

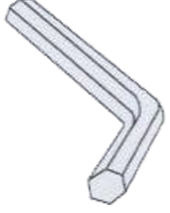
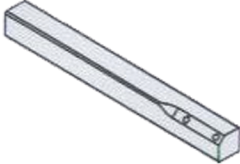


● PARTS LIST	● HARDWARE LIST	● TOOLS REQUIRED
<p>1</p>  <p>X1</p>	<p>A</p>  <p>X8</p>	 <p>X2</p>
<p>2</p>  <p>X4</p>		

LET'S GET STARTED

- First, check the contents to make sure nothing is missing or damaged.
- Sort the parts and fittings as shown.
- Assemble the product step by step.
- Do not fully tighten the screws until the product is fully assembled.
- To avoid damage, rest the product on a soft or cushioned surface.
- We recommend assembling the desk in the room that it will be located.
- When moving the desk, remove any items that may be resting on its surface.
- Avoid over tightening the fasteners.

CARING FOR YOUR WOOD DESIGNS™ PRODUCT

- To clean the wooden top, use a soft cloth moistened in lukewarm soap and water. After cleaning, buff with a dry clean cloth.
- Hold on to these instructions for future reference.

CAUTION

- This product is not intended for, nor is it suitable for standing on.
- Check the stability and security of the product before use.

SAVE YOUR ALLEN KEY

- Periodically check the stability and security of the desk. If necessary, tighten the fasteners to maintain the stability and strength of the product.

