

SARIEL
Bedroom
Assembly Instructions

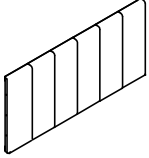
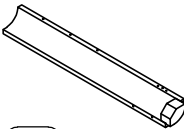








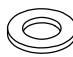
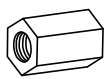

Made in Viet Nam

King Uph Bed

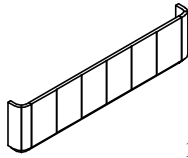
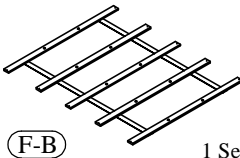
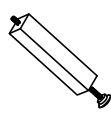
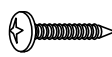
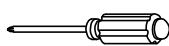
Warning :

- Be sure to check all packing material carefully for small parts, which may have come loose inside the carton during shipment.
- To prevent possible scratches and damage, this furniture **MUST BE ASSEMBLED BY TWO PEOPLE** on a soft surface such as a blanket or carpet.

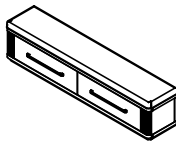
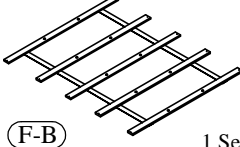
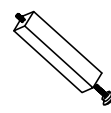
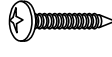
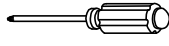
Hardware and Parts packed with the Headboard

<p>87180 - King Uph Shelter Headboard</p>  <p>(H-A) 1 pc.</p>	<p>Headboard Post (Left)</p>  <p>(H-B) 1 pc.</p>	<p>Headboard Post (Right)</p>  <p>(H-C) 1 pc.</p>	<p>Headboard Stretcher</p>  <p>(H-D) 1 pc.</p>	<p>Allen Head Bolt ø5/16"-18 x 3-1/4"</p>  <p>(H-E) 6 pcs.</p>	<p>Spring Washer ø5/16"</p>  <p>(H-F) 8 pcs.</p>	
<p>Flat Washer ø5/16" x 19*2mm</p>  <p>(H-G) 6 pcs.</p>	<p>Allen Key 5mm</p>  <p>(H-H) 1 pc.</p>	<p>All-Thread Bolt ø5/16"-18 x 3-1/2"</p>  <p>(H-I) 2 pcs.</p>	<p>Curved Washer ø5/16"</p>  <p>(H-J) 2 pcs.</p>	<p>Flat Washer ø5/16" x 16*2mm</p>  <p>(H-K) 2 pcs.</p>	<p>Nut ø5/16 x L17</p>  <p>(H-L) 2 pcs.</p>	<p>Open Wrench 13mm</p>  <p>(H-M) 1 pc.</p>

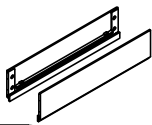




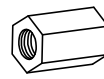

Hardware and Parts packed with the Footboard

<p>87181- King Shelter Footboard</p>  <p>(F-A1) 1 pc.</p>	<p>Wood Slat 78-1/2" long</p>  <p>(F-B) 1 Set.</p>	<p>Support Leg 5-3/4" x 1-1/4" x 1-1/4"</p>  <p>(F-C) 10 pcs.</p>	<p>Wood Screw #8 x 1"</p>  <p>(F-D) 10 pcs.</p>	<p>Screw Driver not included</p> 
---	--	---	---	--

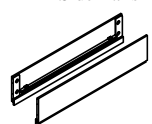




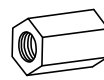

Hardware and Parts packed with the Storage Footboard

<p>87183- King Uph Storage Footboard</p>  <p>(F-A2) 1 pc.</p>	<p>Wood Slat 78-1/2" long</p>  <p>(F-B) 1 Set.</p>	<p>Support Leg 5-3/4" x 1-1/4" x 1-1/4"</p>  <p>(F-C) 10 pcs.</p>	<p>Wood Screw #8 x 1"</p>  <p>(F-D) 10 pcs.</p>	<p>Screw Driver not included</p> 
--	---	--	--	--

Hardware and Parts packed with the Bed Rail

<p>87172 Panel Side Rails</p>  <p>(R-A1) 2 pcs.</p>	<p>All-Thread Bolt ø5/16"-18 x 3-1/2"</p>  <p>(R-B) 8 pcs.</p>	<p>Curved Washer ø5/16"</p>  <p>(R-C) 8 pcs.</p>	<p>Flat Washer ø5/16" x 16*2mm</p>  <p>(R-D) 8 pcs.</p>	<p>Spring Washer ø5/16"</p>  <p>(R-E) 8 pcs.</p>	<p>Nut ø5/16 x L17</p>  <p>(R-F) 8 pcs.</p>	<p>Open Wrench 13mm</p>  <p>(R-G) 1 pc.</p>
--	---	---	--	--	--	--

Hardware and Parts packed with the Bed Rail

<p>87174 Panel Side Rails</p>  <p>(R-A2) 2 pcs.</p>	<p>All-Thread Bolt ø5/16"-18 x 3-1/2"</p>  <p>(R-B) 8 pcs.</p>	<p>Curved Washer ø5/16"</p>  <p>(R-C) 8 pcs.</p>	<p>Flat Washer ø5/16" x 16*2mm</p>  <p>(R-D) 8 pcs.</p>	<p>Spring Washer ø5/16"</p>  <p>(R-E) 8 pcs.</p>	<p>Nut ø5/16 x L17</p>  <p>(R-F) 8 pcs.</p>	<p>Open Wrench 13mm</p>  <p>(R-G) 1 pc.</p>
--	---	---	--	--	--	--

King Bed

- 87180 -- King Uph Shelter Headboard
- 87181 -- King Shelter Footboard
- 87172 -- Queen-King Side Rails

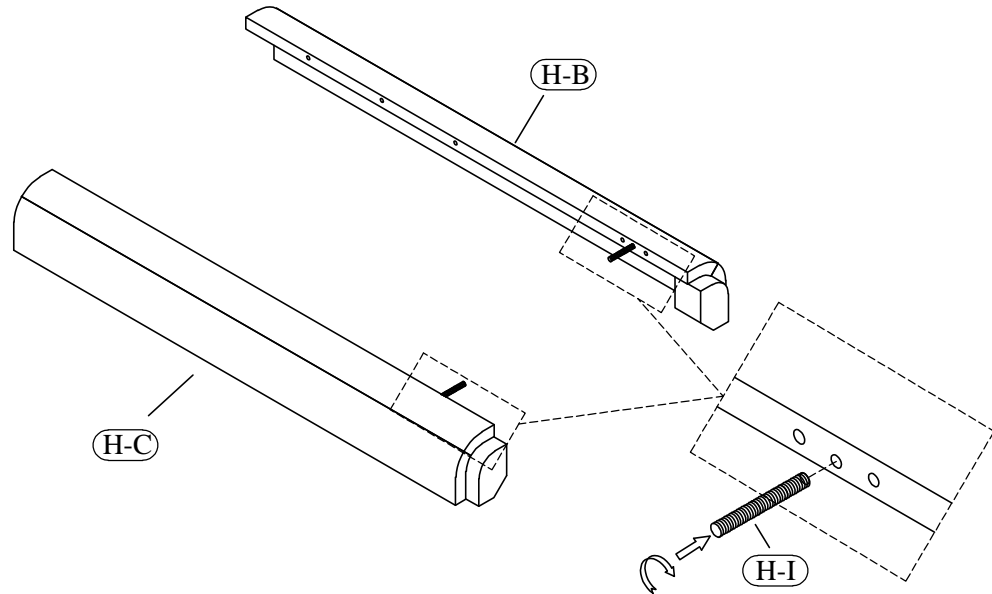
King Storage Bed

- 87180 -- King Uph Shelter Headboard
- 87183 -- King Uph Storage Footboard
- 87174 -- Queen-King Side Rails

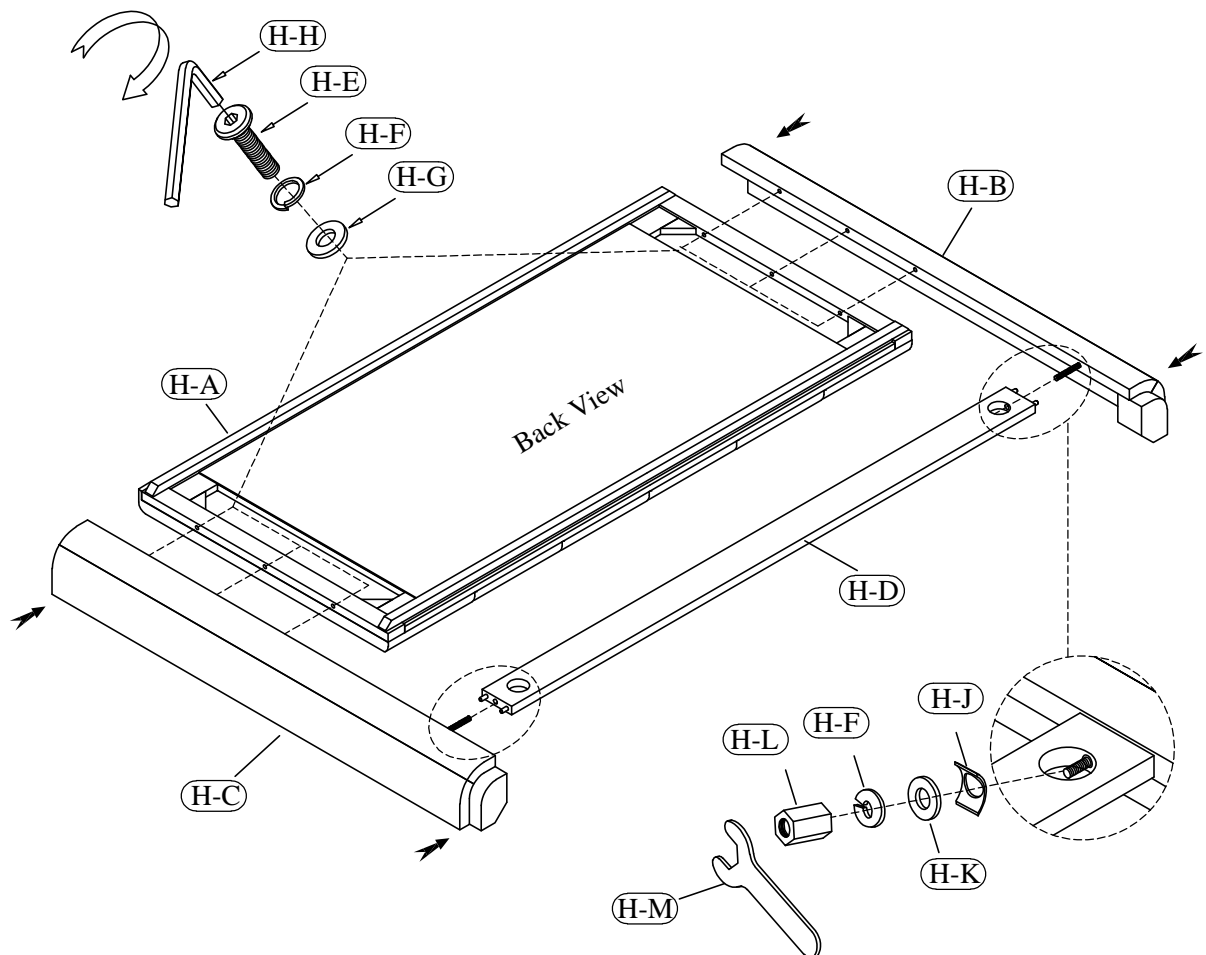
King Bed

87180 -- King Uph Shelter Headboard

STEP 1



STEP 2

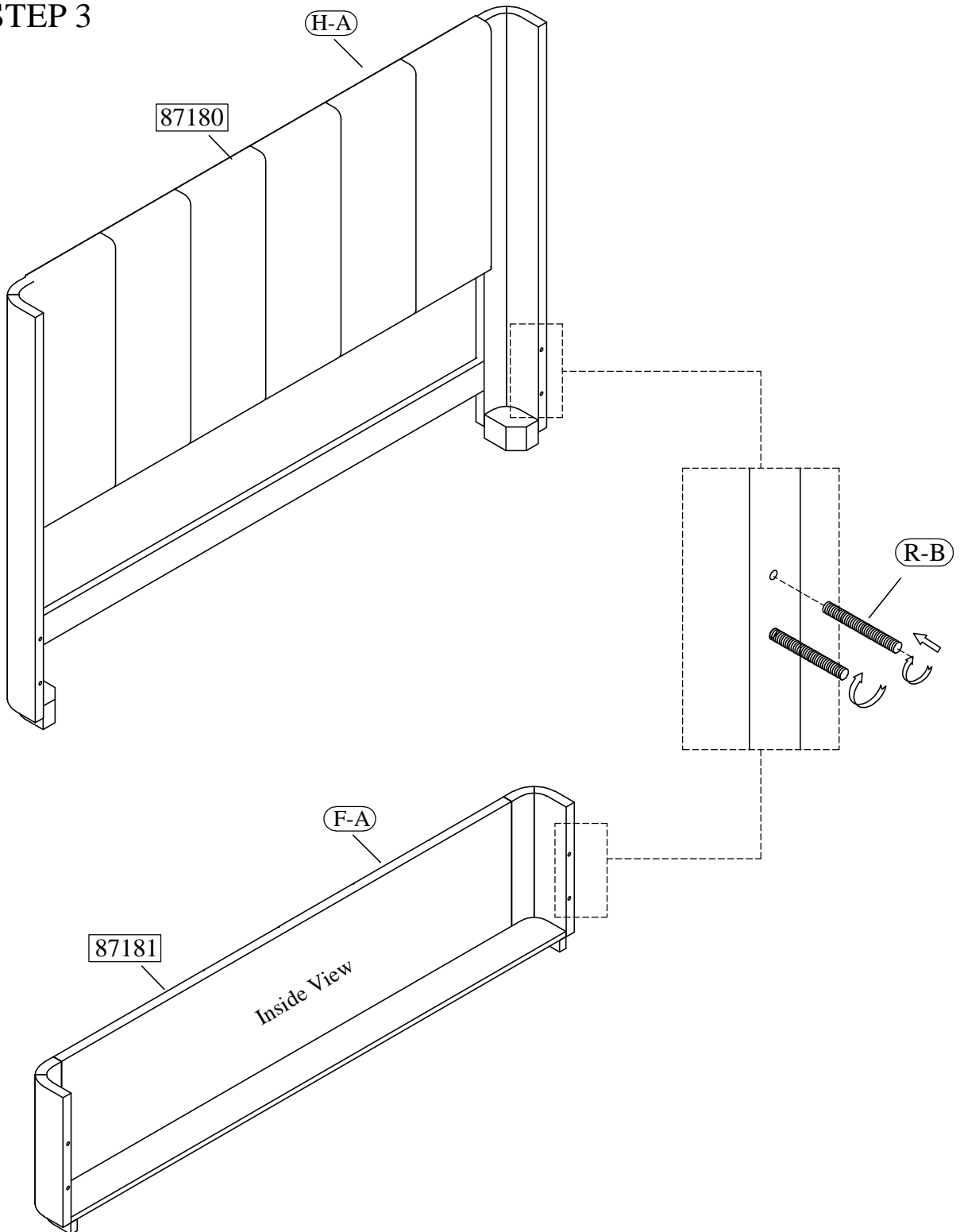


King Bed

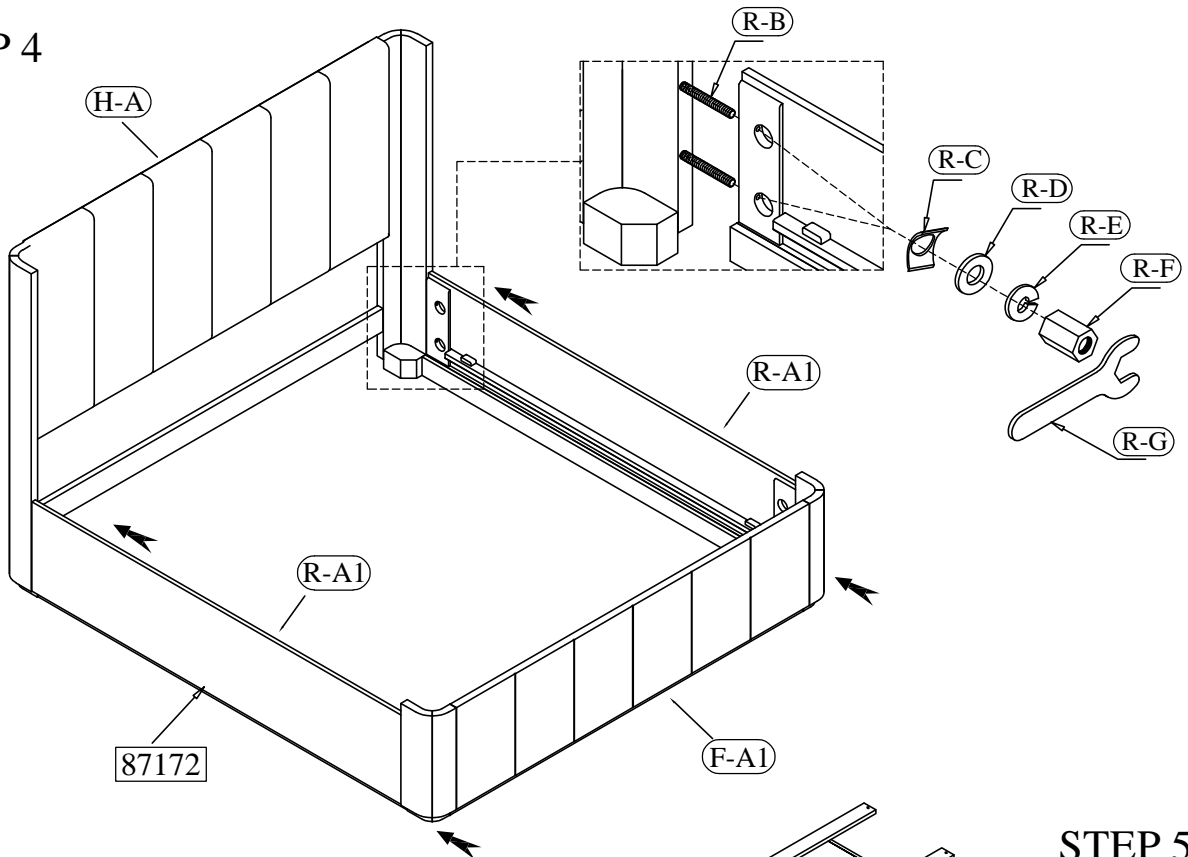
87180 -- King Uph Shelter Headboard

87181 -- King Shelter Footboard

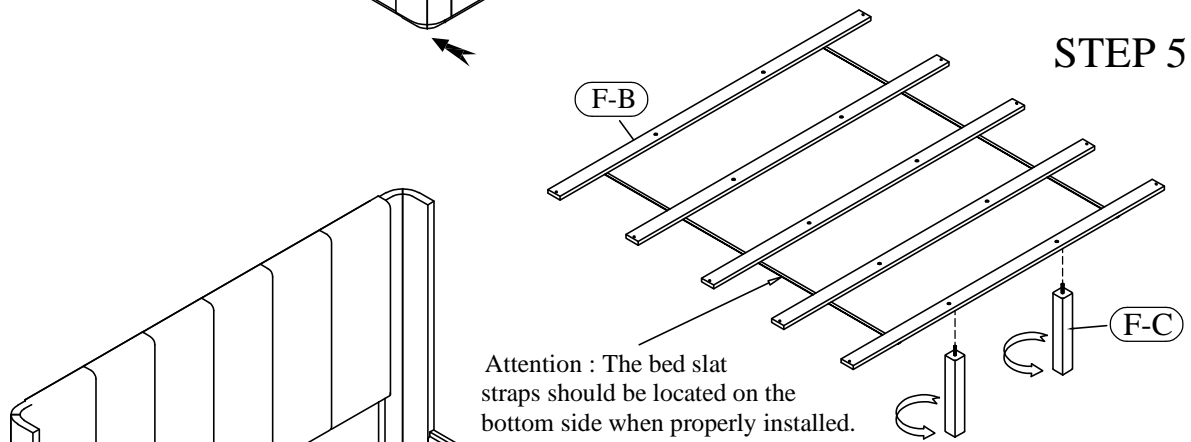
STEP 3



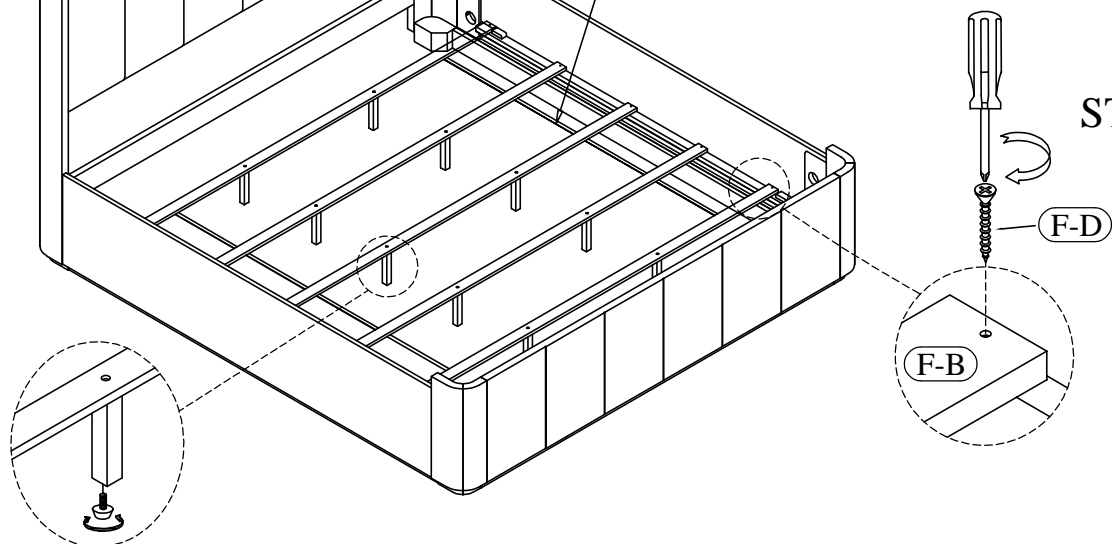
STEP 4



STEP 5



STEP 6



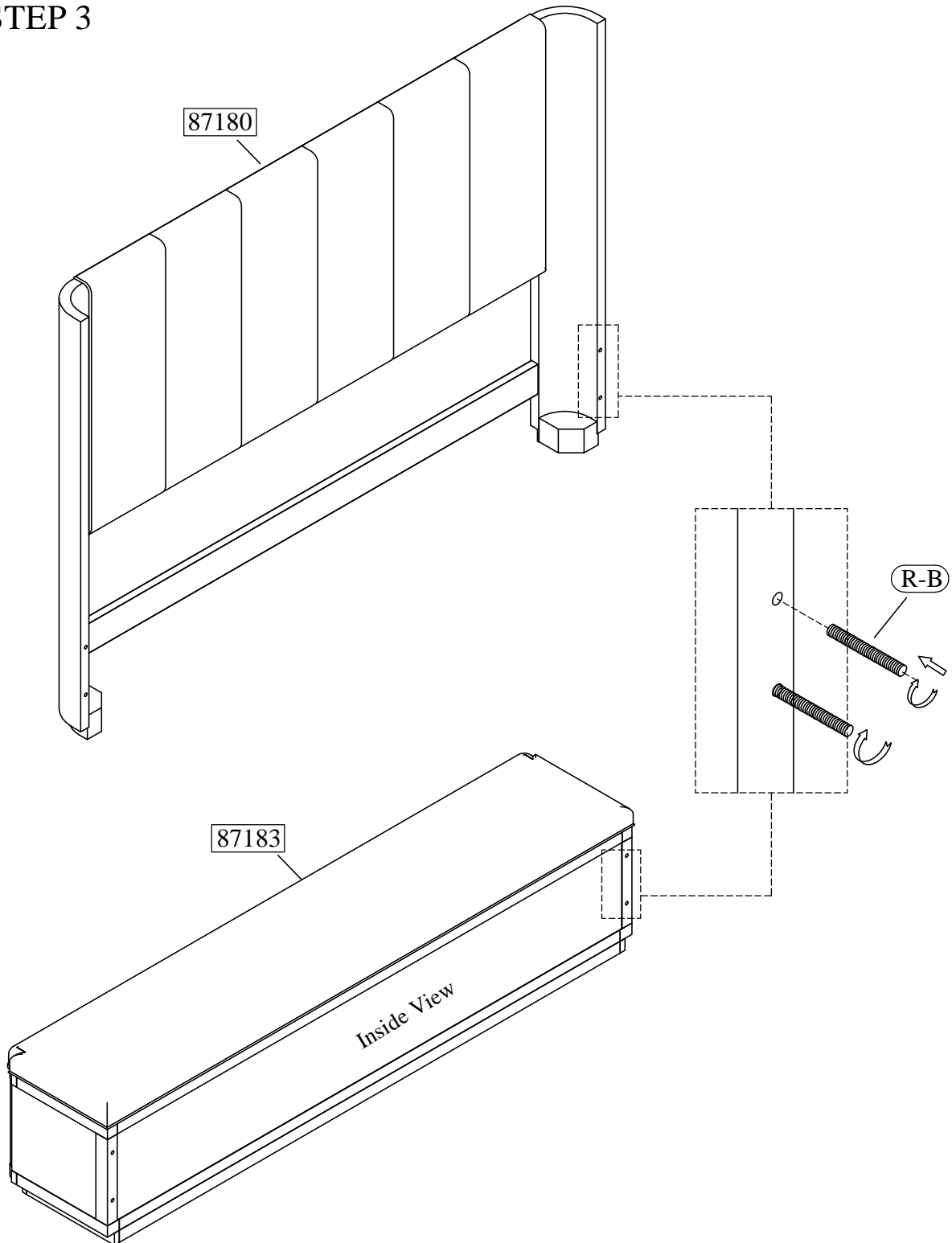
Adjustable Leveler

King Bed

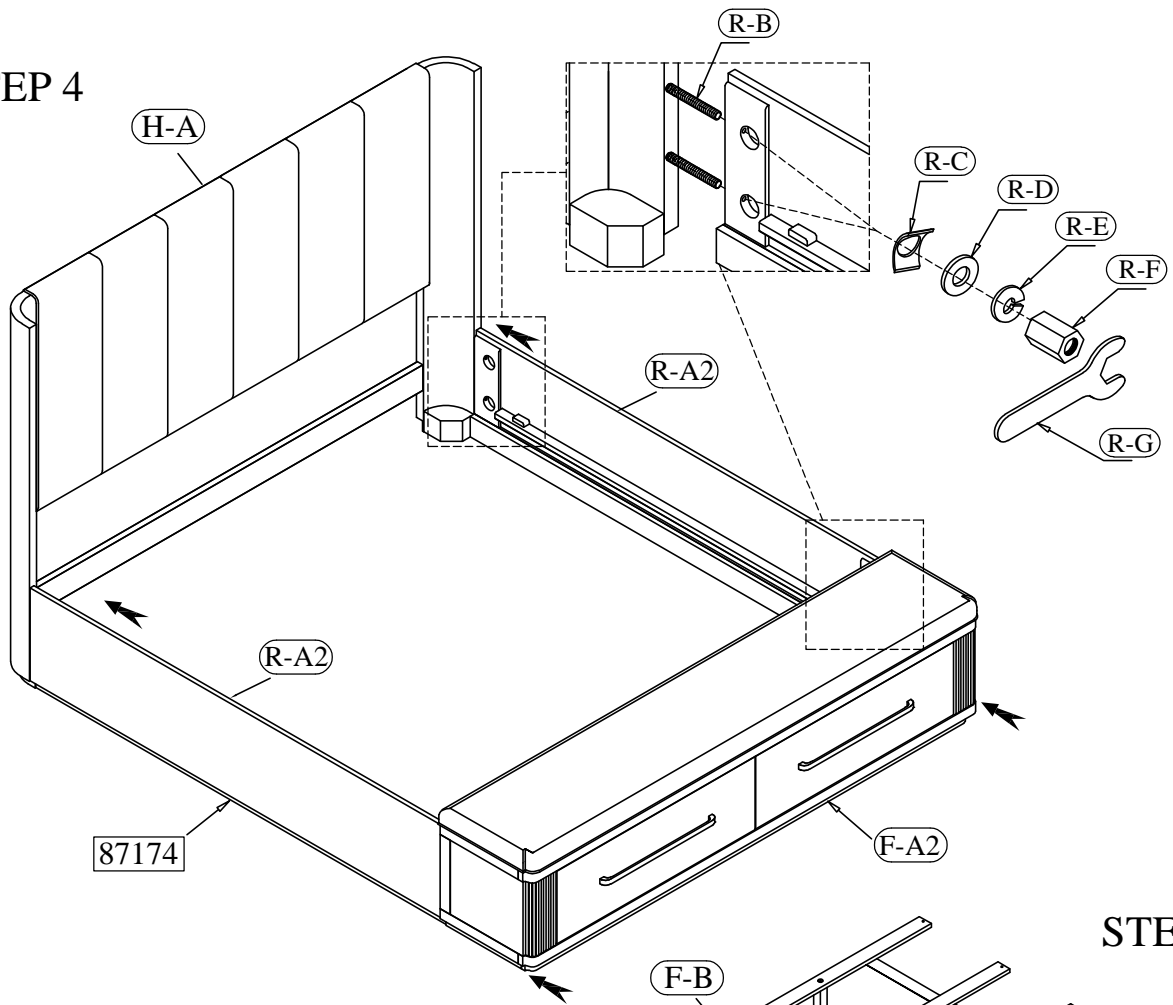
87180 -- King Uph Shelter Headboard

87183 -- King Uph Storage Footboard

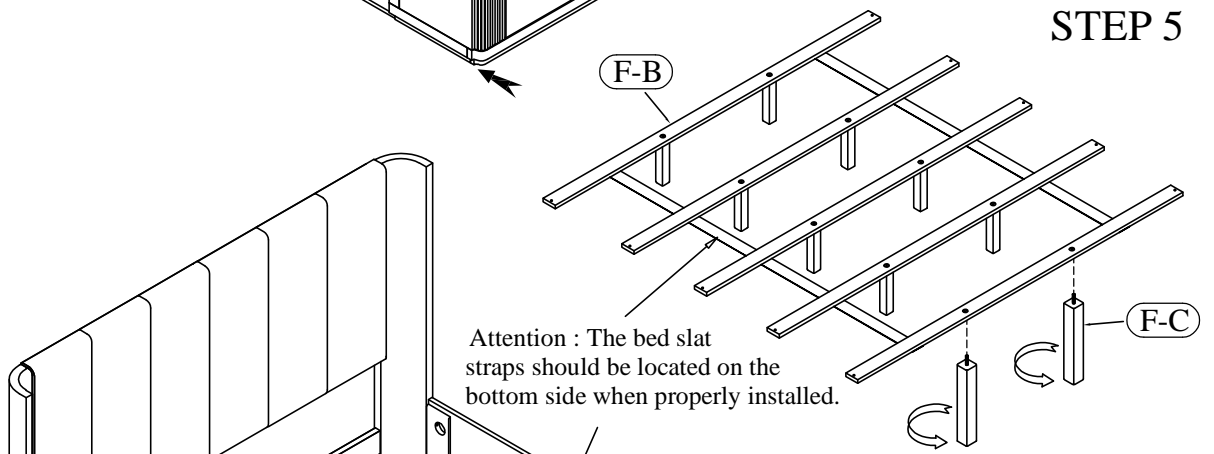
STEP 3



STEP 4



STEP 5



STEP 6

