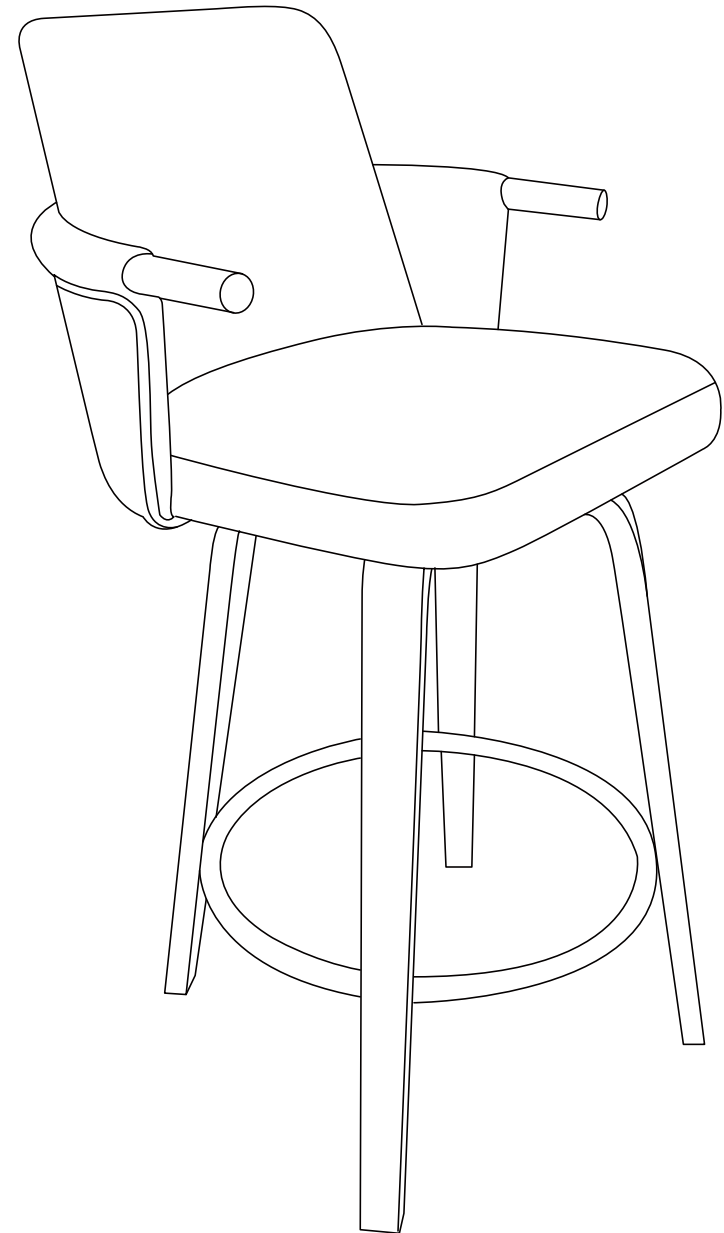


# ASSEMBLY INSTRUCTIONS



[www.artleon.com](http://www.artleon.com)

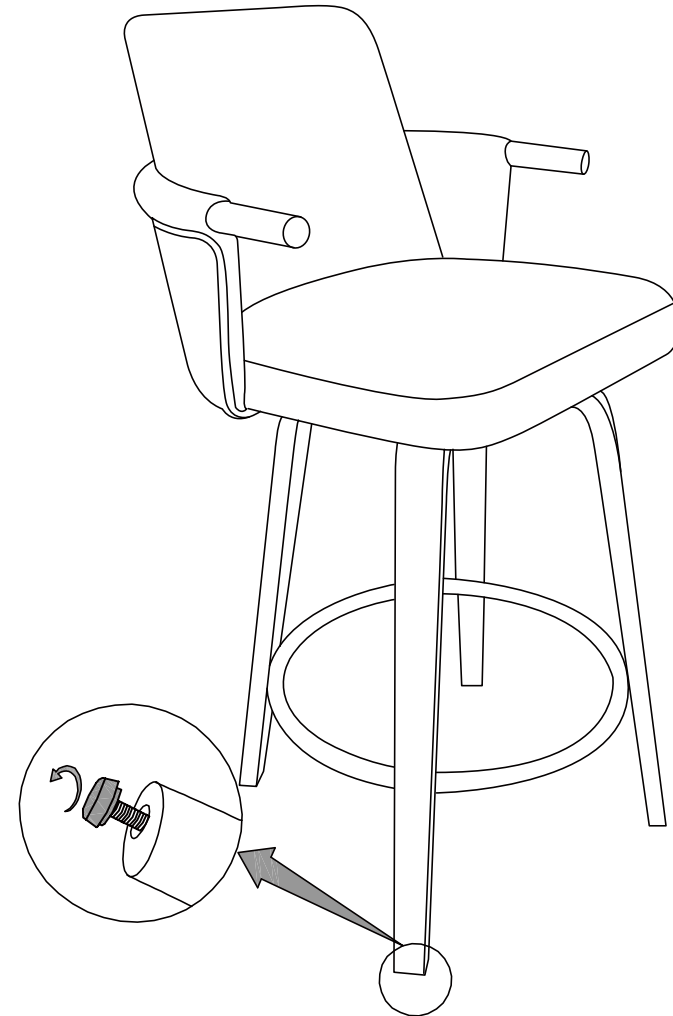
Email: [hello@artleon.com](mailto:hello@artleon.com)

16000 Phoebe Avenue La Mirada, CA 90638

7



If you feel that the chair is not balance you can adjust the foot nails to level according to your needs.

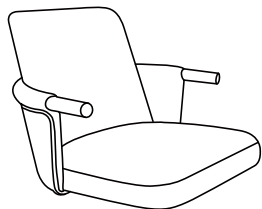


**Be sure to keep spare parts.**

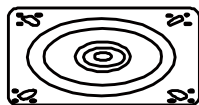
If screws or nails of a product are damaged or lost, or screws or nails of a subsequent product are damaged or aged, spare parts can be used to replace them.

# SPARE PARTS

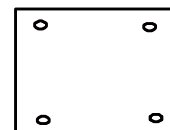
---



A×1



B×1

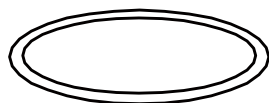


C×1

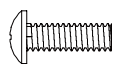


D×4

---

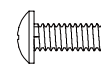


E×1



M6\*30MM

F×4 + 1EXT



M6\*20MM

G×10 + 1EXT



M6\*16MM

H×2 + 1EXT

---



I×2



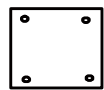
M6

J×1

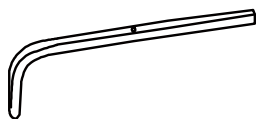


K×1

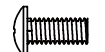
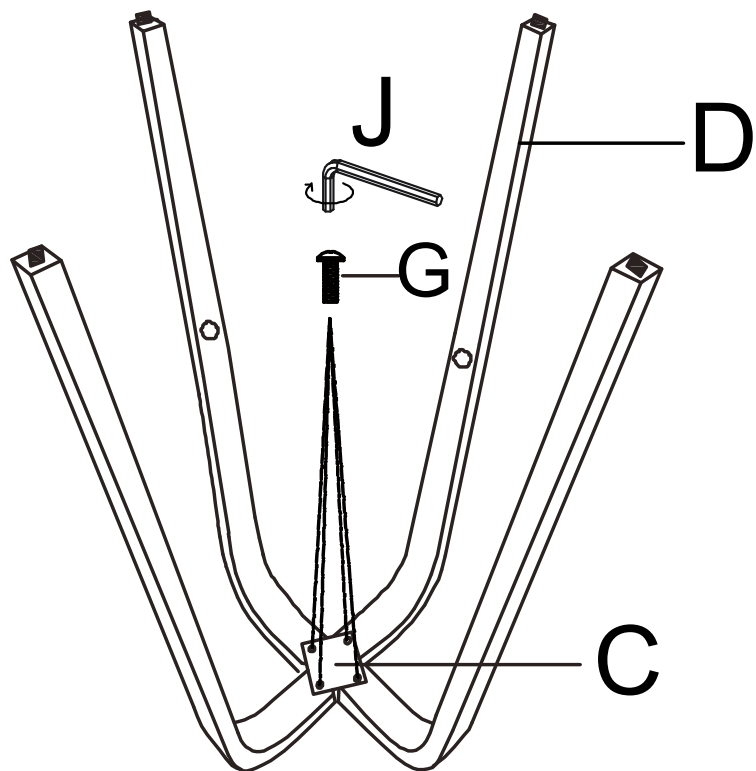
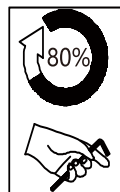
---

**1**

C×1



D×4

M6\*20MM  
G×4M6  
J×1

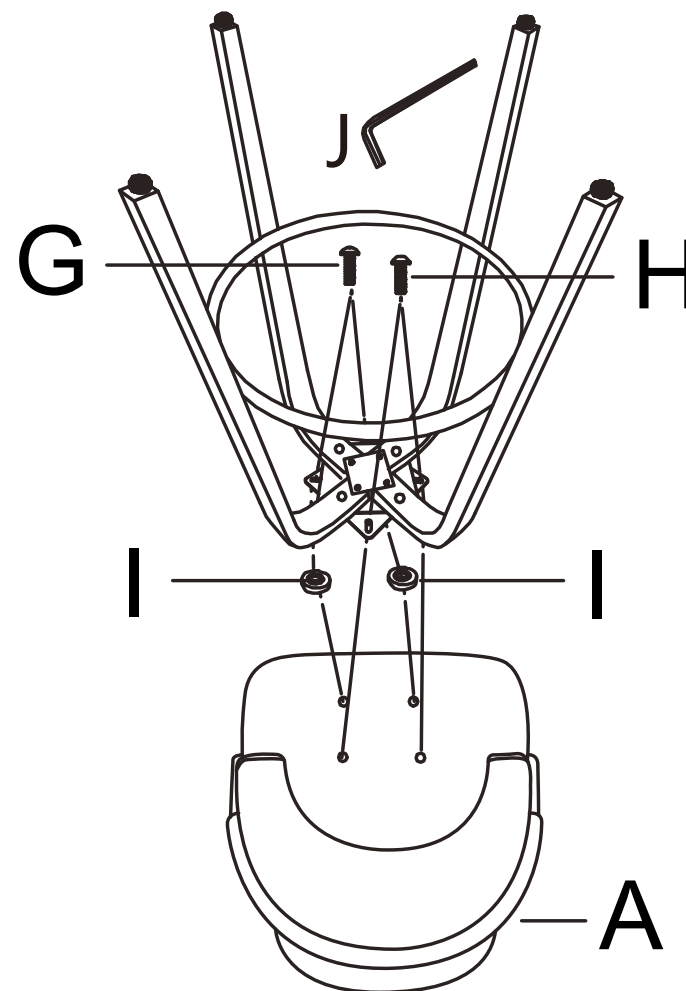
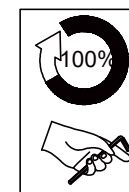
Install the 4 screws G to 50% in sequence.  
After all the four screws are installed,tighten them to 80%.

**6**

A×1


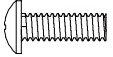

M6\*20MM  
G×2M6\*16MM  
H×2

I×2

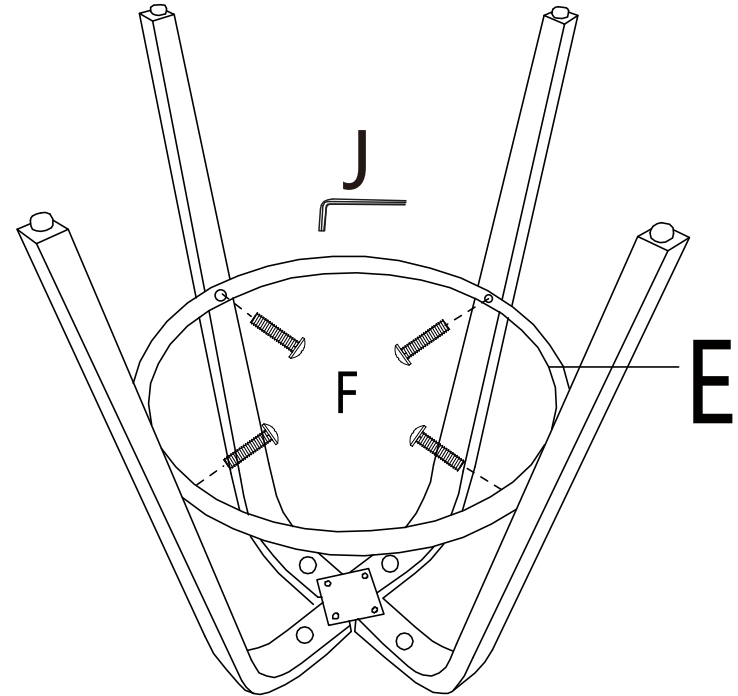
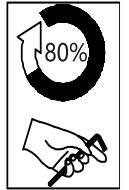
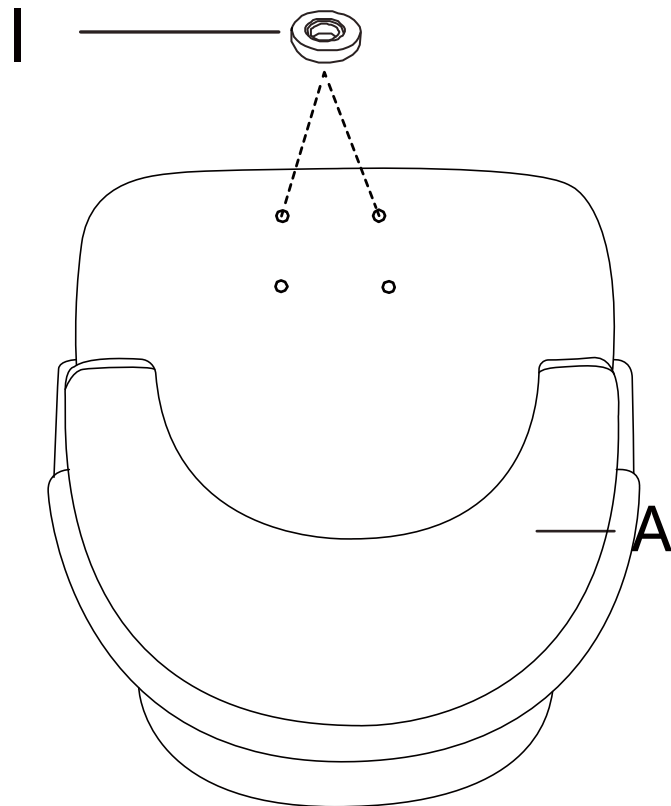
M6  
J×1

Install the 4 screws G and H to 50% in sequence.  
After all the four screws are installed,tighten them to 100%.

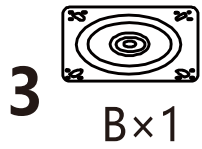
**5**   
I×2

**2**  E×1  
**M6\*30MM**  F×4  
**M6**  J×1

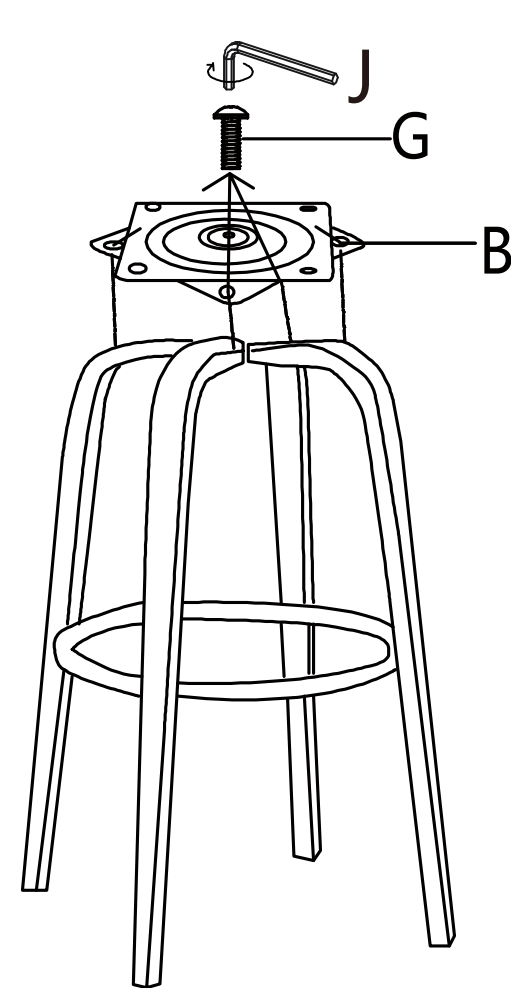
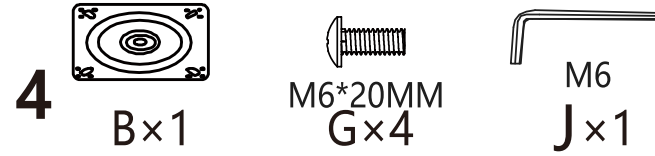
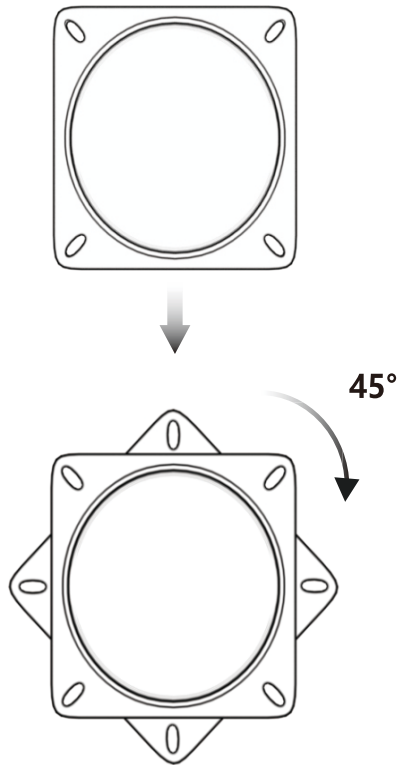
**Note:Accessories I should be placed at the front end,not at the back end**



**Install the 4 screws F to 50% in sequence.  
After all the four screws are installed,tighten them to 80%.**



**Note:When installing the turntable, please rotate the turntable 45 degrees.**



**Install the 4 screws G to 50% in sequence.  
After all the four screws are installed,tighten them to 100%.**

**Fasten All screws indicate on Step 1& Step2.**