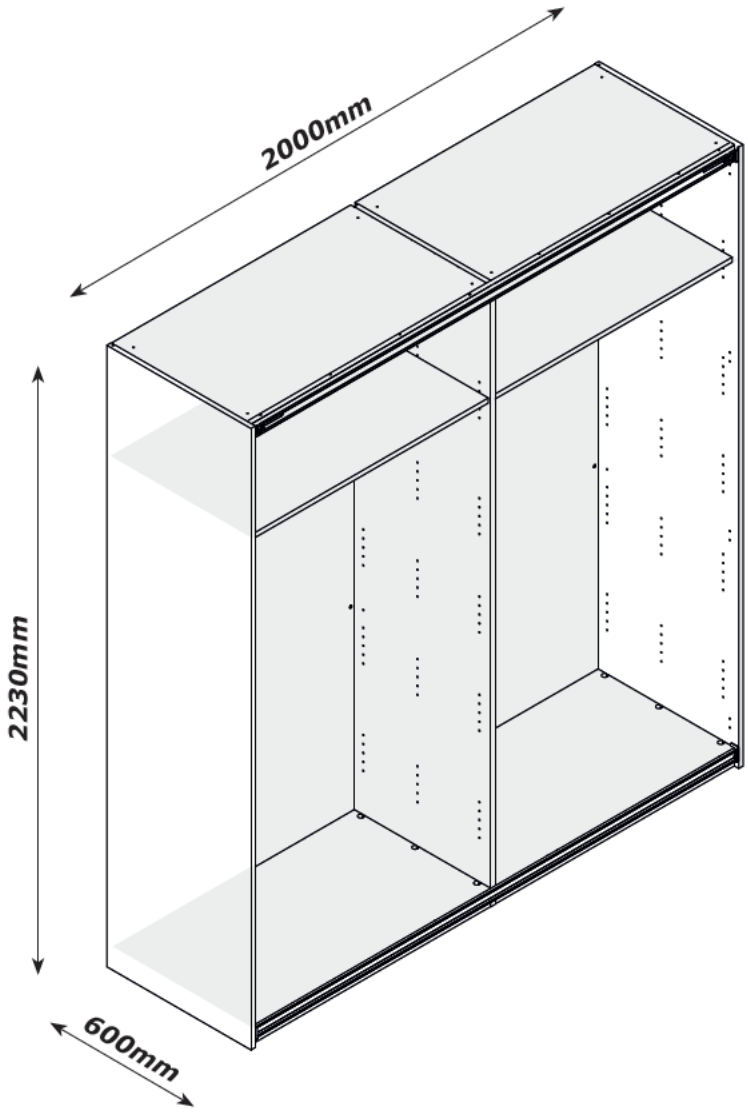
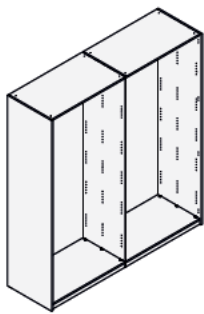
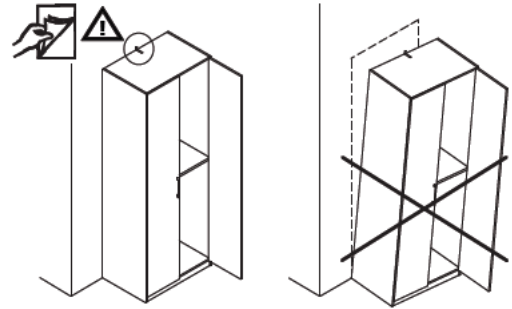
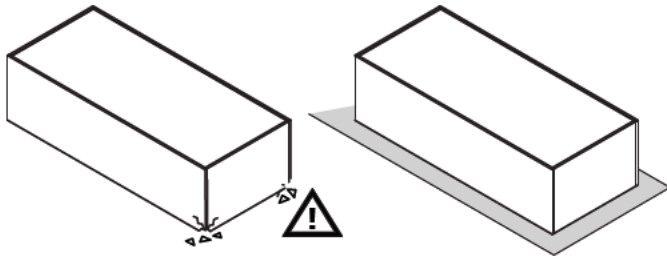
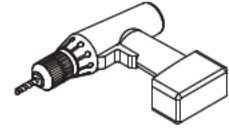
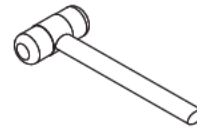
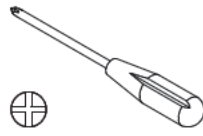


2x AN





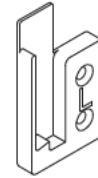
K183 x1
L. 1996mm



K184 x1
L. 1996mm



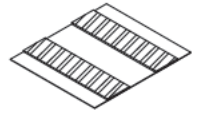
W604 x2
L. 982mm



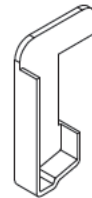
h x1
30x6x53mm



i x1
30x6x53mm



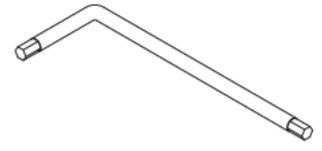
j x1
9x35x0,5mm



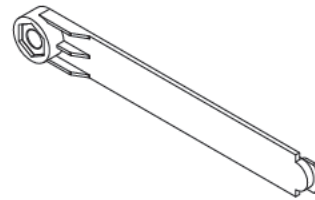
k x1
32,5x9x51,5mm



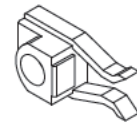
l x1
32,5x9x51,5mm



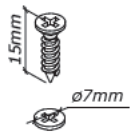
H176
x1



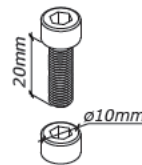
m x2
118x9,5x15mm



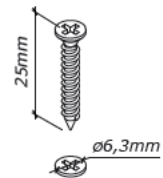
n x2
42x15x21mm



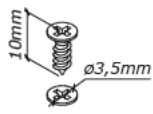
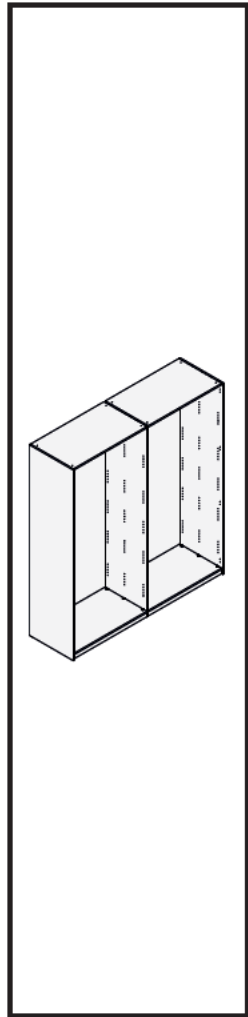
V5
x14



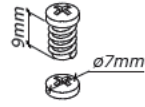
V188
x2



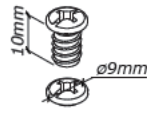
V119
x10



V87
x8



V71
x12



V175
x24



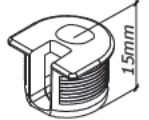
R34
x4



R5
x12



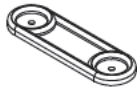
H289
x6



T127
x24



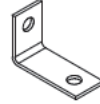
T69
x12



P16
x6



H15
x12



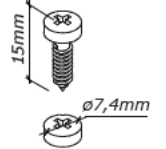
H141
x8



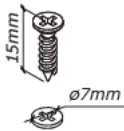
T53
x6



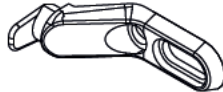
T129
x12



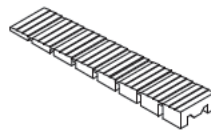
V81
x4



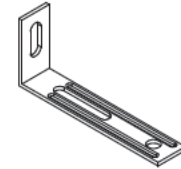
V5
x6



H322
x8



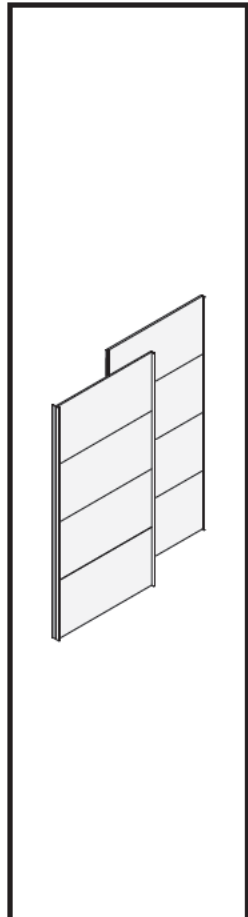
P17
x2



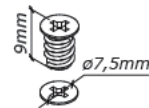
H185
x2



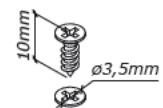
H129
x4



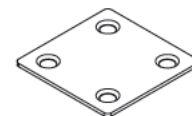
H203 x1
L. 2170mm



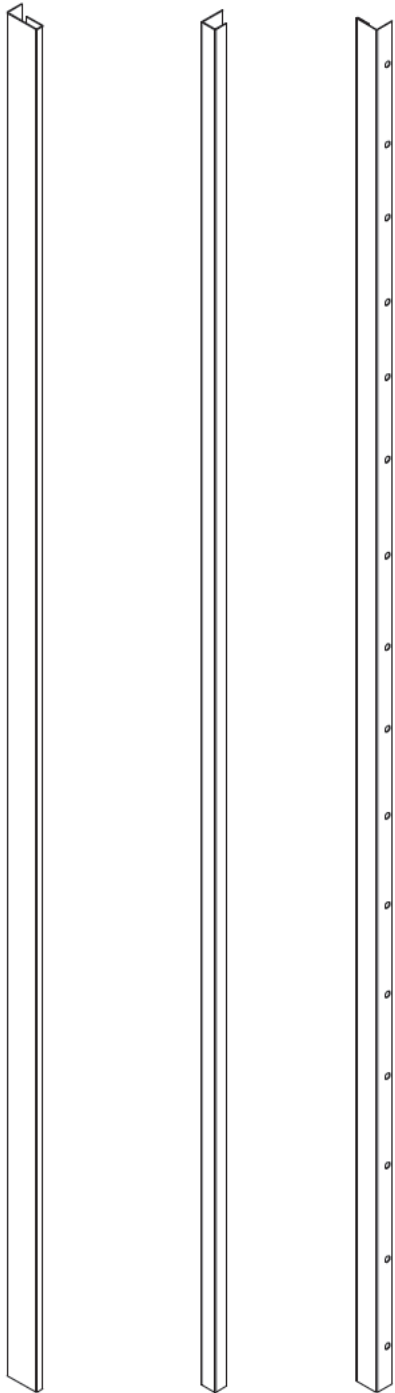
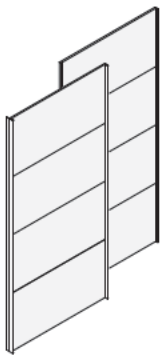
V102
x88



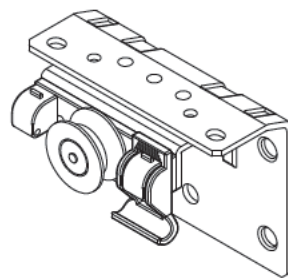
V87
x32



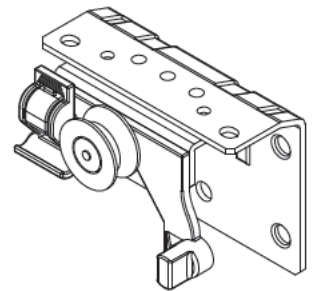
W498
x12



M224 x3 L. 2178mm **M226** x1 L. 2178mm **W614** x1 L. 2178mm



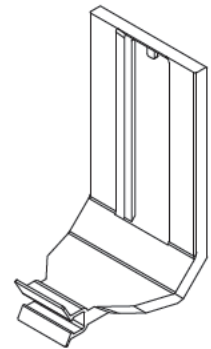
a x1
80x51x60mm



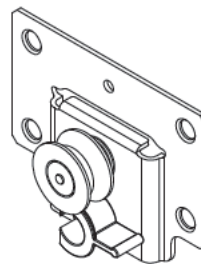
b x1
80x51x60mm



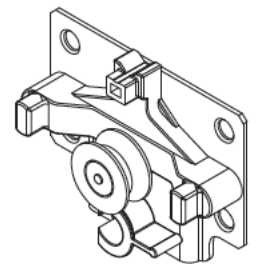
c x4
21x5x49mm



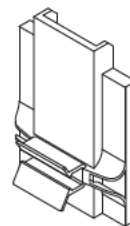
d x2
44x48x84mm



e x1
80x22x60mm



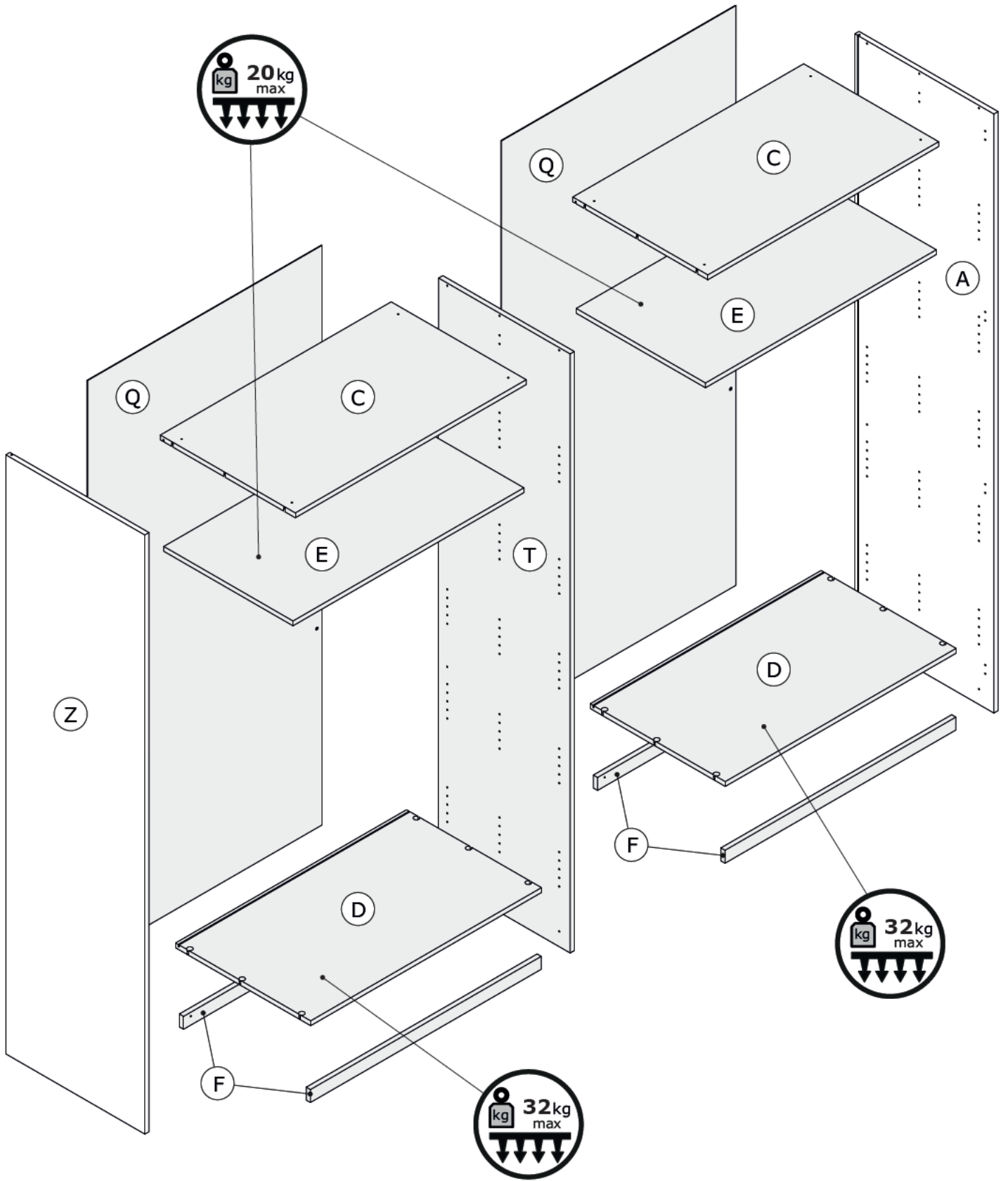
f x1
80x22x62mm

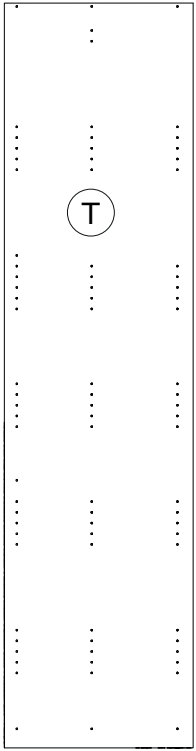


g x2
44x19x60mm

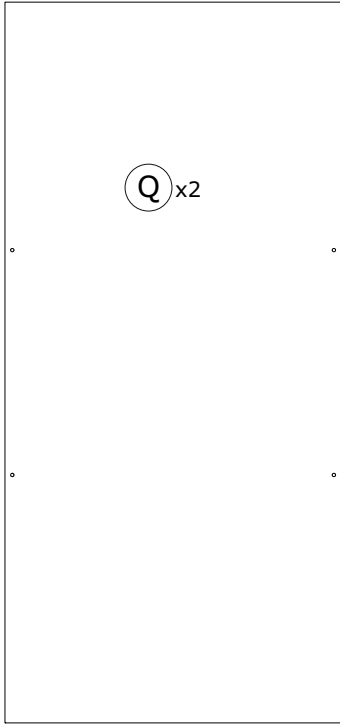


V187
X24

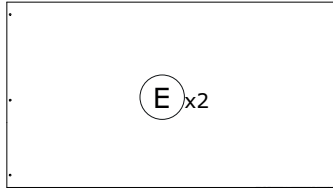




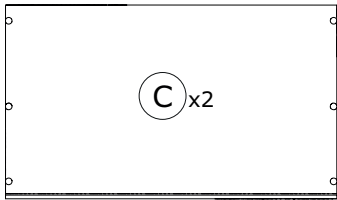
2226x564x18mm



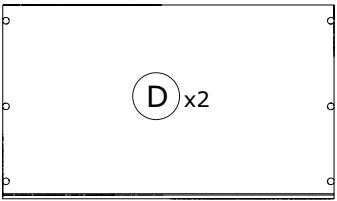
2154x1005x2,3mm



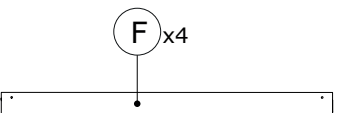
990x554x18mm



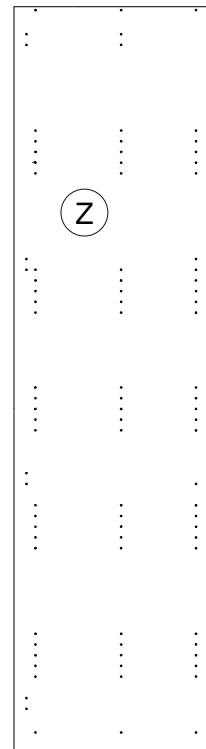
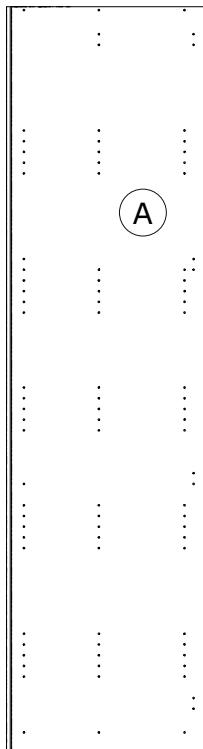
990x579x18mm



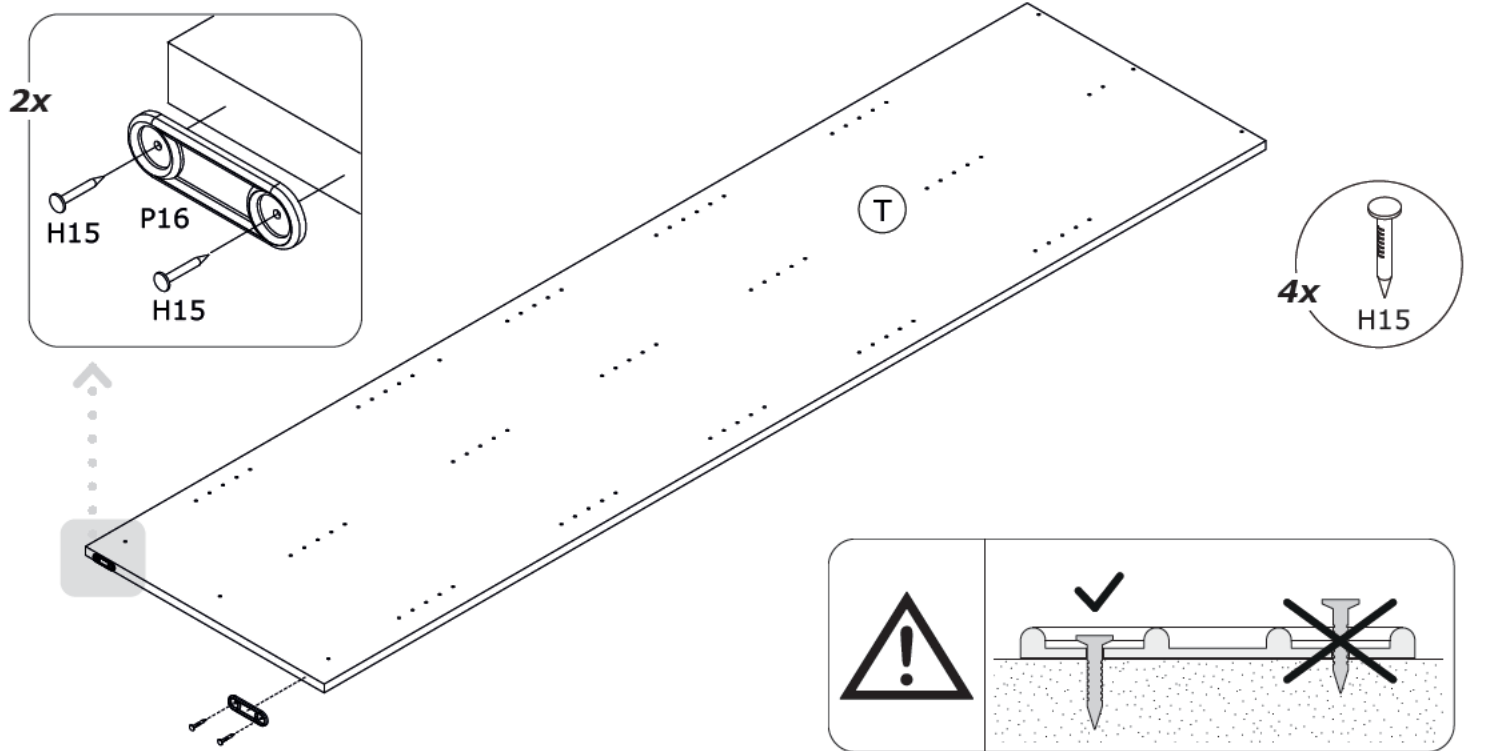
990x579x18mm



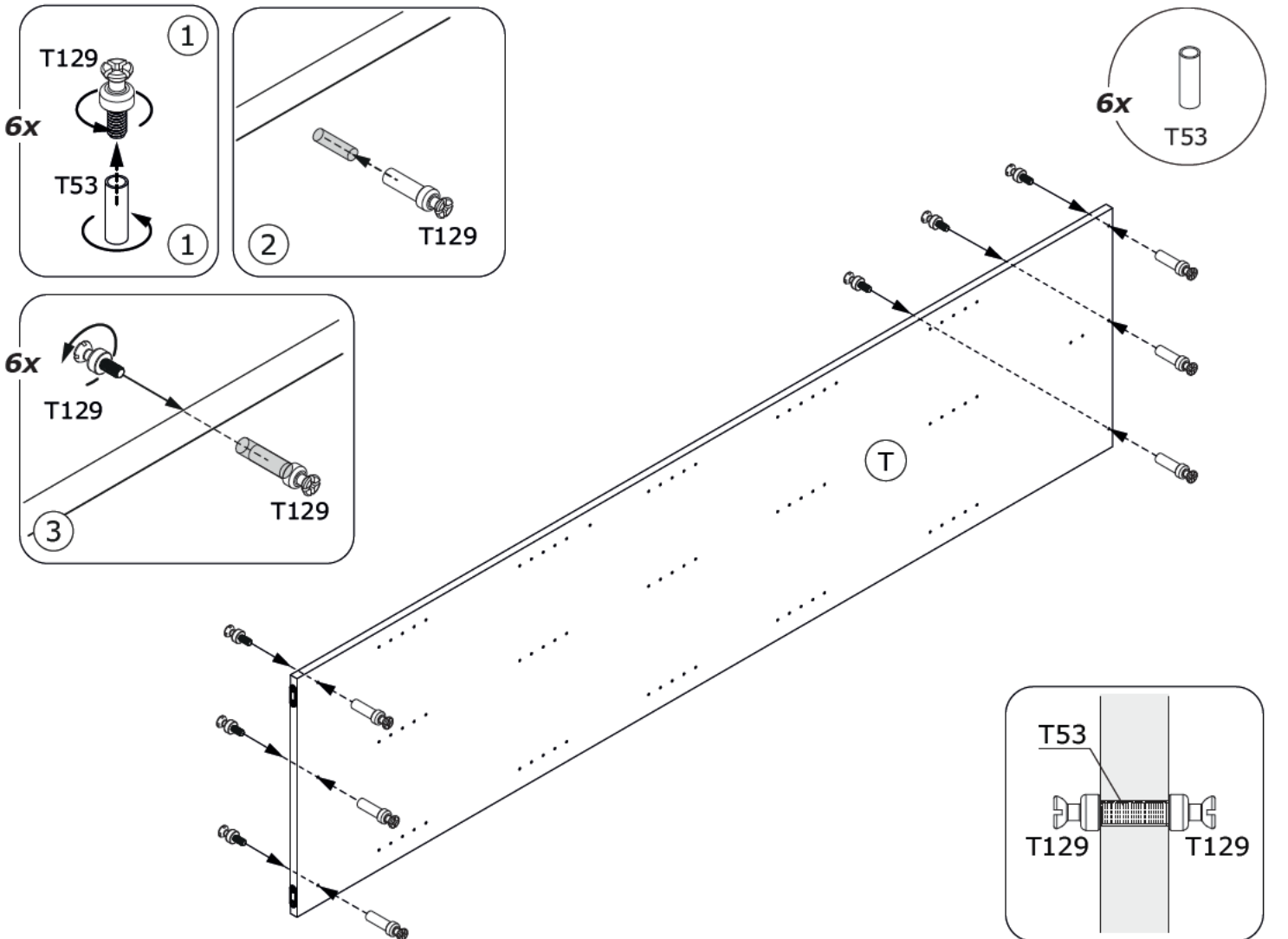
990x48x18mm



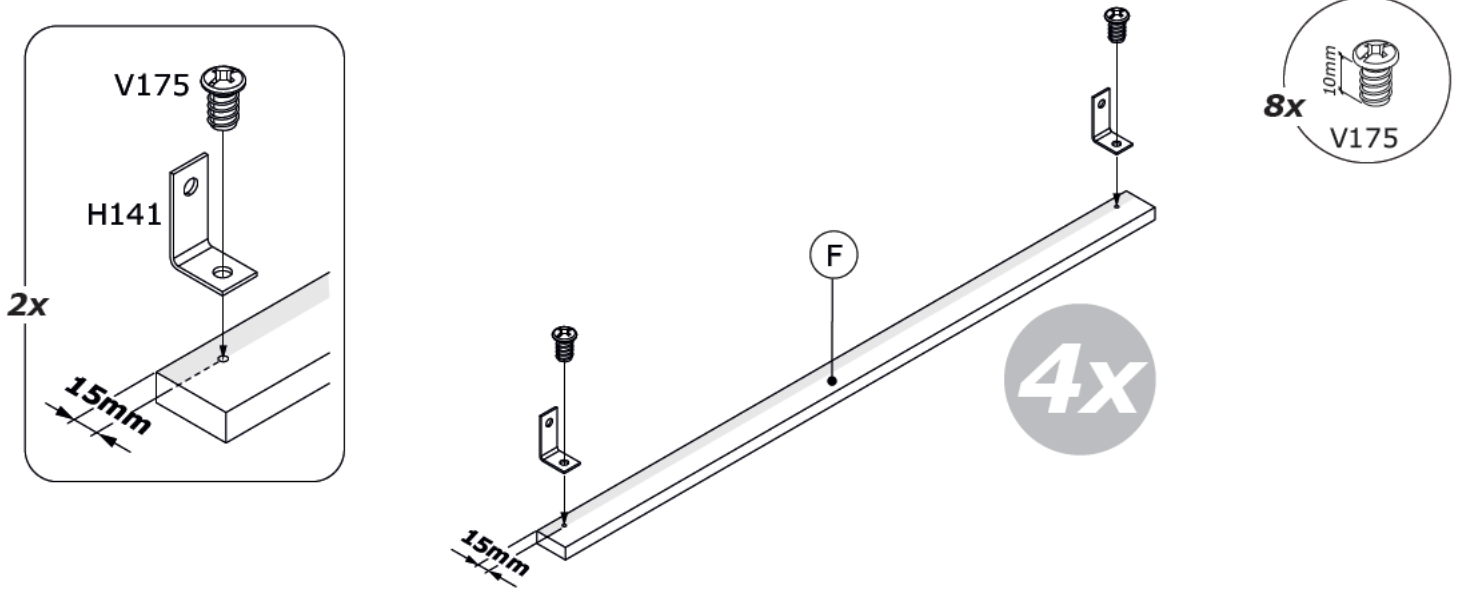
1



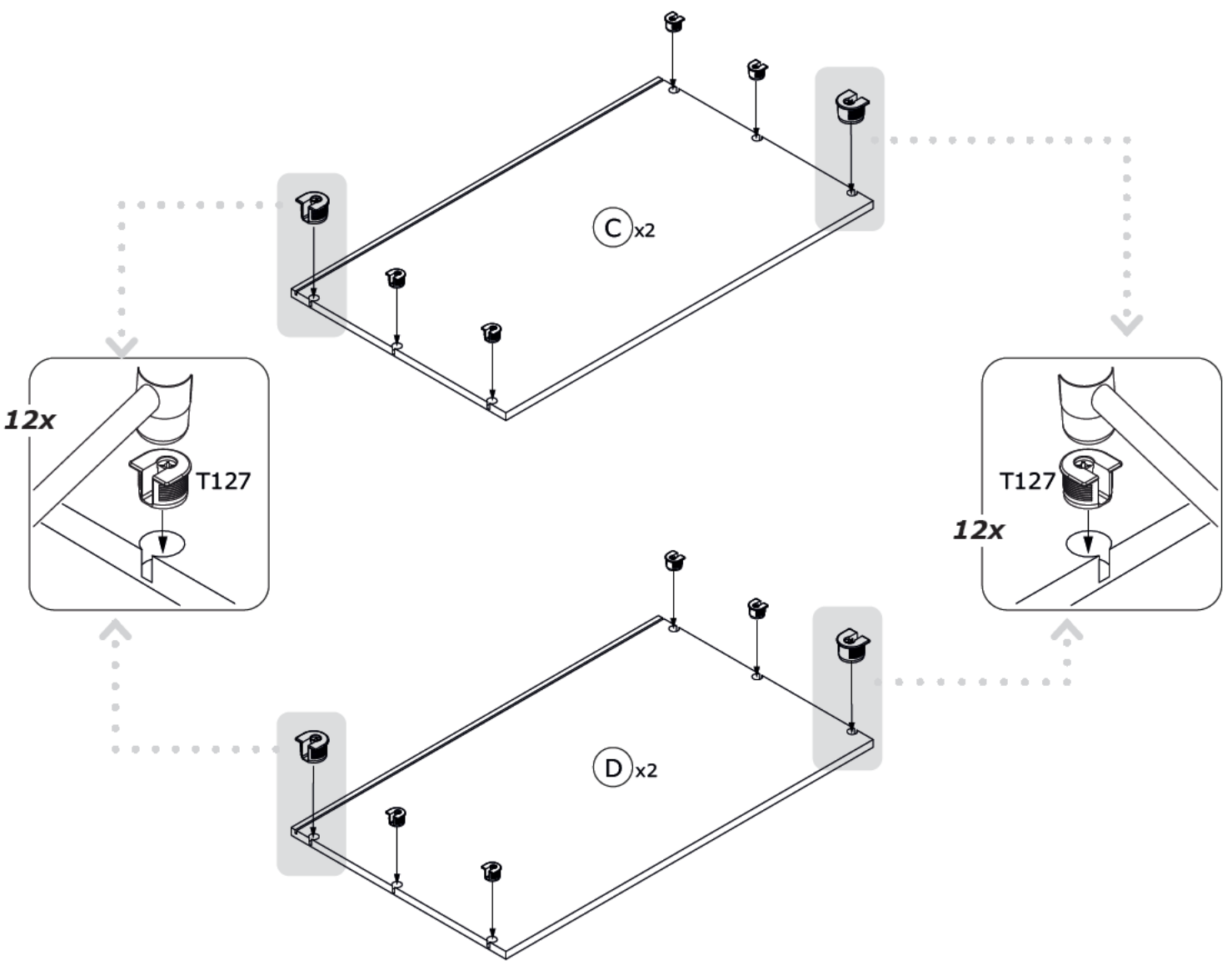
2



4

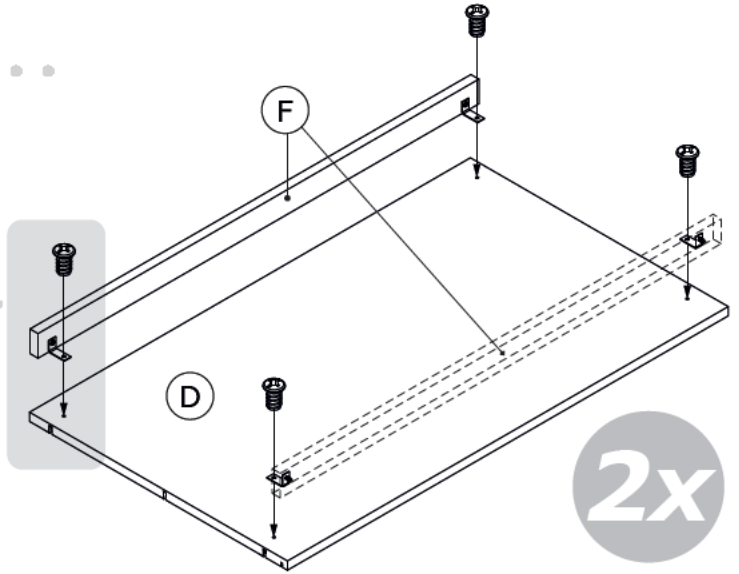
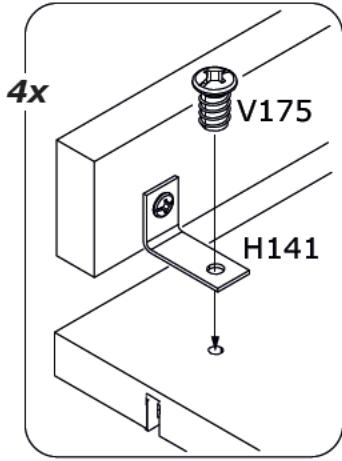
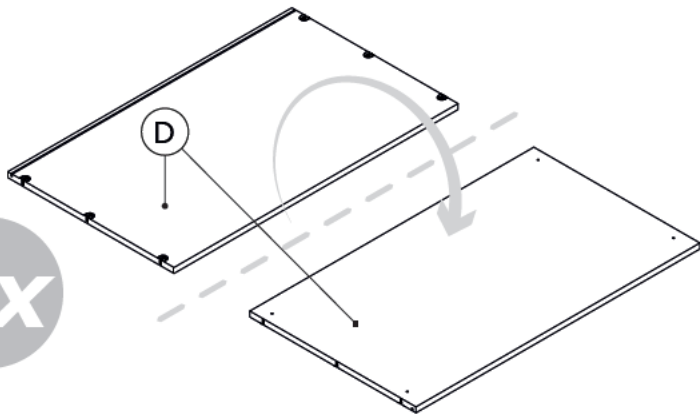


3



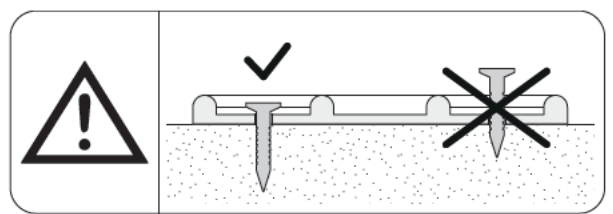
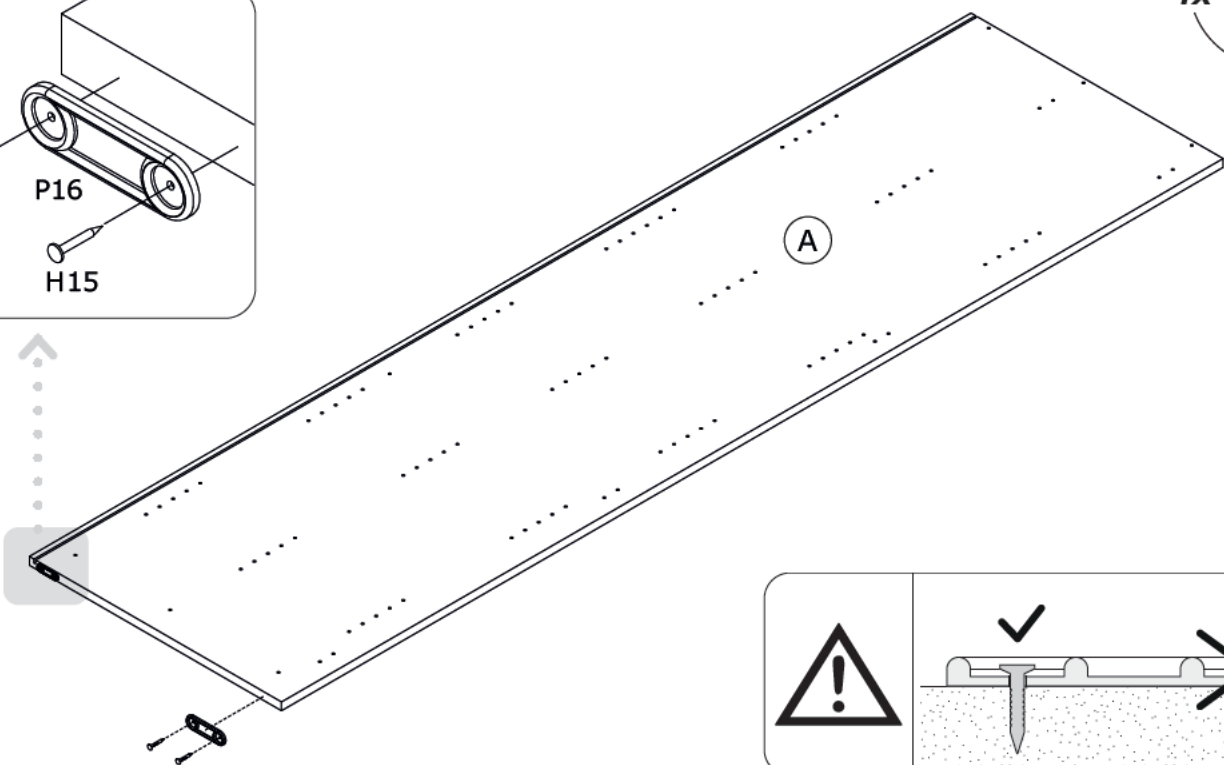
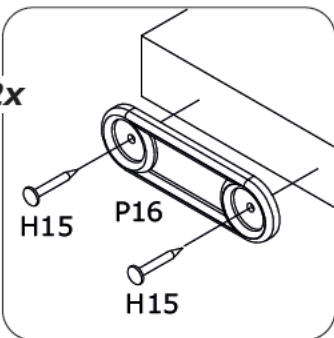
5

2x

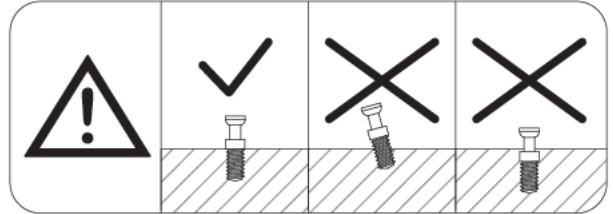
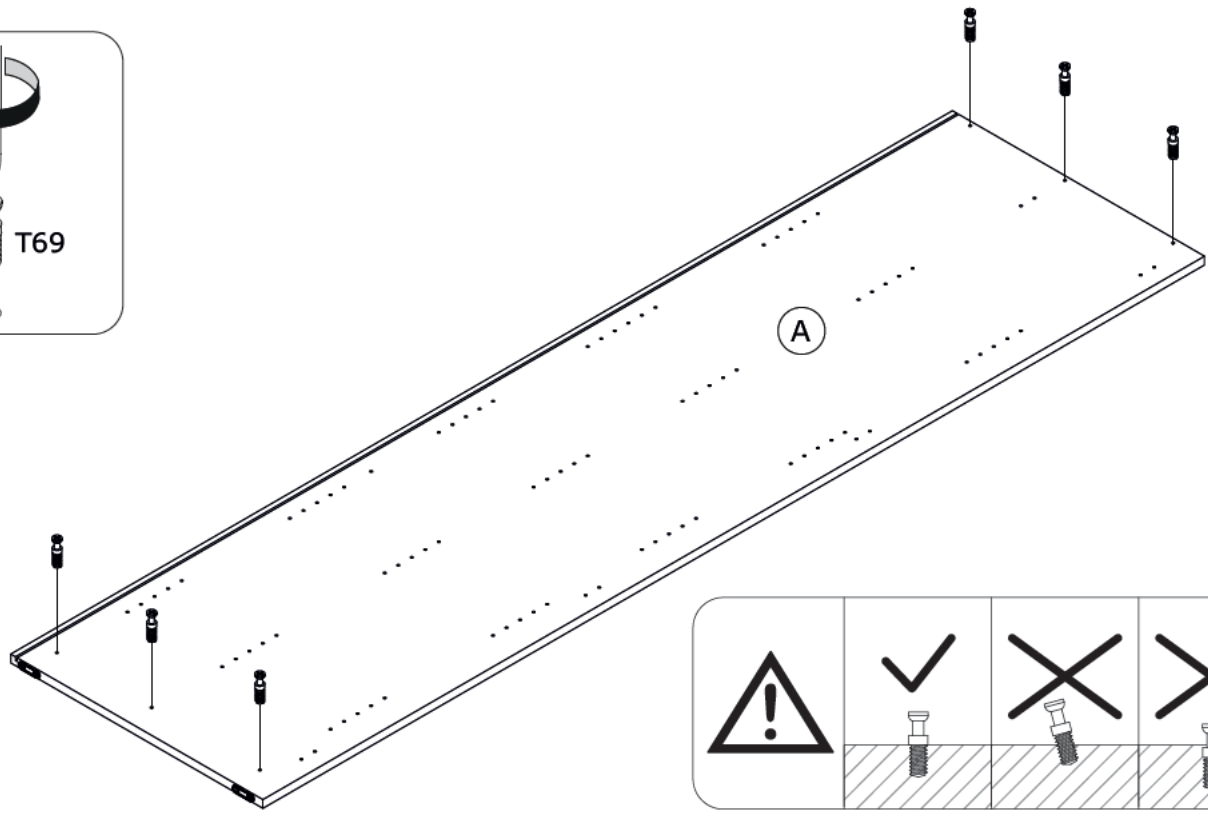
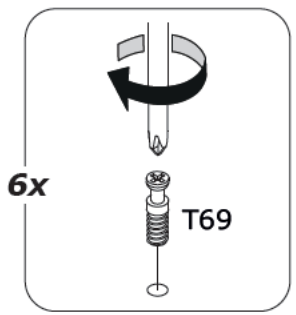


6

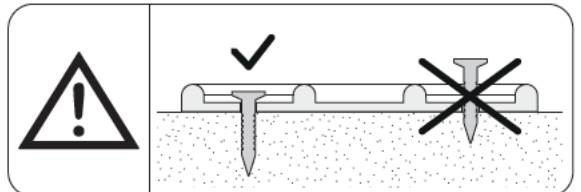
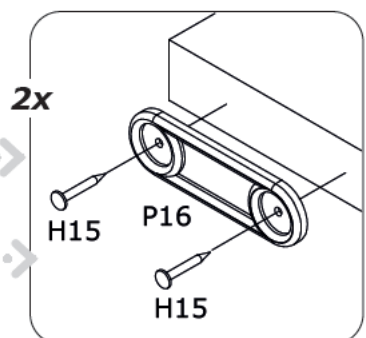
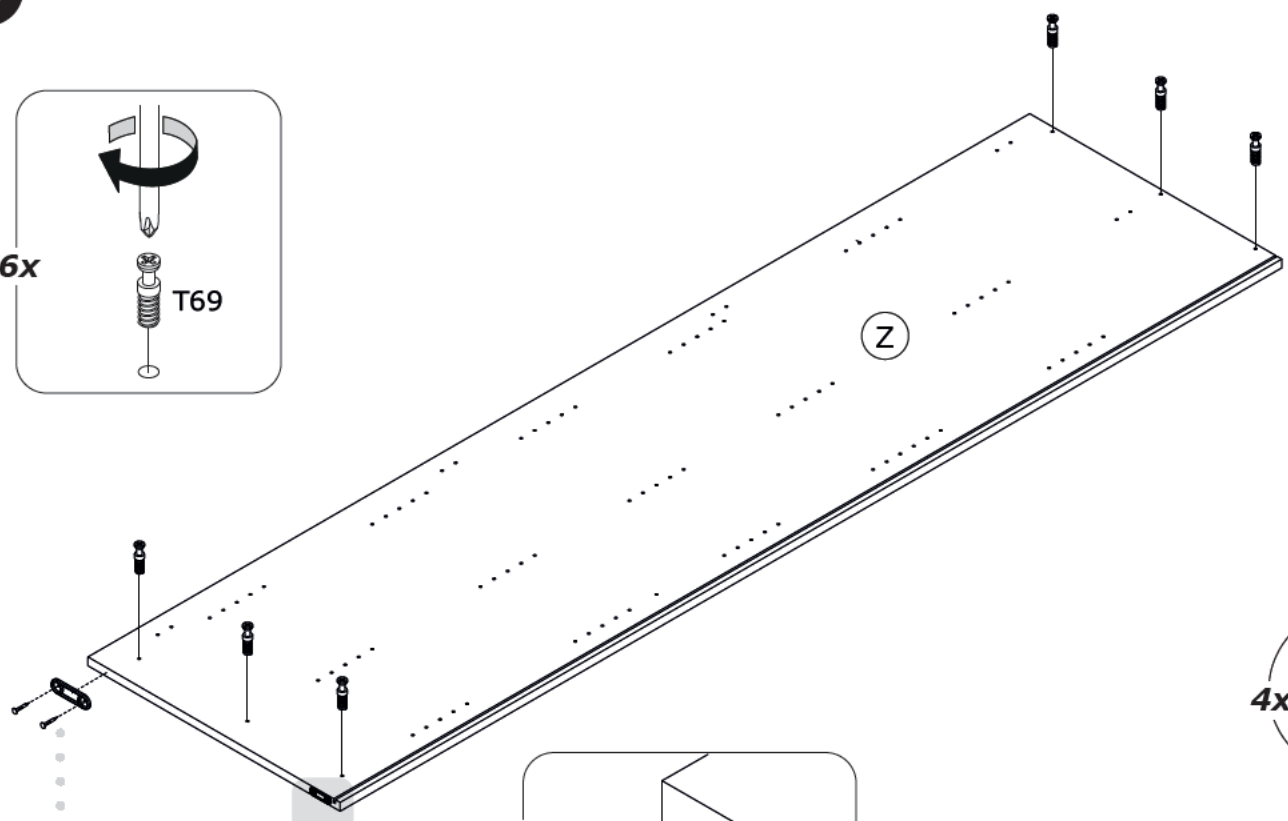
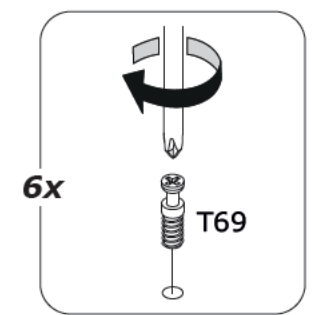
2x



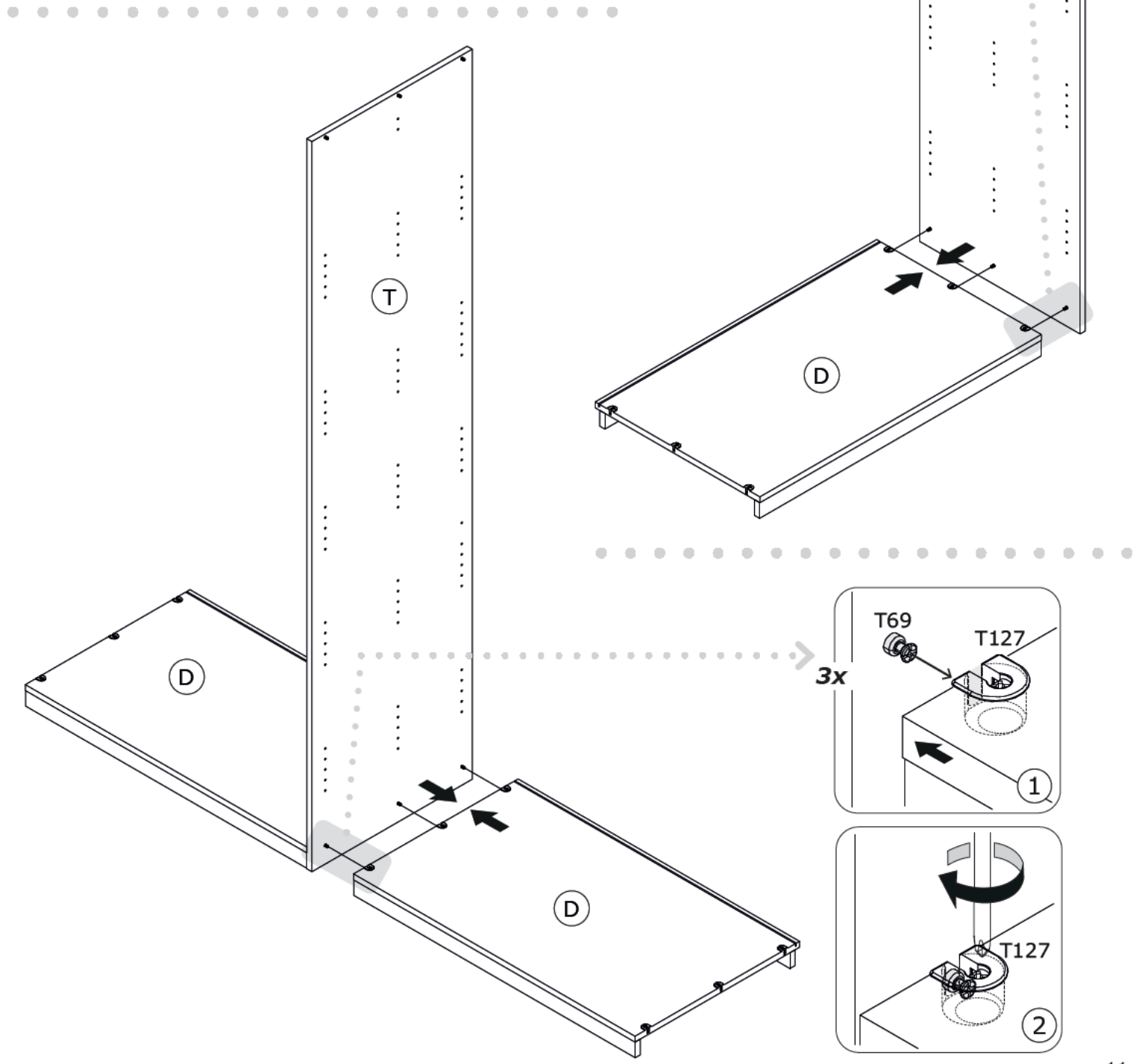
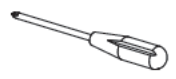
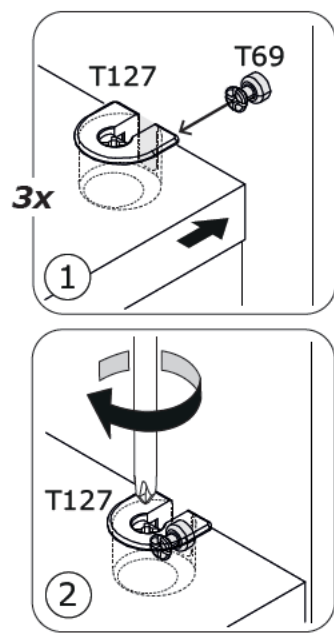
7

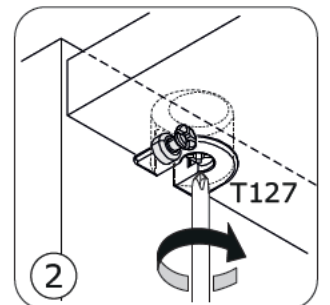
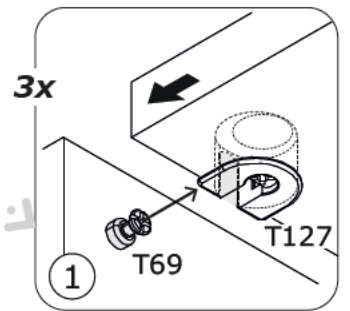
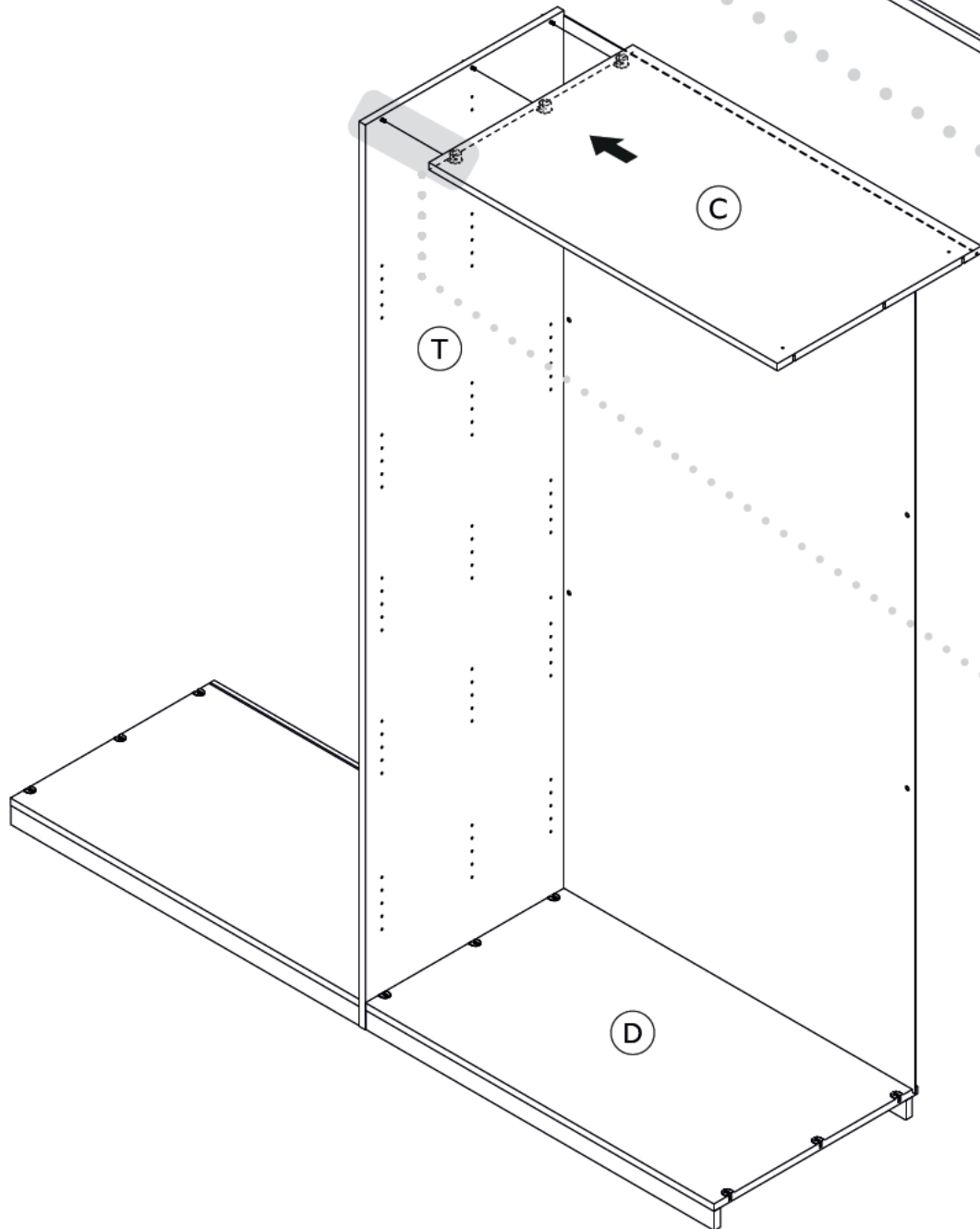
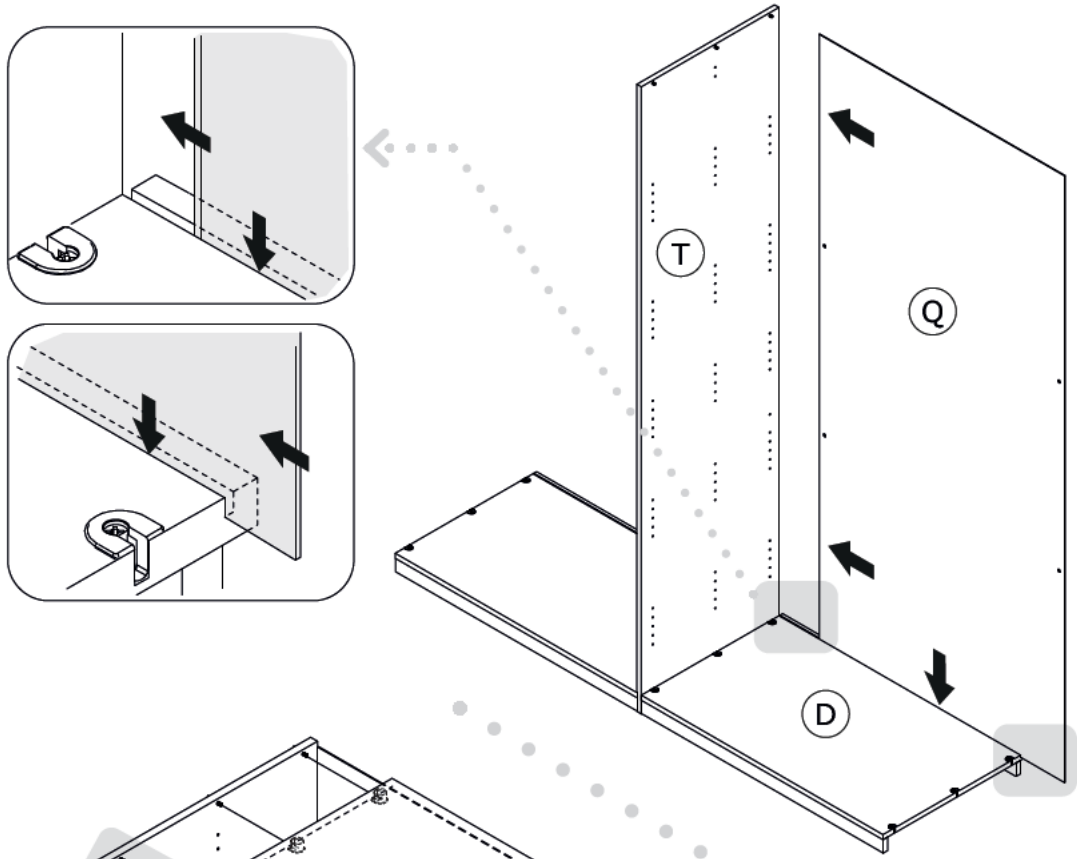


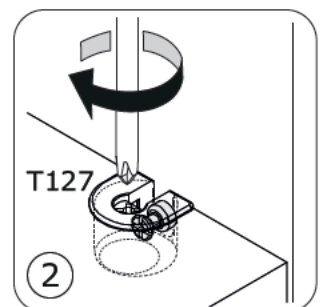
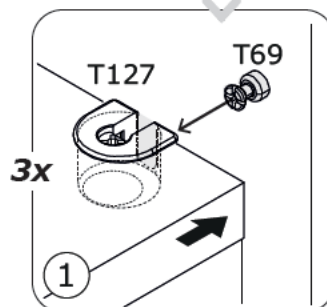
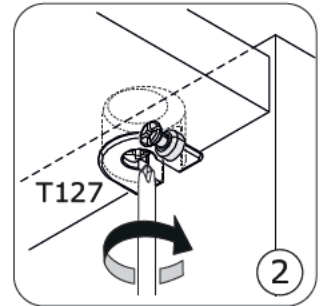
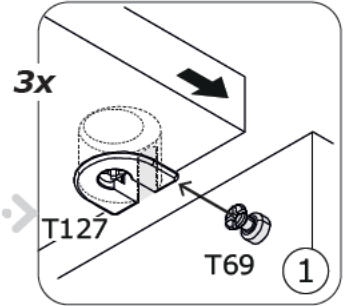
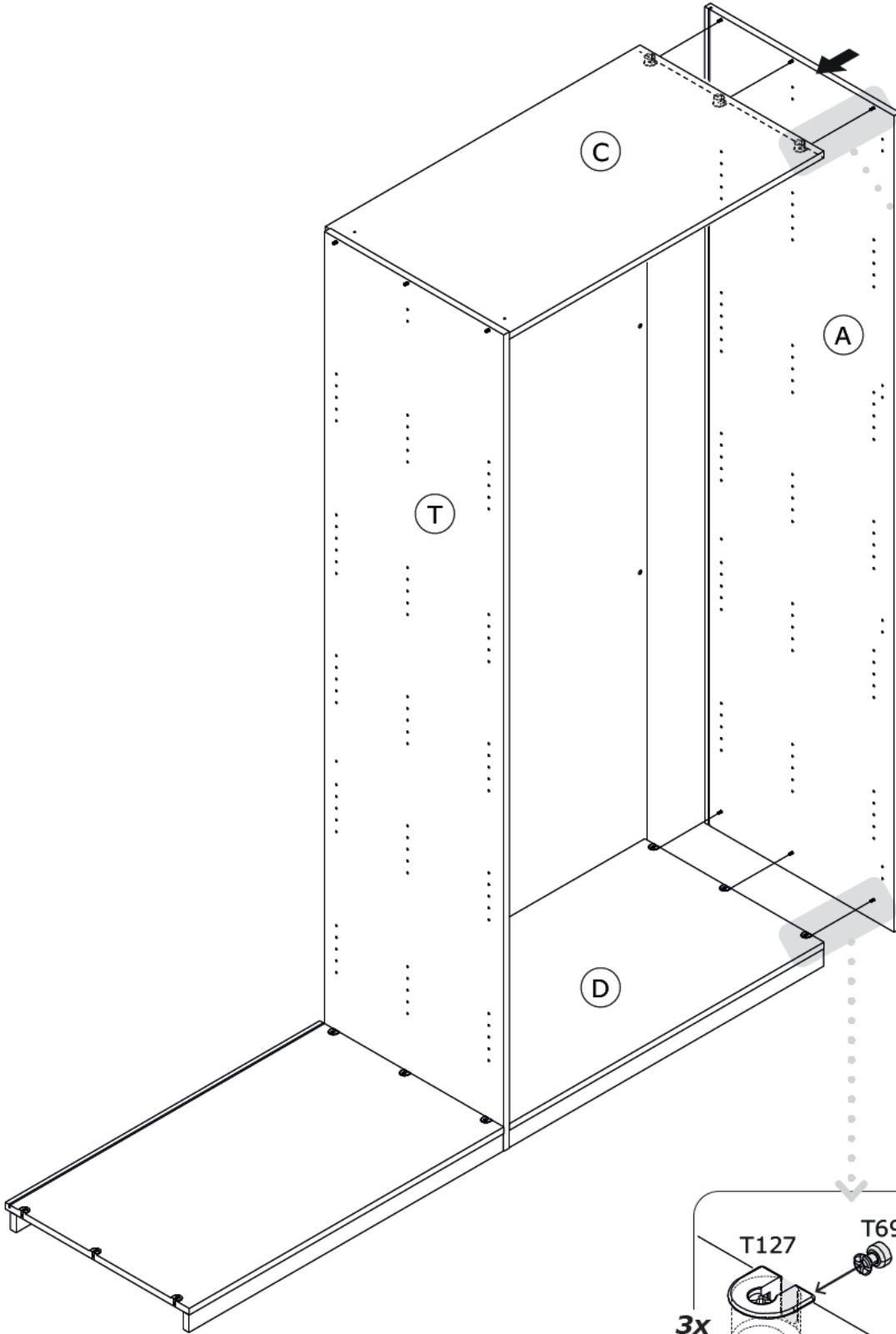
8

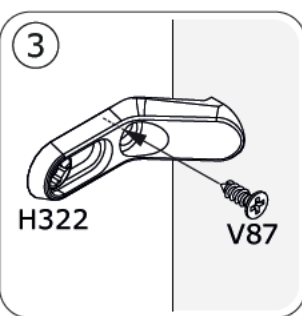
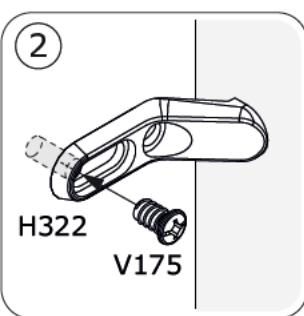
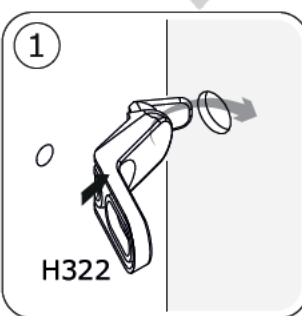
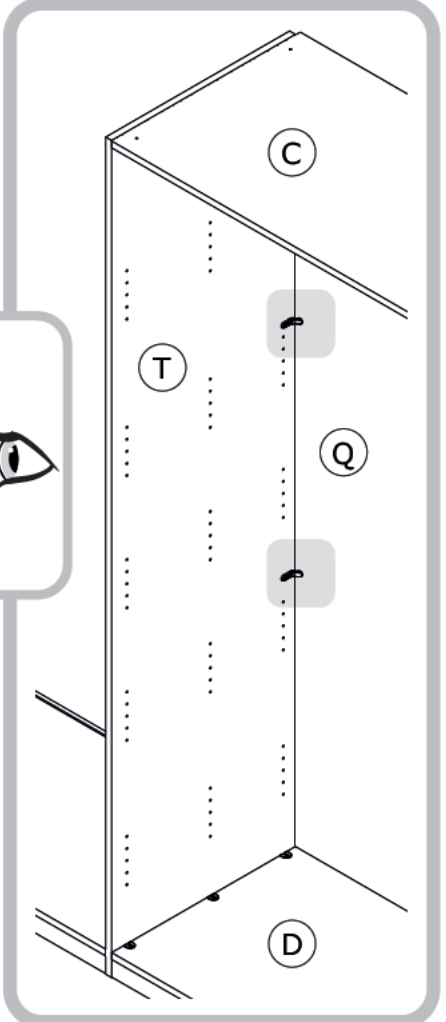
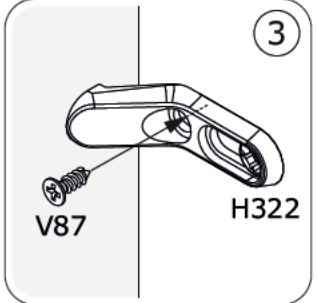
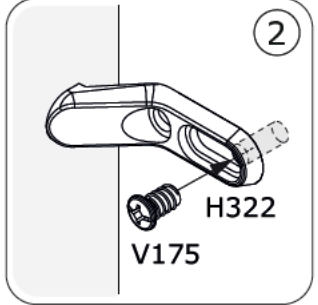
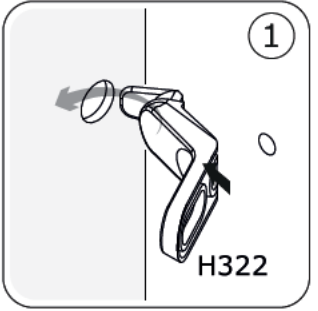
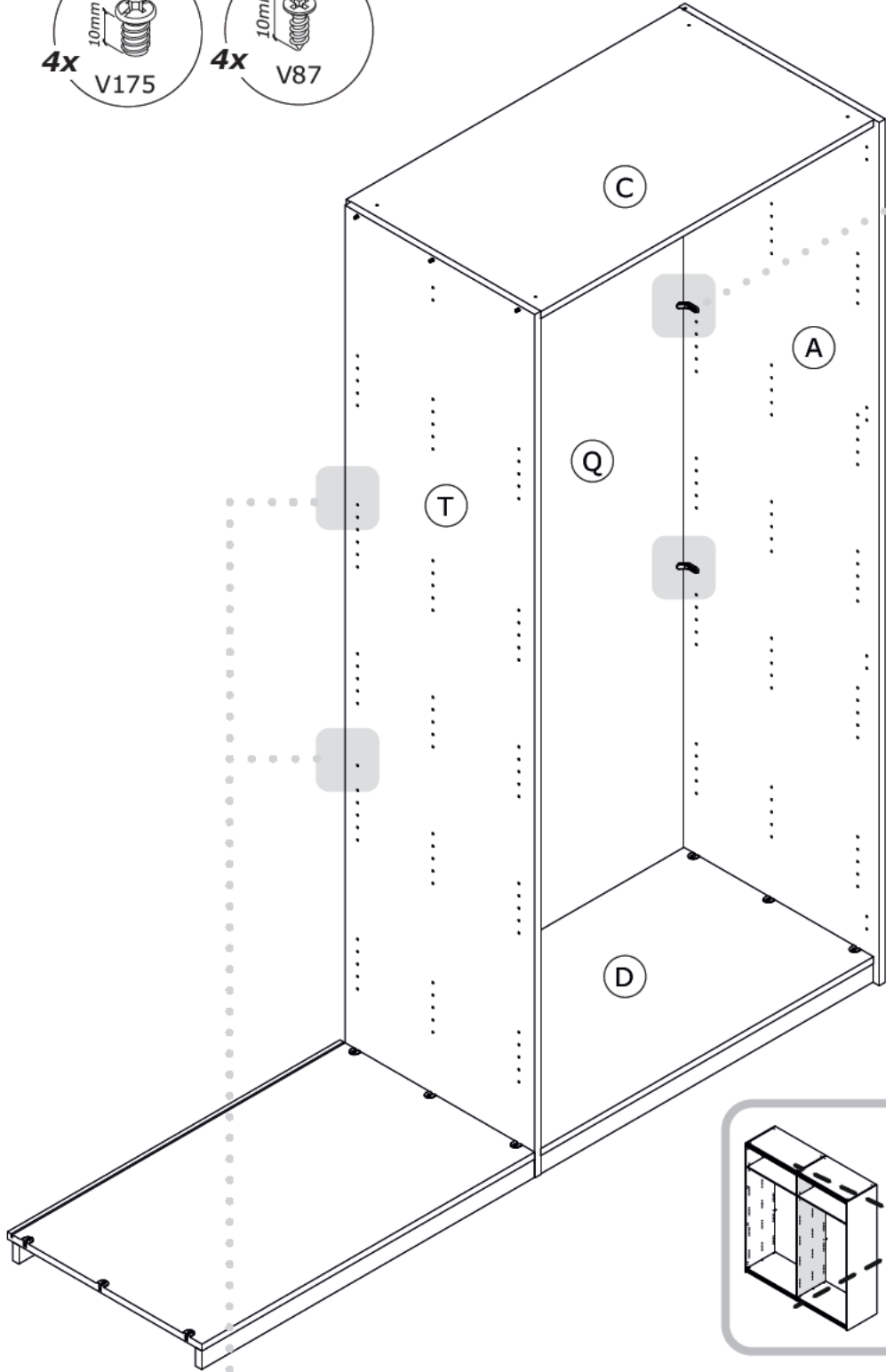
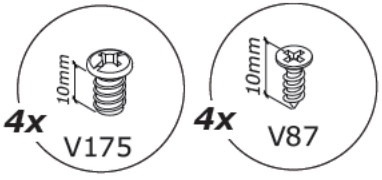


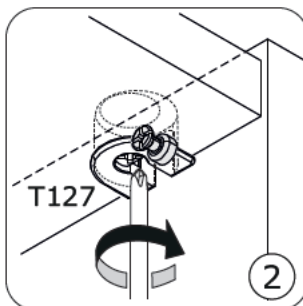
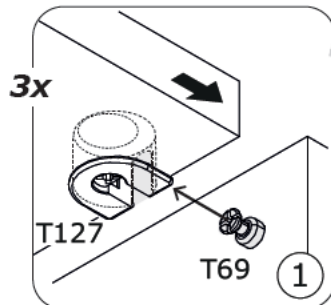
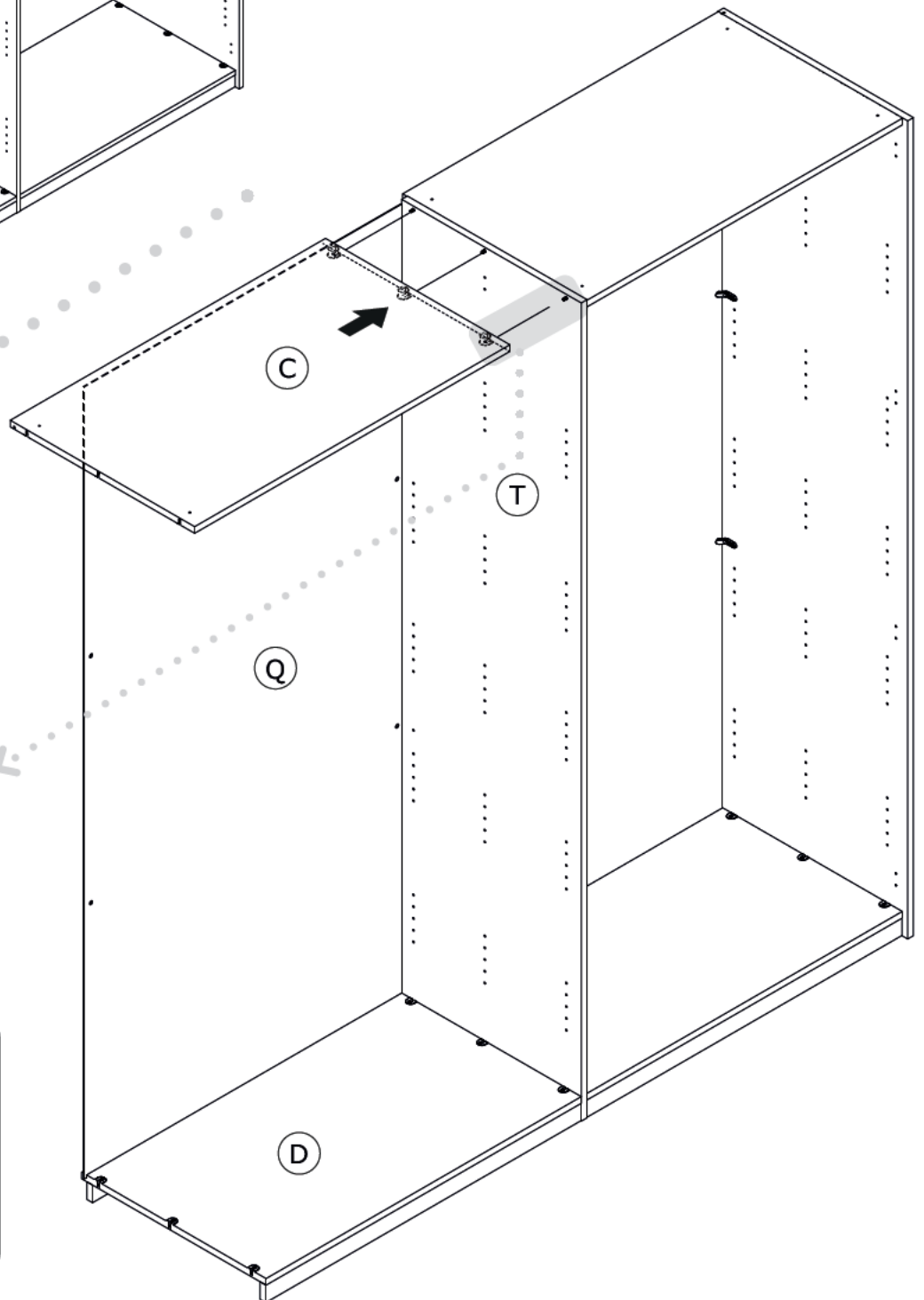
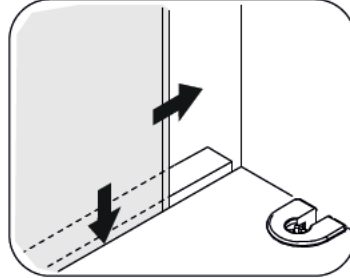
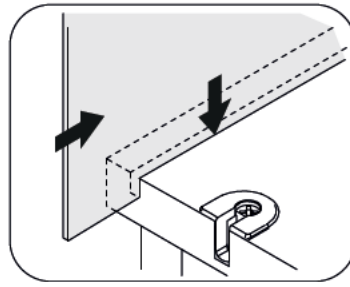
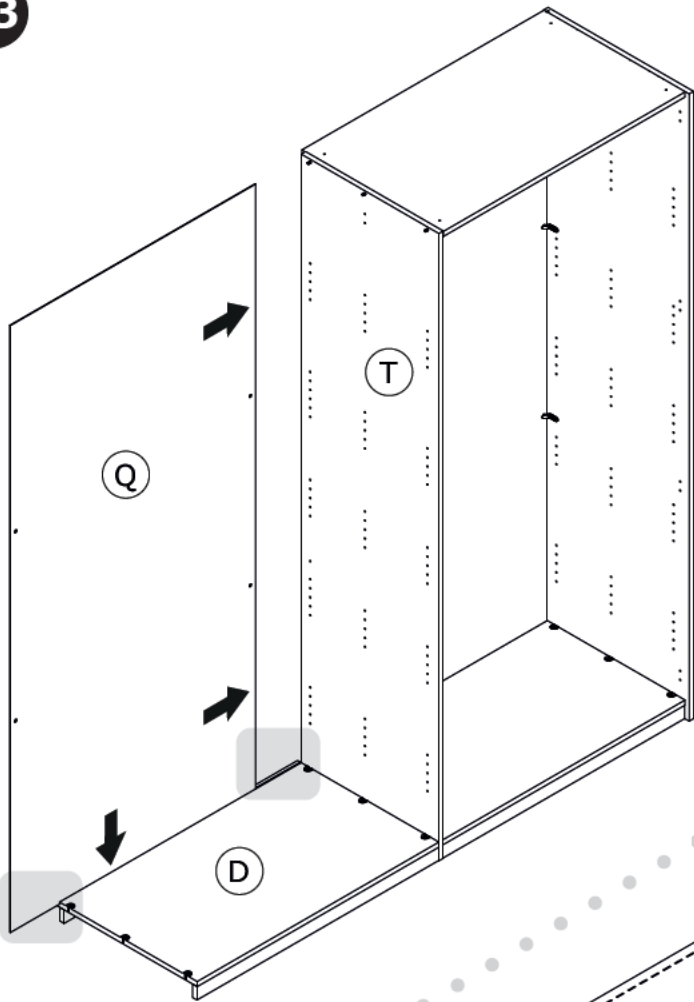
9

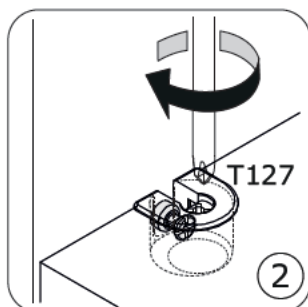
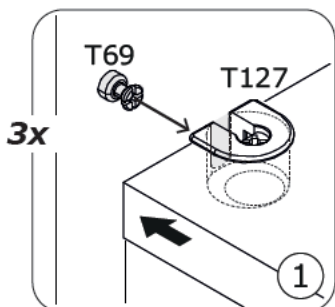
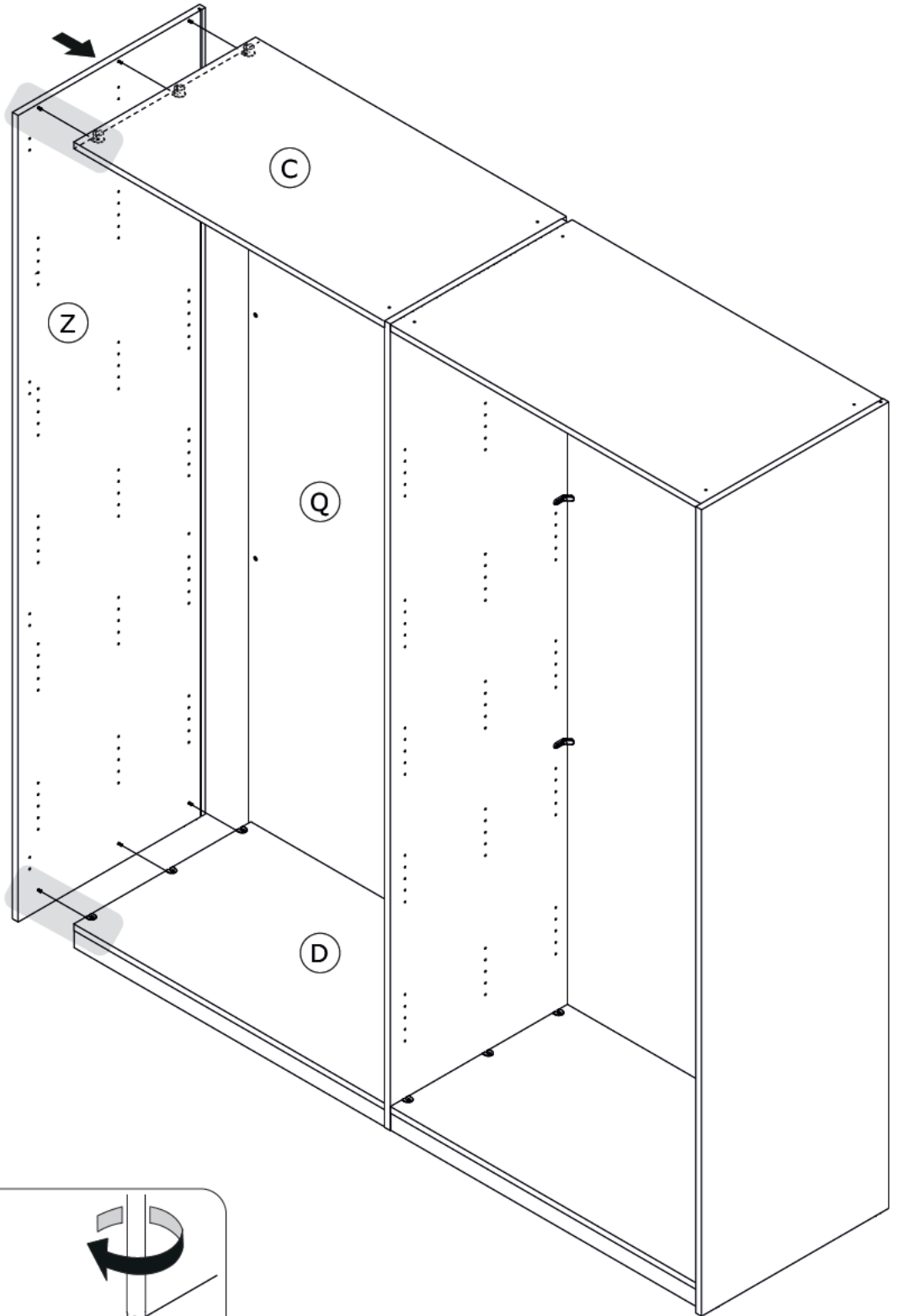
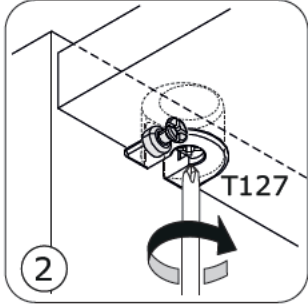
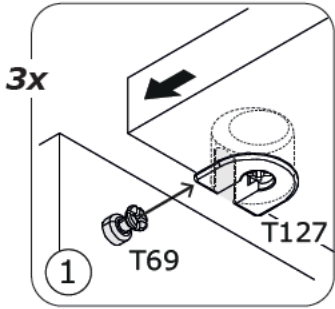


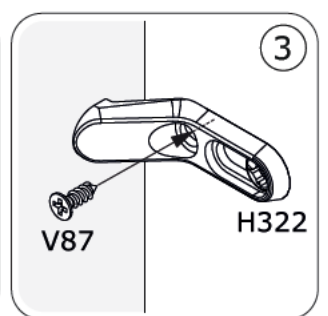
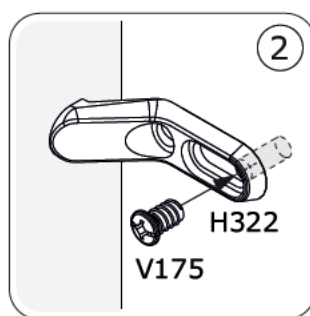
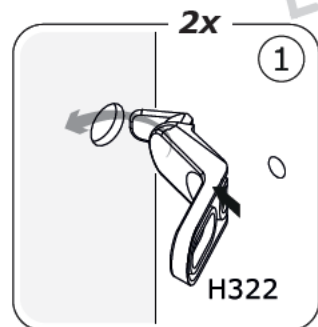
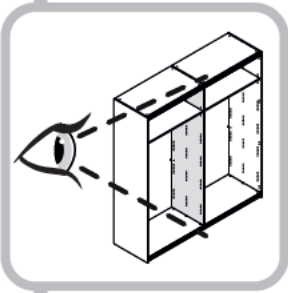
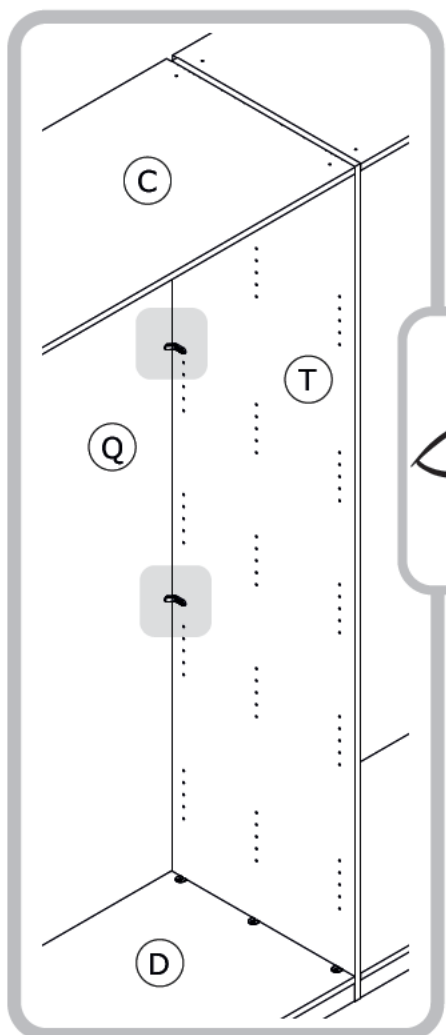
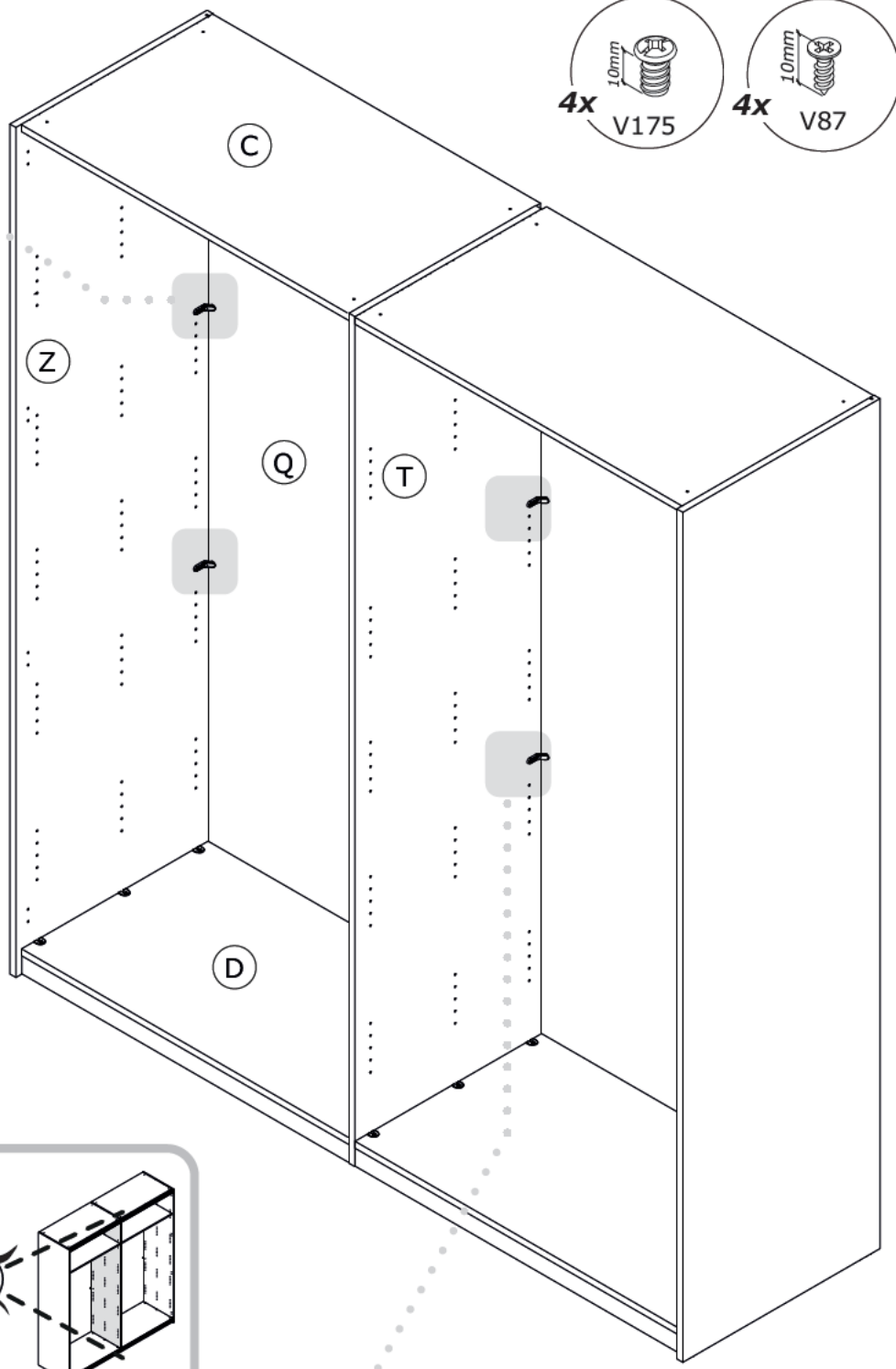
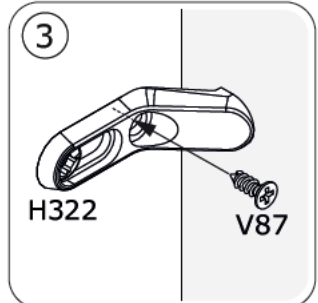
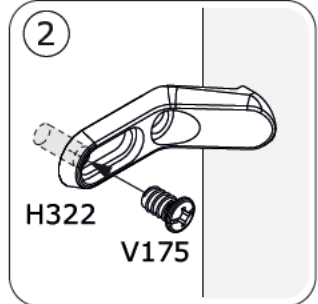
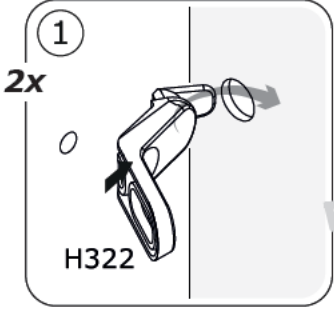
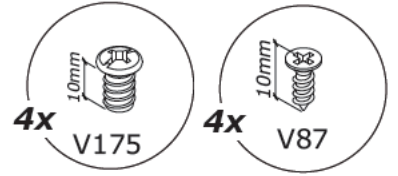












14

