

INSTALLATION AND CARE GUIDE

BEFORE YOU BEGIN



Prior to installation, thoroughly read and comprehend this manual.



We recommend professional installation for optimal results.

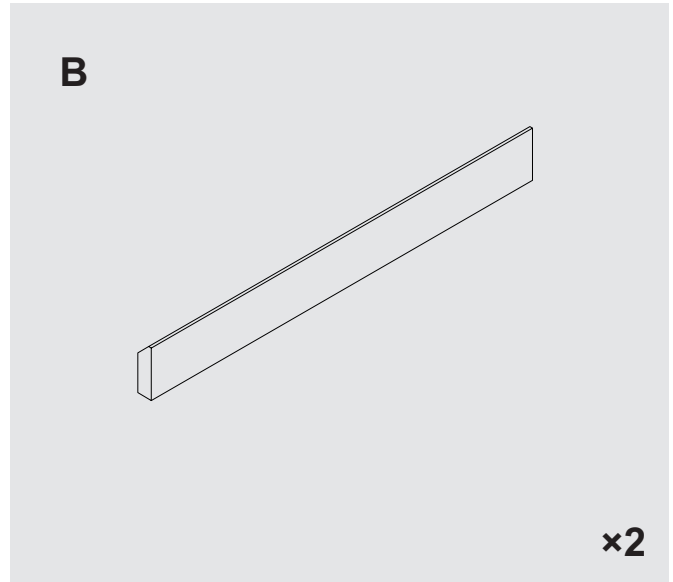
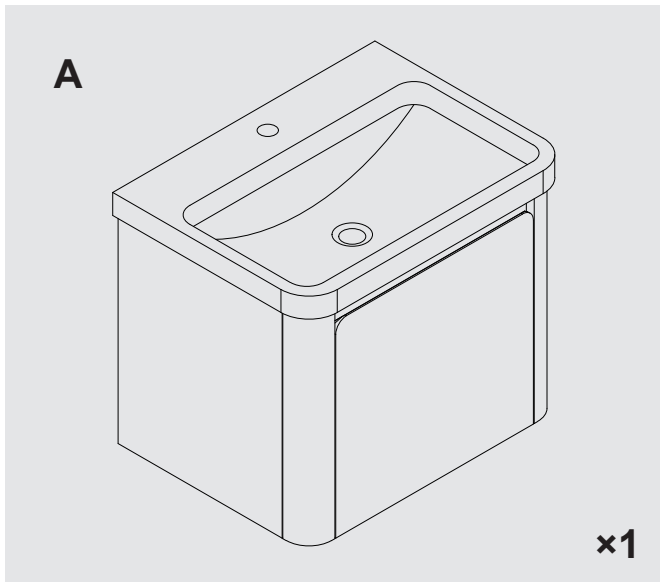


Shield surfaces from sharp objects, high heat, and chemicals.



Verify all components against the **PART LIST**. Promptly inform your retailer of any missing items.

WHAT'S INCLUDED IN THE PACKAGE



A. VANITY

B. HANGING STRIP

INSTALLATION INSTRUCTION

Important Installation Guide:

Safety First: Ensure the appropriate hardware and tools are used throughout the installation process. *Note that Hardware and Tools are NOT included.* For a secure and proper installation tailored to your wall type, we strongly recommend hiring a professional installer.

Preparation:

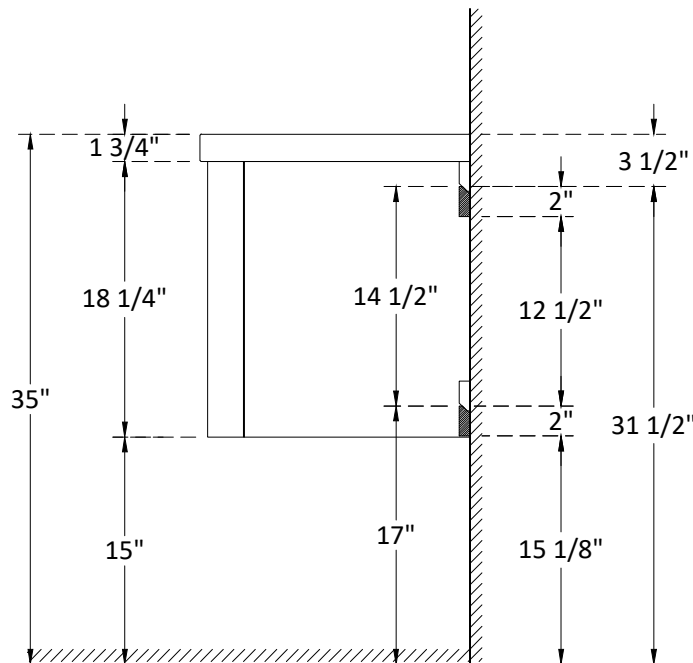
A. Select an Appropriate Location:

Before beginning installation, carefully choose a suitable location for the vanity, taking into account plumbing and electrical considerations. Ensure the chosen wall can support the weight of the vanity.

B. Mark Hanging Strip Positions:

a. Upper Hanging Strip - Utilize a level to mark the positions for the hanging strips on the wall. Position the upper strip approximately 3 1/2" below your intended vanity height. For instance, if you intend to hang your vanity at a height of 35", place the top edge of the upper hanging strip approximately 31 1/2" above the finished floor.

b. Lower Hanging Strip - Ensure a distance of 12 1/2" between the upper strip and the lower strip, measured from the bottom of the upper strip to the top of the lower strip.



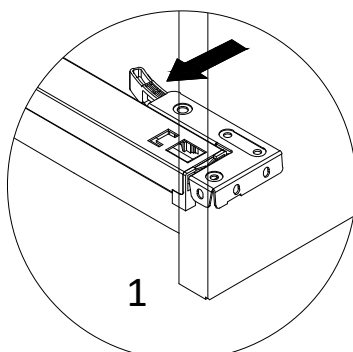
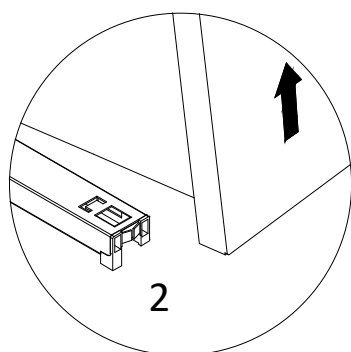
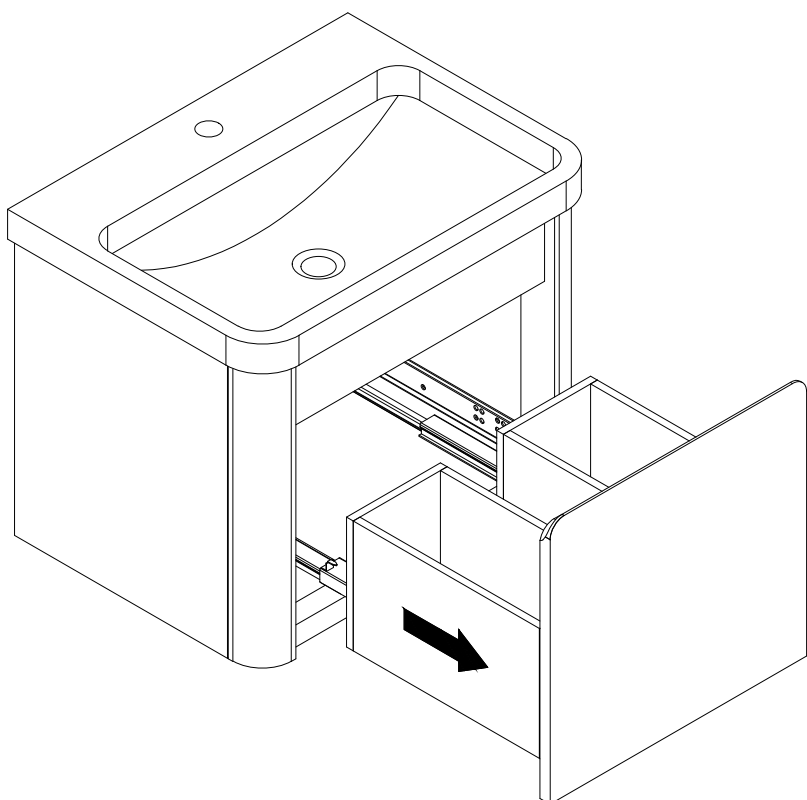
INSTALLATION INSTRUCTION

Installation:

STEP1. Remove the drawer.

Note:

- a. Fully extend the outside drawer and locate the colored plastic clip underneath the drawer box.
- b. Simultaneously push both levers to disengage the drawer box.
- c. Gently lift the drawer to remove it from the glide tracks. Set the drawer aside for re-installation later.

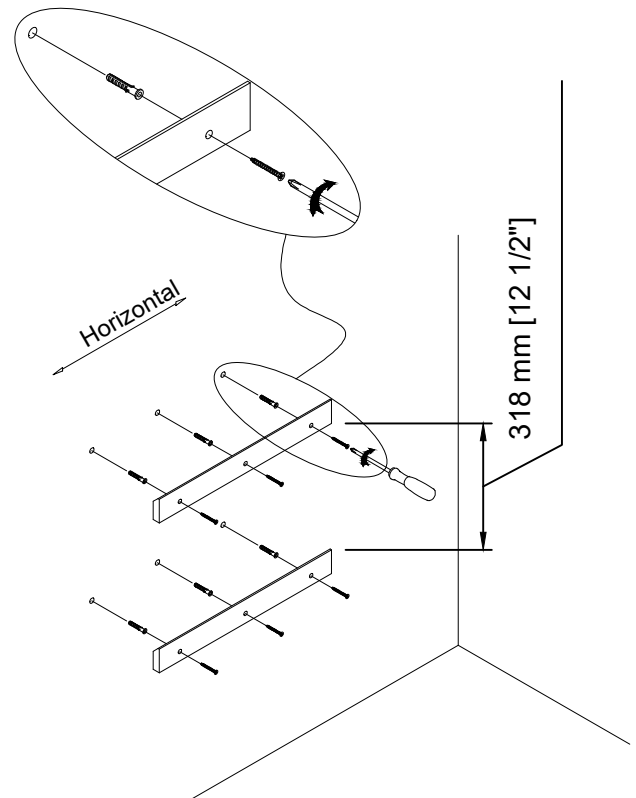
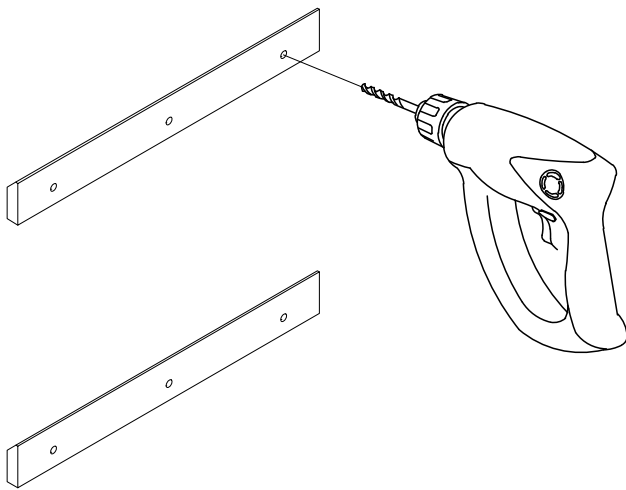


INSTALLATION INSTRUCTION

STEP2. Install the Hanging Strips.

Note:

- a. For walls with studs, pre-drill three holes in each hanging strip based on the stud locations. Securely attach the strips to the wall using screws and appropriate wall anchors at the marked positions.
- b. For walls without studs, opt for heavy-duty wall anchors suitable for your wall type, such as toggle bolts or hollow wall anchors.

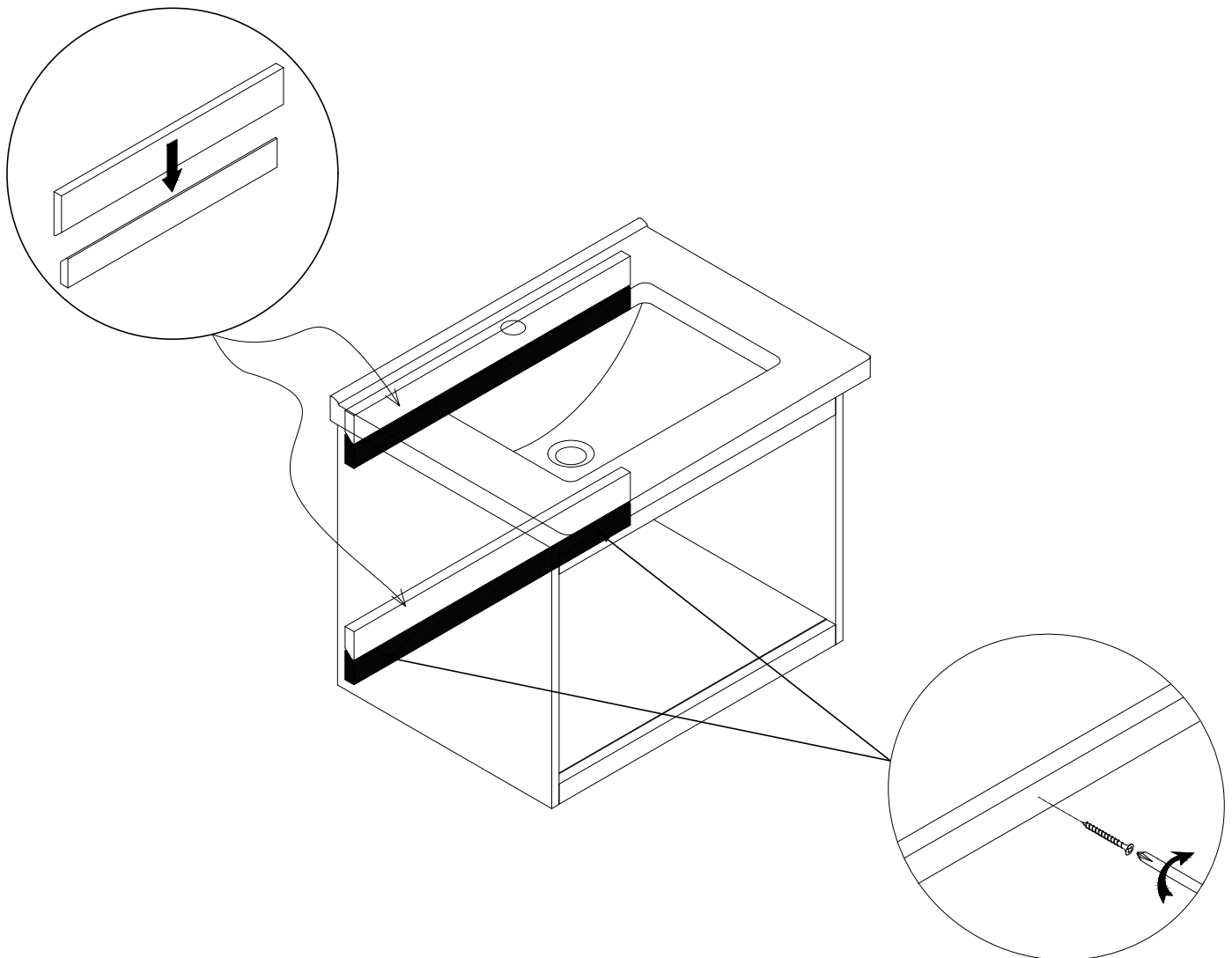


INSTALLATION INSTRUCTION

STEP3. Mount the Vanity.

Note:

- a. With the assistance of another person, lift and hang the vanity onto the secured strips. Ensure it is positioned correctly.
- b. For increased safety and stability, consider fastening the back panel of the vanity to the hanging strip.



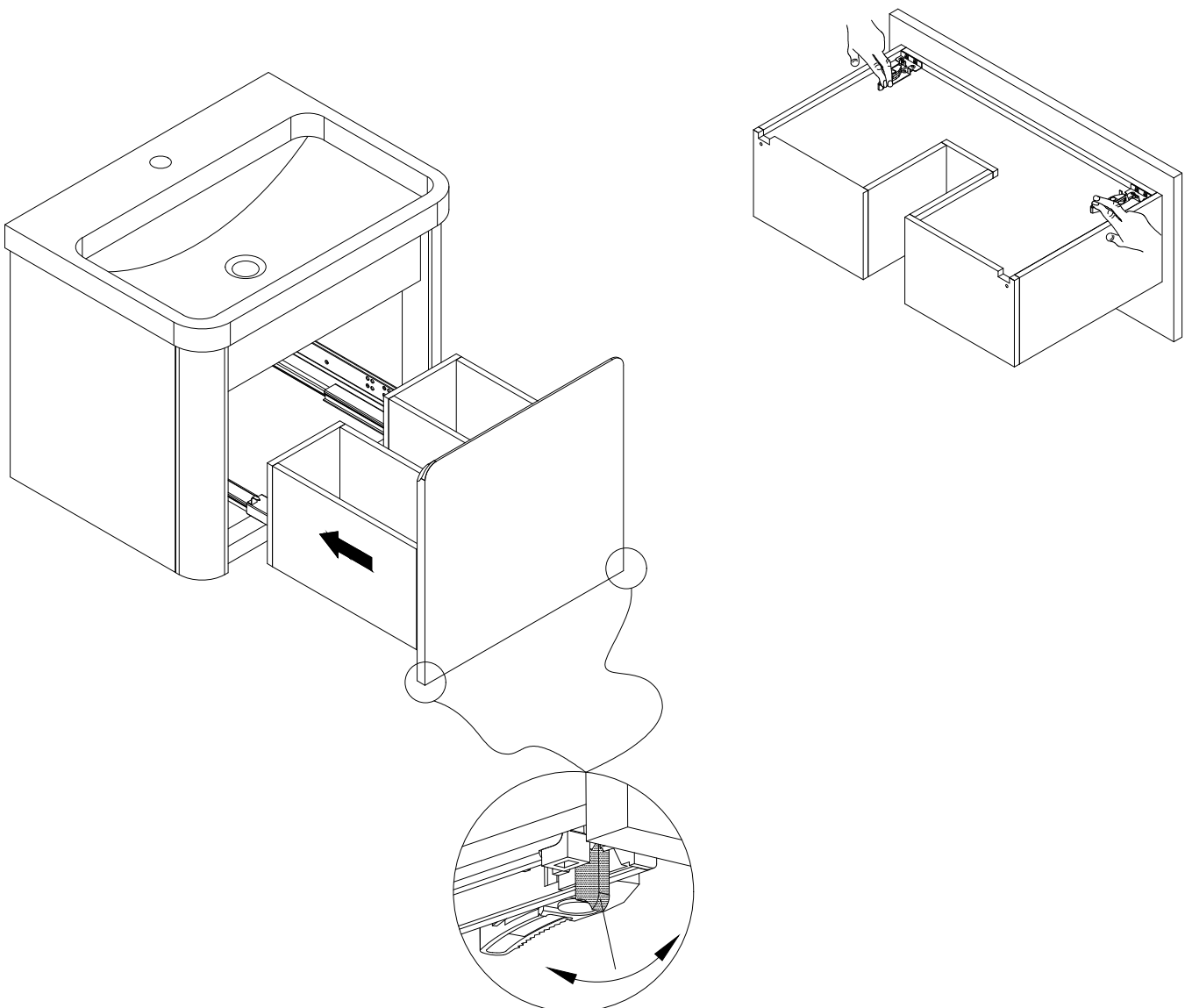
INSTALLATION INSTRUCTION

STEP4. Reinstall the drawer.

- a.** Fully extend the drawer glide tracks.
- b.** Carefully place the back of the drawer box into the metal hook located on the back of the drawer track.
- c.** Once the glide hook is inserted into the hole in the back of the drawer box, gently lower the drawer box onto the extended glide tracks.
- d.** Test to ensure that the drawer box is fully engaged. If the drawer box can still be lifted off the glide track, repeat the steps from the beginning. Never force anything as it may damage the drawer or glide hardware.

Note:

The drawer's position can be slightly adjusted up or down by twisting the adjuster knob next to the glide handles.



CARE AND MAINTENANCE

By following these care guidelines, you can help preserve the appearance and longevity of your bathroom vanity.

For the Sink,

1. Regular Cleaning:

Wipe the sink regularly with a soft, non-abrasive cloth or sponge.

Use a gentle, non-abrasive household cleaner suitable for ceramic surfaces.

Rinse the sink thoroughly with clean water after cleaning.

2. Stain Removal:

For light stains, you can create a paste using baking soda and water. Apply the paste to the stained area, gently scrub with a soft cloth or sponge, and rinse thoroughly.

For more stubborn stains, you can use a mild abrasive cleaner specifically formulated for ceramic sinks. Follow the manufacturer's instructions and rinse well.

3. Avoiding Scratches:

Place a protective mat or coaster under any objects placed on the sink's surface to prevent scratches.

Avoid using abrasive scrubbing pads or harsh cleaning tools that can scratch the ceramic surface.

4. Preventing Damage:

Do not drop heavy objects onto the sink, as it may cause chipping or cracking.

Take care when handling sharp or metallic objects near the sink to avoid scratching the ceramic surface.

5. Dealing with Hard Water Deposits:

If you notice hard water deposits or mineral buildup on the sink surface, you can use a mixture of equal parts water and white vinegar. Apply the solution to the affected areas, let it sit for a few minutes, scrub gently, and rinse thoroughly.

6. Avoiding Chemical Damage:

Avoid using harsh chemicals such as bleach, ammonia, or abrasive cleaners that can damage the ceramic surface.

Do not use products containing acetone, lemon, vinegar, or other acidic substances, as they may cause discoloration or etching.

CARE AND MAINTENANCE

For the Cabinet,

1. Regular Cleaning:

Dust the cabinet regularly with a soft, non-lint producing cloth or a household dusting product to prevent the buildup of dust and debris.

Clean the cabinet surface with a gentle, non-abrasive household cleaner suitable for painted wood surfaces.

Avoid excessive moisture and wipe the cabinet dry immediately after cleaning to prevent damage to the paint.

2. Avoid Harsh Chemicals:

Avoid using harsh chemicals, solvents or abrasive cleaners that can damage the painted surface. Do not use products containing acetone, bleach, ammonia, or vinegar, as they can cause discoloration or strip the paint.

3. Protection from Sunlight:

Avoid placing the cabinet in direct sunlight, as prolonged exposure to sunlight can cause fading and discoloration of the paint.

Use curtains or blinds to protect the cabinet from direct sunlight or consider repositioning the cabinet if necessary.

4. Handling Spills and Moisture:

Clean up spills immediately to prevent moisture from seeping into the wood or causing damage to the paint.

Wipe off any spills with a soft cloth or paper towel and dry the surface thoroughly.

5. Avoid Excessive Moisture:

Prevent excessive exposure to moisture, such as standing water or high humidity, as it can warp the wood or affect the integrity of the paint finish.

Ensure proper ventilation in the bathroom to minimize moisture levels.

REPLACEMENT PART LIST

Part	Description
C	U-shape Drawer Panel ***
D	U-shape Drawer Box ***
E	Drawer Slide (left)
F	Drawer Slide (right)

Note:

*** Parts are made-to-order and may not have readily available in our current stock. Please contact us for the most up-to-date lead time regarding these parts.

REPLACEMENT PART LIST

