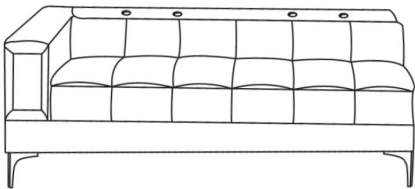
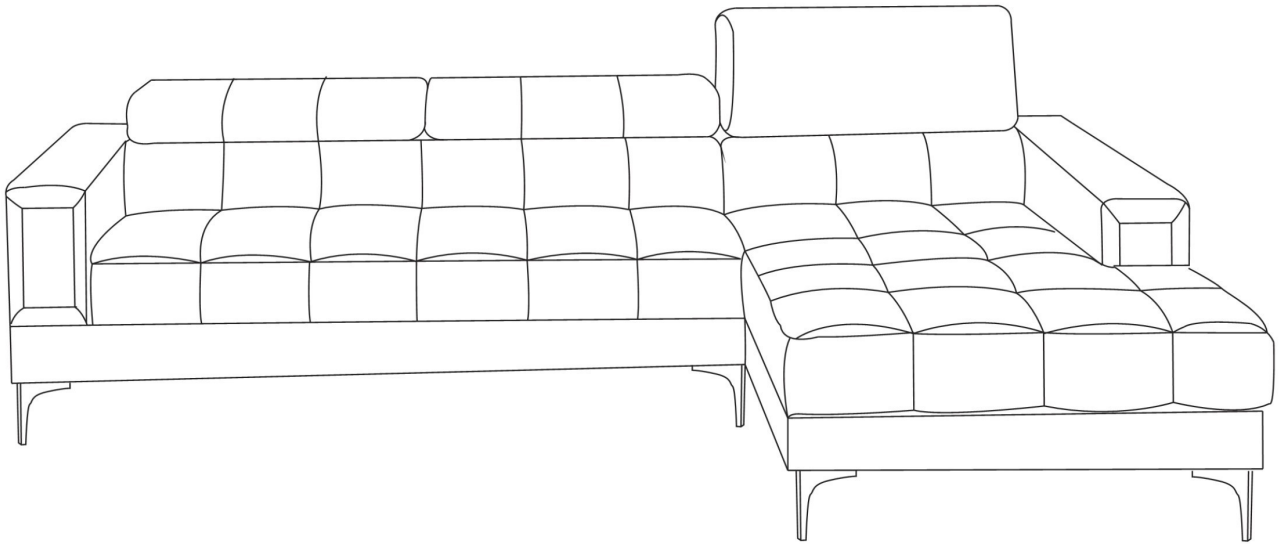
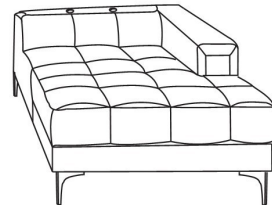


# Assembly Instructions

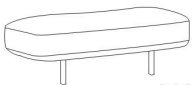
## **ITEM** Sectional w/RAF Chaise



**A** BOX 2 - LOVE



**B** BOX 1 - CHAISE



X3

**C**



X2

**D**



X8

**E**



X2

**F**



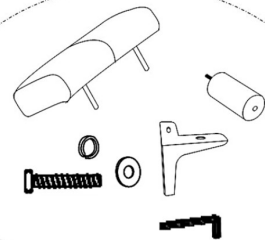
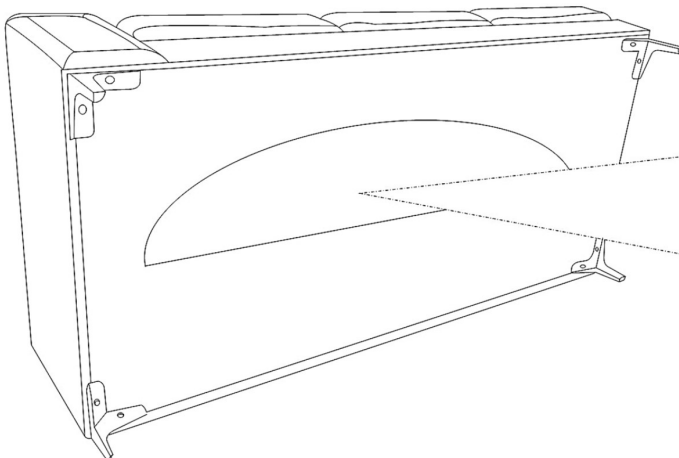
X16

**G**

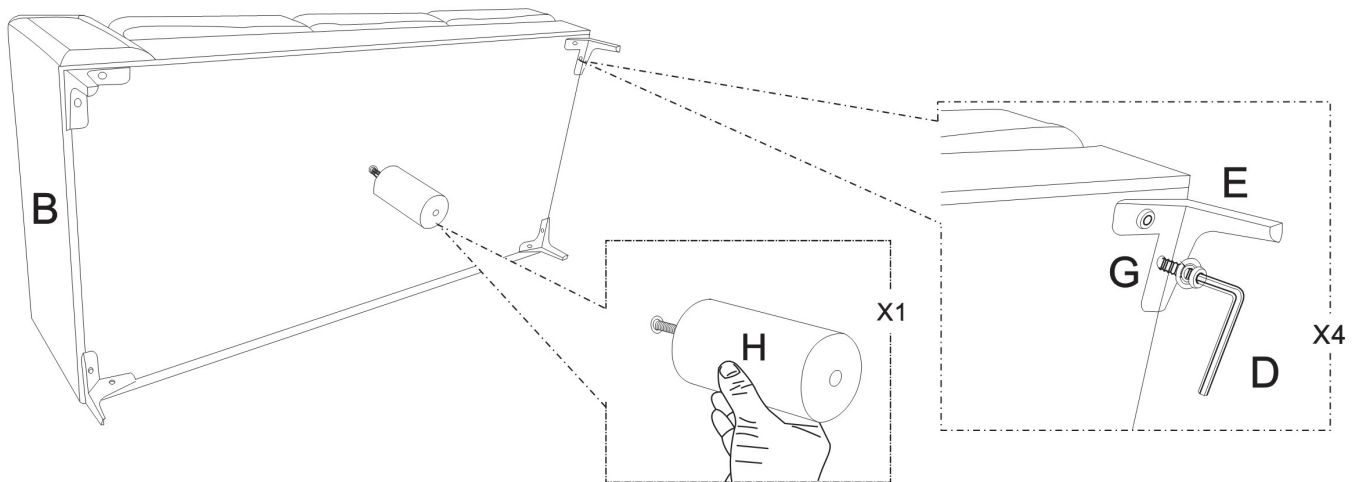


X1

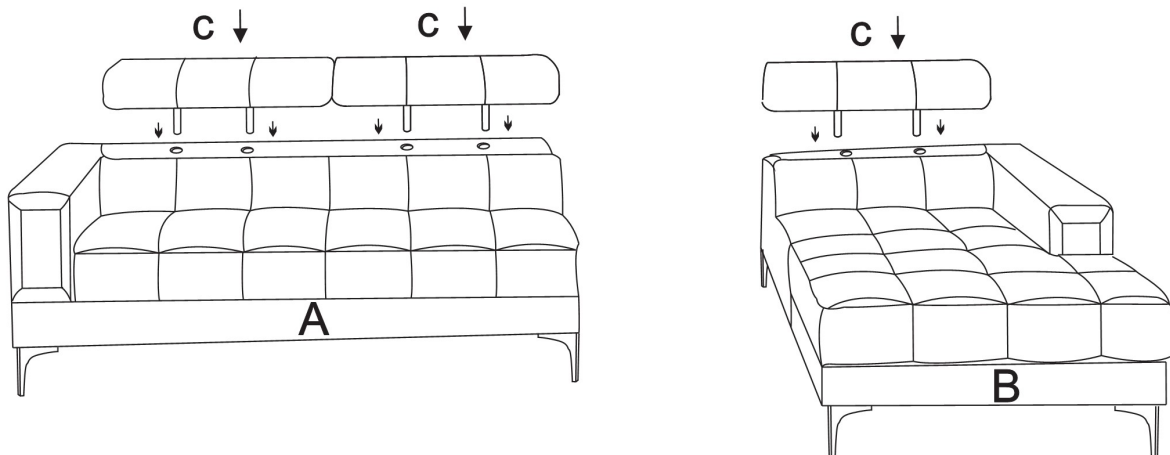
**H**



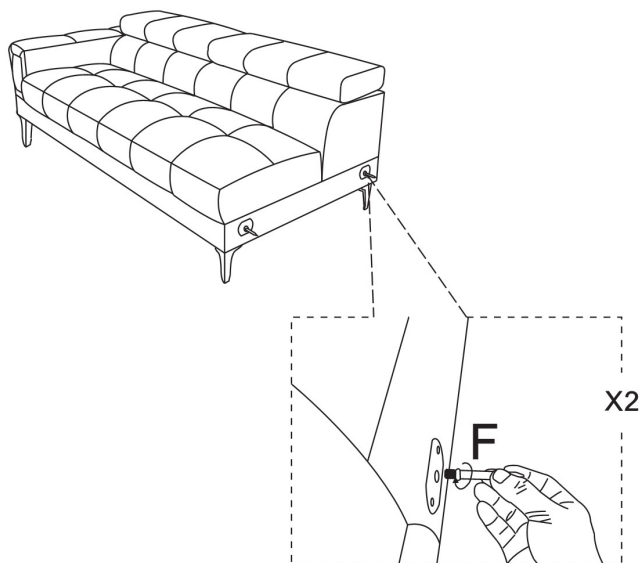
Step 1: Assemble the leg (E) onto the seat frame(A & B) with 2pcs bolt (G) by Allen wrench (D)



Step 2: Insert headrest (C) into the backrest of sofa (A) & chaise (B).



Step 3: Mount the connecting bolt (F) to sofa (A)



Step 4: Align the connecting bolt (F) with the assembling holes on chaise (B) to tighten sofa (A) and chaise (B) together.

