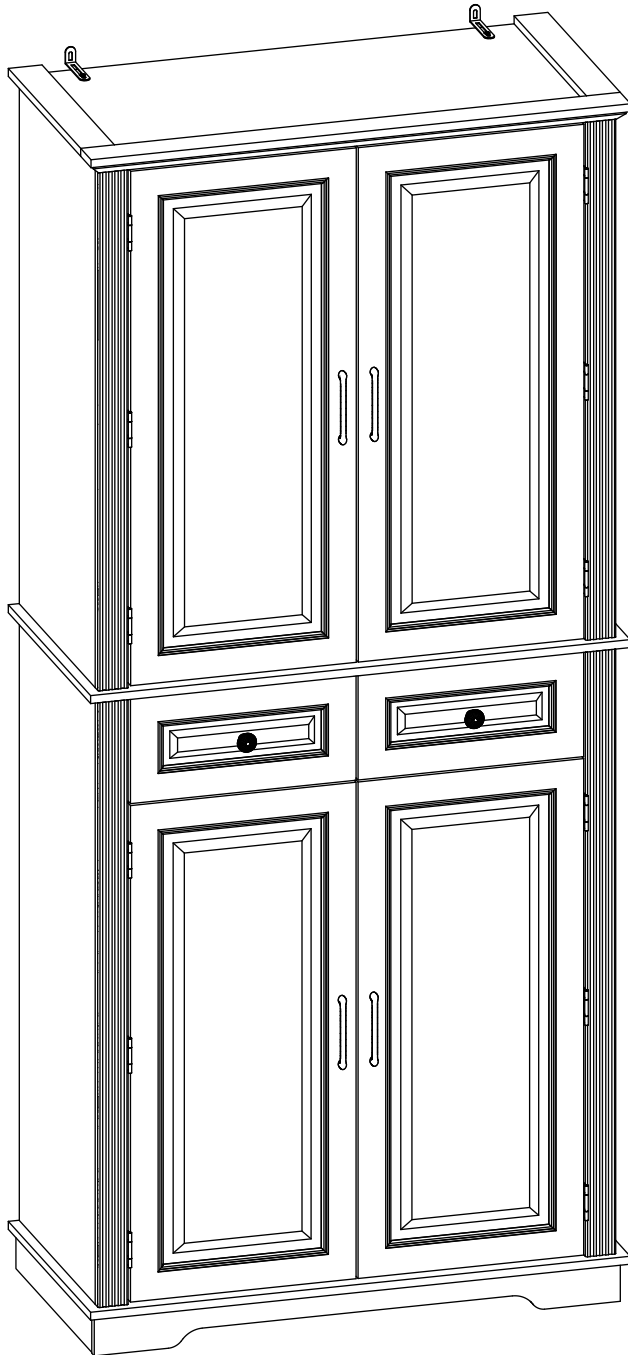


Storage Cabinet

Assembly Instructions - Please keep for future reference



Dimensions

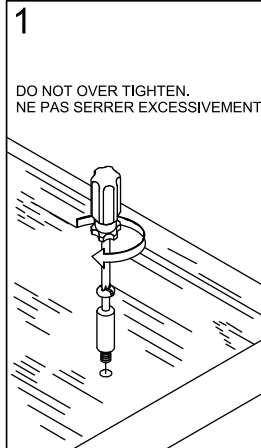
Width-31.5inch
Depth-15.74inch
Height-71.22inch

Important - please read these instructions fully before starting assembly

Using Camlocks

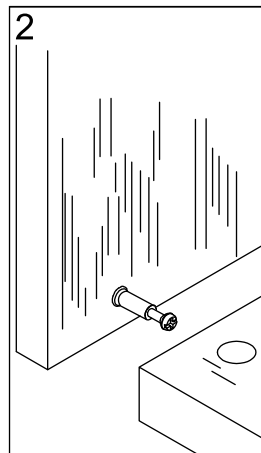
Step 1

Connect the male camlock as directed in the assembly instructions using a screwdriver.



Step 2

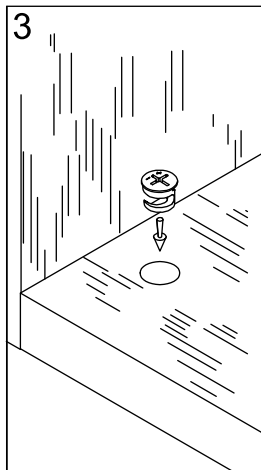
Push the male camlock into the entry hole.



Step 3

Insert the female camlock as shown in the instruction.

Note : ensure that the arrow on the top of the camlock points towards the entry hole for the male camlock.

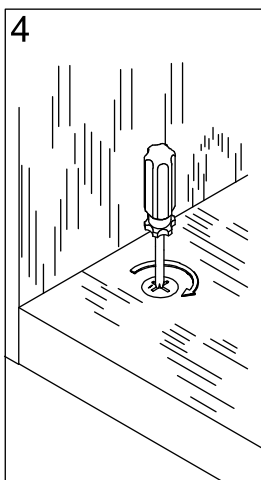


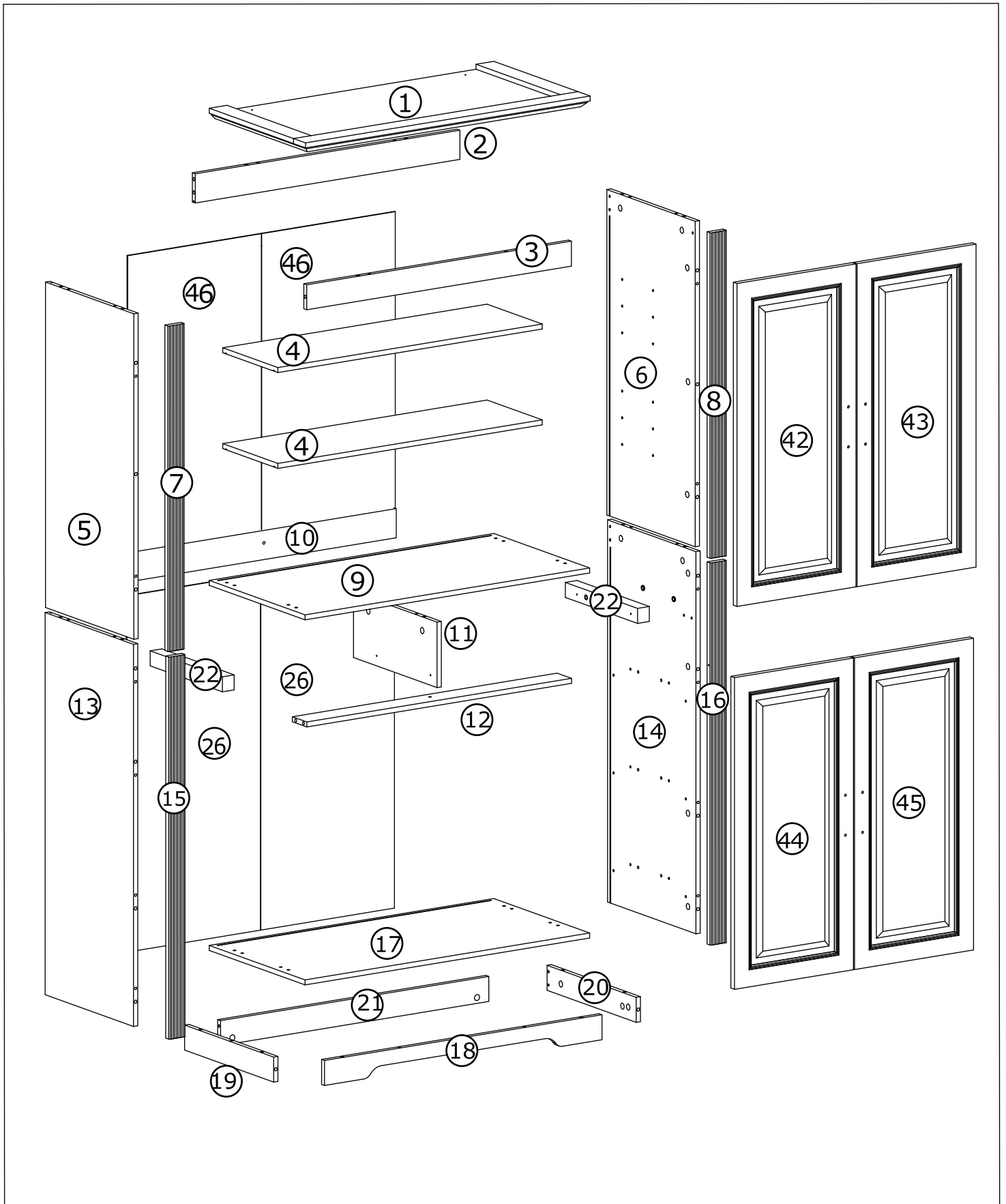
Step 4

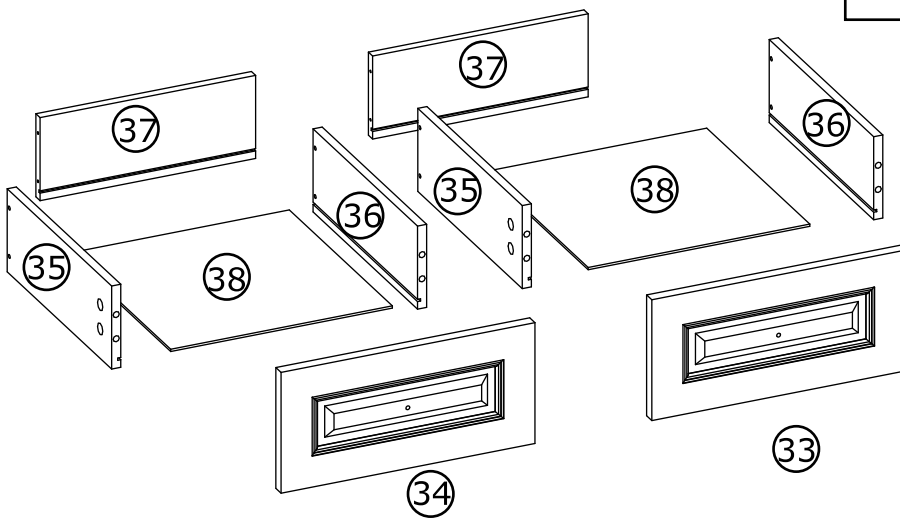
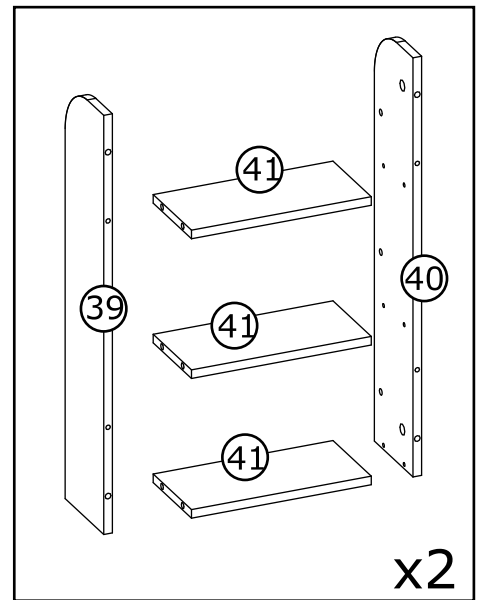
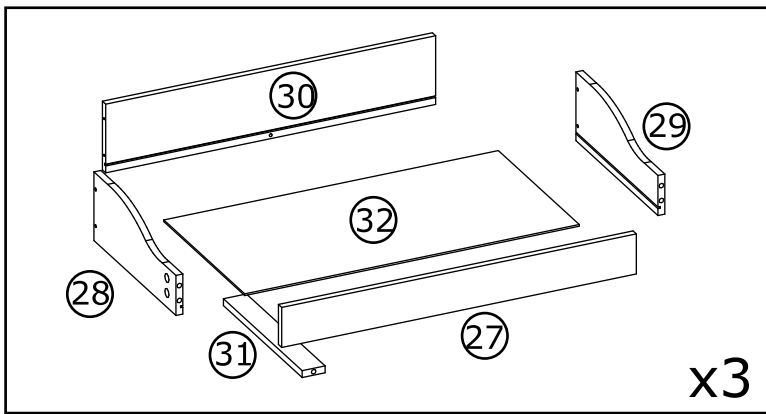
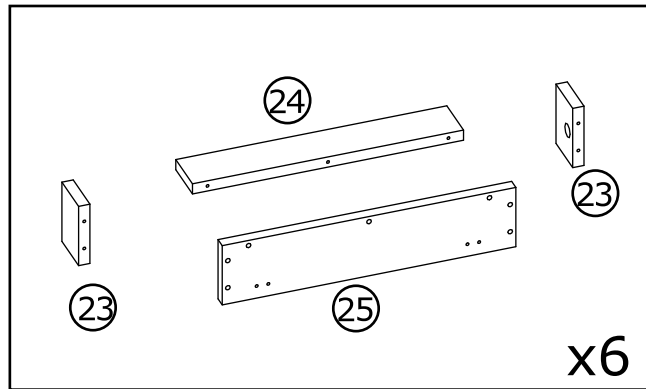
Turn the female camlock clockwise with a screwdriver.

You should feel a click when the camlock is locked in place.

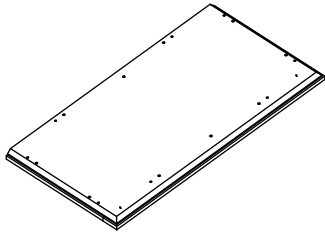
The joint is now secure.





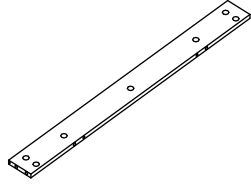


①x1



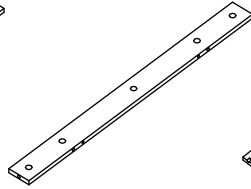
800*400*27mm

②x1



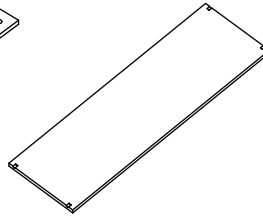
744*70*12mm

③x1



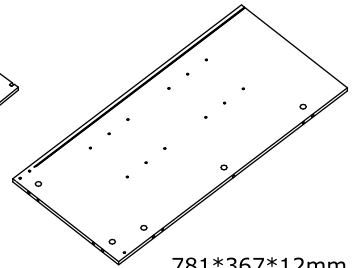
744*60*12mm

④x2



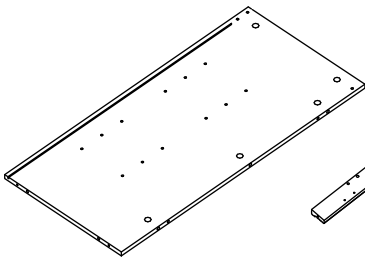
743*229*12mm

⑤x1



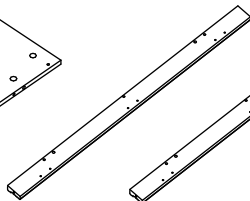
781*367*12mm

⑥x1



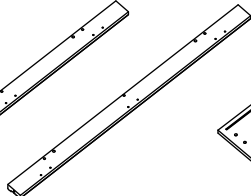
781*367*12mm

⑦x1



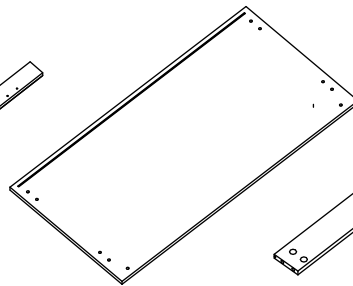
781*46*15mm

⑧x1



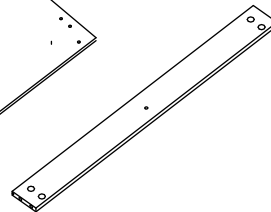
781*46*15mm

⑨x1



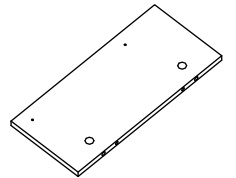
800*398*12mm

⑩x1



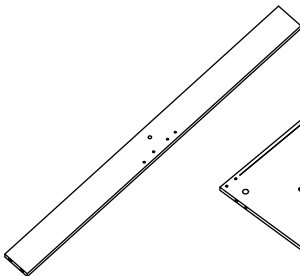
744*70*12mm

⑪x1



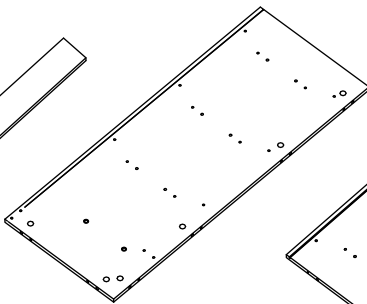
345*157*12mm

⑫x1



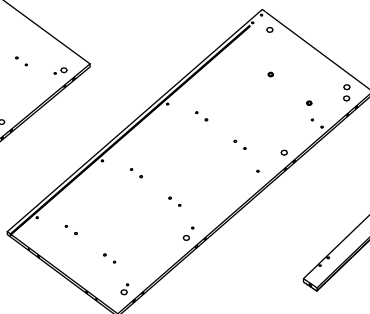
744*60*12mm

⑬x1



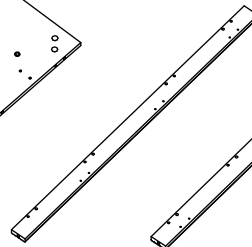
917*367*12mm

⑭x1



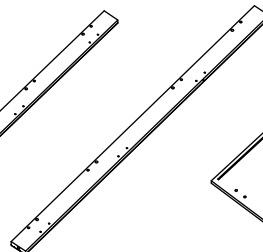
917*367*12mm

⑮x1



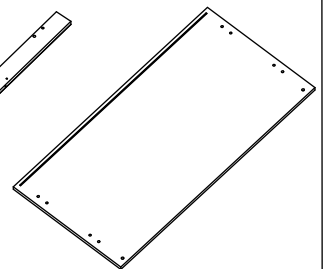
917*46*15mm

⑯x1



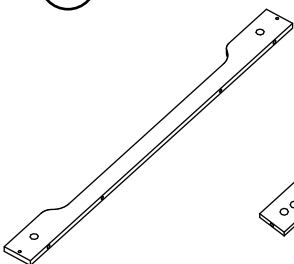
917*46*15mm

⑰x1



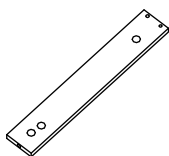
800*398*12mm

⑱x1



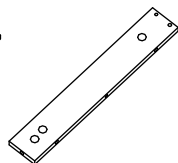
780*60*12mm

⑲x1



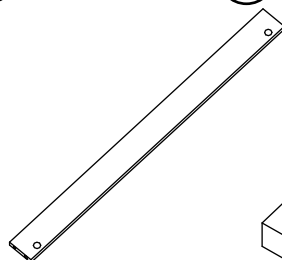
370*60*12mm

⑳x1



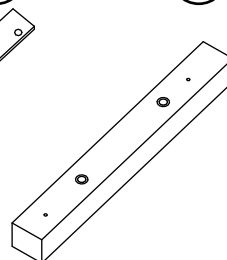
370*60*12mm

㉑x1



754*60*12mm

㉒x2



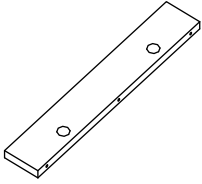
300*36*33mm

㉓x12



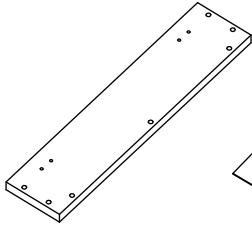
70*48*12mm

②④ x6



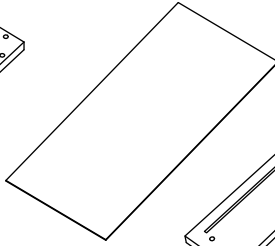
288*48*12mm

②⑤ x6



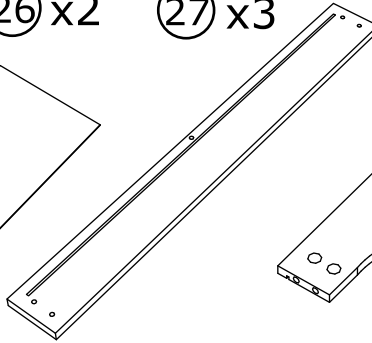
312*70*12mm

②⑥ x2



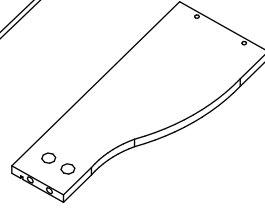
855*375.5*3mm

②⑦ x3



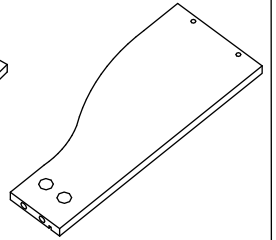
618*70*12mm

②⑧ x3



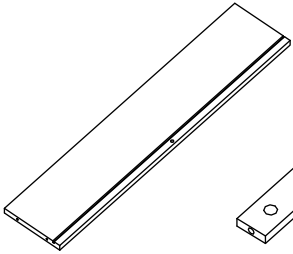
300*120*12mm

②⑨ x3



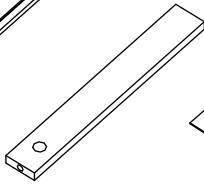
300*120*12mm

③⑩ x3



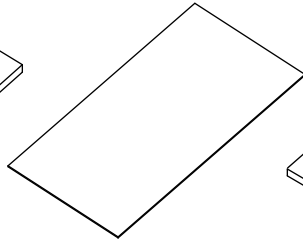
575*120*12mm

③⑪ x3



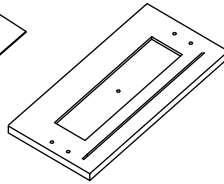
288*40*12mm

③⑫ x3



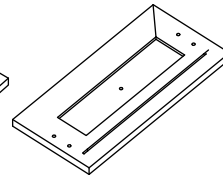
583*296*3mm

③⑬ x1



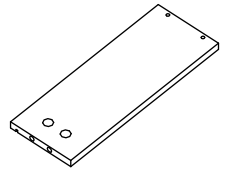
334.5*160*15mm

③⑭ x1



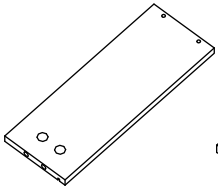
334.5*160*15mm

③⑮ x2



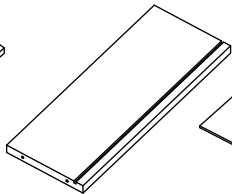
300*110*12mm

③⑯ x2



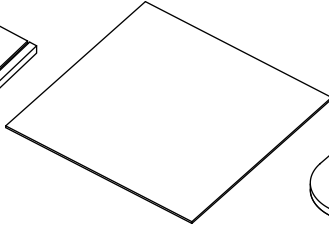
300*110*12mm

③⑰ x2



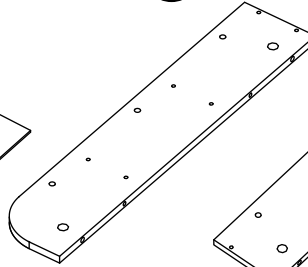
284*110*12mm

③⑱ x2



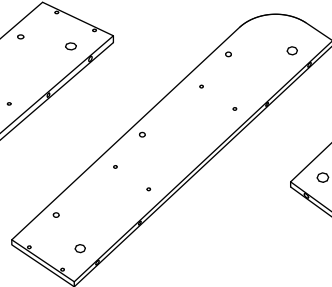
296*292*3mm

③⑲ x2



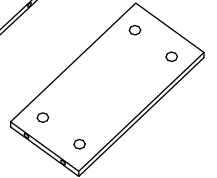
585*120*12mm

④⑰ x2



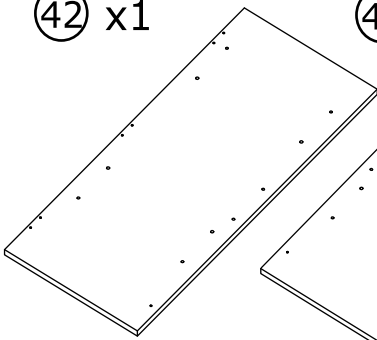
585*120*12mm

④⑱ x6



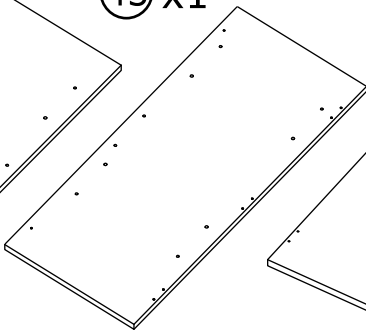
250*119*12mm

④⑲ x1



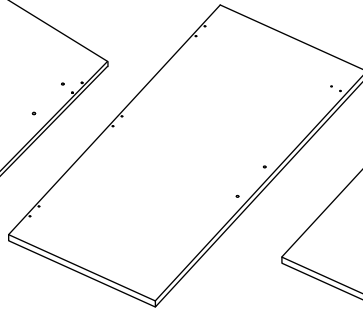
775*334.5*15mm

④⑳ x1



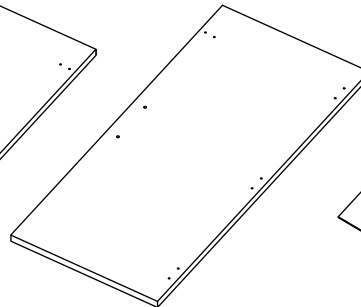
775*334.5*15mm

④㉑ x1



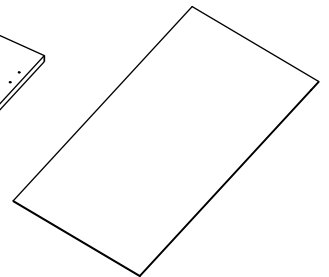
748*334.5*15mm

④㉒ x1

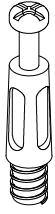
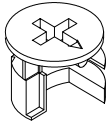

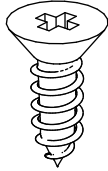
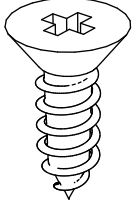
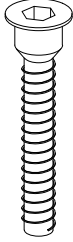
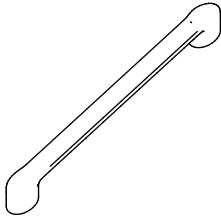
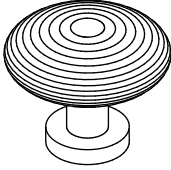
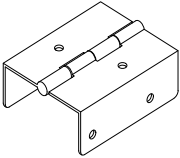
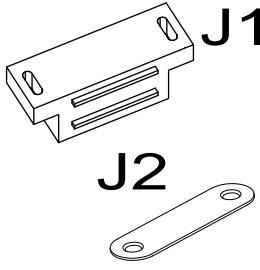
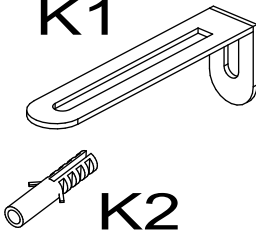
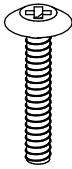
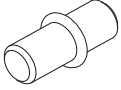
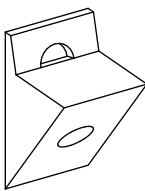
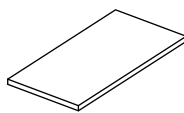
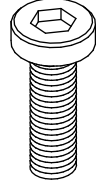


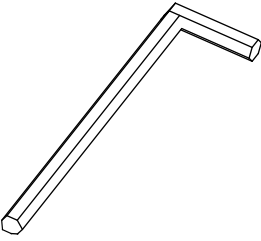
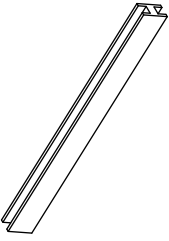
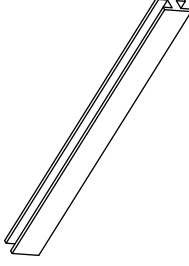
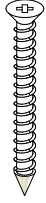
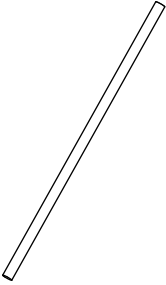
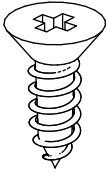
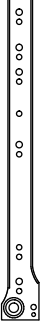


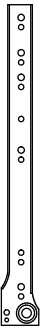
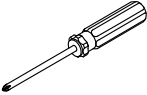
748*334.5*15mm

④㉓ x2

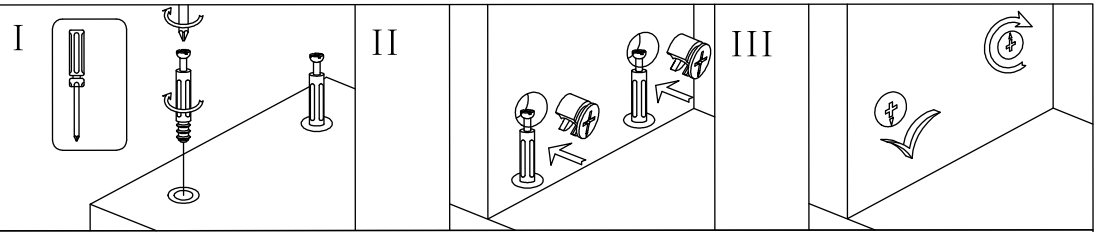


719*375.5*3mm

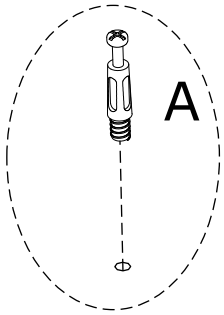
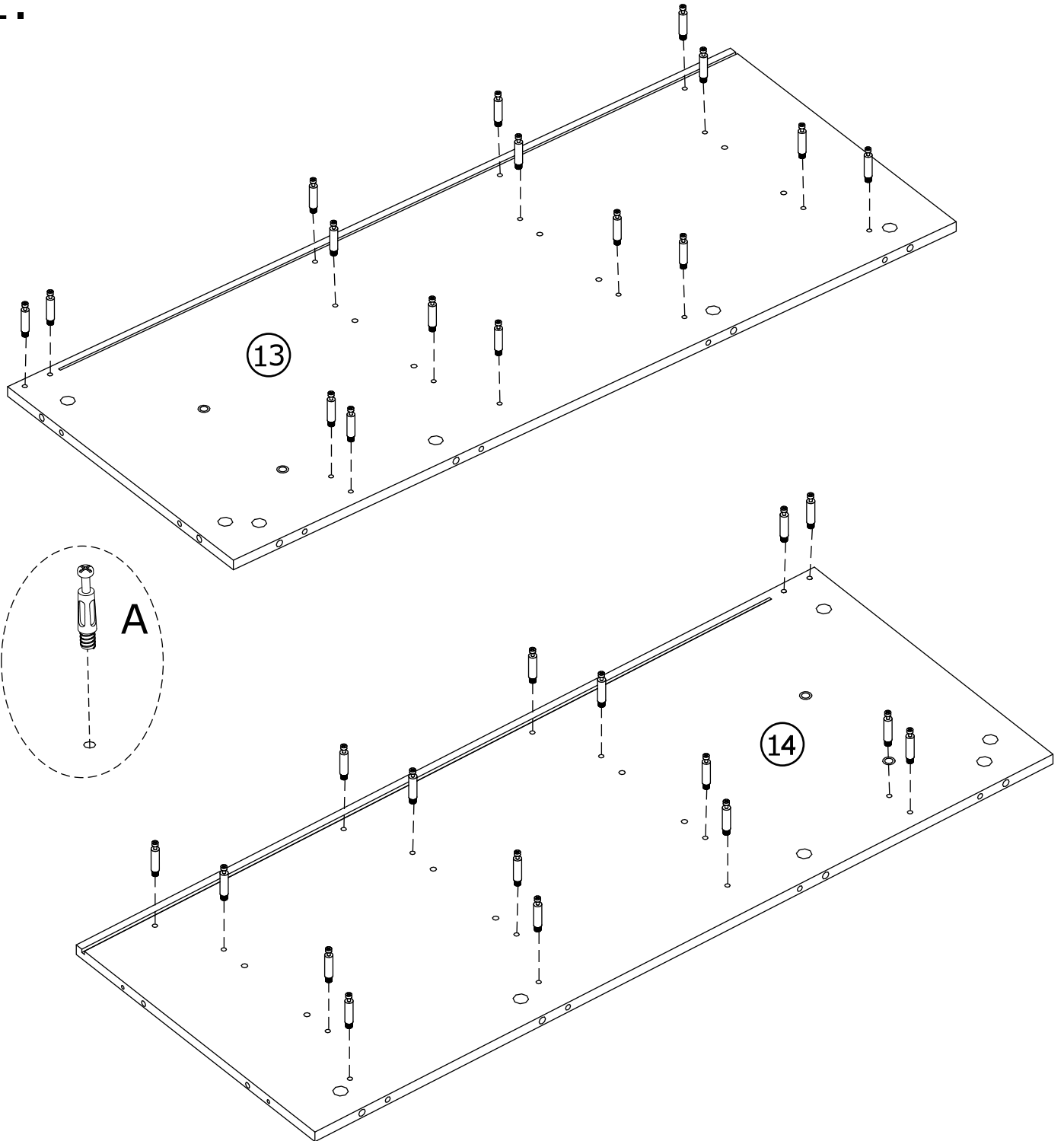
<p style="text-align: center;">A</p>  <p style="text-align: center;">ST 133PCS</p>	<p style="text-align: center;">B</p>  <p style="text-align: center;">133PCS</p>	<p style="text-align: center;">C</p>  <p style="text-align: center;">M6x30mm 68PCS</p>	<p style="text-align: center;">D</p>  <p style="text-align: center;">M3x12mm 8PCS</p>
<p style="text-align: center;">E</p>  <p style="text-align: center;">M3.5x12mm 106PCS</p>	<p style="text-align: center;">F</p>  <p style="text-align: center;">M5x40mm 10PCS</p>	<p style="text-align: center;">G</p>  <p style="text-align: center;">4PCS</p>	<p style="text-align: center;">H</p>  <p style="text-align: center;">2PCS</p>
<p style="text-align: center;">I</p>  <p style="text-align: center;">12PCS</p>	<p style="text-align: center;">J</p>  <p style="text-align: center;">4PCS</p>	<p style="text-align: center;">K</p>  <p style="text-align: center;">2PCS</p>	<p style="text-align: center;">L</p>  <p style="text-align: center;">10PCS</p>
<p style="text-align: center;">N</p>  <p style="text-align: center;">8PCS</p>	<p style="text-align: center;">M</p>  <p style="text-align: center;">24PCS</p>	<p style="text-align: center;">O</p>  <p style="text-align: center;">8PCS</p>	<p style="text-align: center;">P</p>  <p style="text-align: center;">M6x40mm 4PCS</p>

<p style="text-align: center;">Q</p>  <p style="text-align: center;">1PCS</p>	<p style="text-align: center;">R</p>  <p style="text-align: center;">1PCS</p>	<p style="text-align: center;">S</p>  <p style="text-align: center;">1PCS</p>	<p style="text-align: center;">T</p>  <p style="text-align: center;">M4x35mm 67PCS</p>
<p style="text-align: center;">U</p>  <p style="text-align: center;">6PCS</p>	<p style="text-align: center;">V</p>  <p style="text-align: center;">M3x14 mm 8PCS</p>	<p style="text-align: center;">CR</p>  <p style="text-align: center;">5PCS</p>	<p style="text-align: center;">DL</p>  <p style="text-align: center;">5PCS</p>
<p style="text-align: center;">DR</p>  <p style="text-align: center;">5PCS</p>	<p style="text-align: center;">CL</p>  <p style="text-align: center;">5PCS</p>	<p style="text-align: center;">W</p>  <p style="text-align: center;">1PCS</p>	

"B" Hardware
installation example



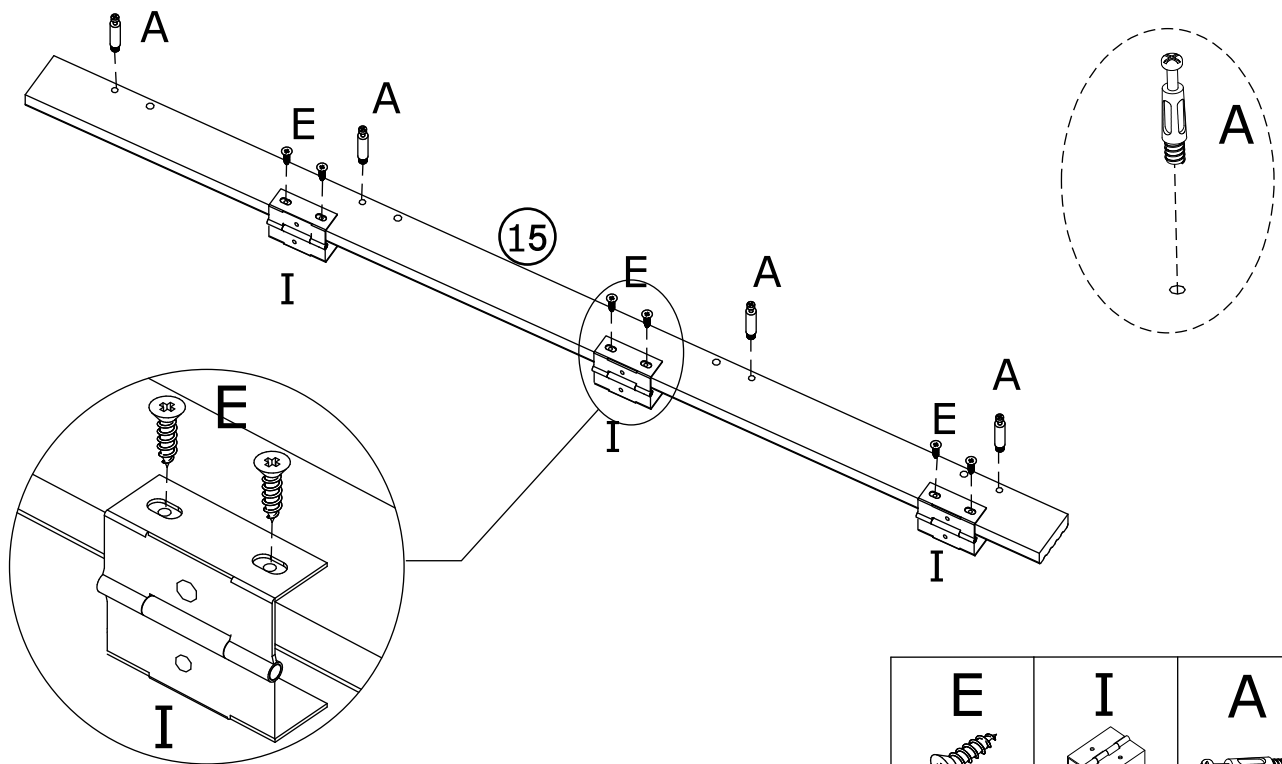
1.


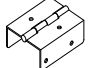



A

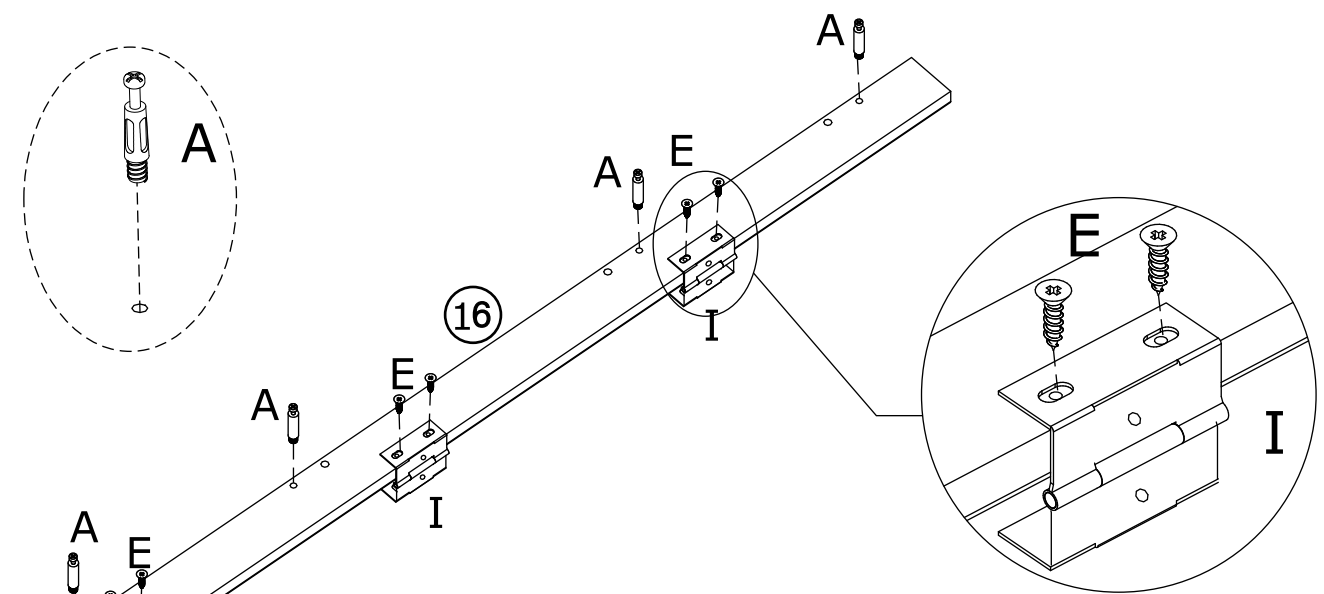
32pcs


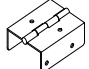

2.



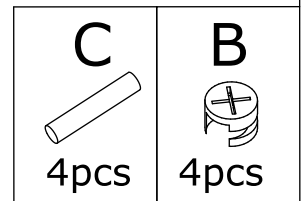
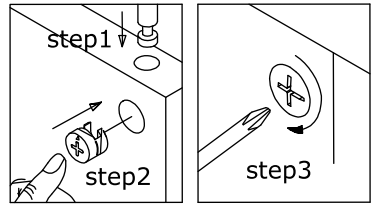
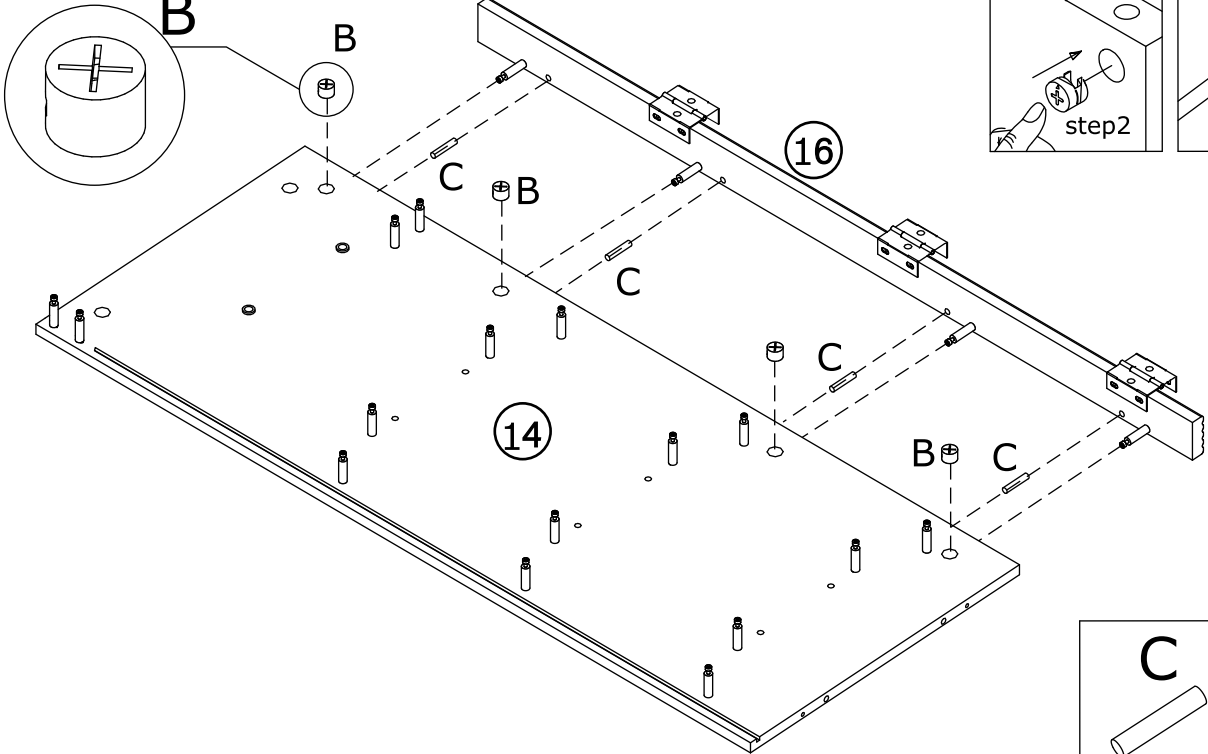
E 	I 	A 
6pcs	3pcs	4pcs

3.

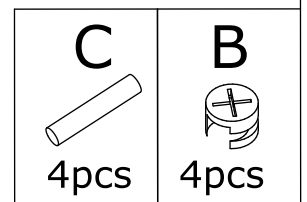
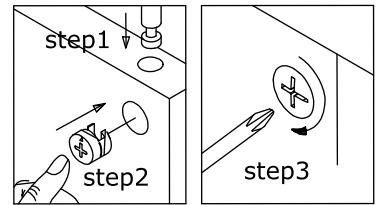
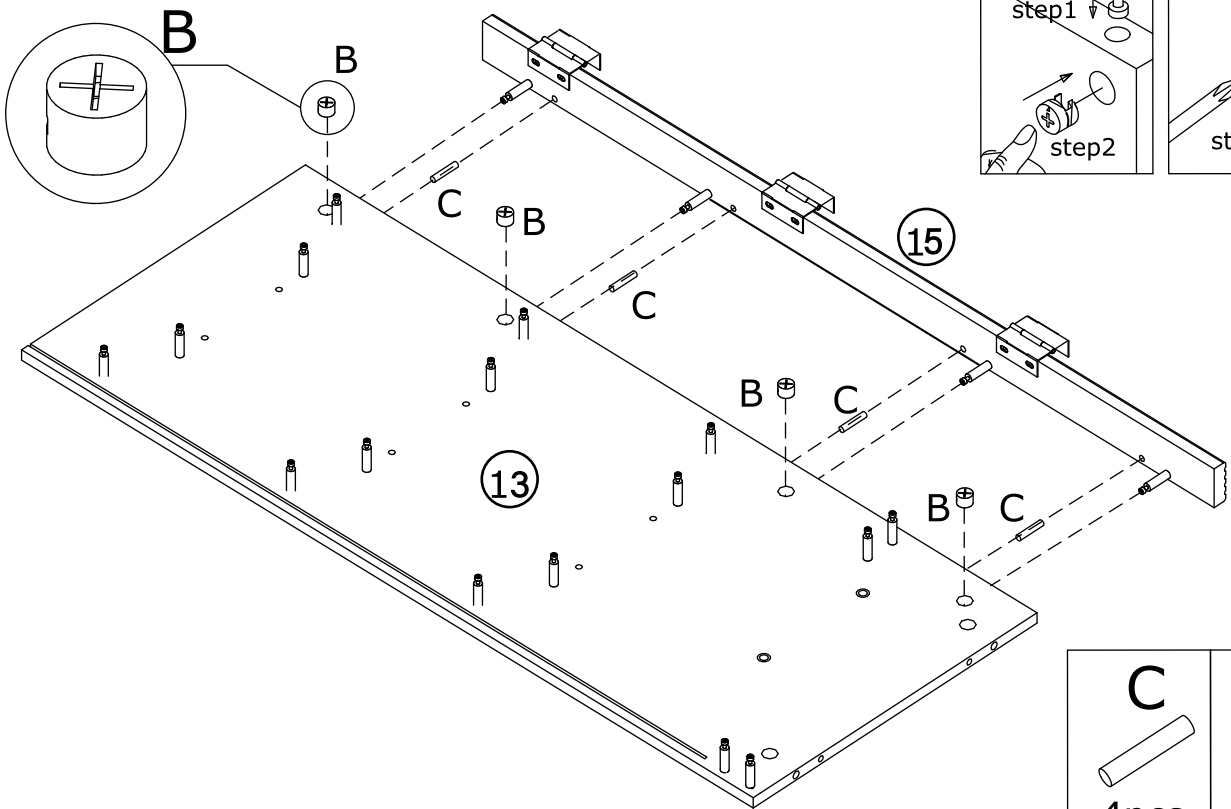


E 	I 	A 
6pcs	3pcs	4pcs

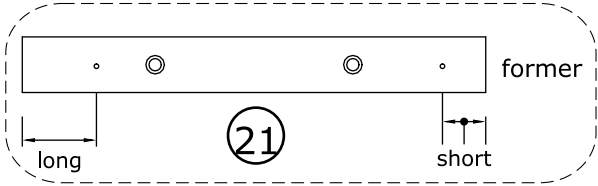
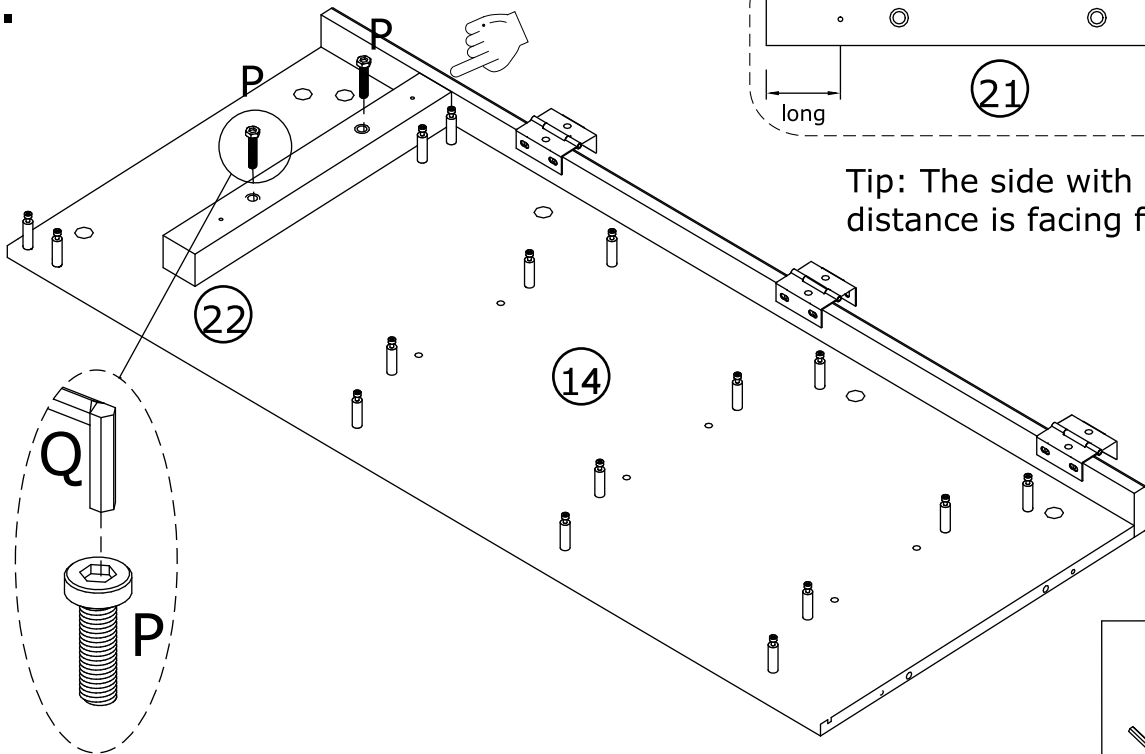
4.



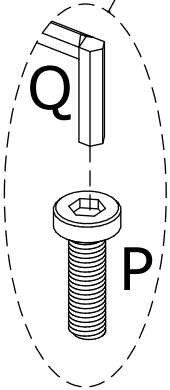
5.



6.

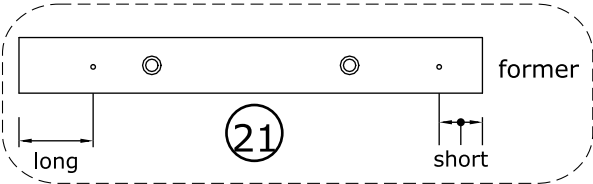
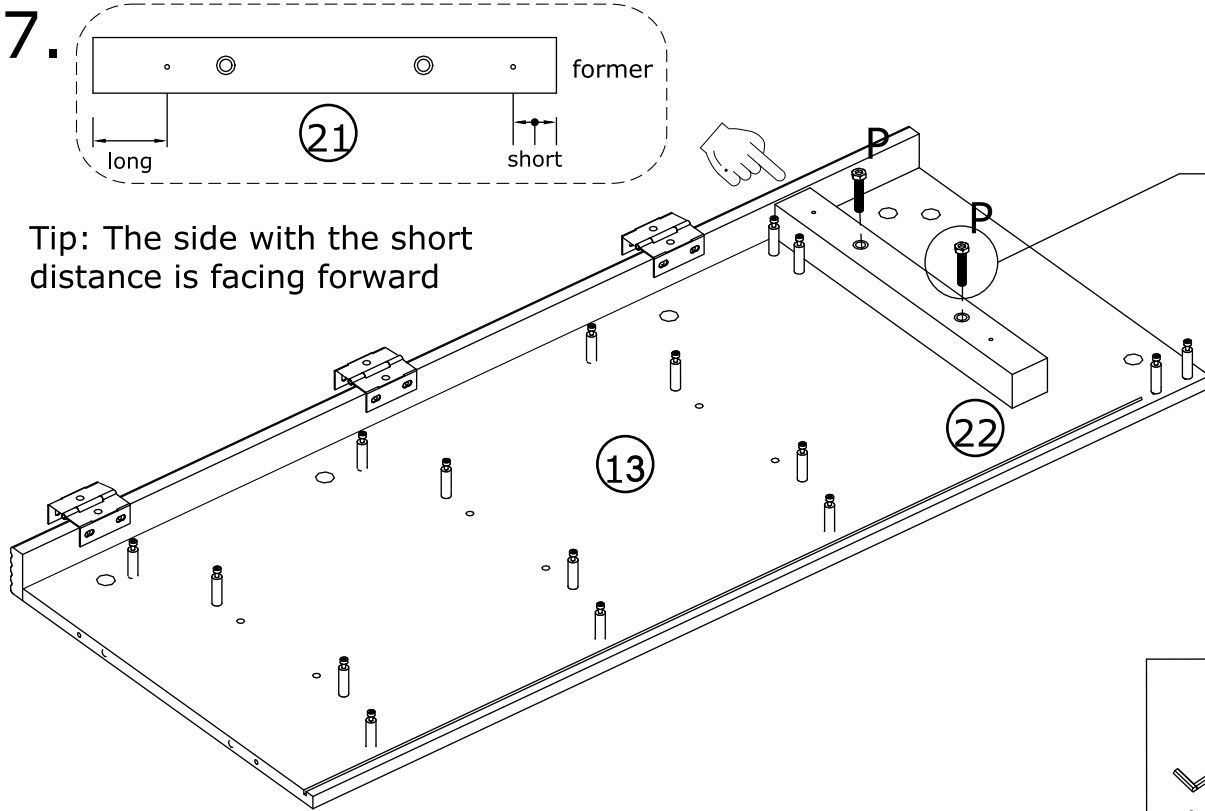


Tip: The side with the short distance is facing forward

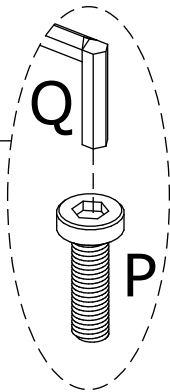


Q	P
1pcs	2pcs

7.

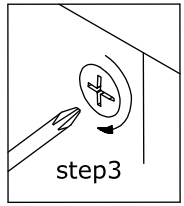
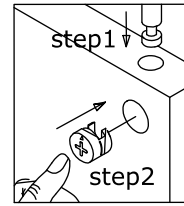
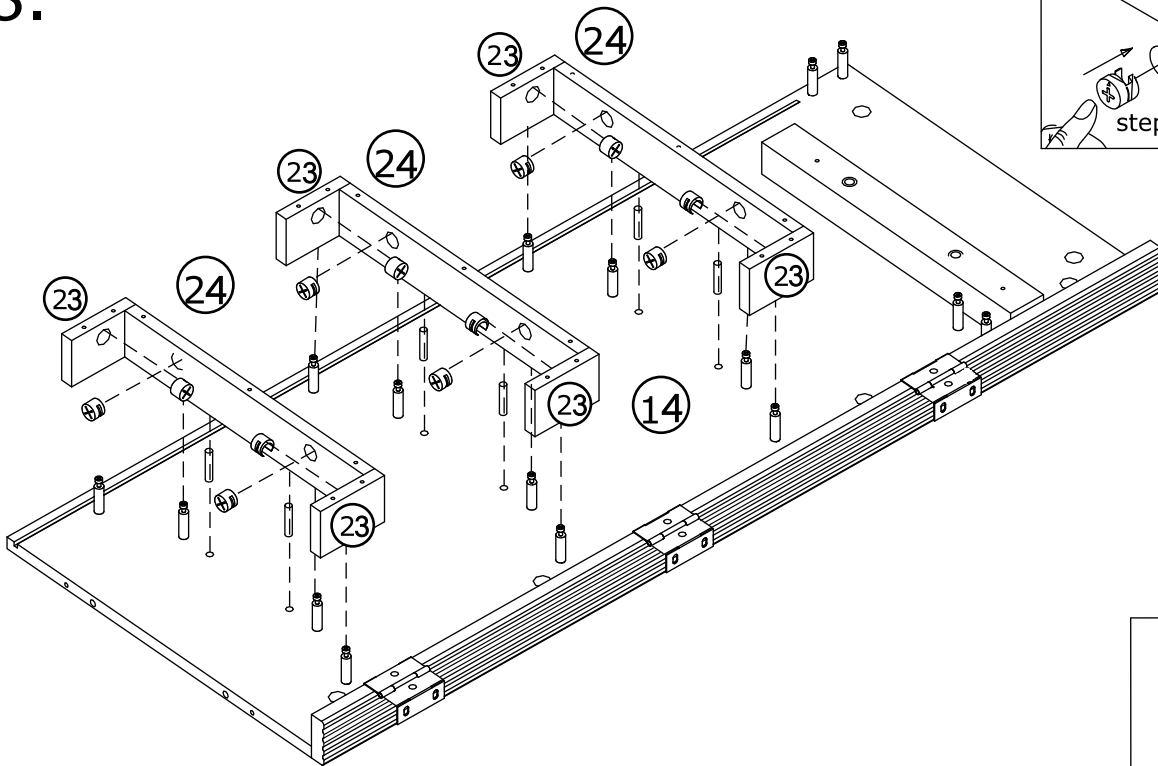


Tip: The side with the short distance is facing forward

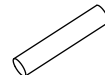


Q	P
1pcs	2pcs

8.



C



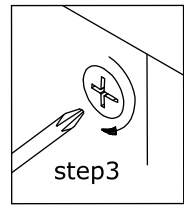
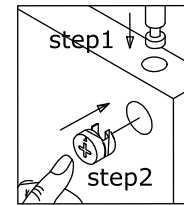
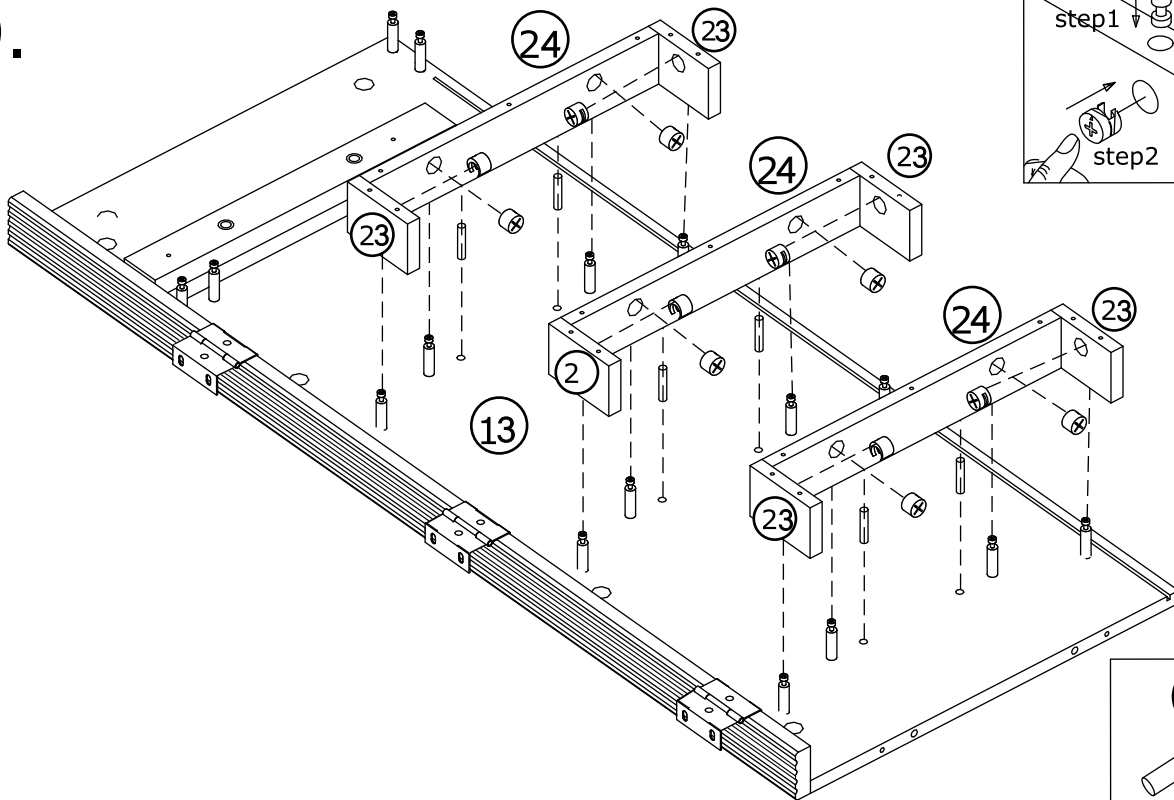
6pcs

B

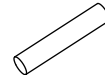


12pcs

9.



C



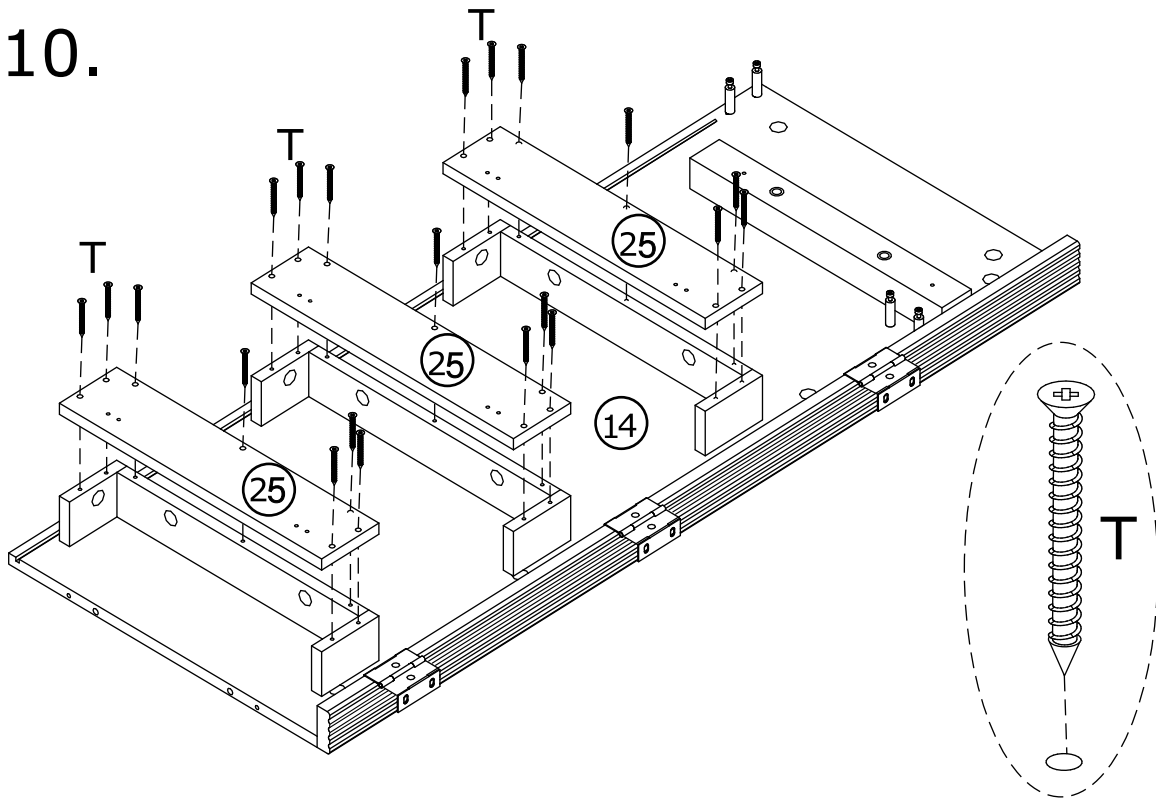
6pcs

B



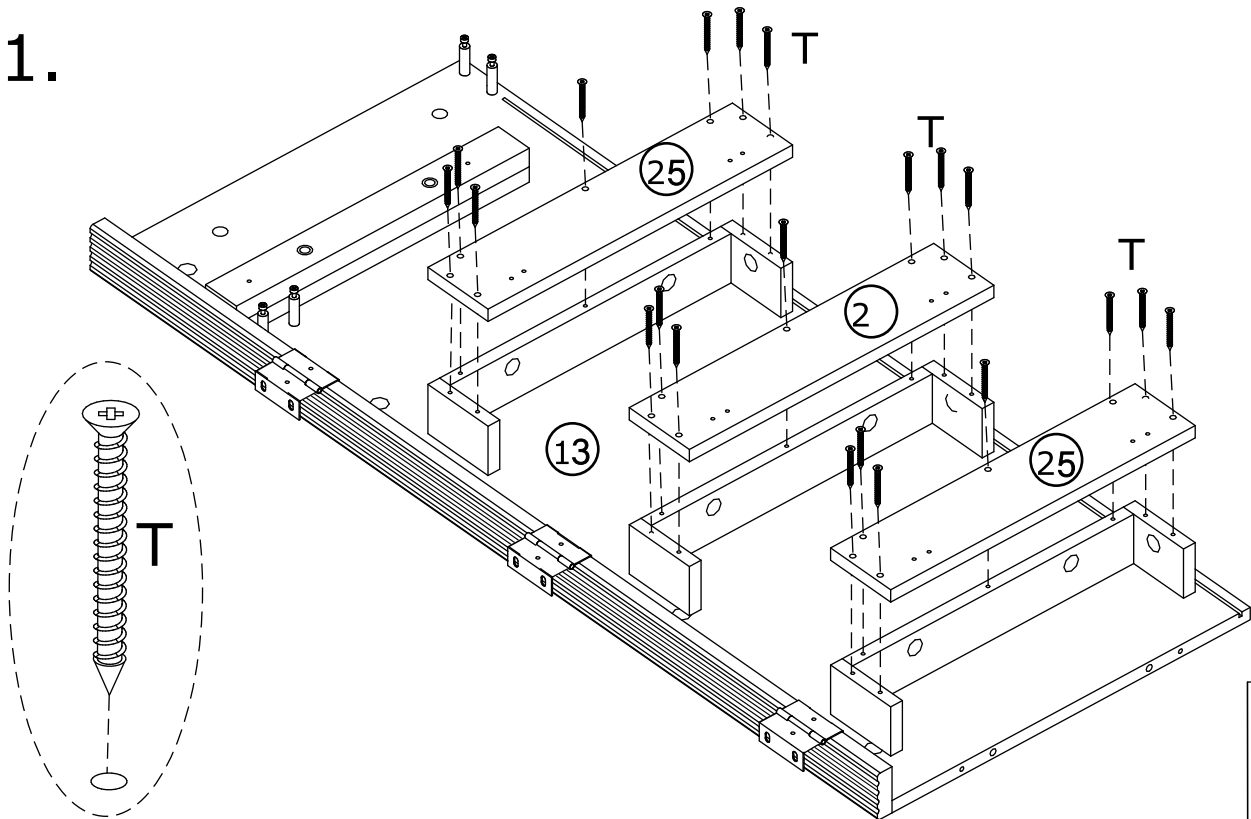
12pcs

10.



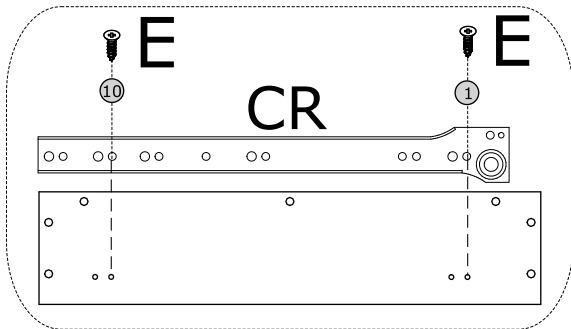
T
21pcs

11.

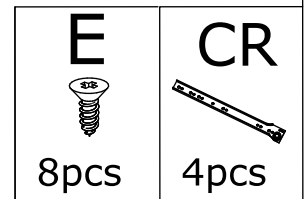
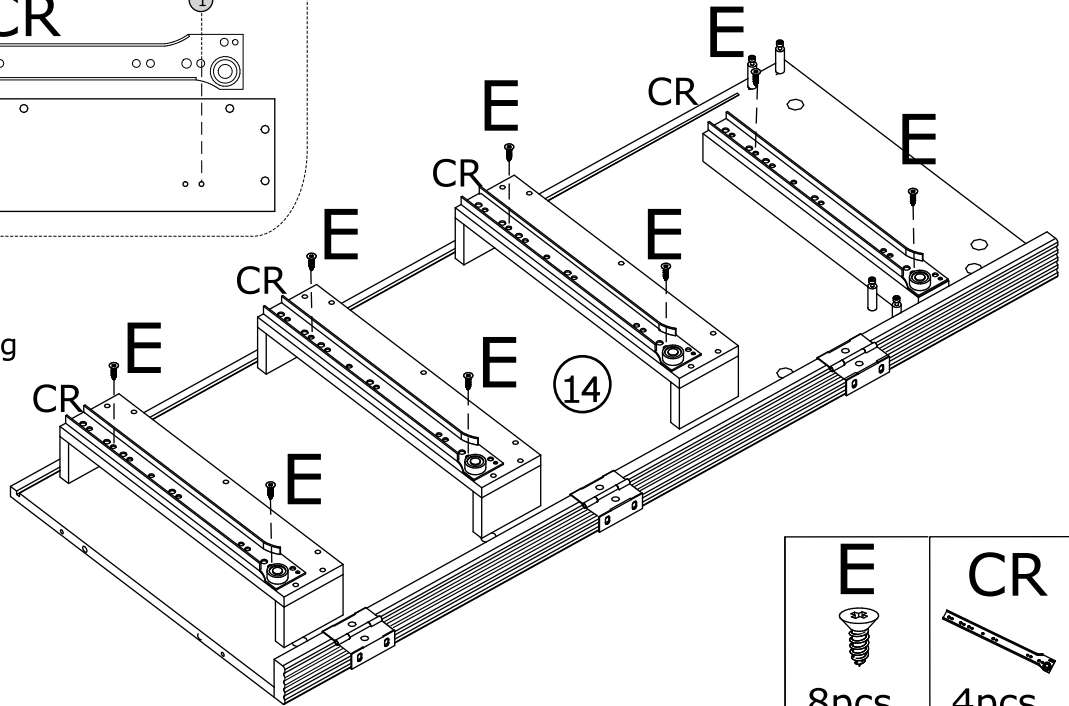


T
21pcs

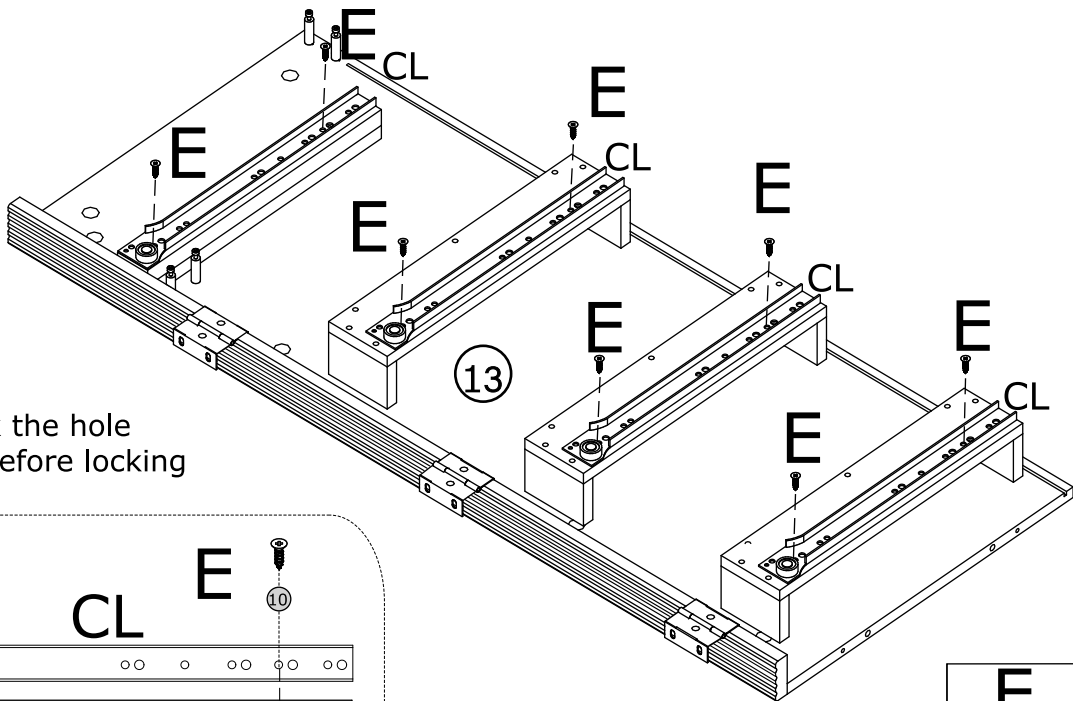
12.



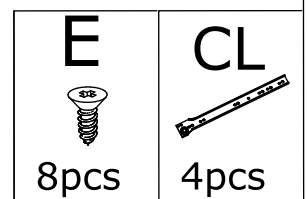
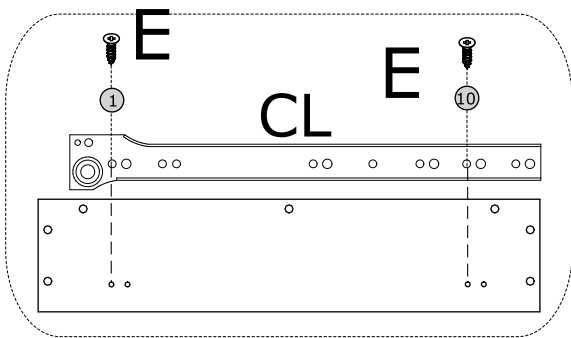
Tip: Check the hole position before locking



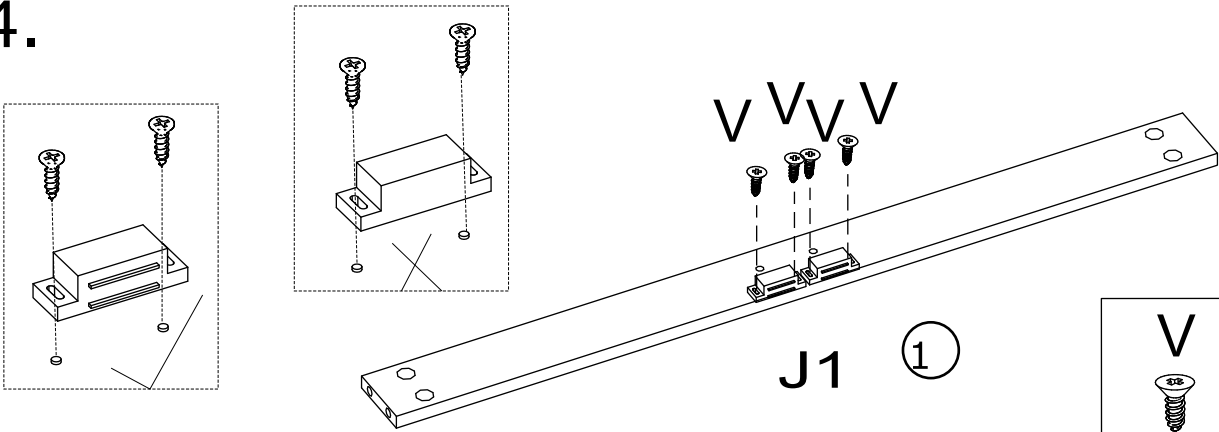
13.


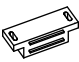


Tip: Check the hole position before locking

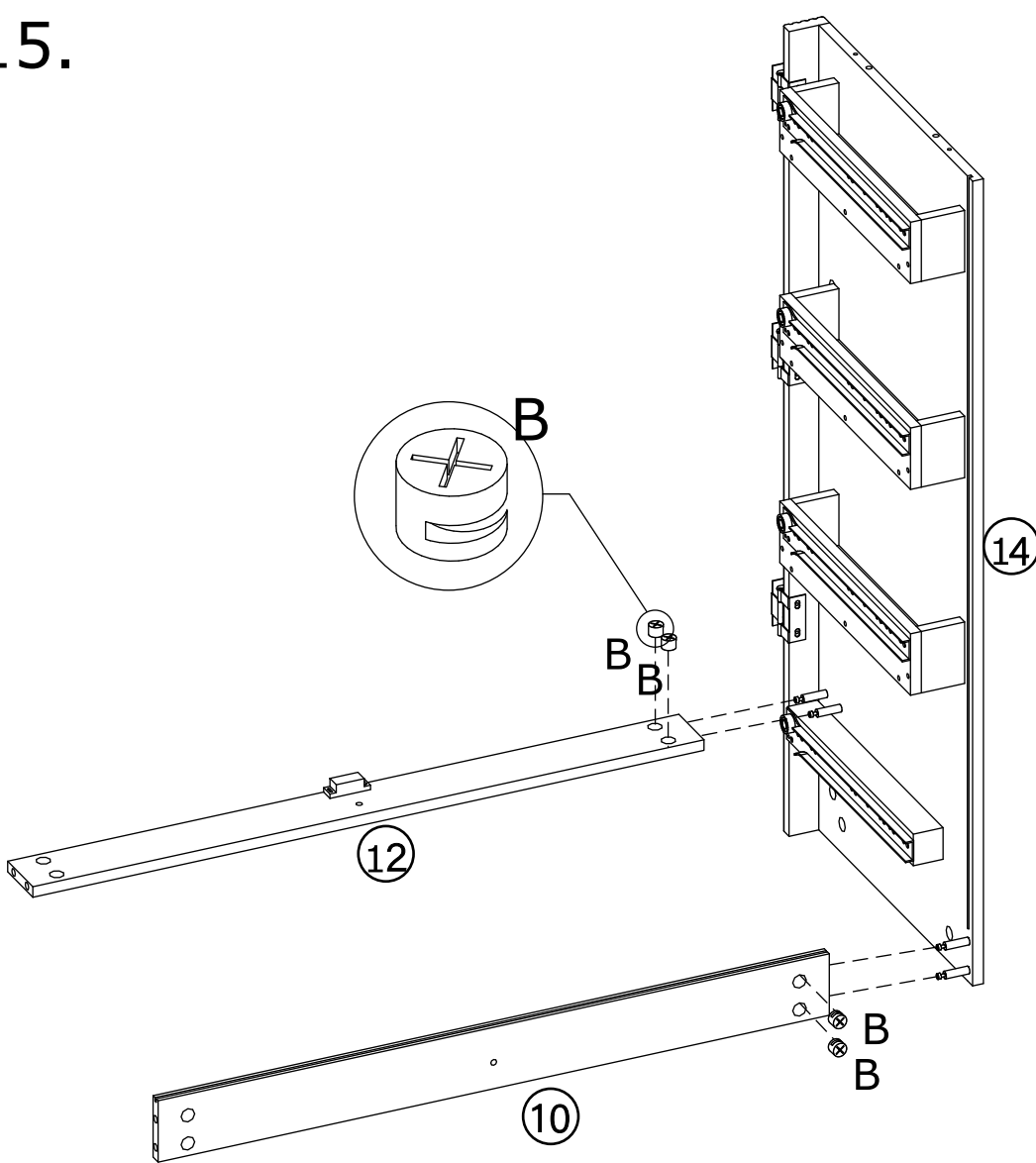



14.



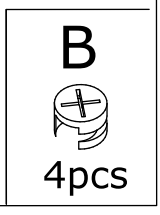
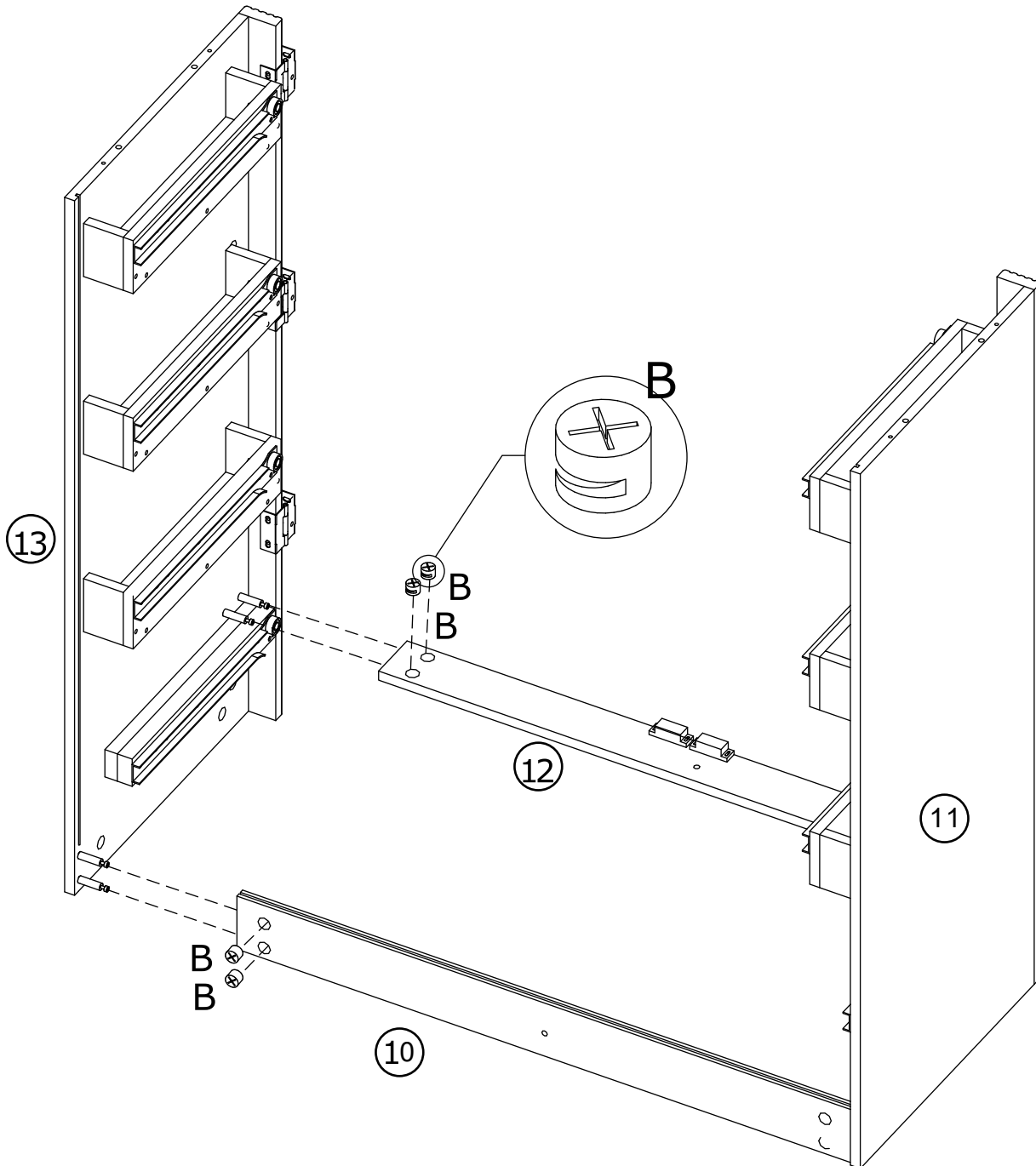
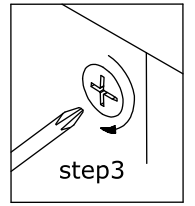
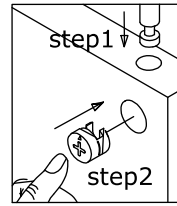
 4pcs	 2pcs
---	---

15.

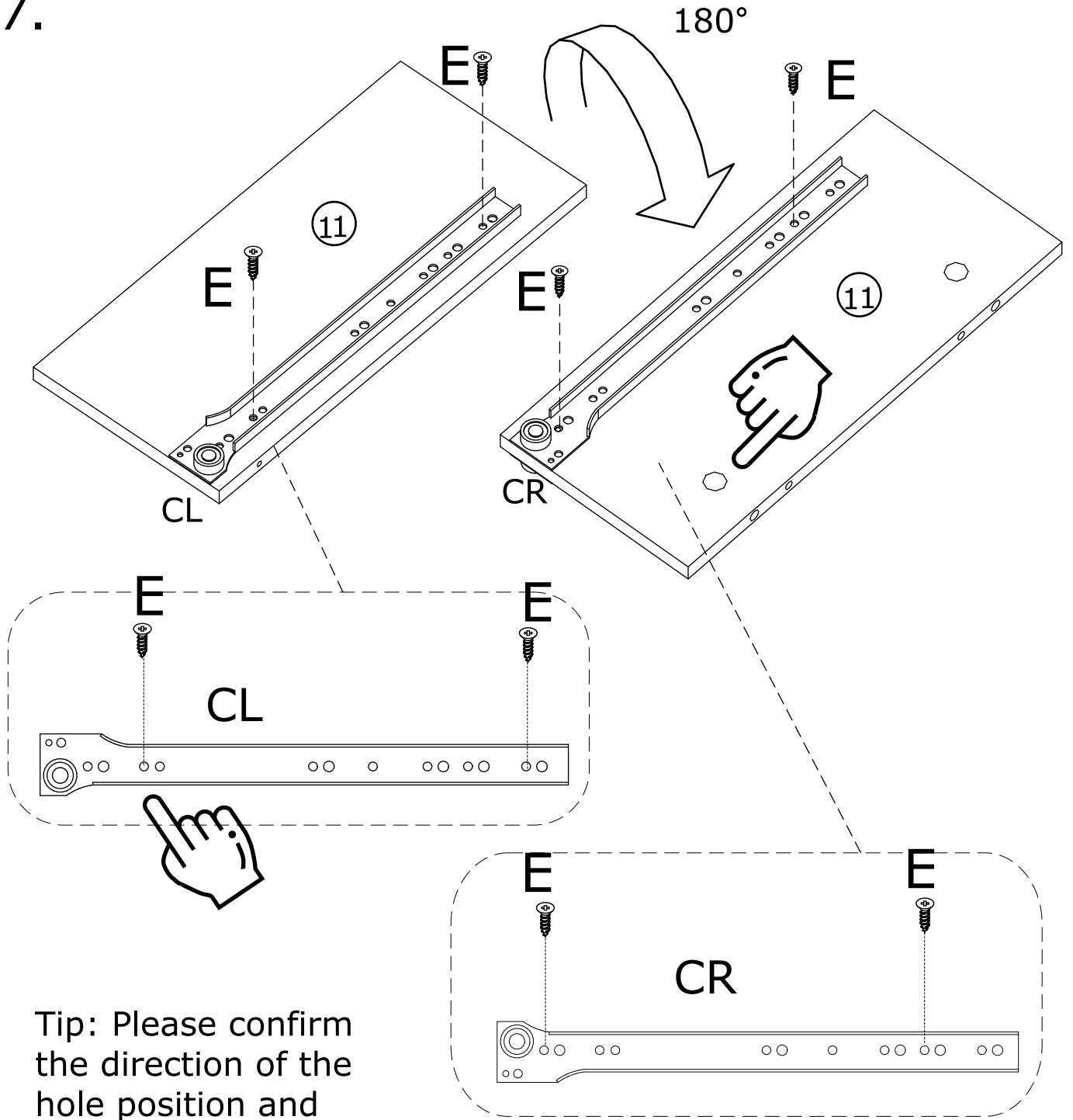


 4pcs



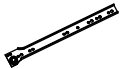
16.



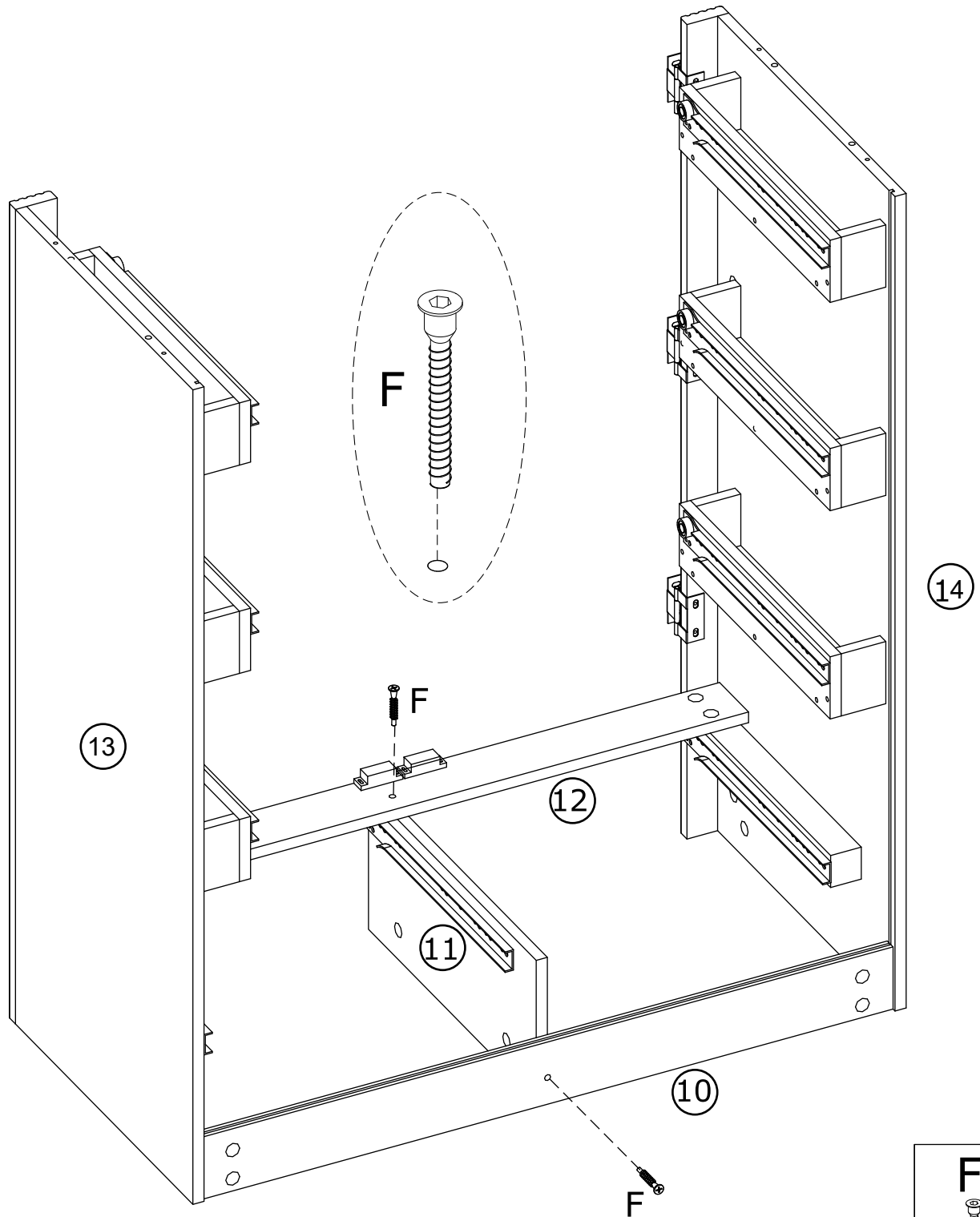
17.

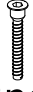


Tip: Please confirm the direction of the hole position and lock it

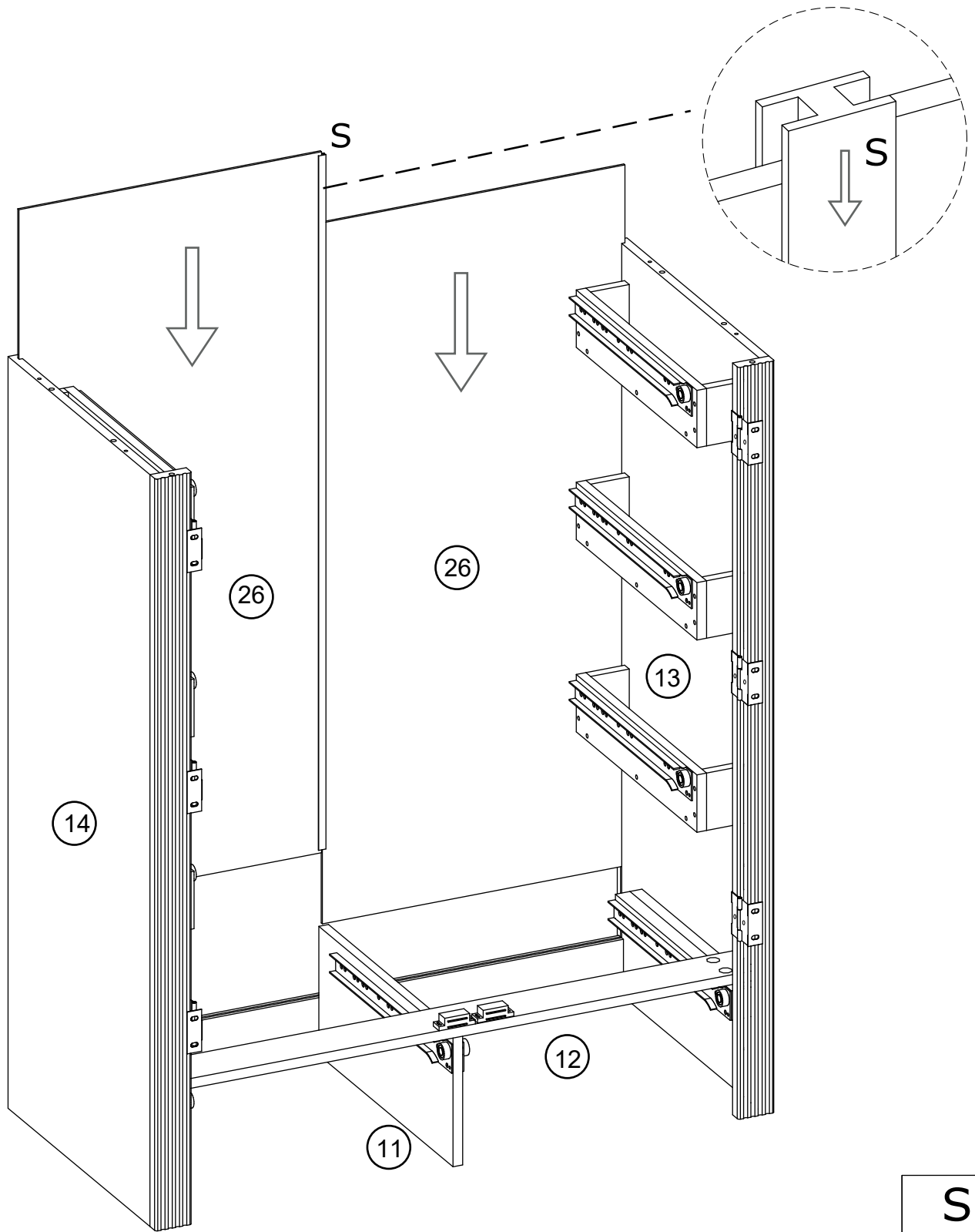
E  4pcs	CR  1pcs	CL  1pcs
---	--	--

18.



F

2 pcs

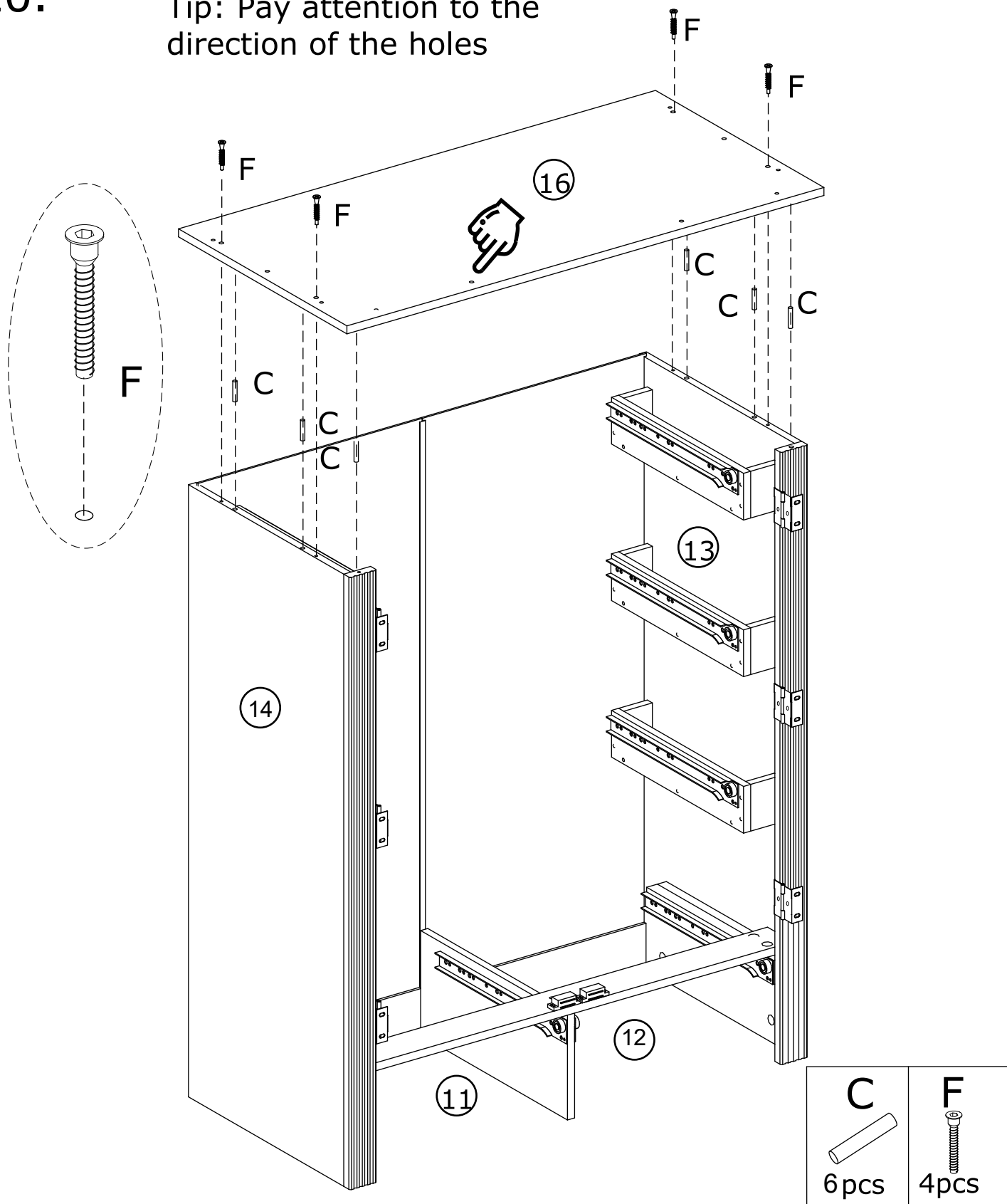
19.



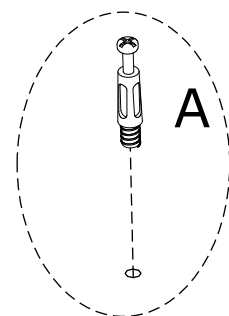
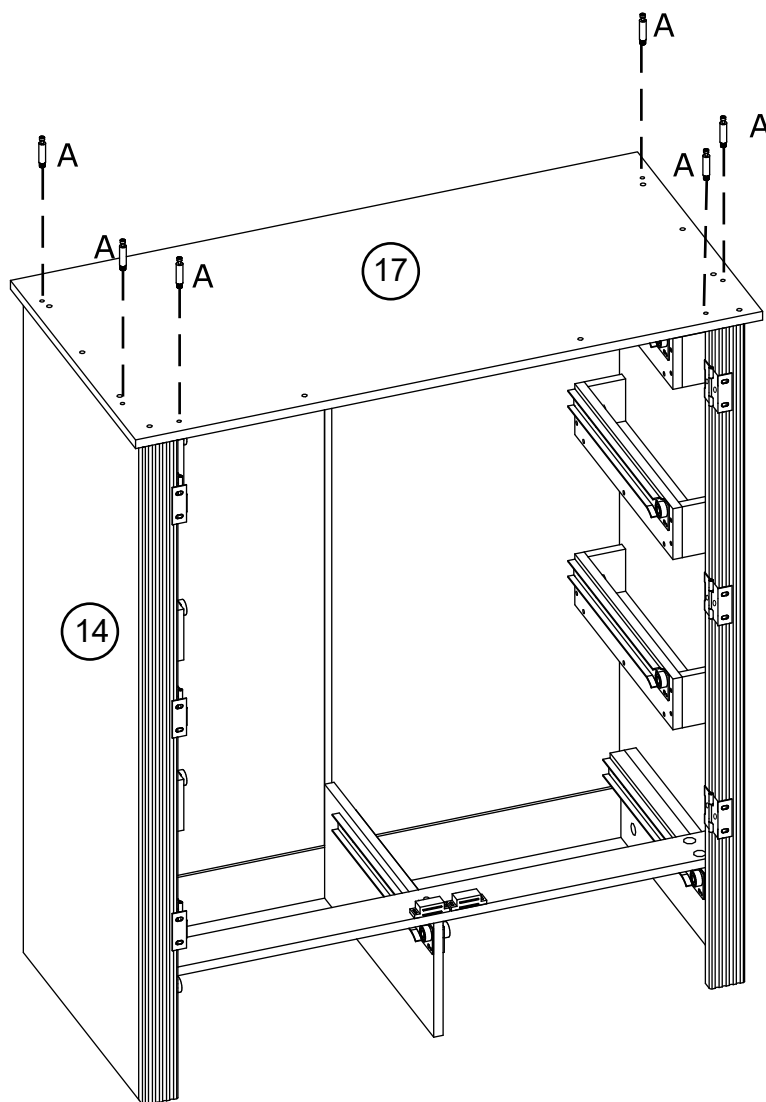
S
1 pcs

20.

Tip: Pay attention to the direction of the holes



21.

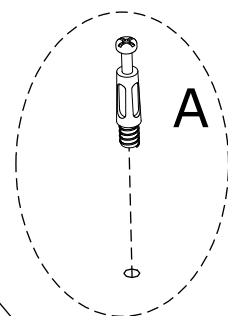
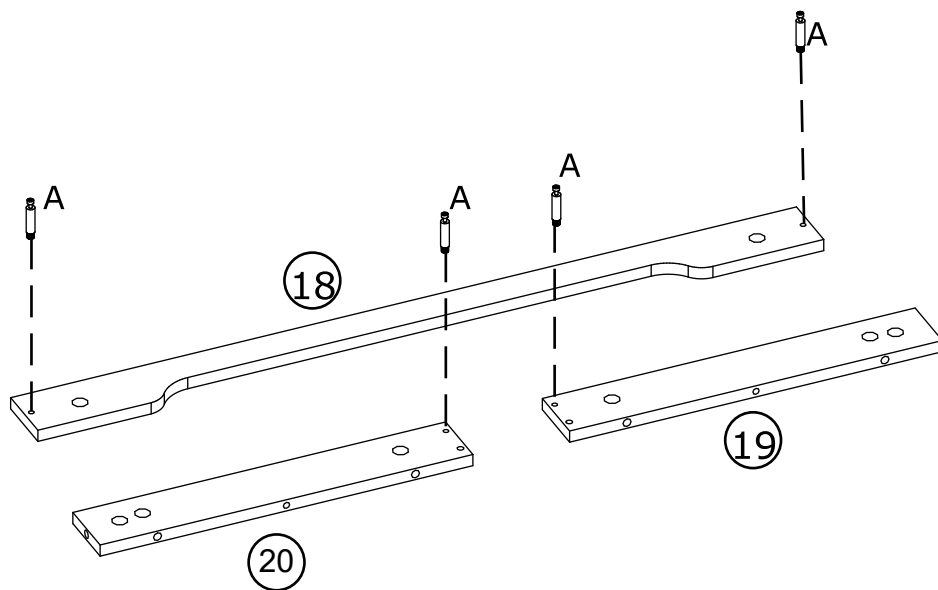


A

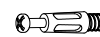


6pcs

22.

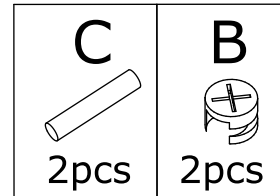
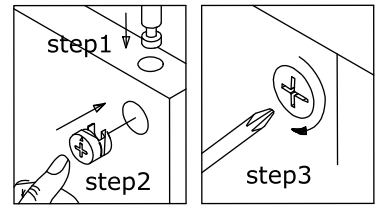
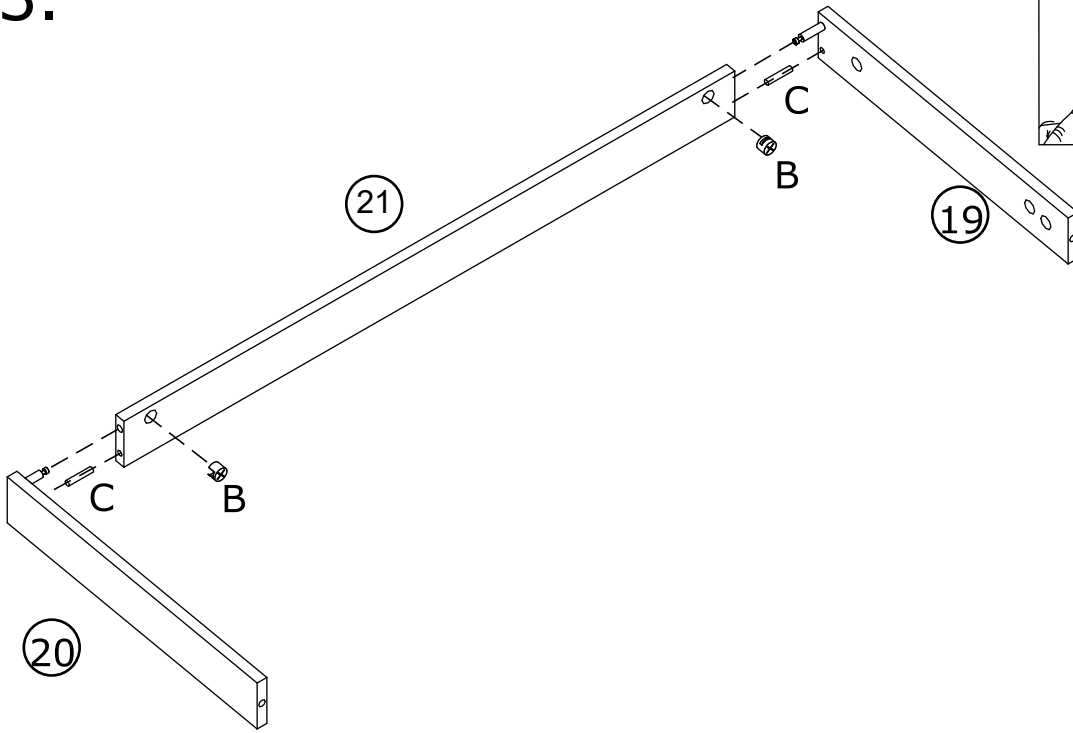


A

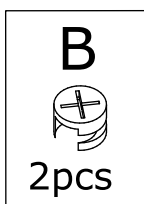
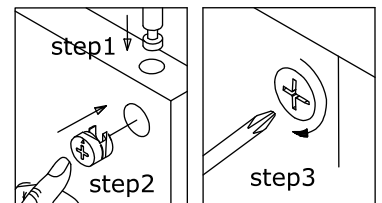
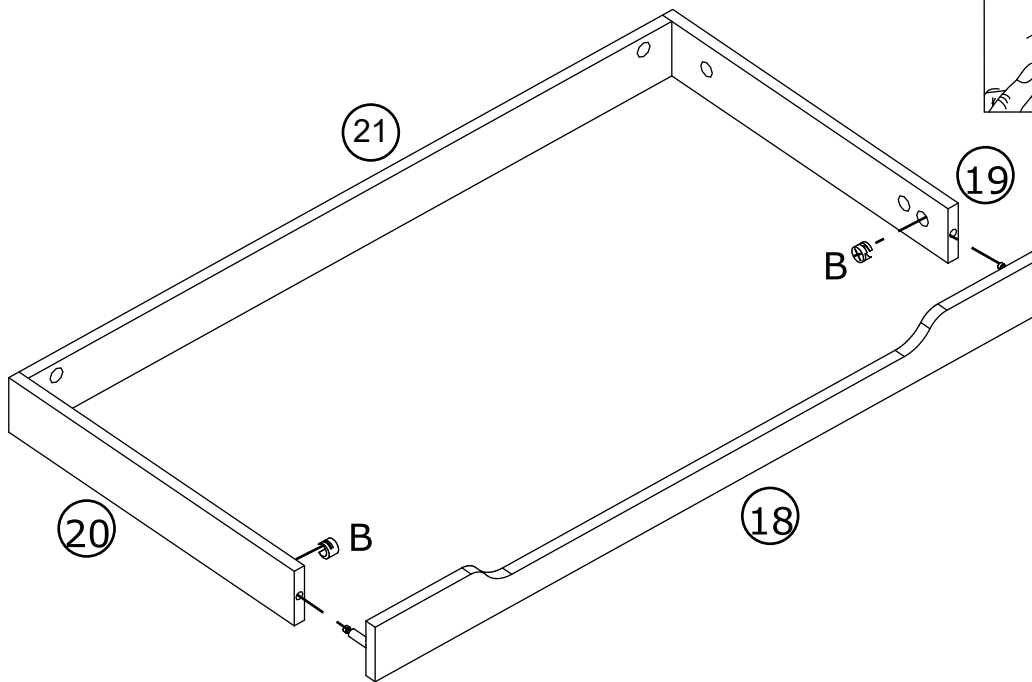


4pcs

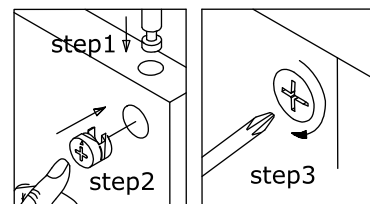
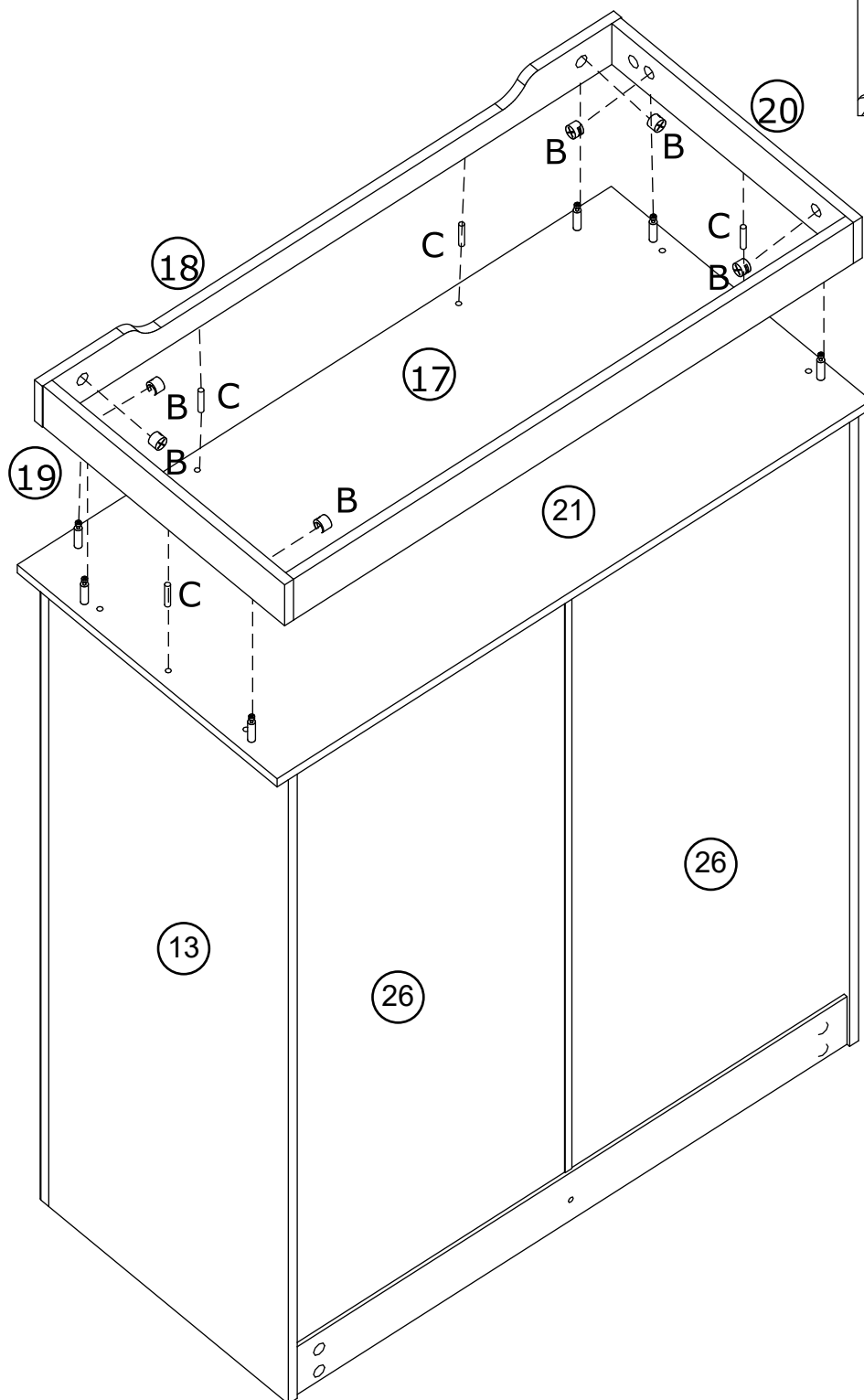
23.

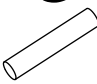



24.

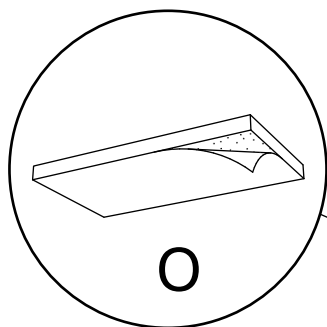


25.

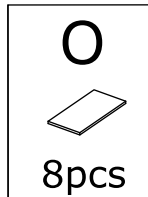
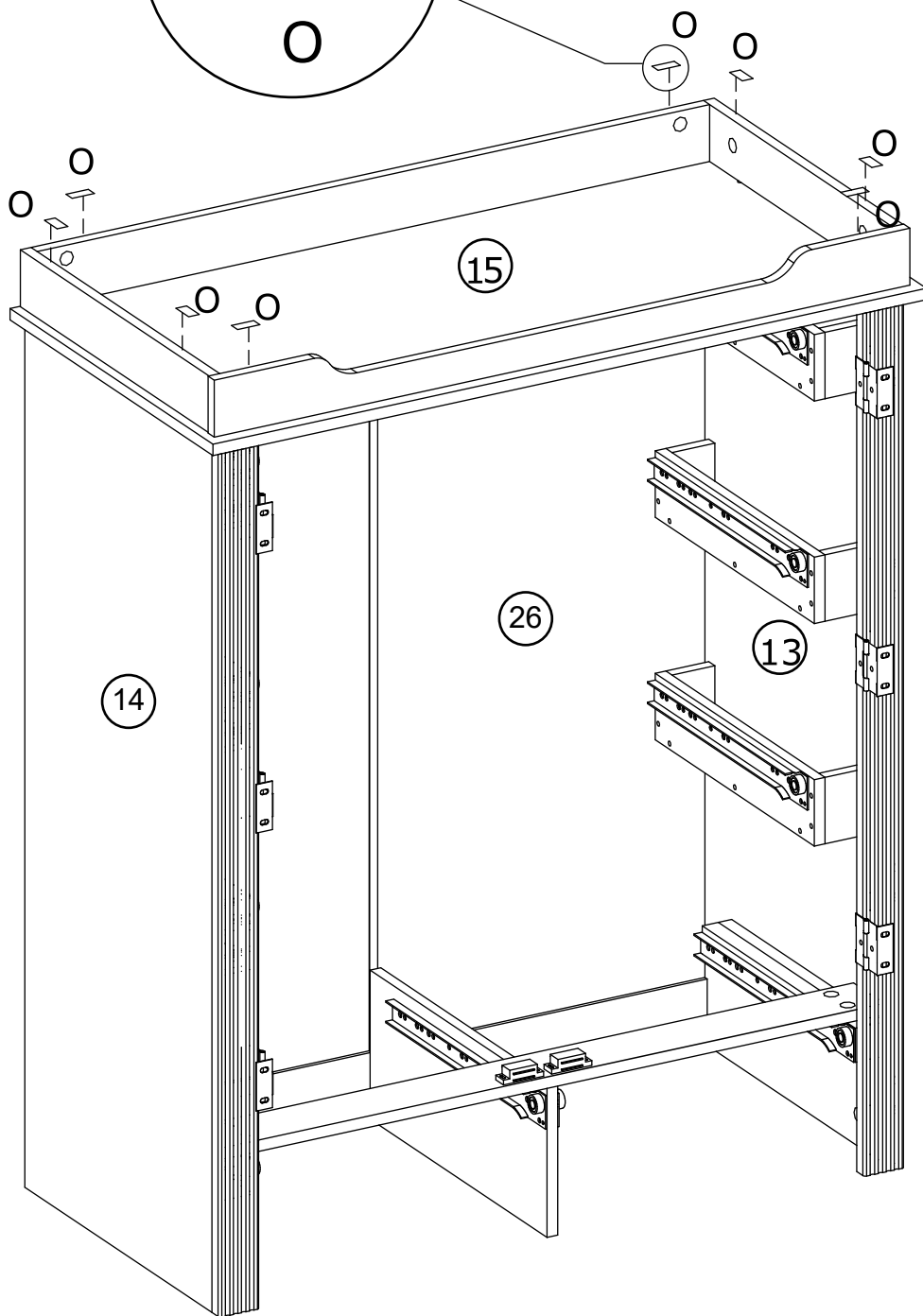


C  4pcs	B  6pcs
---	---

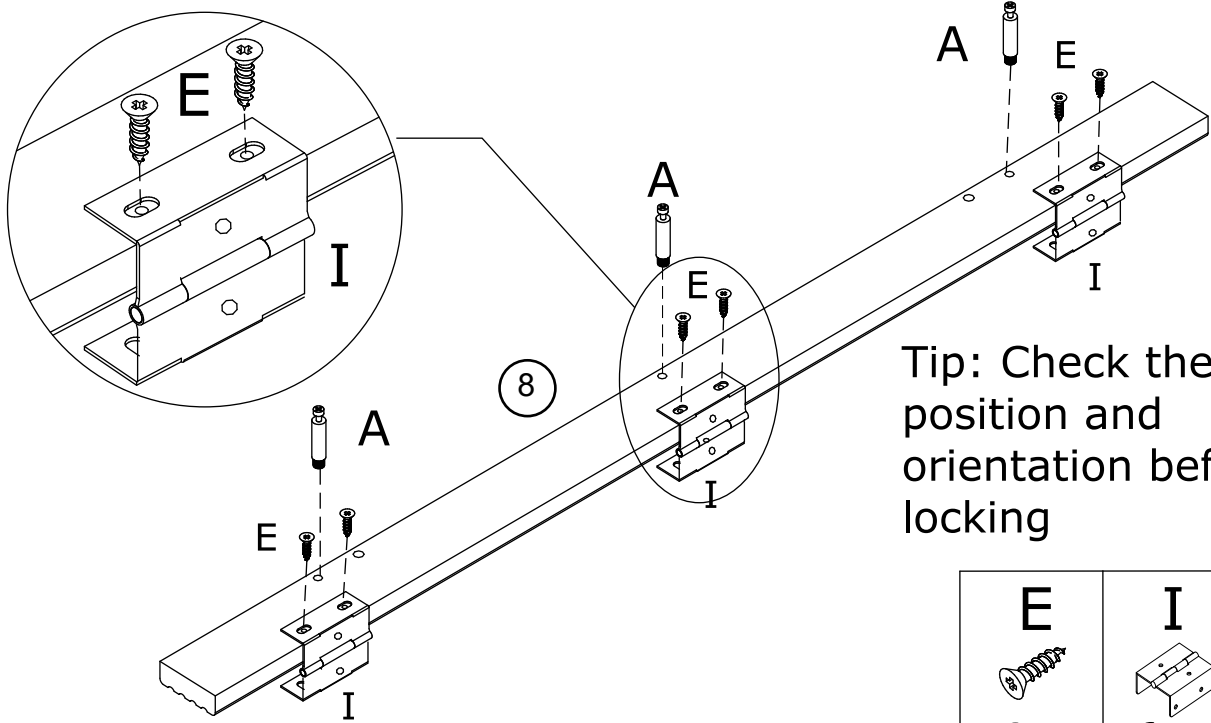
26.




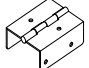

Tip: Stick after tearing



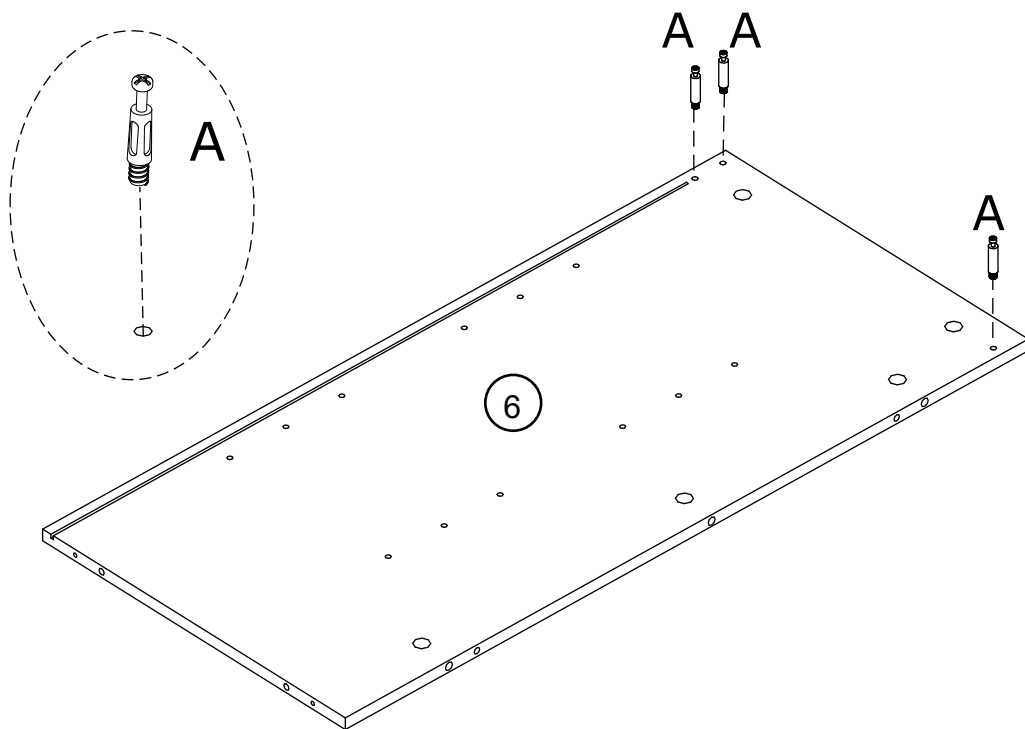
27.x2




Tip: Check the hinge position and orientation before locking

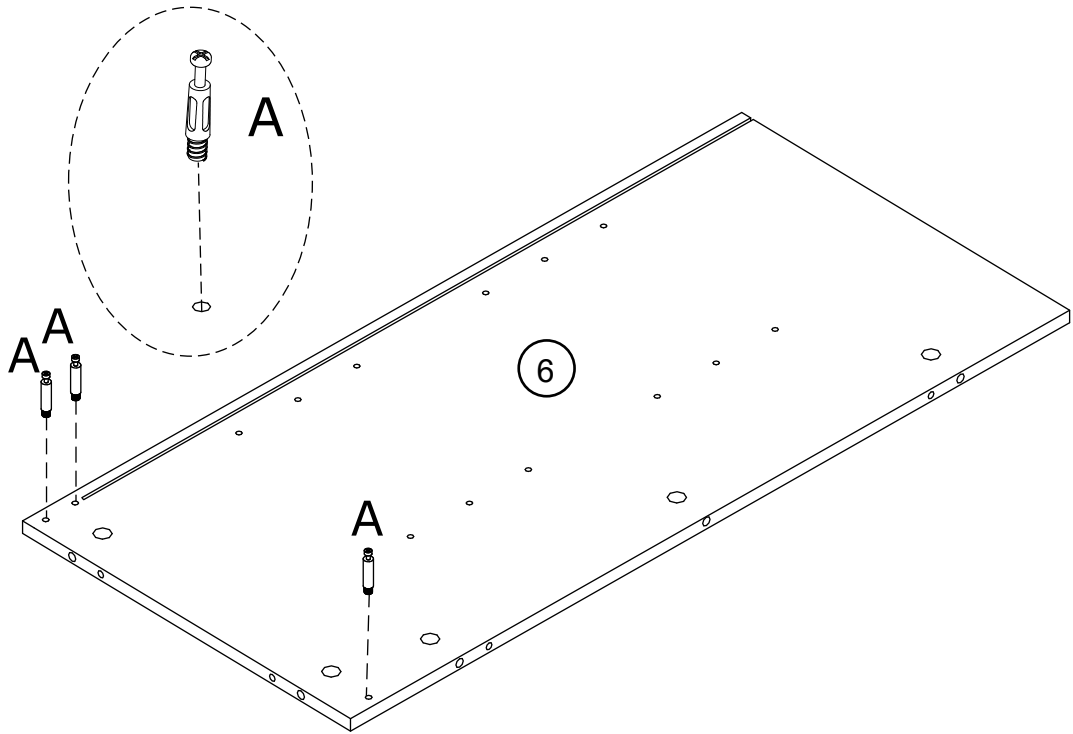
E  12pcs	I  6pcs	A  6pcs
--	---	---

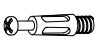
28.



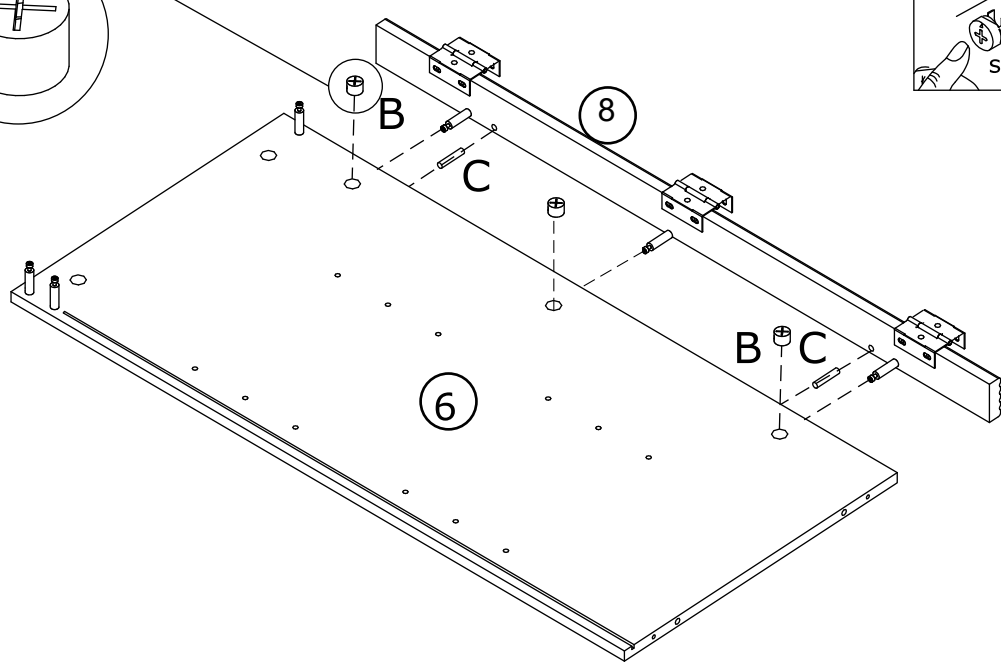
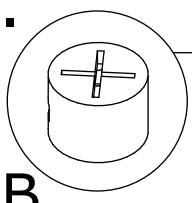
A  3pcs

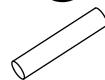

29.



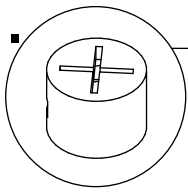
A

3pcs

30.

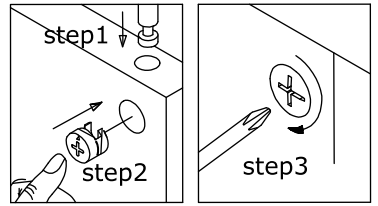
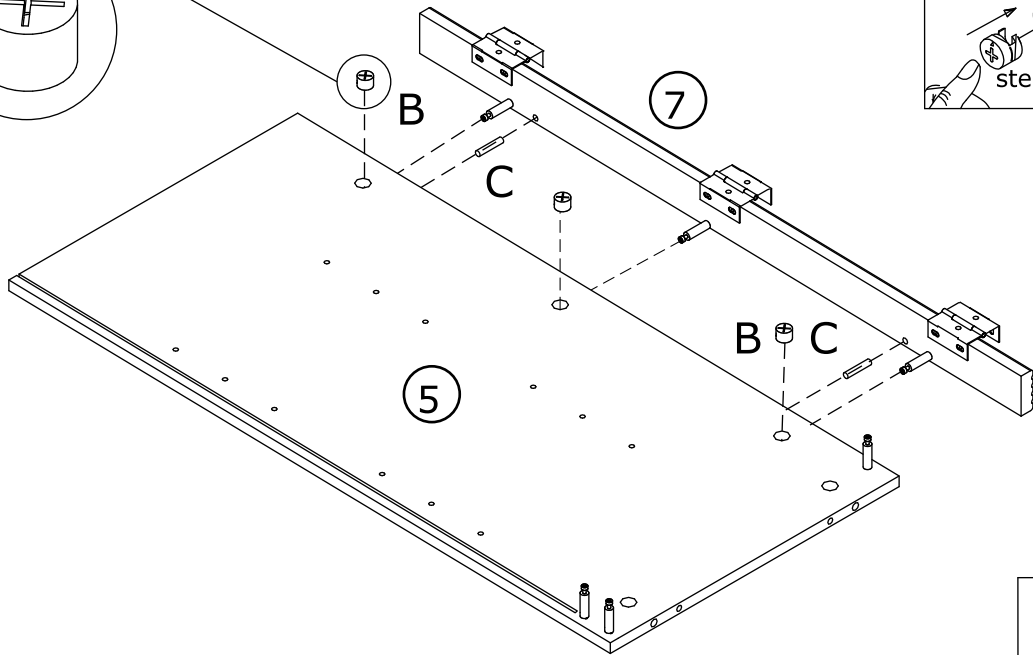


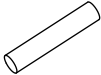

C  2pcs	B  3pcs
---	---

31.

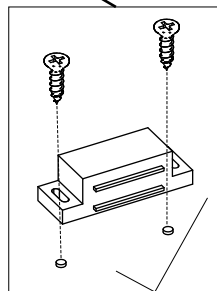
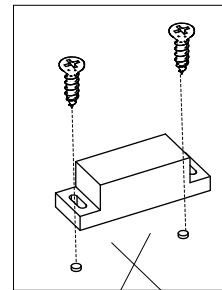
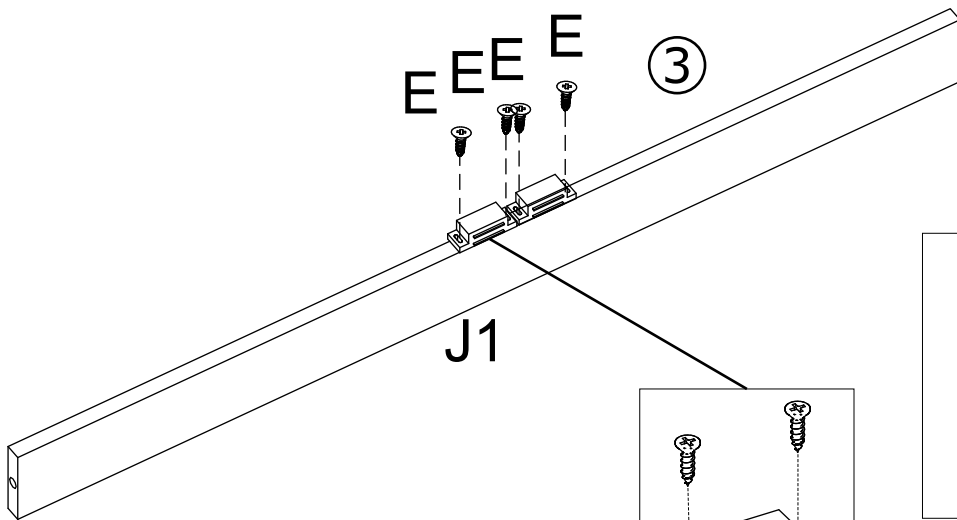



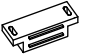
B



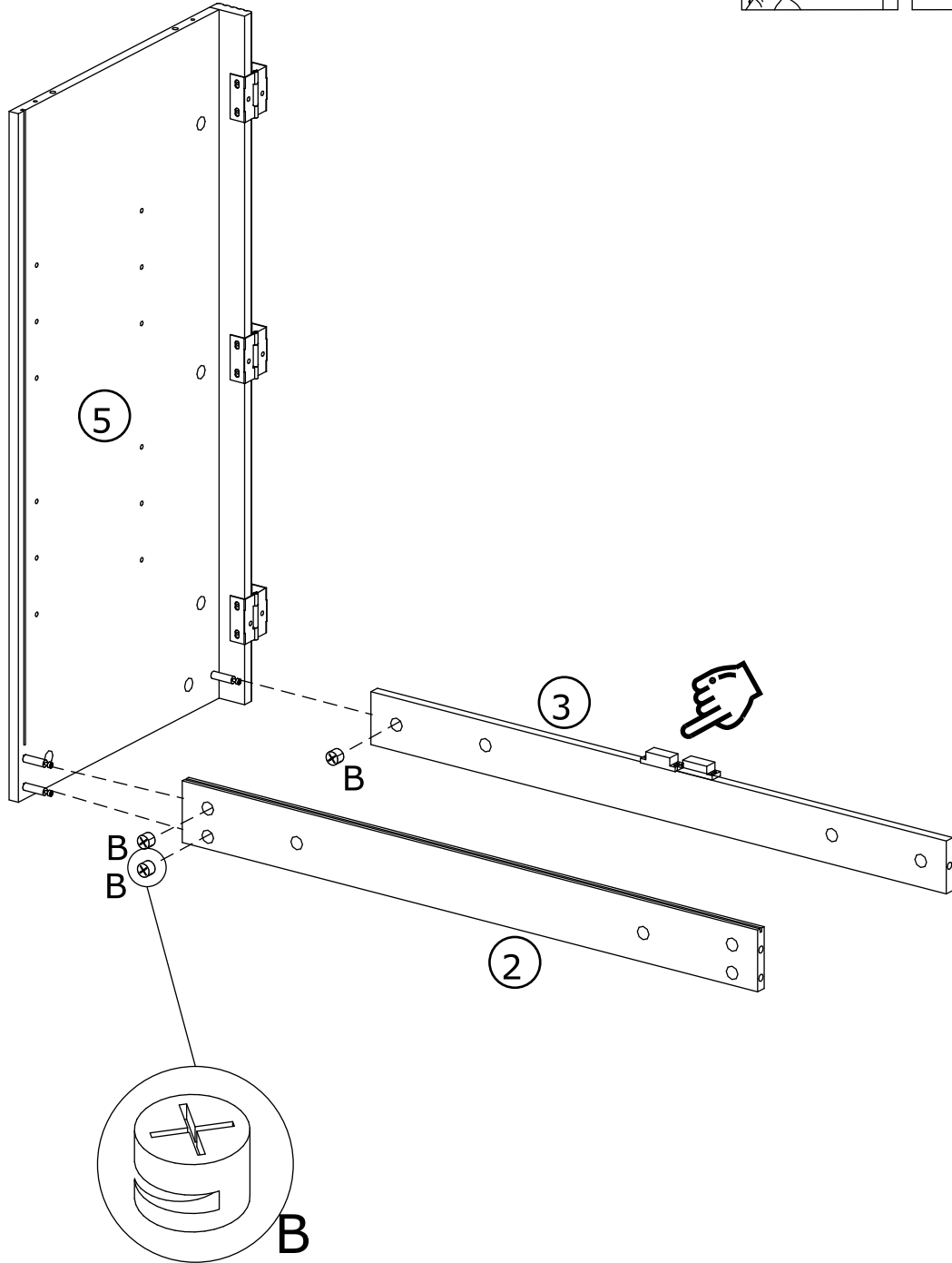
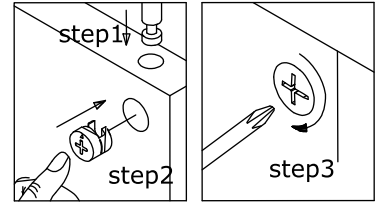
C  2 pcs	B  3 pcs
--	--

32.



E  4 pcs	J1  2 pcs
--	---

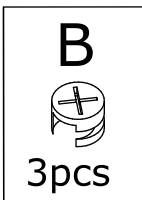
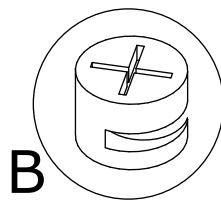
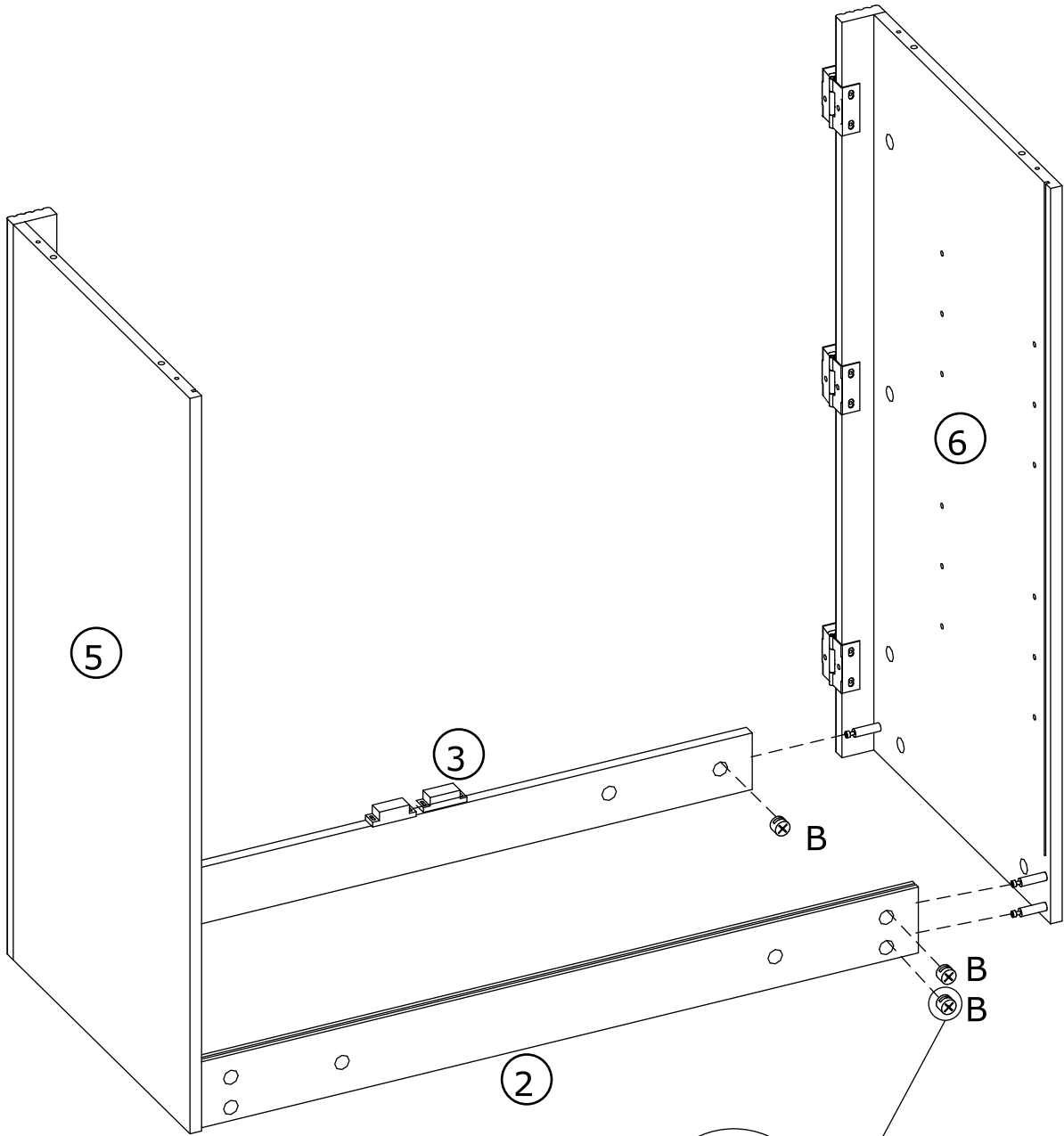
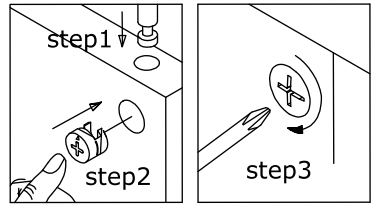
33.



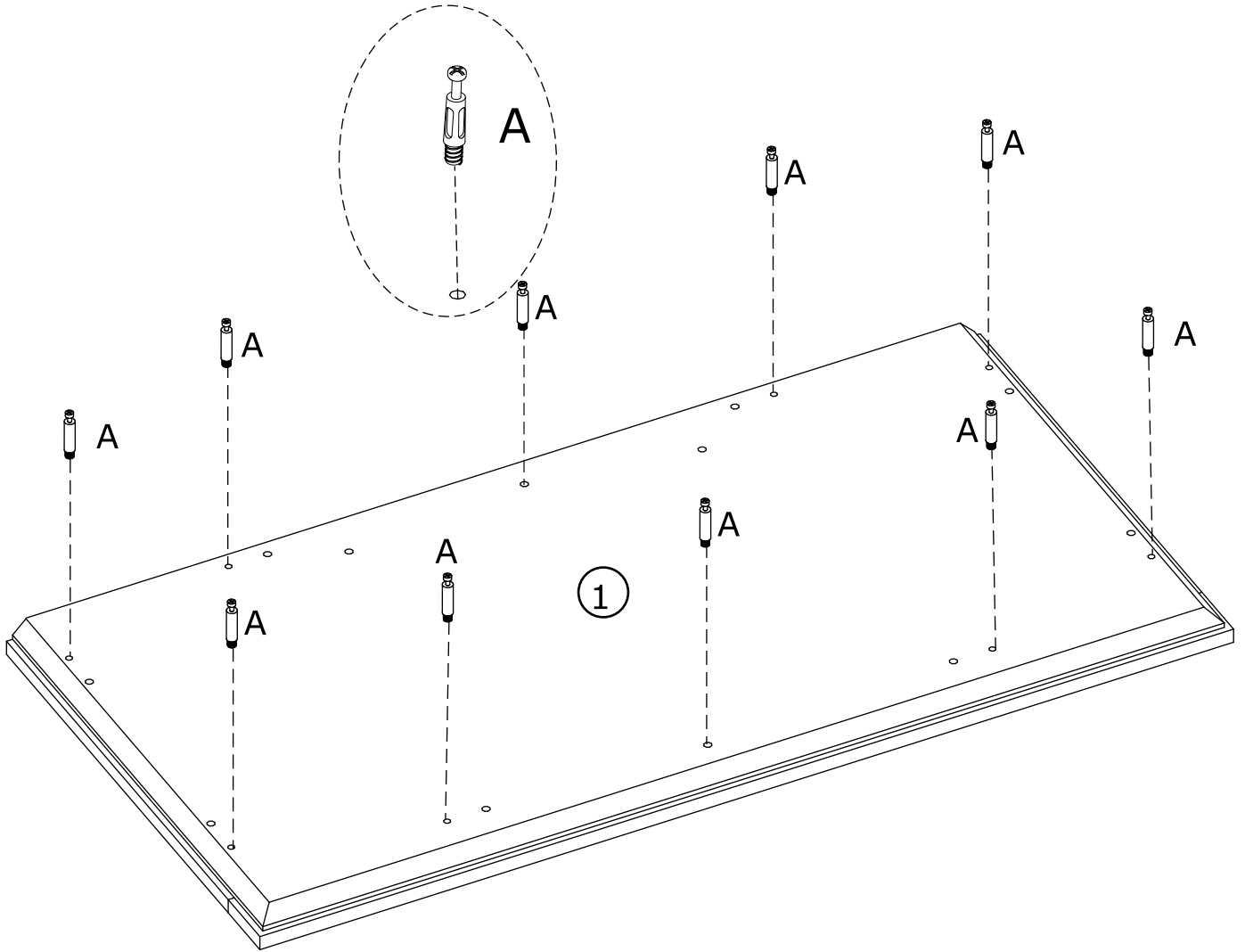
B

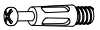
3pcs

34.

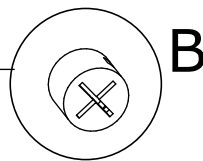
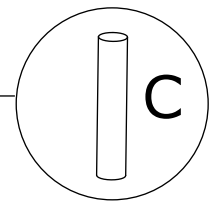
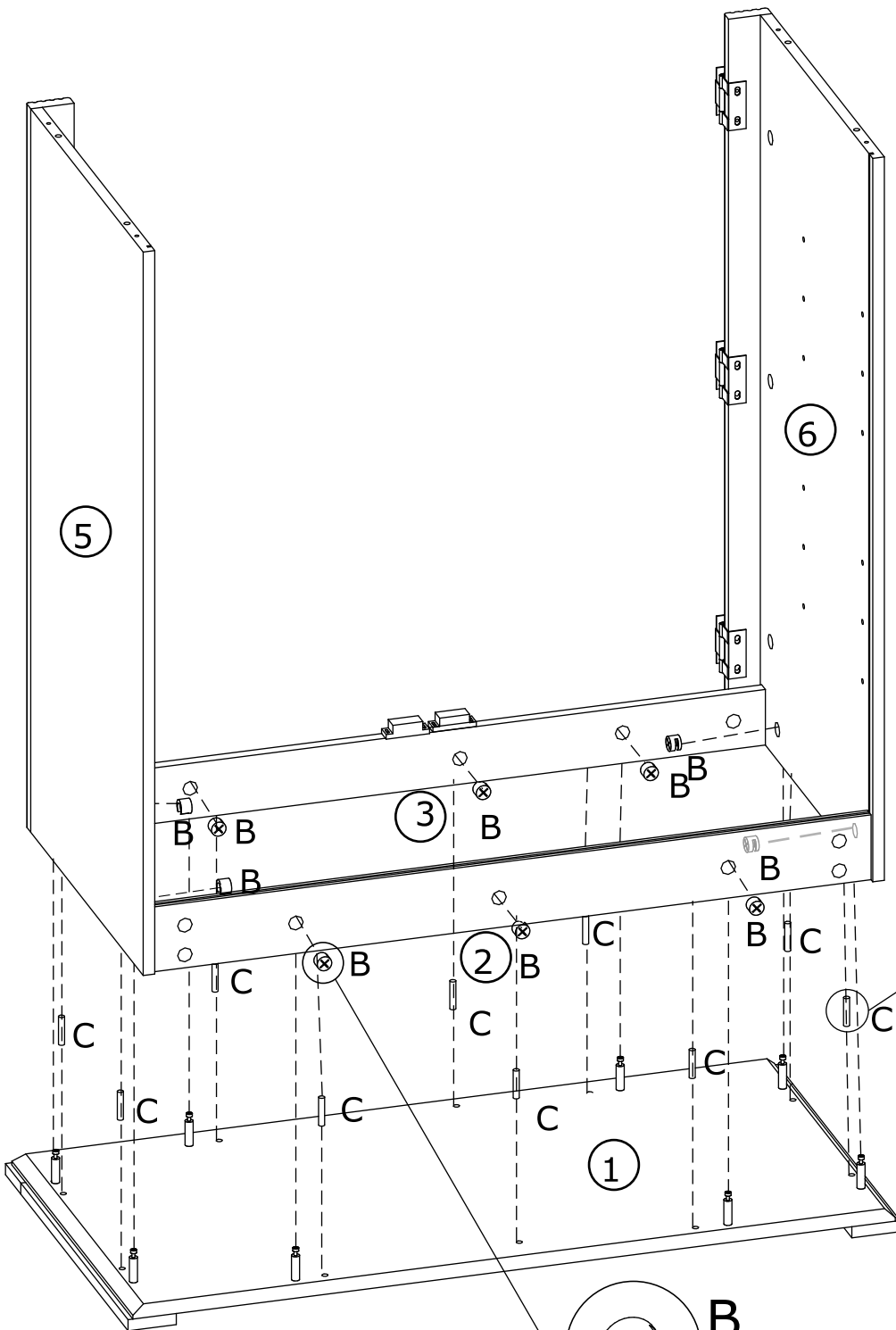
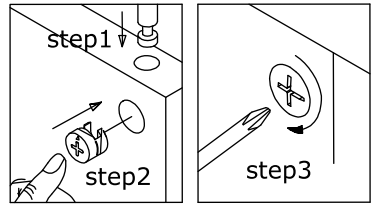


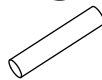

35.



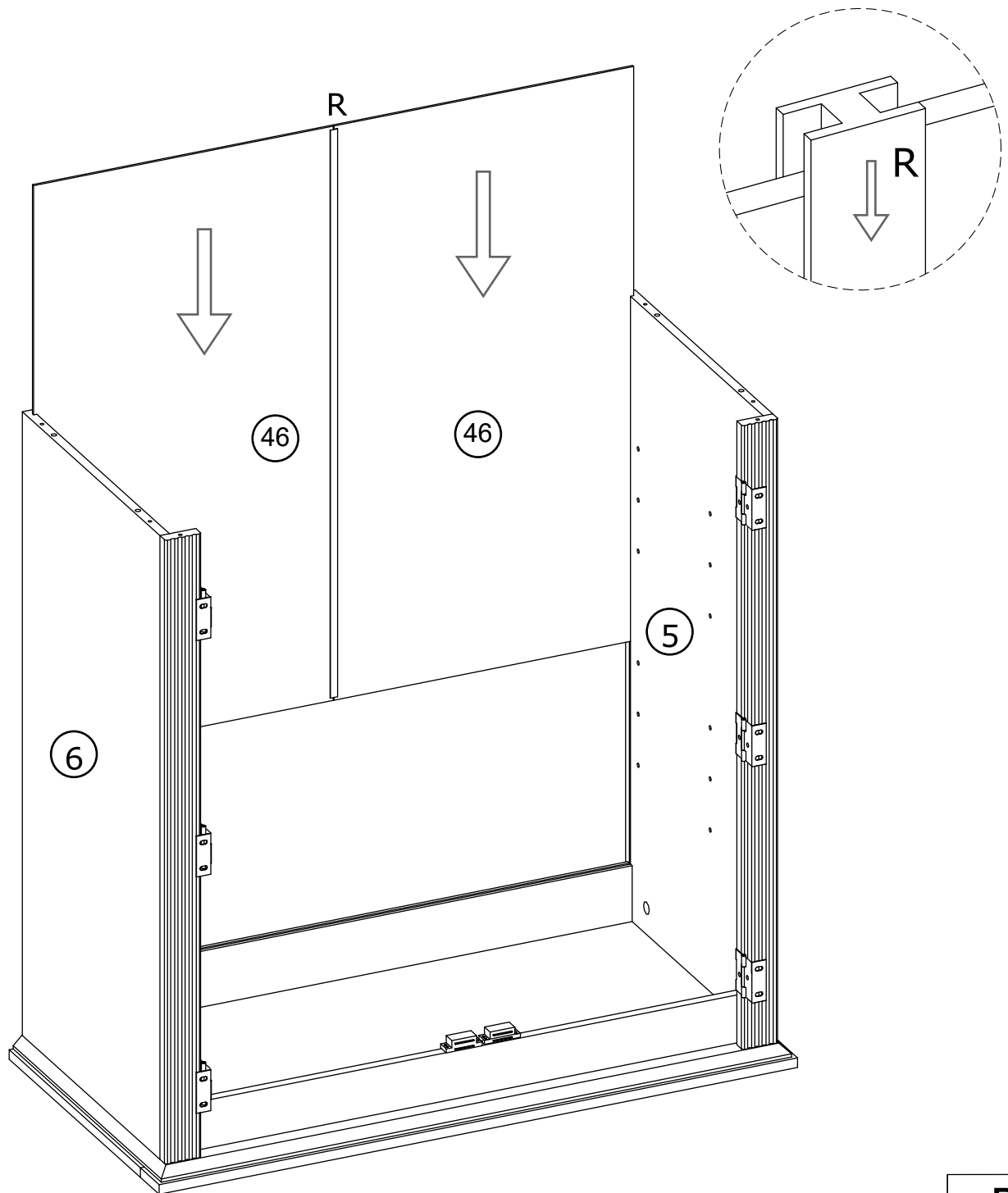
A

10pcs

36.



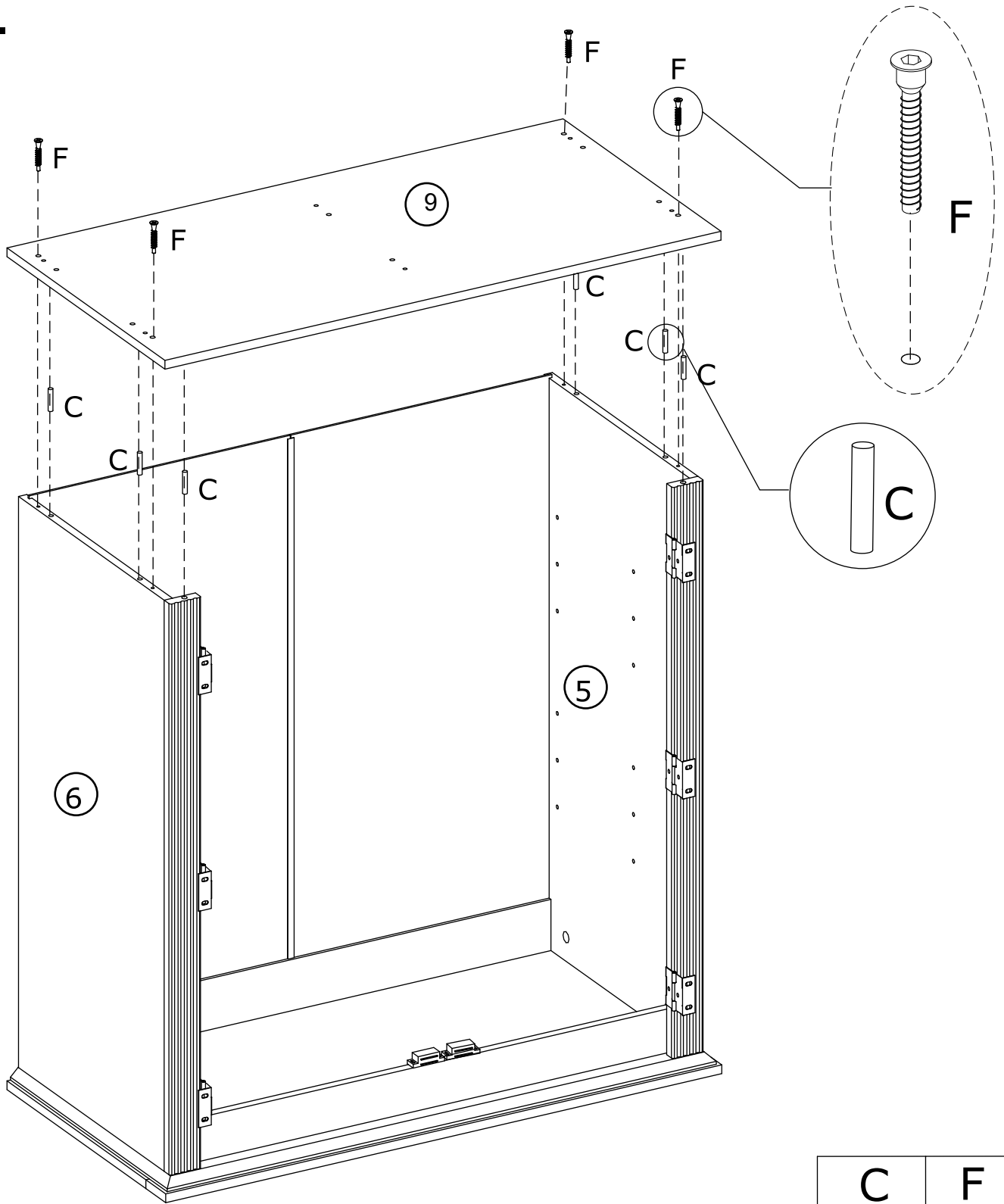
C  10 pcs	B  10 pcs
---	---

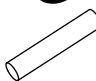

37.



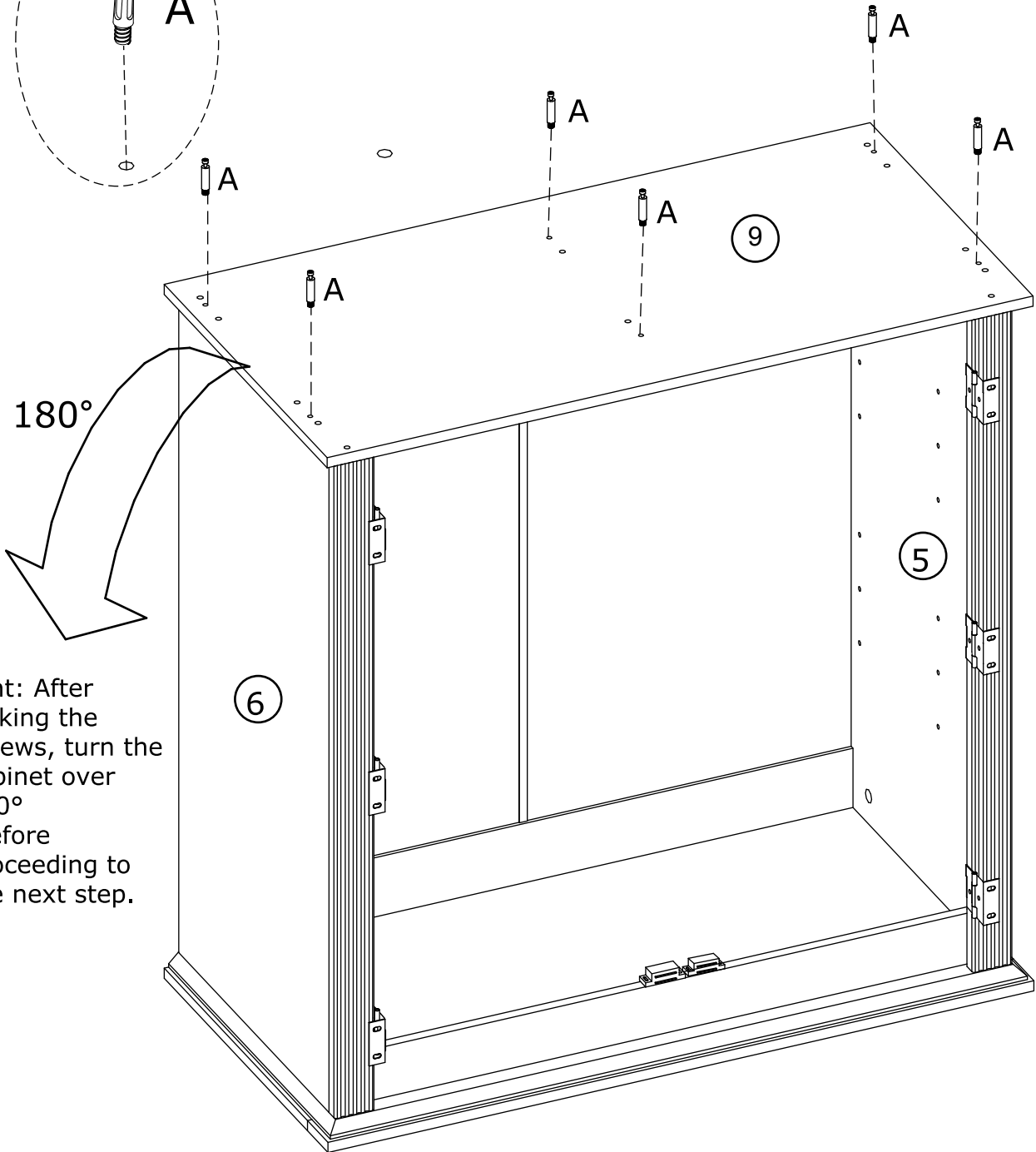
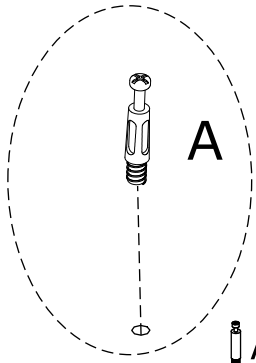
R
1 pcs

38.




C 	F 
6 pcs	4 pcs

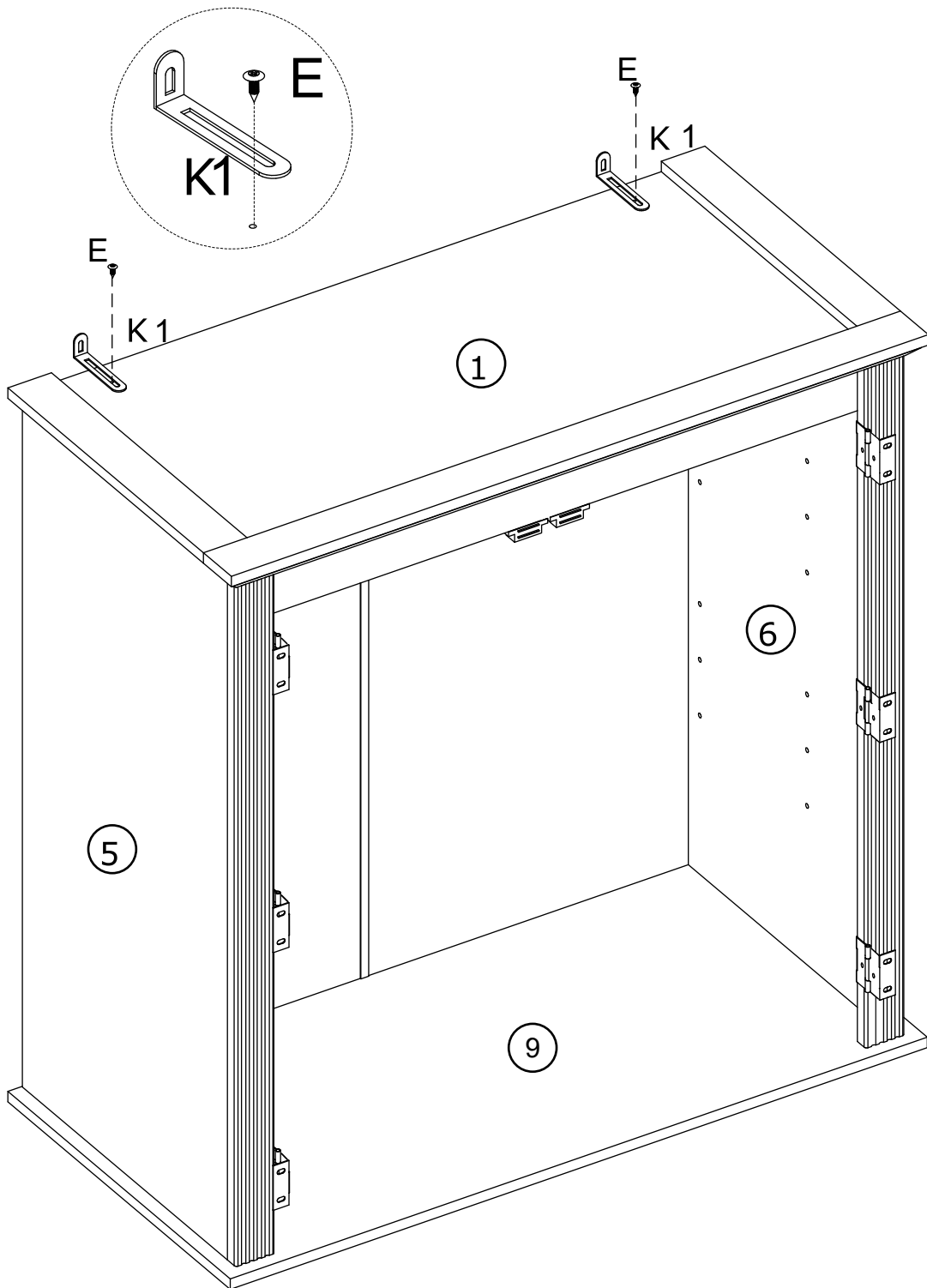
39.

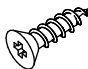



Hint: After locking the screws, turn the cabinet over 180° before proceeding to the next step.

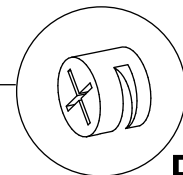
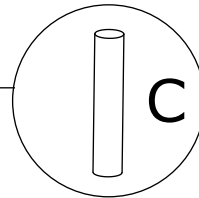
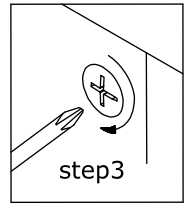
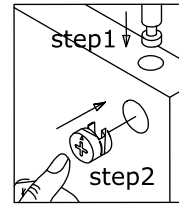
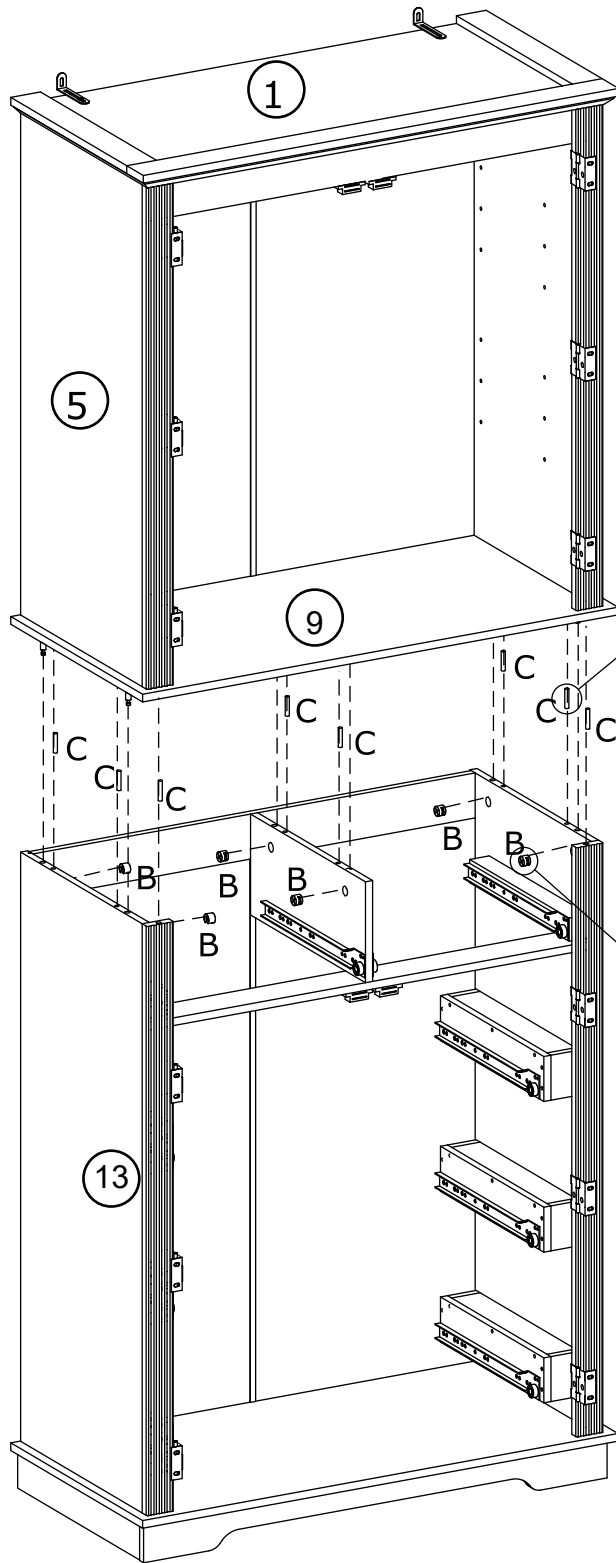
A

6pcs

40.



E  2 pcs	K1  2 pcs
--	---

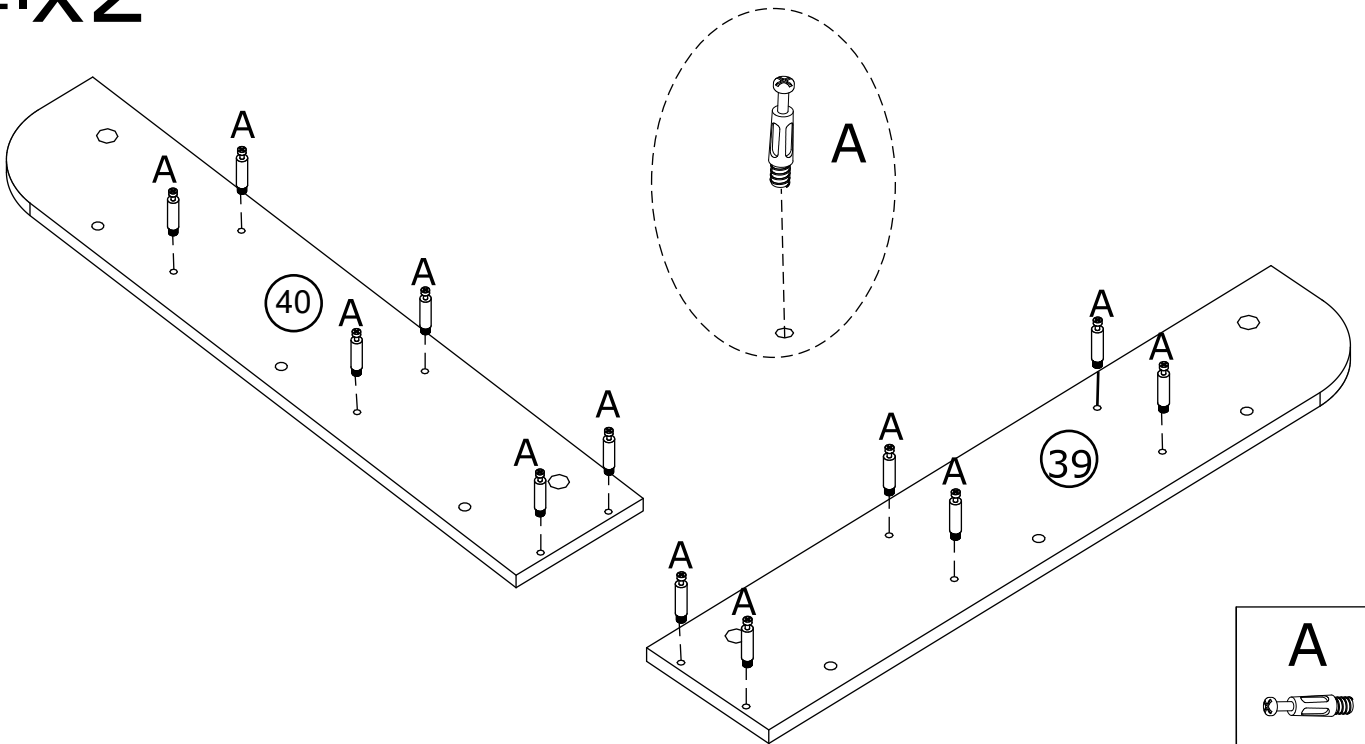
41.




C
8 pcs

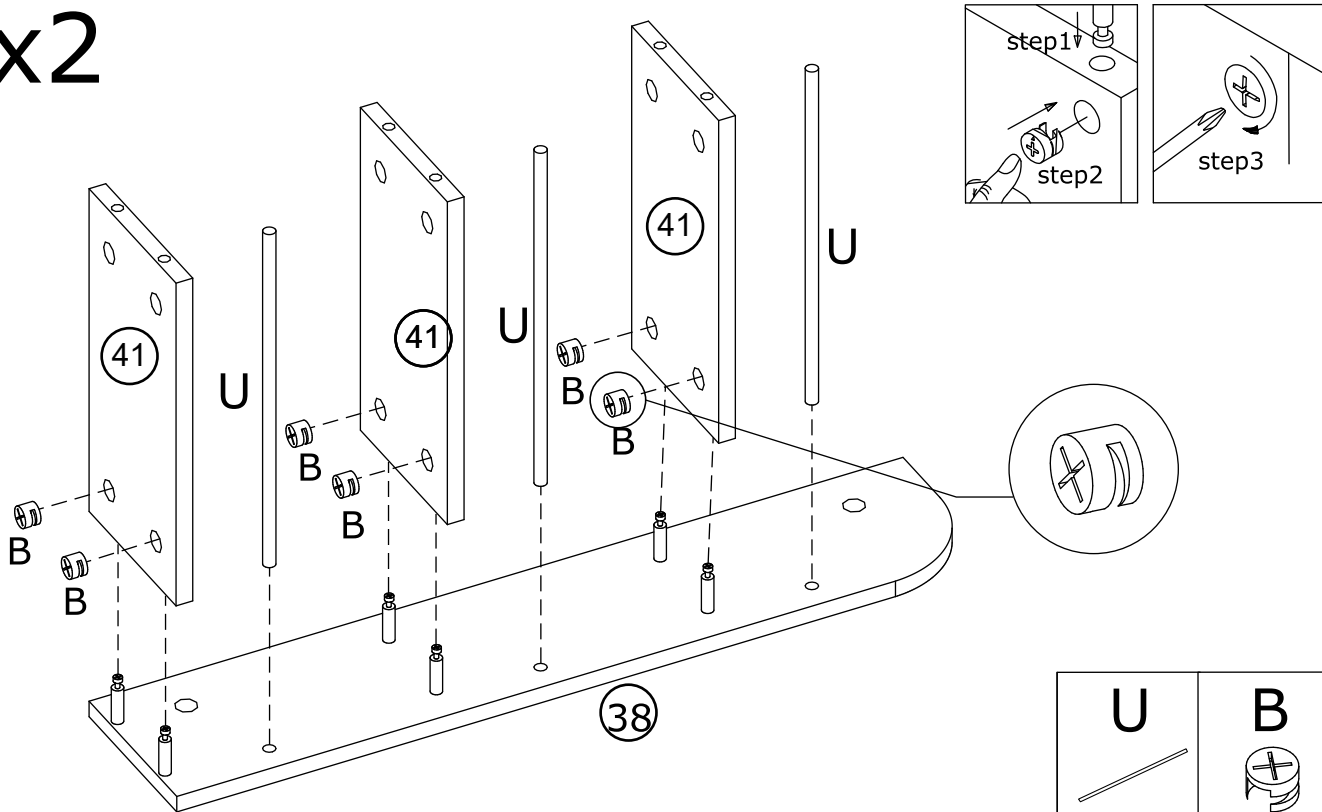
B
6 pcs



42.x2



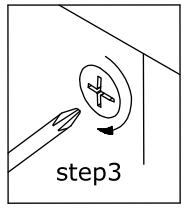
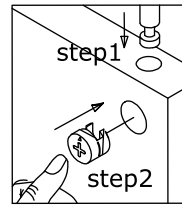
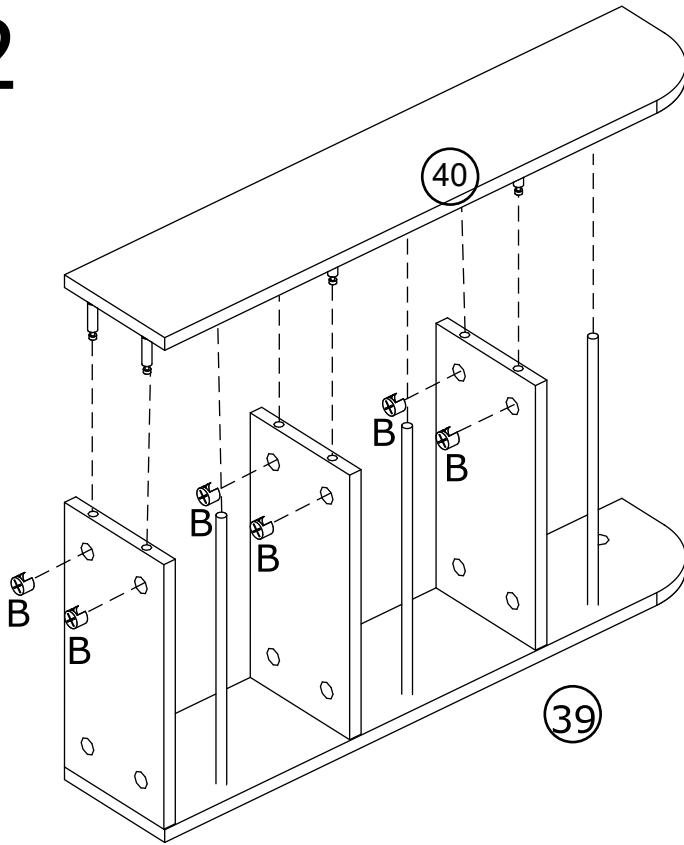
A

24pcs


43.x2



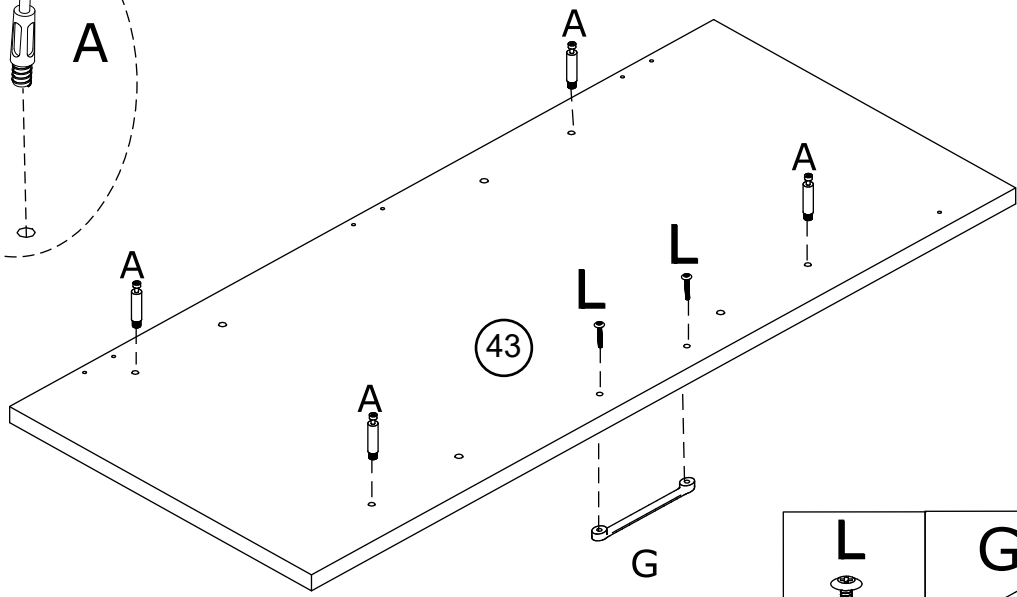
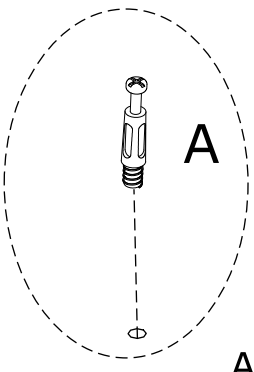
U  6pcs	B  12pcs
---	--


44.x2





B

12pcs

45.

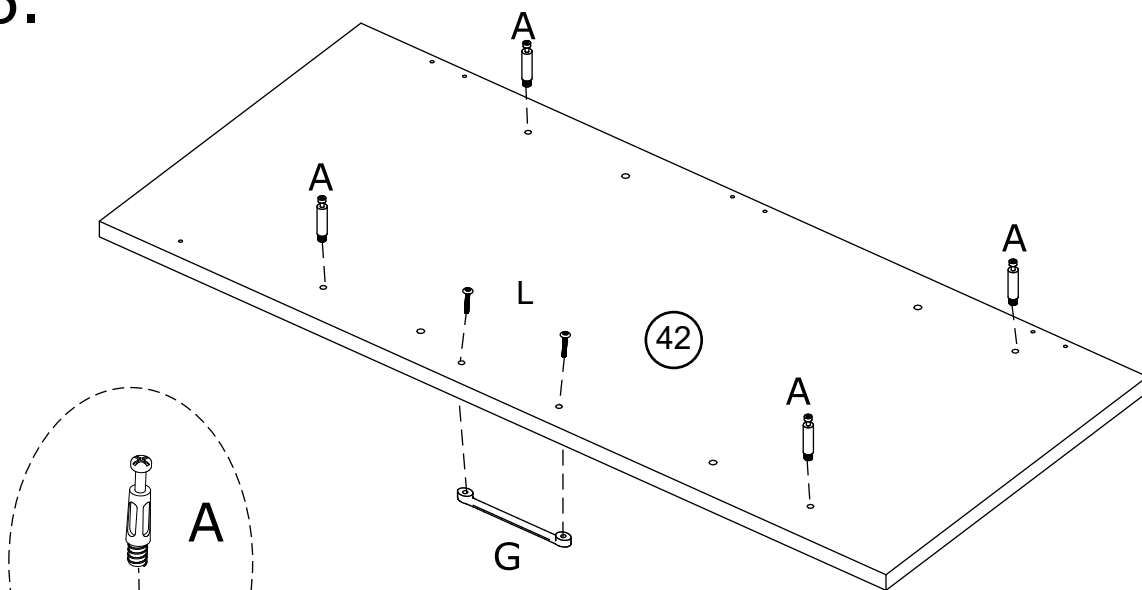




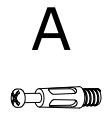
L

2pcs

G

1pcs

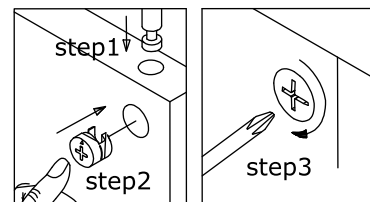
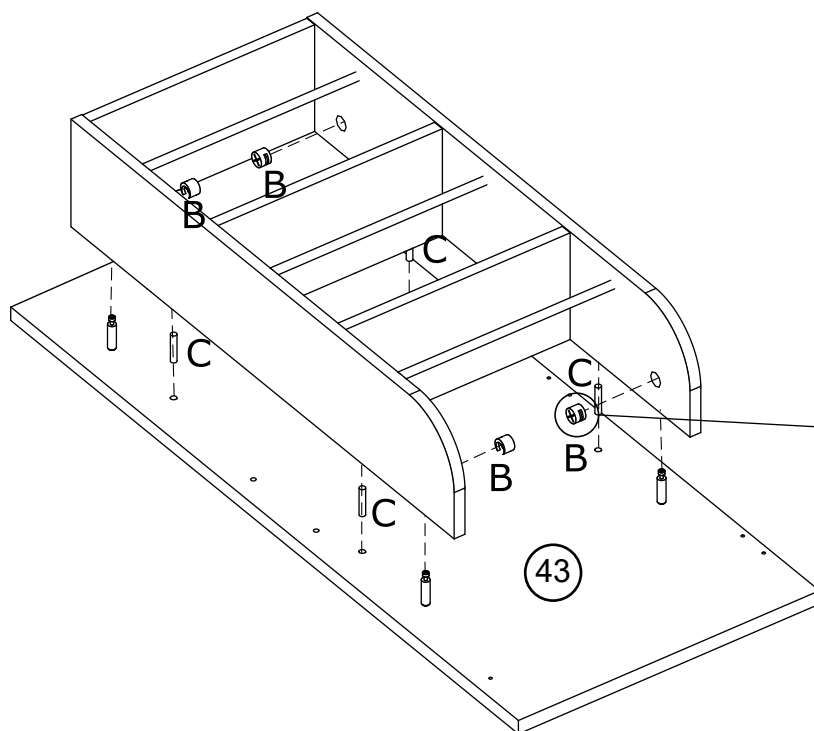
A

4pcs

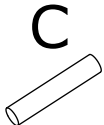

46.



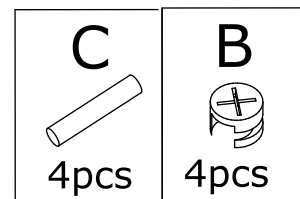
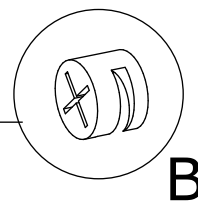
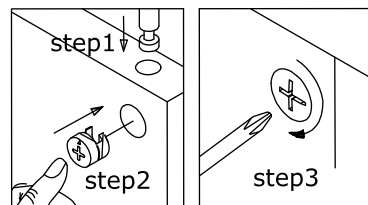
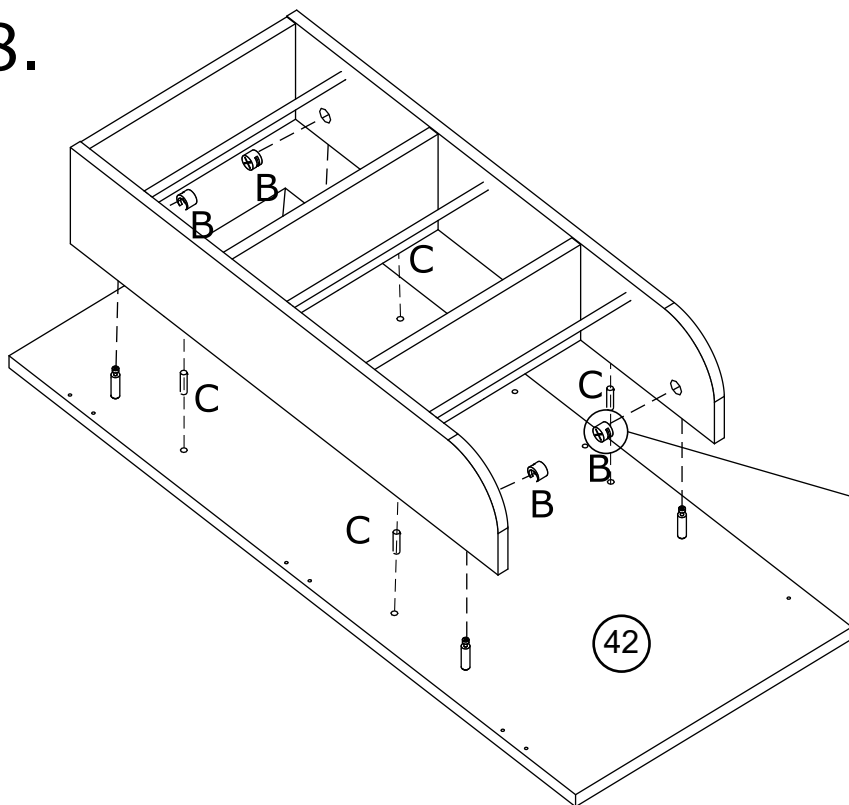
 L 2pcs	 G 1pcs	 A 4pcs
---	---	---

47.

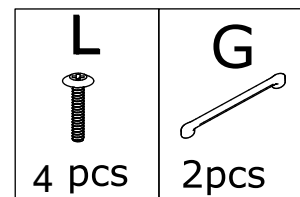
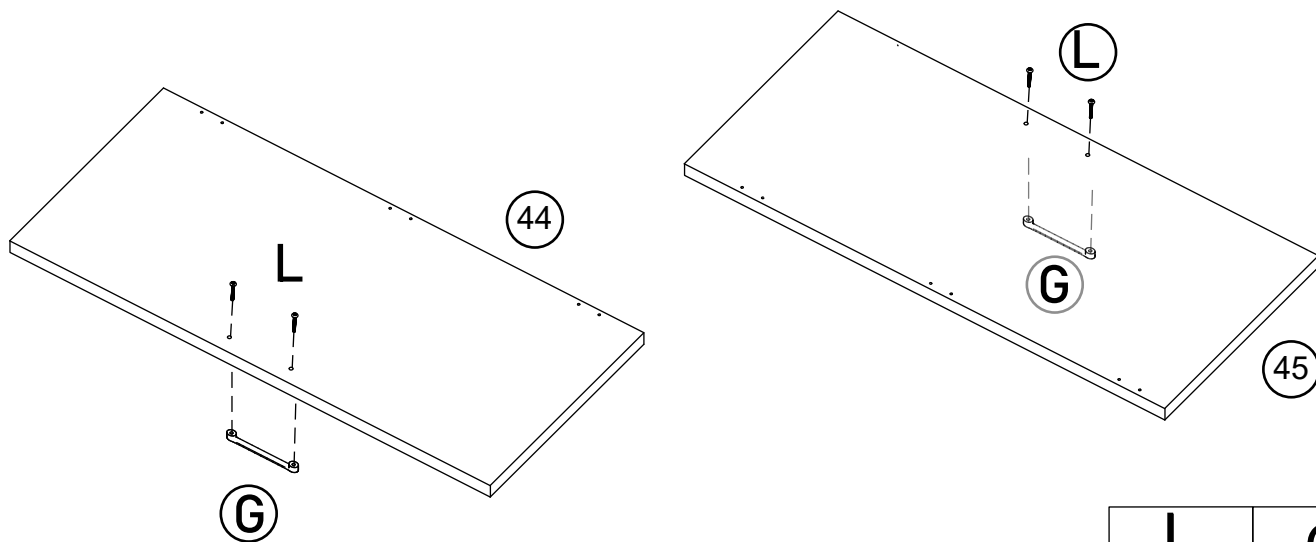


 C 4pcs	 B 4pcs
--	--

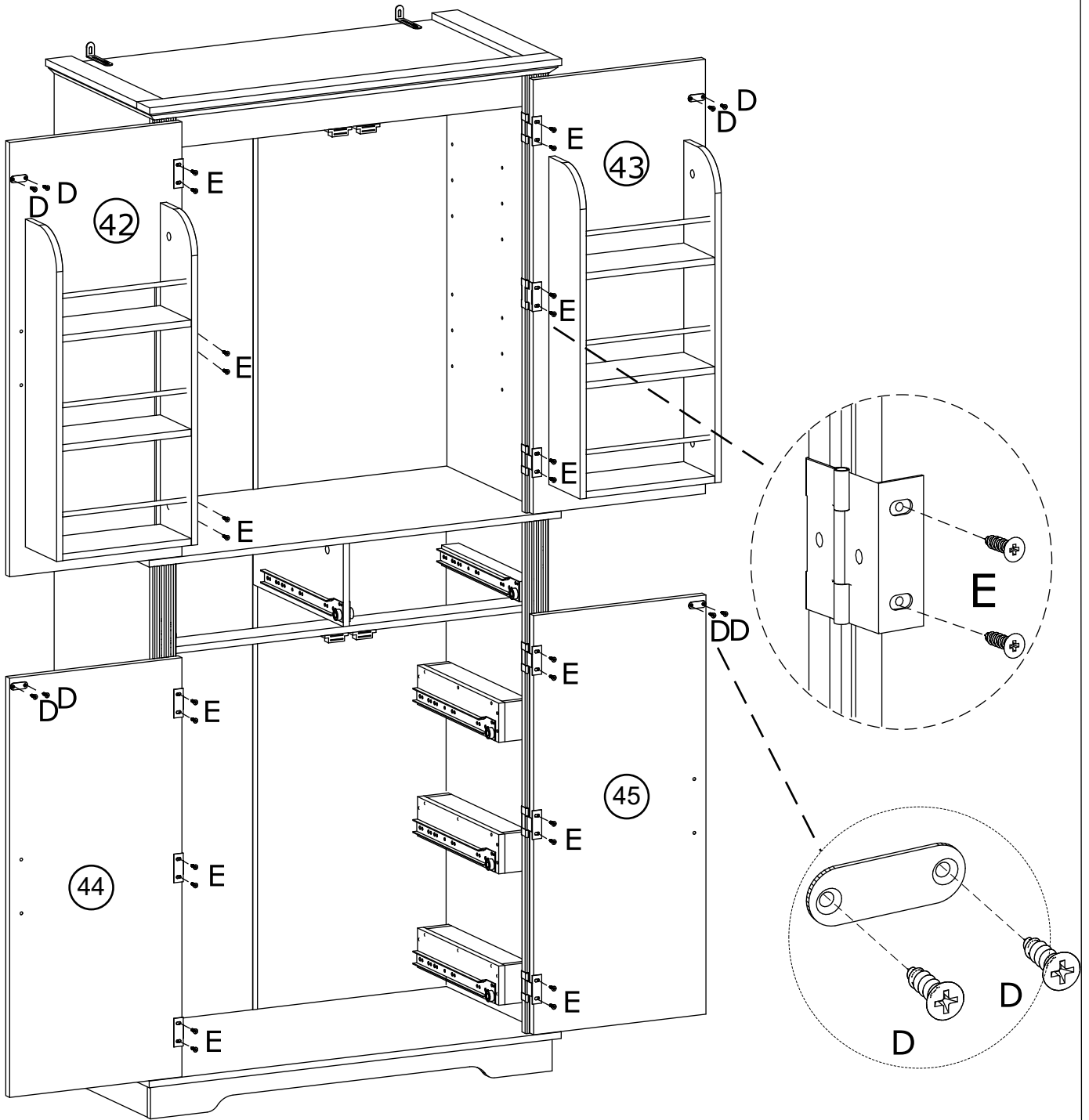
48.

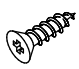
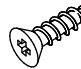
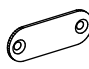


49.



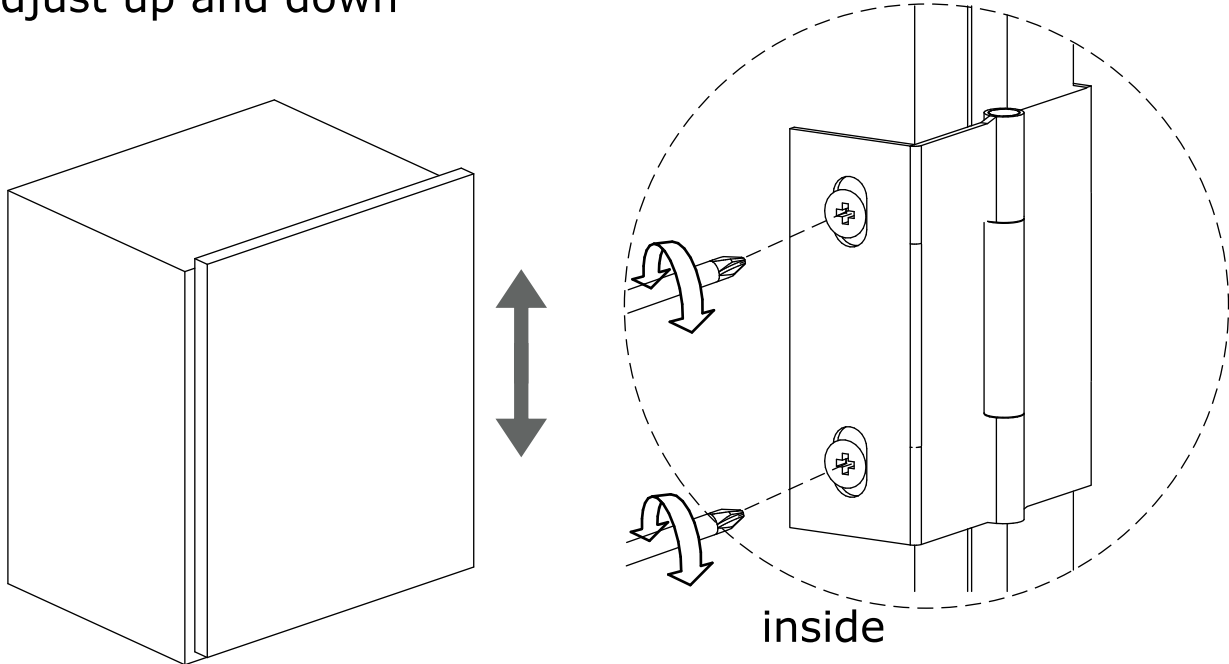
50.



D  8pcs	E  24pcs	J2  4pcs
---	--	--

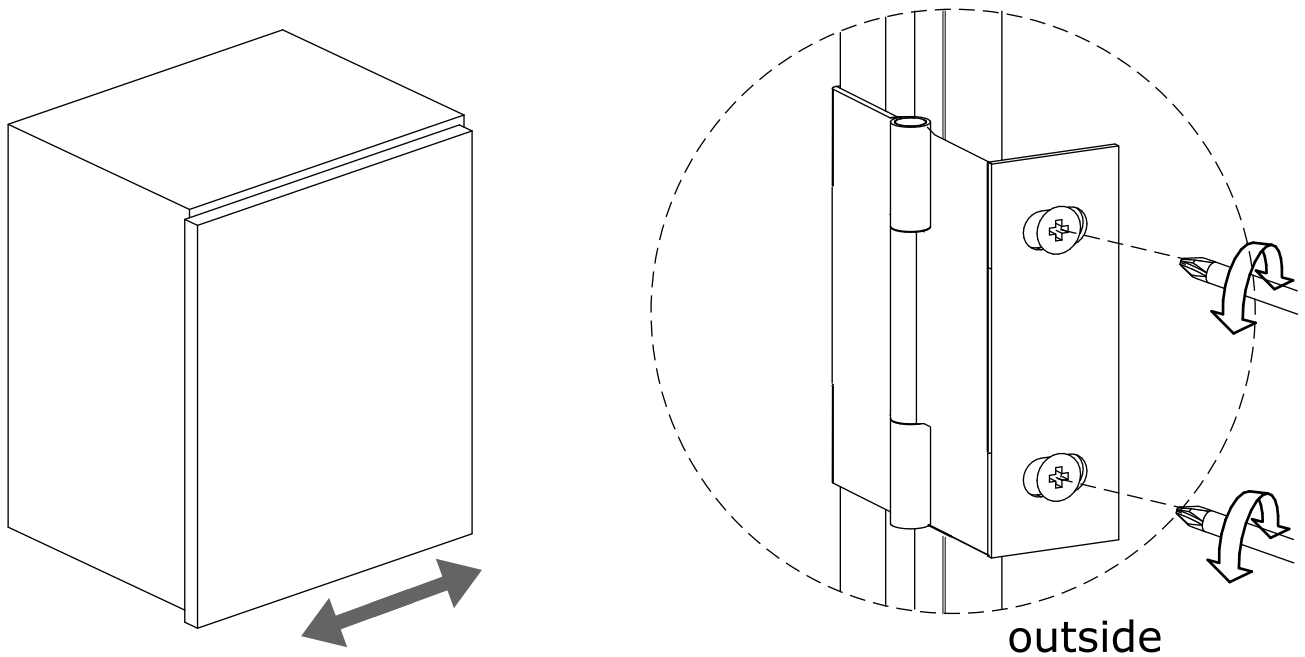
Tip: Hinges can be adjusted as needed, which can be adjusted as needed to ensure even clearance and smooth switching

1. Adjust up and down

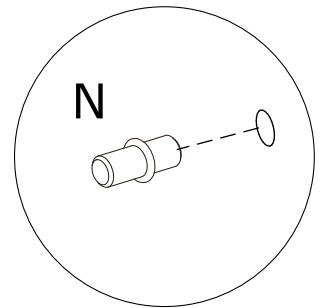
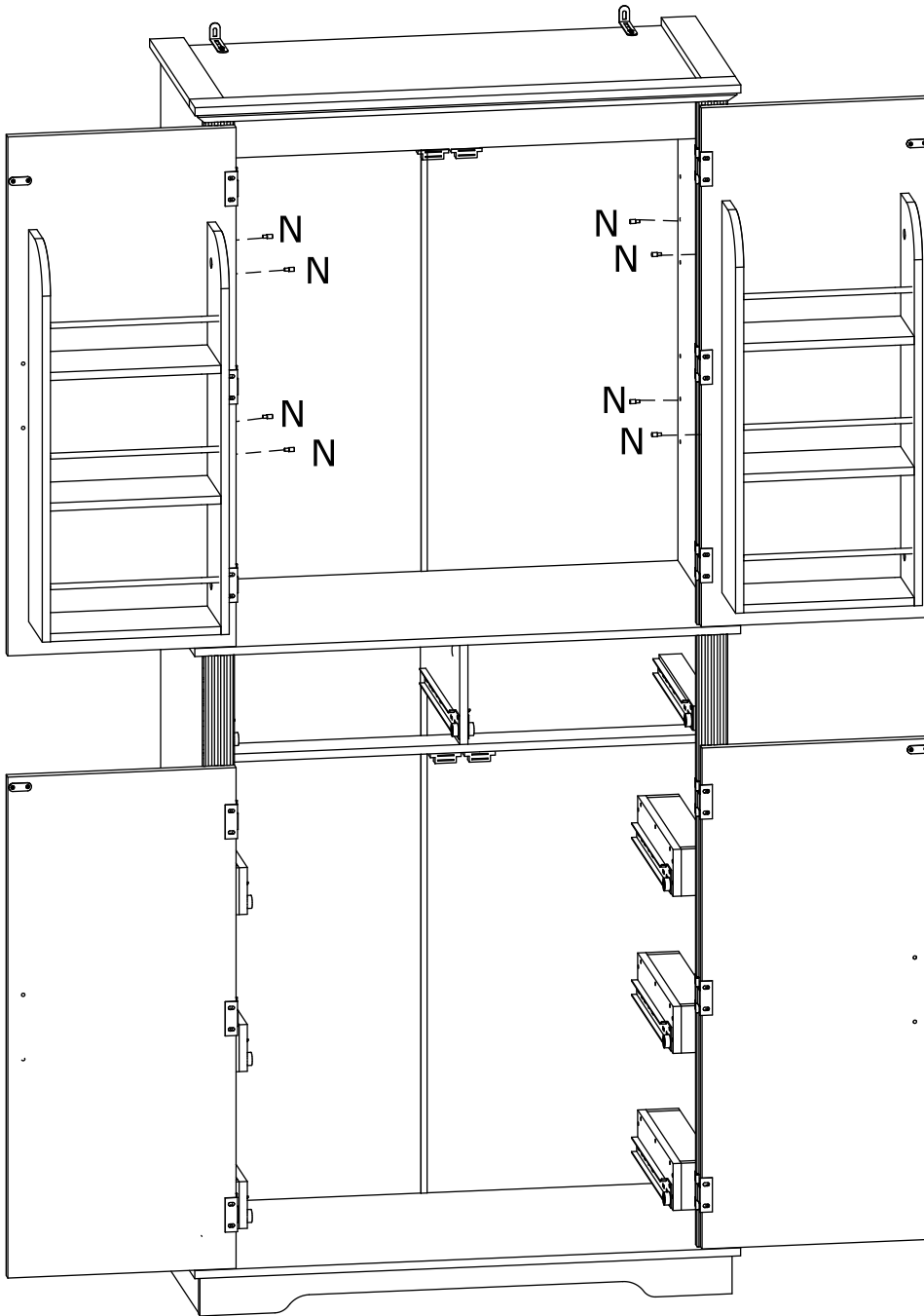


Loosen the nut, adjust the hinge to the appropriate height, and tighten the lock nut


2. Left and right adjustment



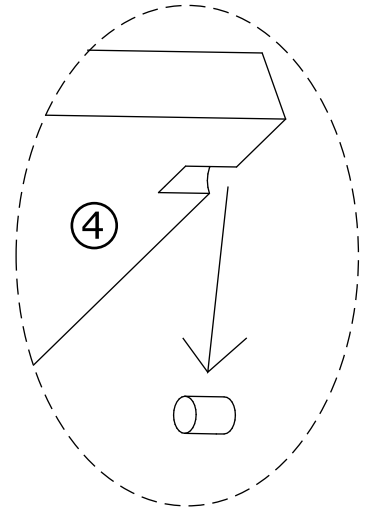
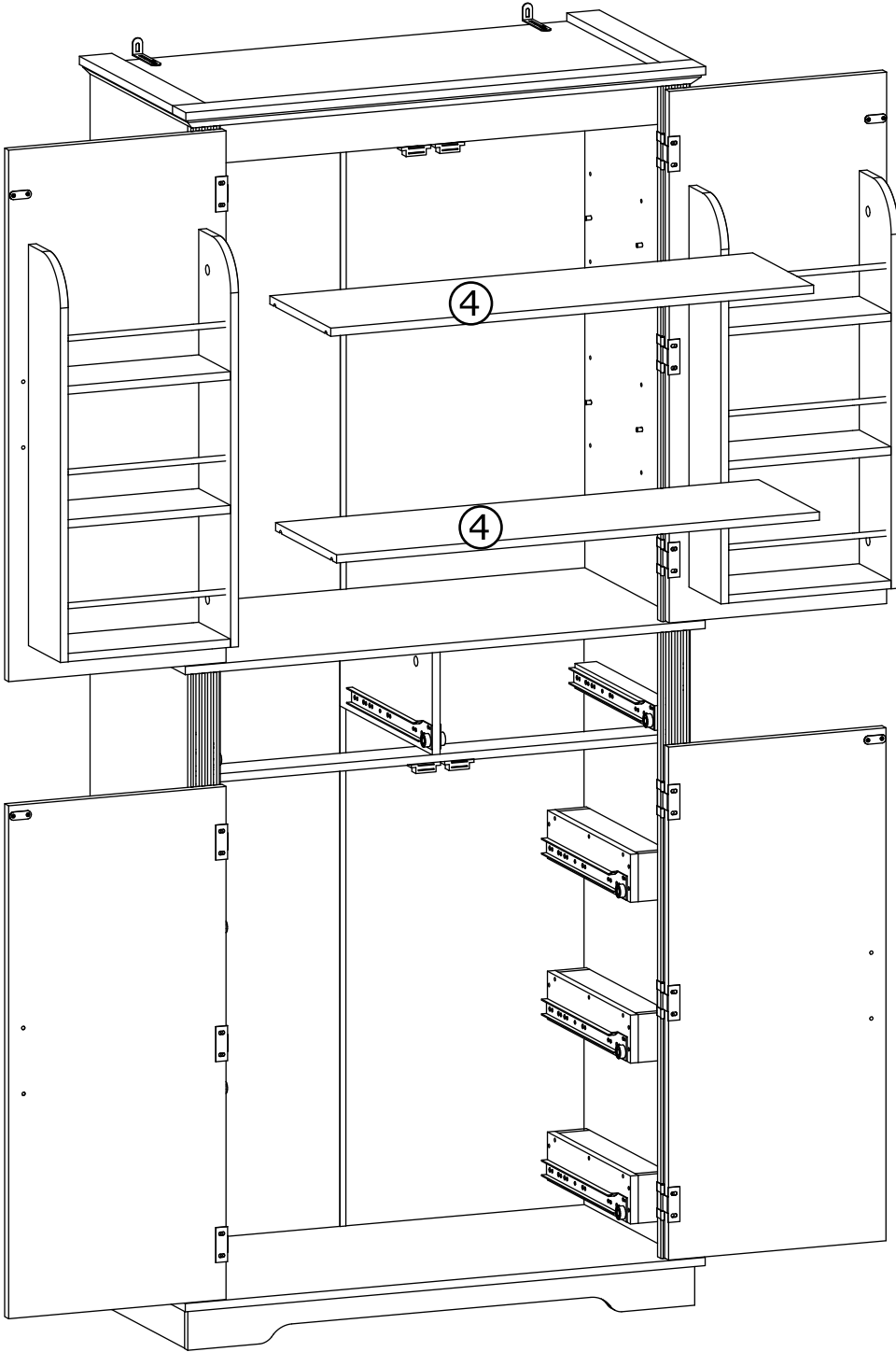
51.



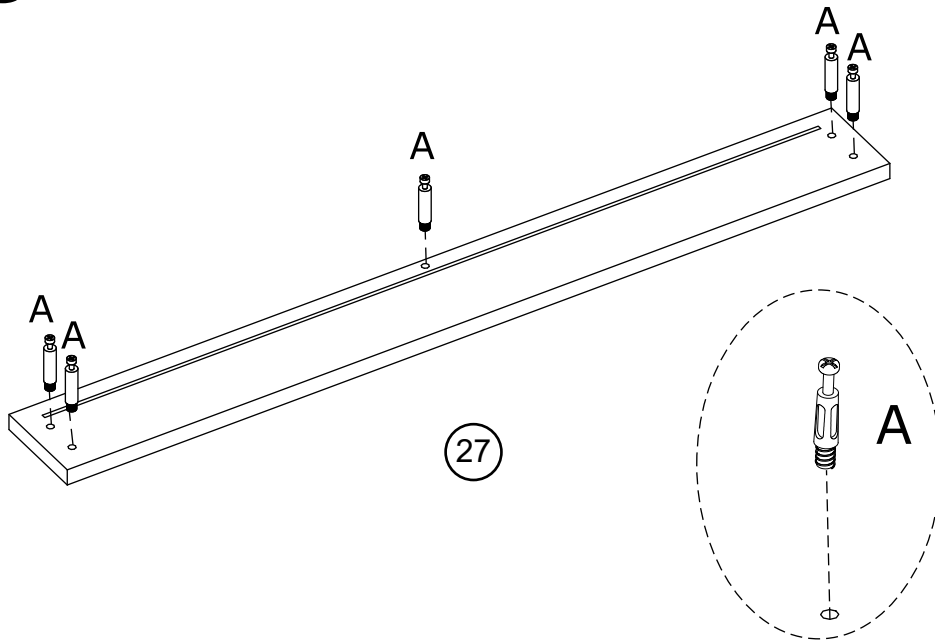
Tip: The nut position can be adjusted by itself according to the height

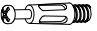
N

8pcs

52.

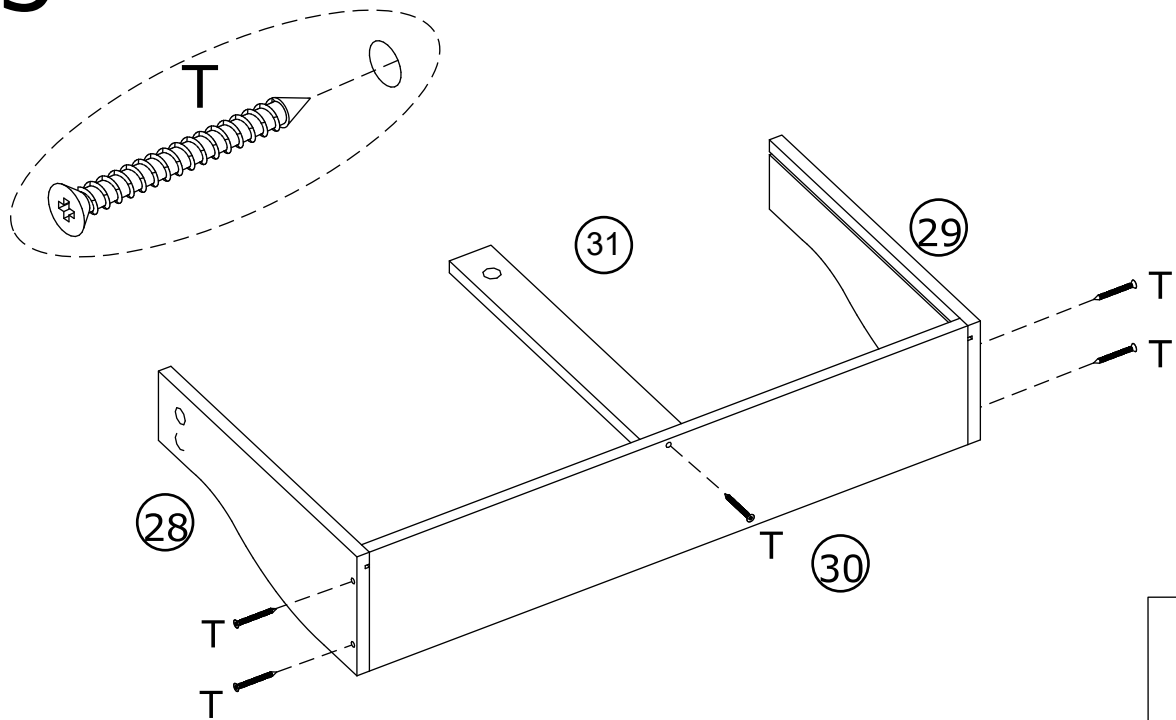



53.x3



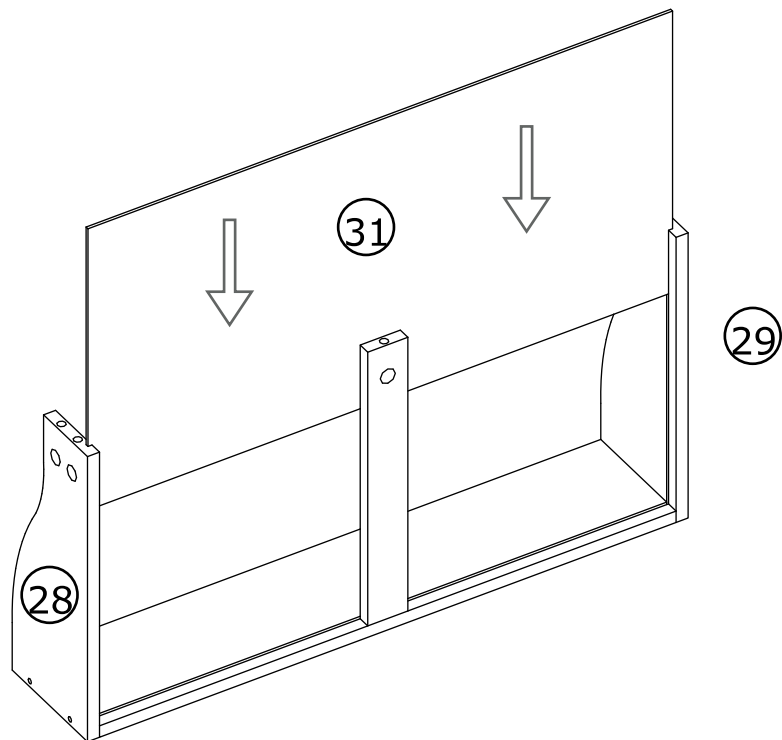
A

15pcs

54.x3

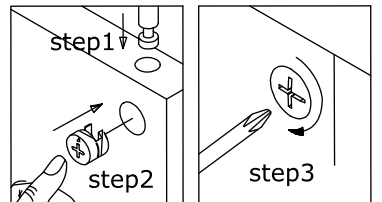
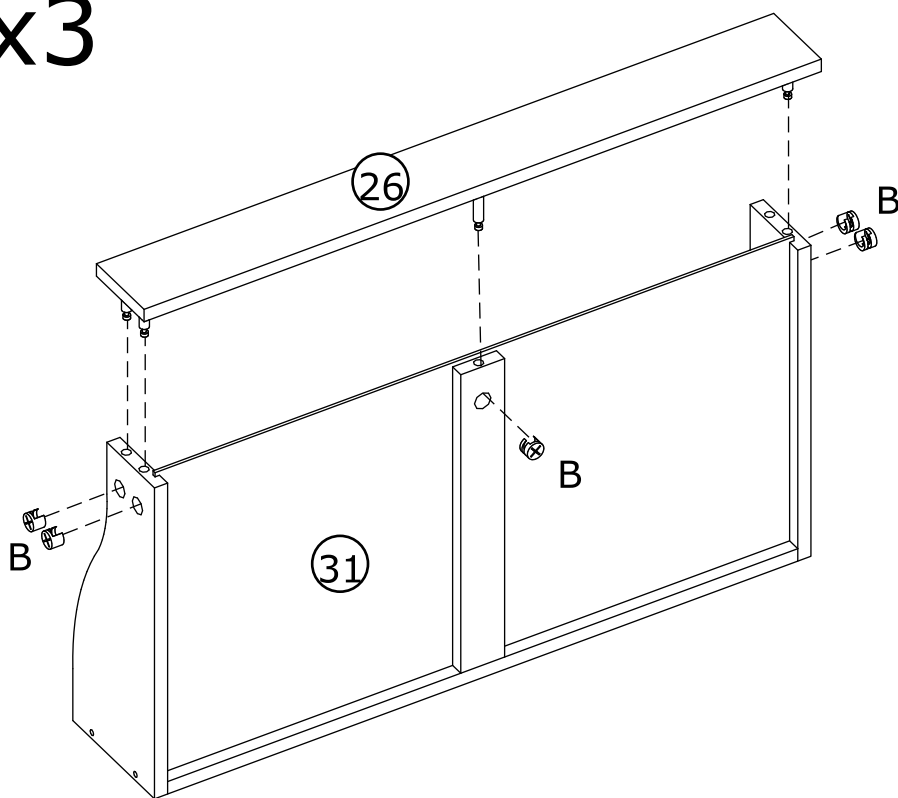



T

15pcs

55.x3

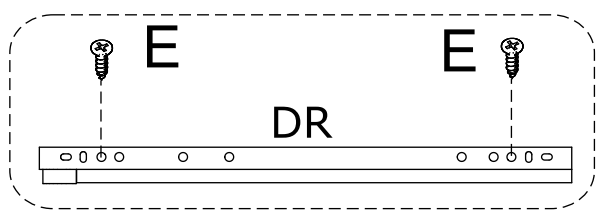
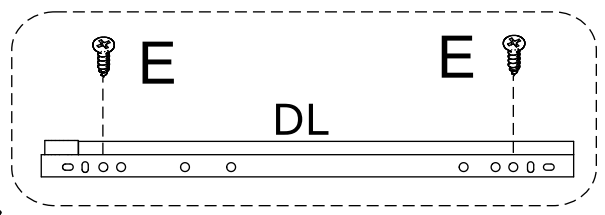
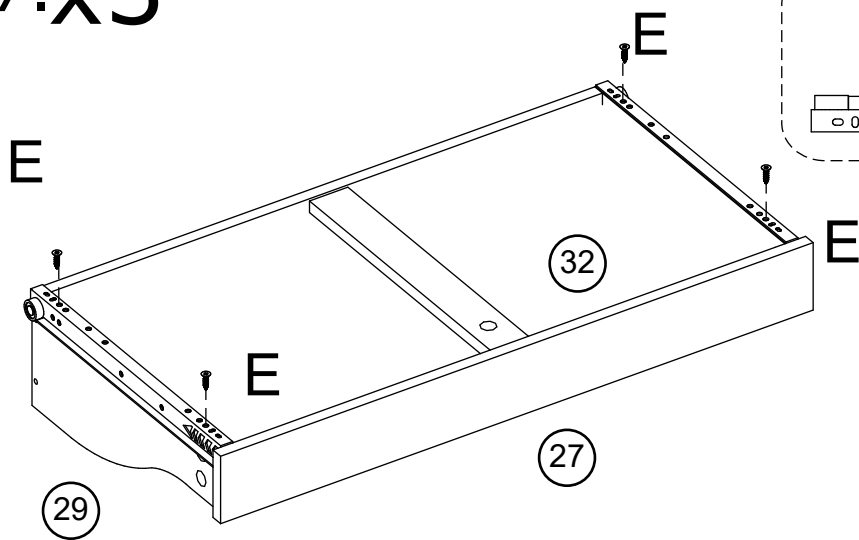





56.x3



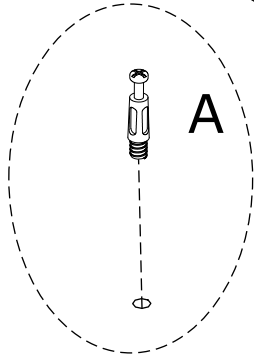
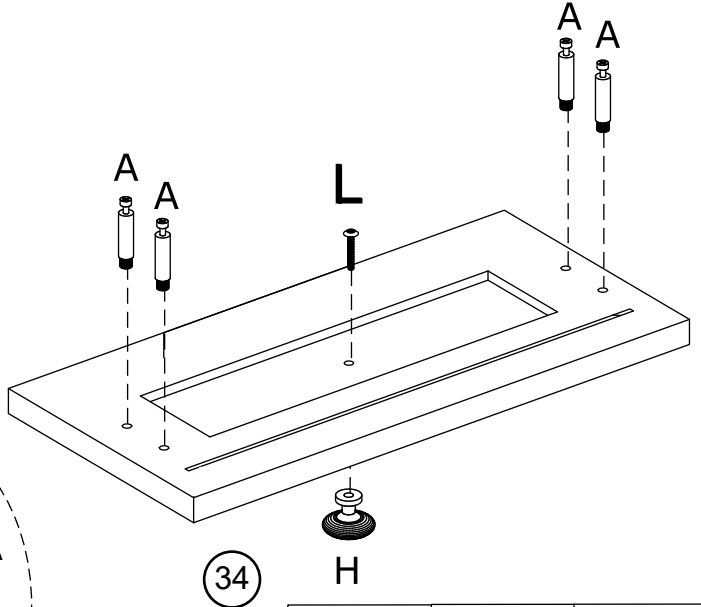
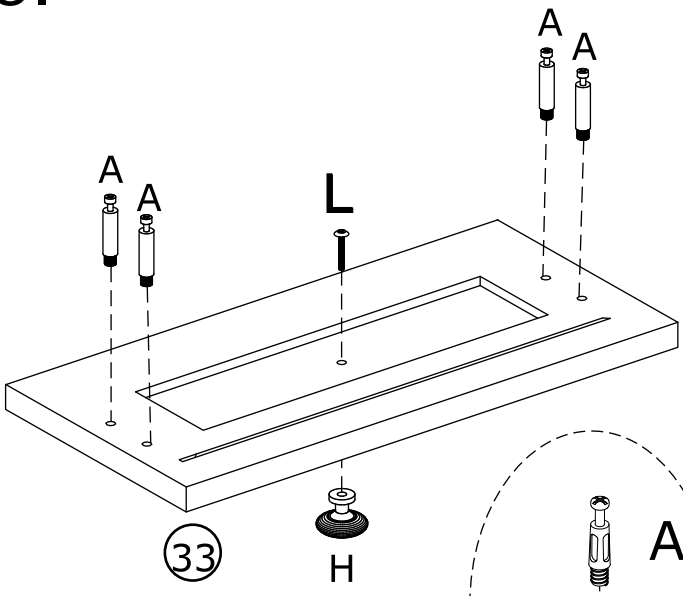
B

15pcs




57.x3



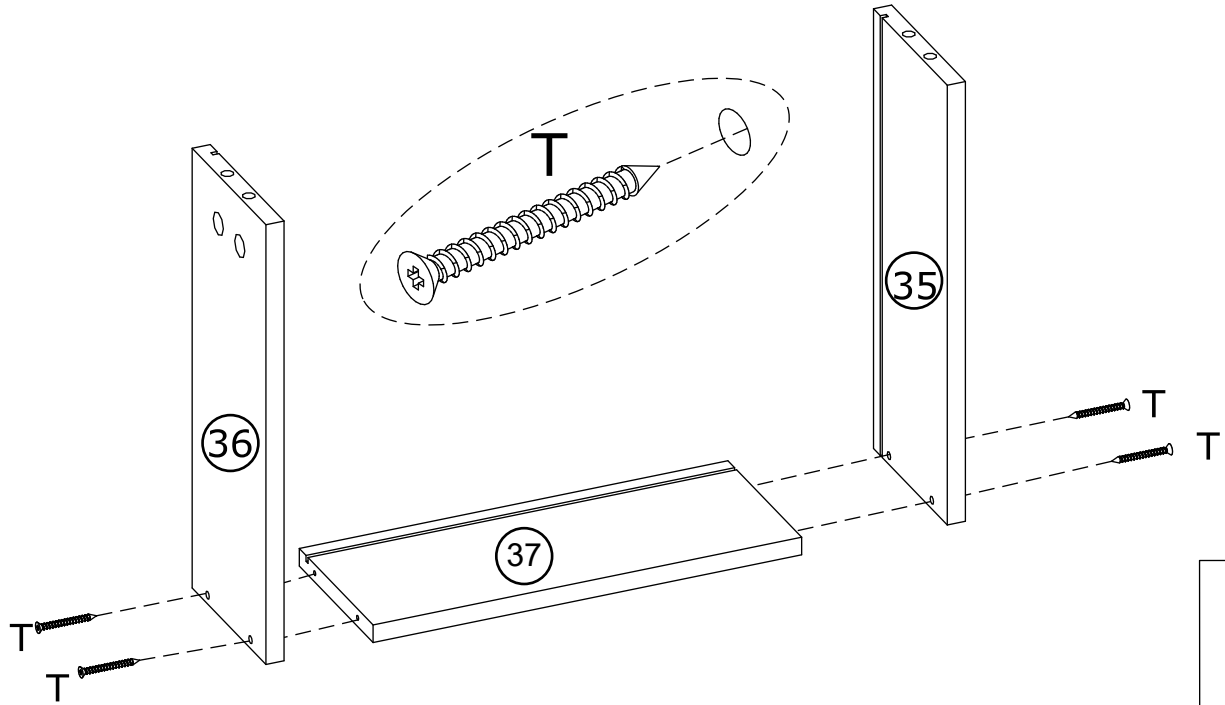
E  12pcs	DL  3pcs	DR  3pcs
--	--	--

58.



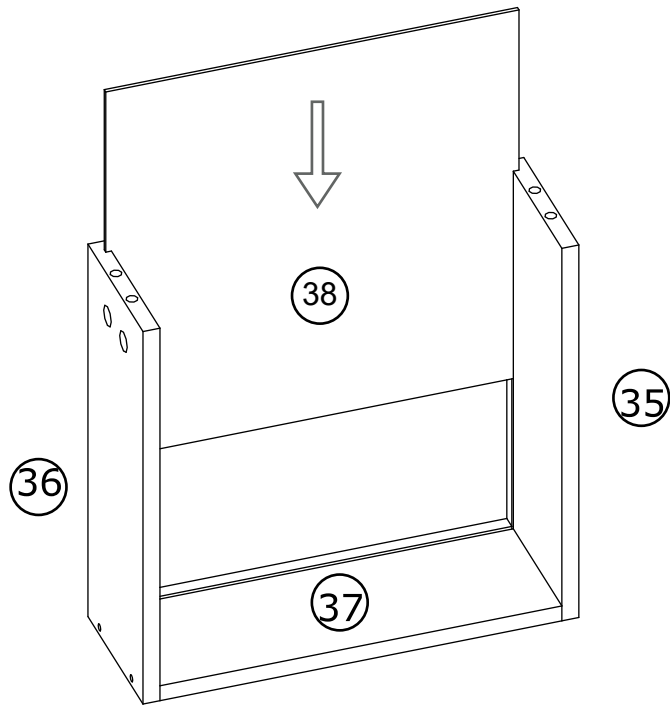
L  2pcs	H  2pcs	A  8pcs
---	---	---

59.x2

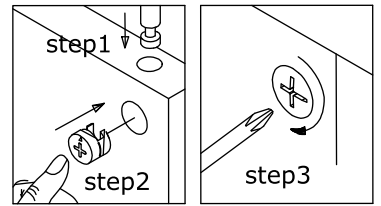
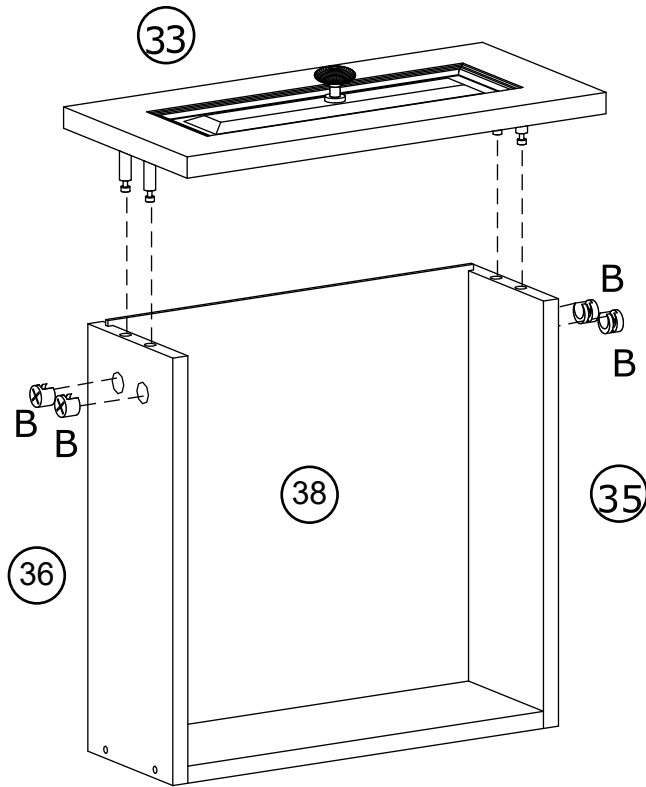



T
8pcs

60.x2

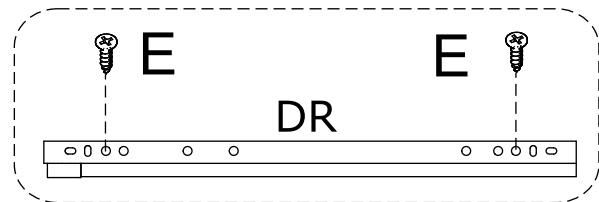
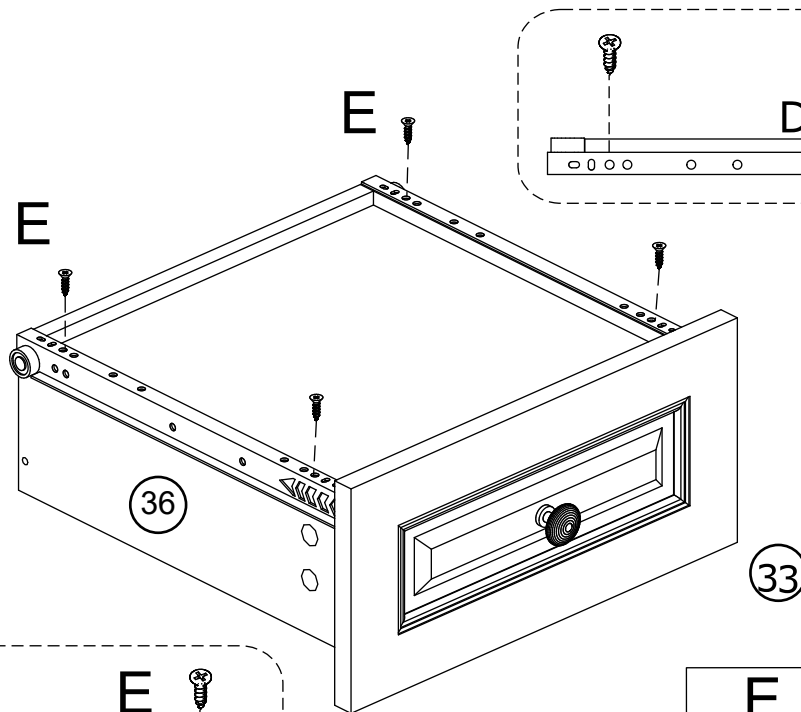





61.



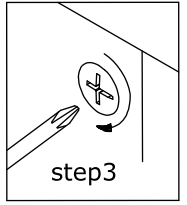
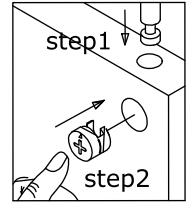
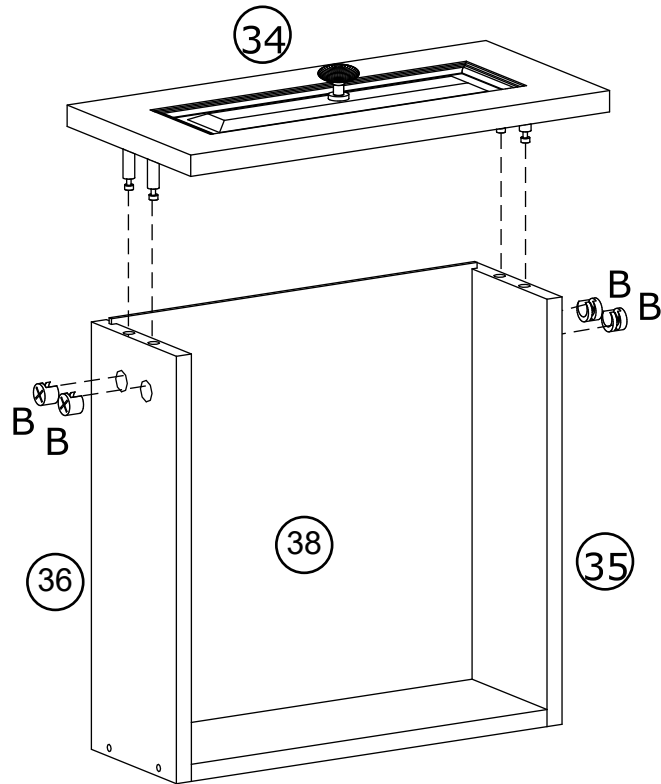
B

4pcs


62.



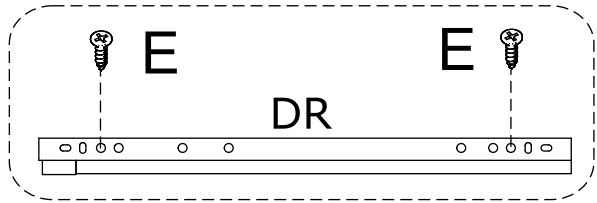
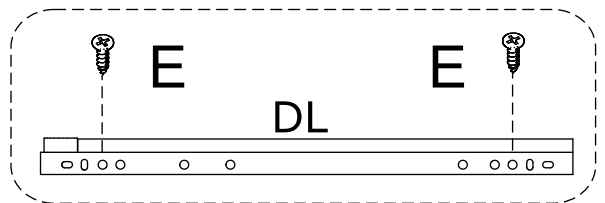
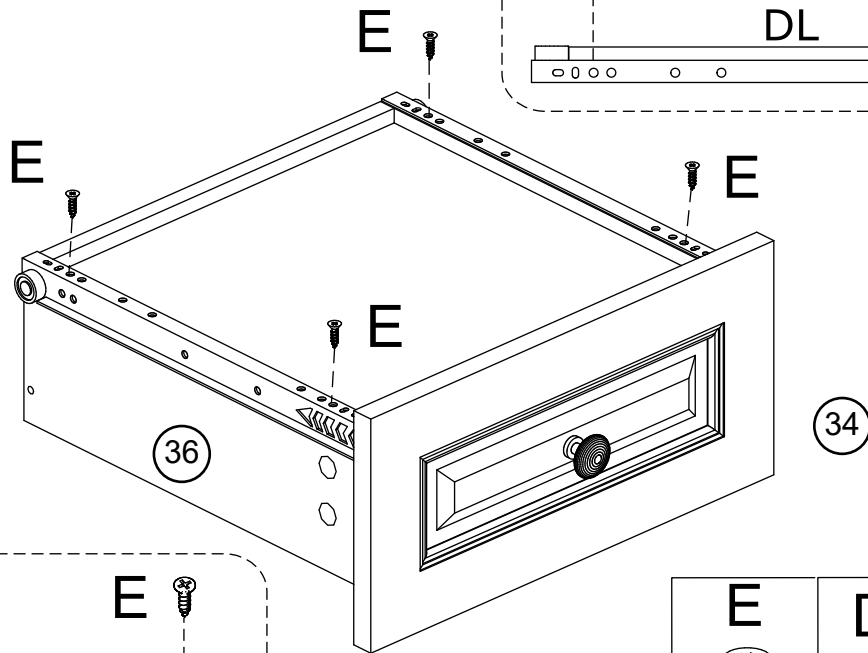
E  4pcs	DL  1pcs	DR  1pcs
---	--	--




63.



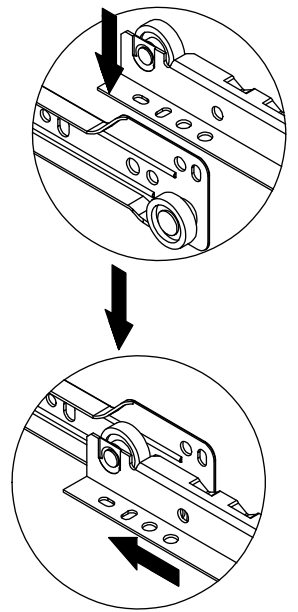
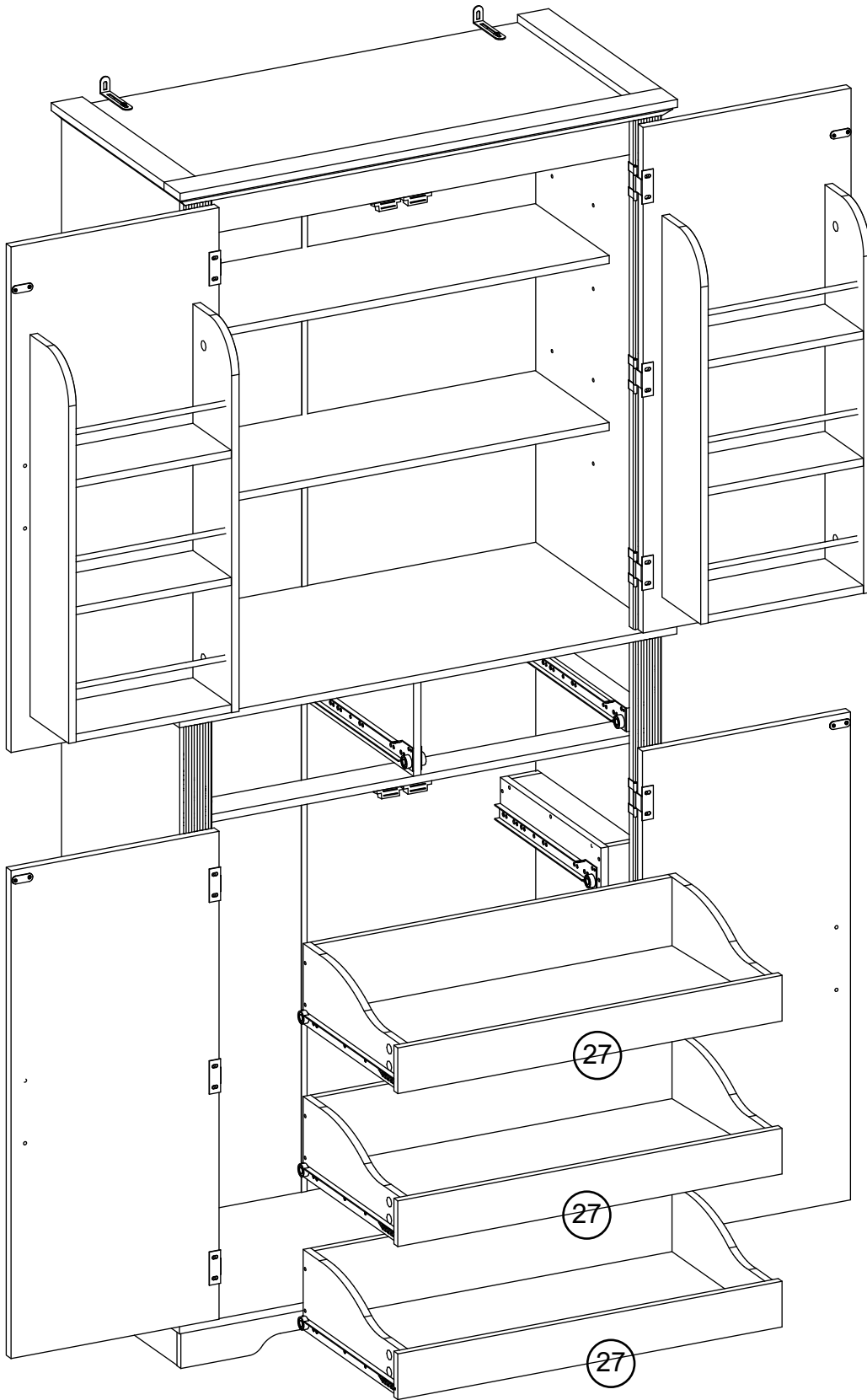
B

4pcs

64.

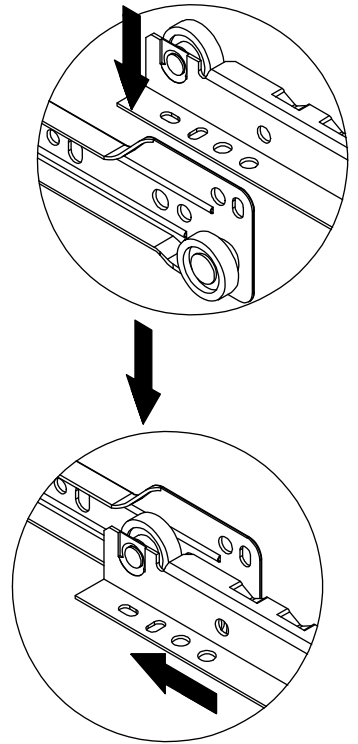
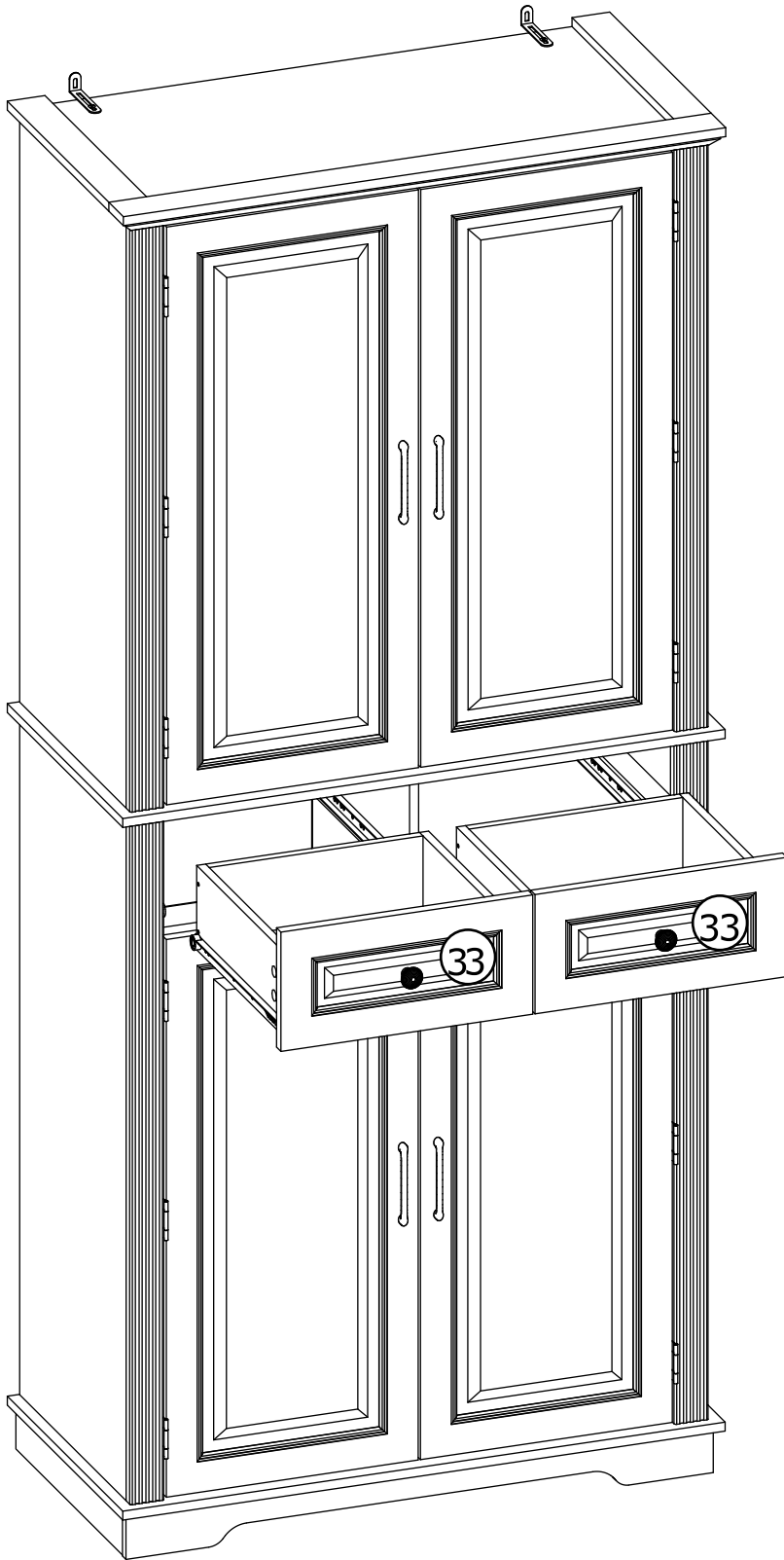


E  4pcs	DL  1pcs	DR  1pcs
---	--	--

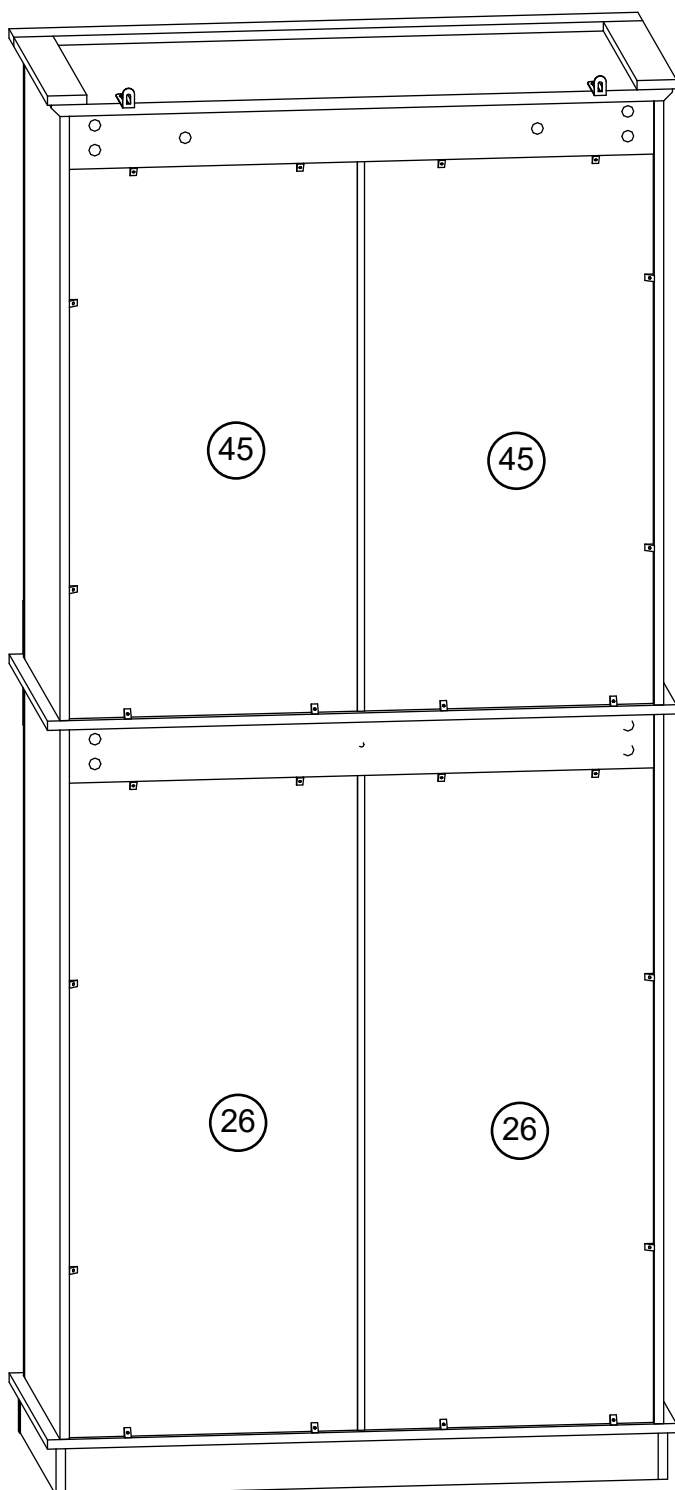
65.



66.

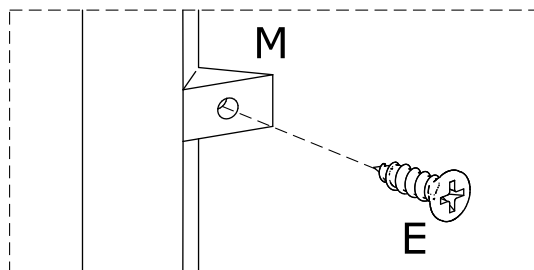




67.



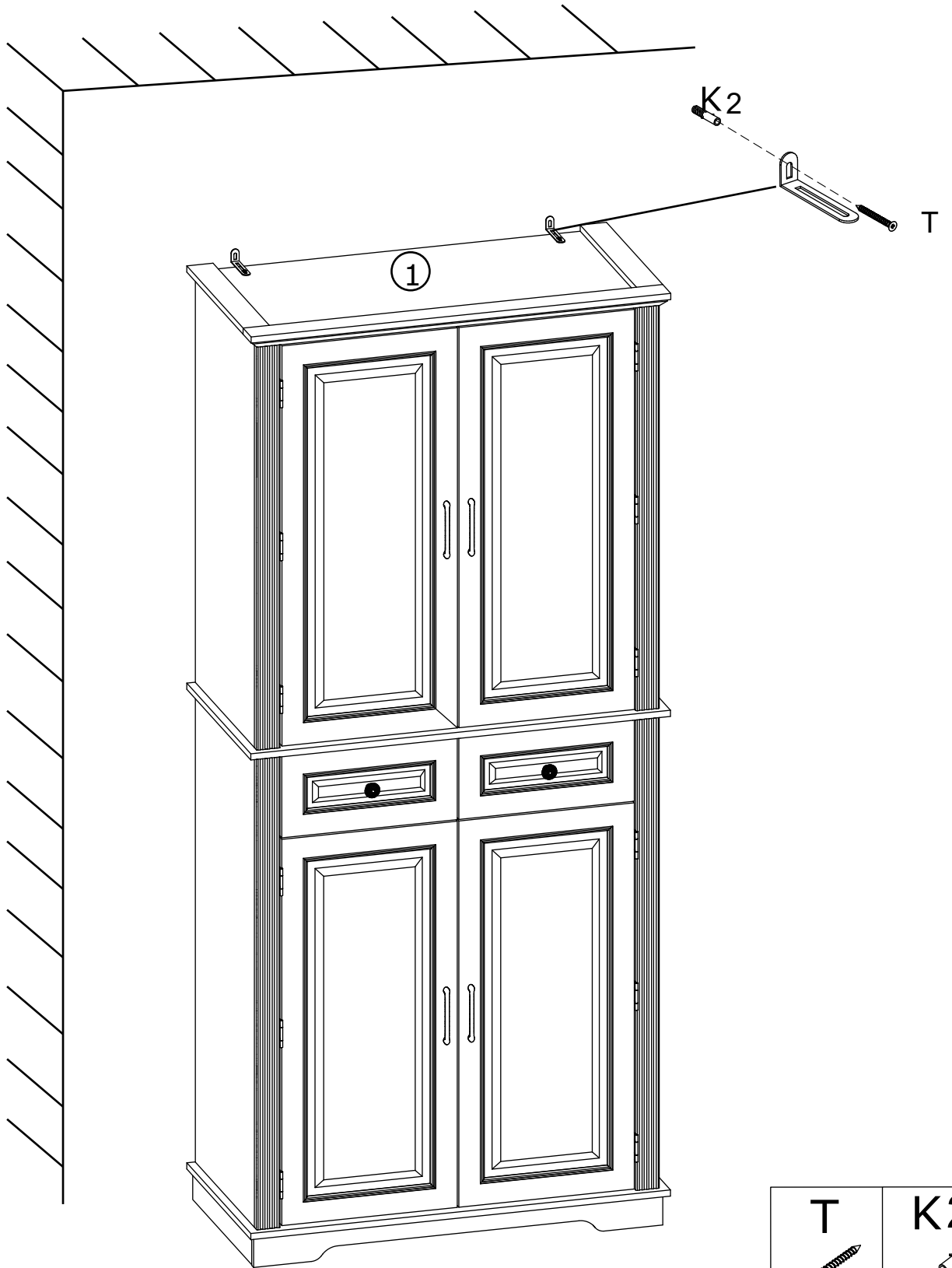
The Backboard Buckle M serves to assist in stabilizing the backboard structure. You can choose to install or not to install at will. This product can be used normally.



When you choose to install it, you can directly screw in the screw E at the gap of the backboard



M  24pcs	E  24pcs
--	--

68.



T	K2
	
2 pcs	2 pcs