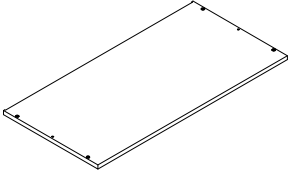
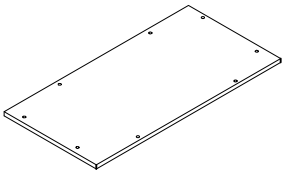
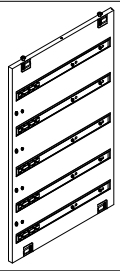
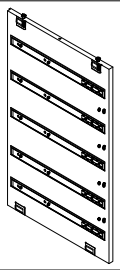
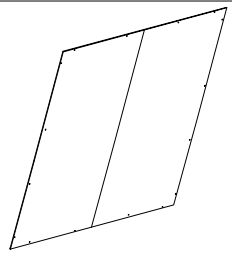
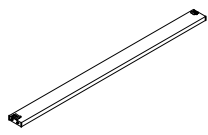
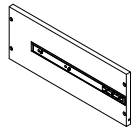
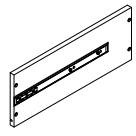
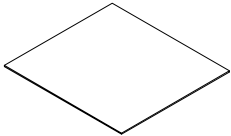
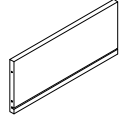
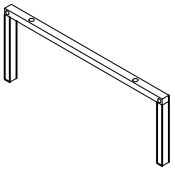
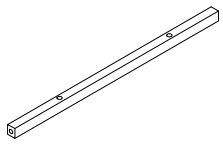


ASSEMBLY INSTRUCTIONS

Part List:

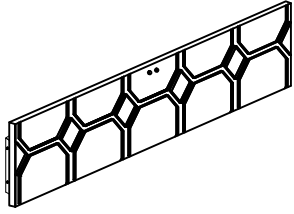
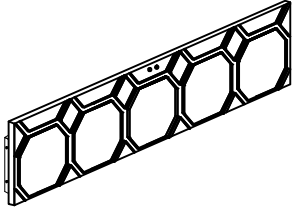
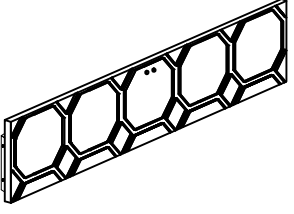
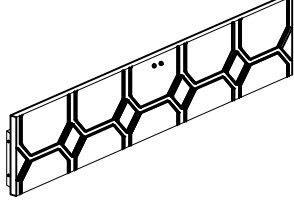
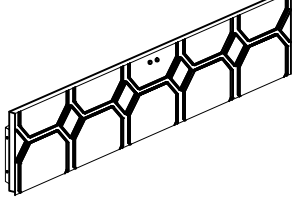
ITEM	DESCRIPTION	PART	QTY
1	Top panel		1
2	Bottom panel		1
3	Left side panel		1
4	Right side panel		1
5	Back panel		1
6	Front crosspiece		4

Part List:

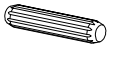









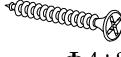

ITEM	DESCRIPTION	PART	QTY
7	drawer left side		5
8	drawer right side		3
9	drawer bottom		3
10	drawer back		3
11	Side leg		2
12	Crossbar		2

ASSEMBLY INSTRUCTION

Part List:

ITEM	DESCRIPTION	PART	QTY
13	First drawer front		1
14	Second drawer front		1
15	Third drawer front		1
16	Fourth drawer front		1
17	Fifth drawer front		1

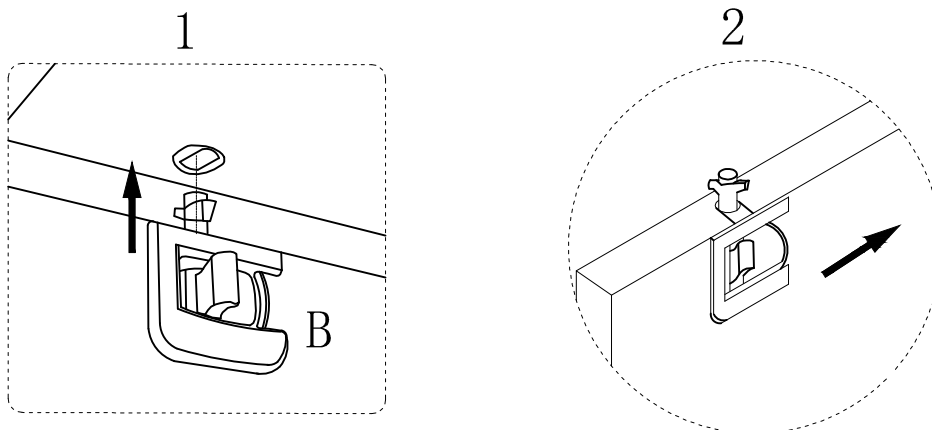
Hardware List:

ITEM	DESCRIPTION	PART	QTY
A	Wooden dowel	 $\Phi 8 \times 30 \text{mm}$	12
B	Bolt	 $\Phi 1/4" \times 1-1/8"$	8
C	Allen wrench		1
D	Handle		5
E	Machine screw	 $\Phi 5/32" \times 4/5"$	10
F	Back screw	 $\Phi 3 \times 12 \text{mm}$	16
G	Bolt	 $\Phi 1/4" \times 1-1/2"$	4
H	Grub screw	 $\Phi 4 \times 25 \text{mm}$	40
I	Safety wall strap		2
J	Plastic anchor		2
K	Mounting screw	 $\Phi 4 \times 38 \text{mm}$	2
L	Washer		2

ASSEMBLY INSTRUCTION

- * Required screwdriver & mallet, not included.
- * Before discarding packing materials, please check to make sure that all parts and hardware is present.
- * Two people needed for assembly.
- * Please follow the instructions closely; do not over tighten screws or bolts unless instructed.
- * After a few days from initial assembly, the product may have acclimated to the new environment. Please retighten the hardware.

Fastener installation procedure guide (1 and 2)






Align the cross shape of fastener "B" on the vertical plate with the hole position on the top plate and bottom plate,

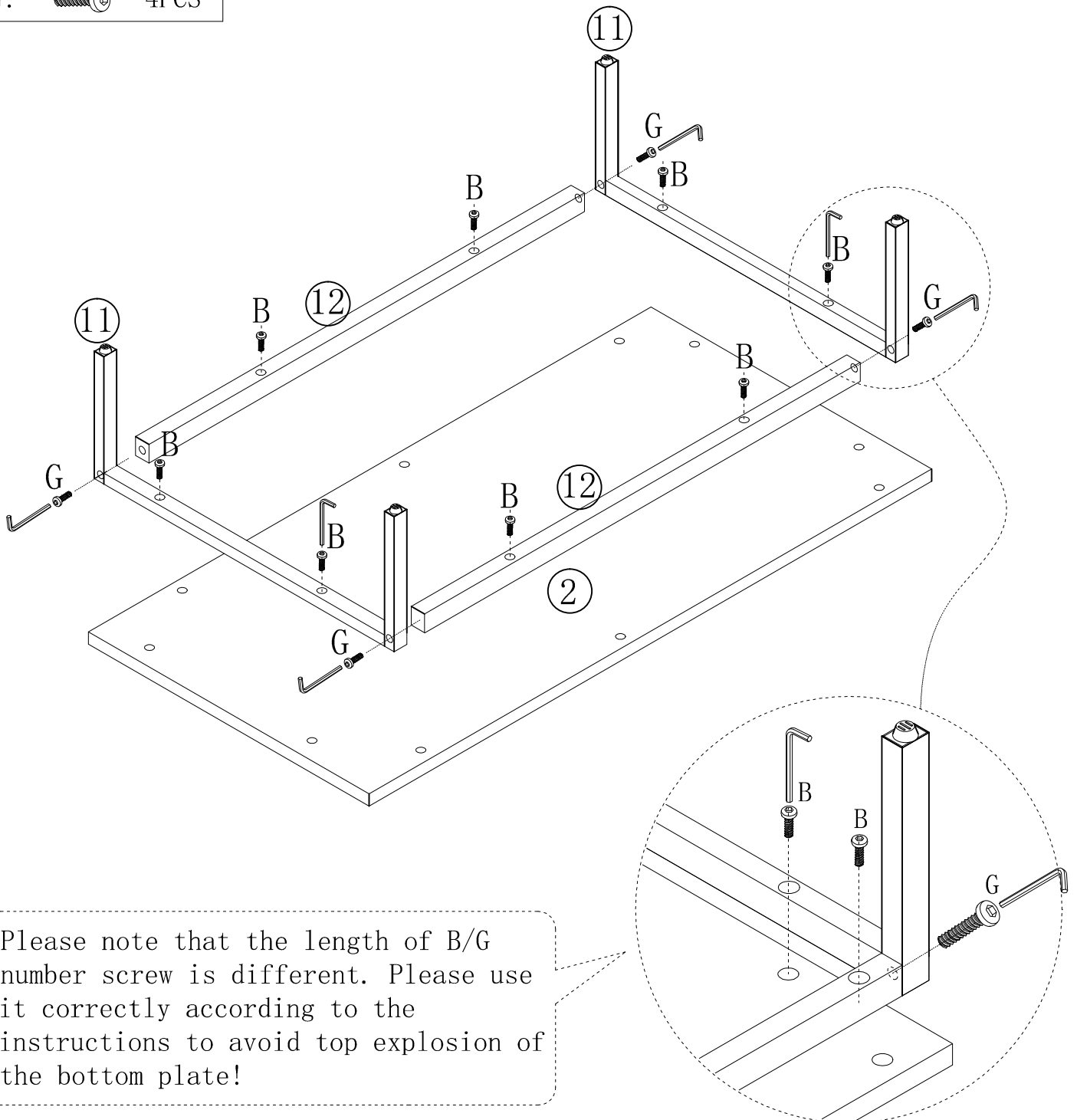
Press and hold the fastener door latch firmly towards the notch direction,

If the fastener is hard to press, it may be easier to use a wooden stopper.

ASSEMBLY INSTRUCTION

STEP 1


B:		8PCS
C:		1PC
G:		4PCS

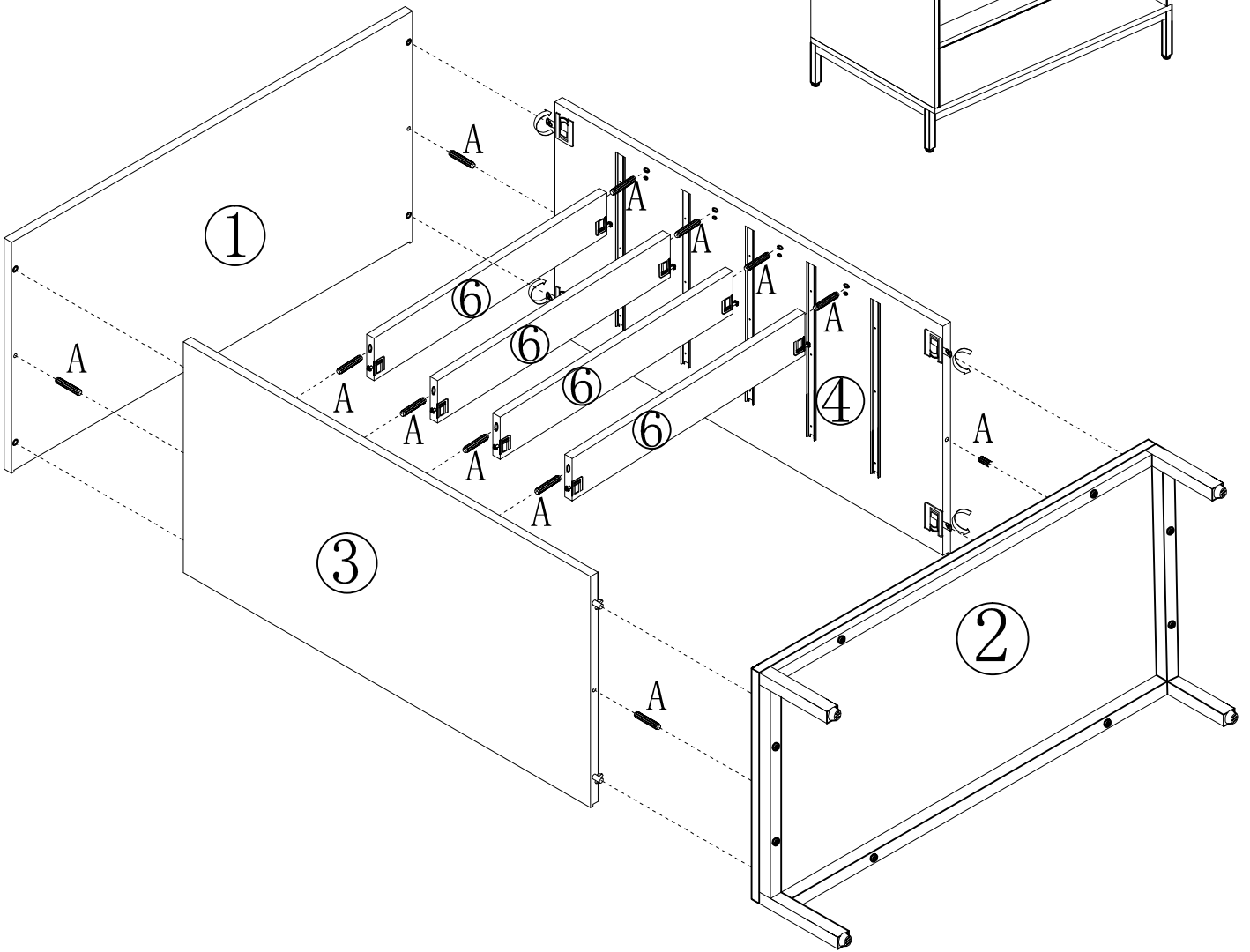


Please note that the length of B/G number screw is different. Please use it correctly according to the instructions to avoid top explosion of the bottom plate!



ASSEMBLY INSTRUCTION

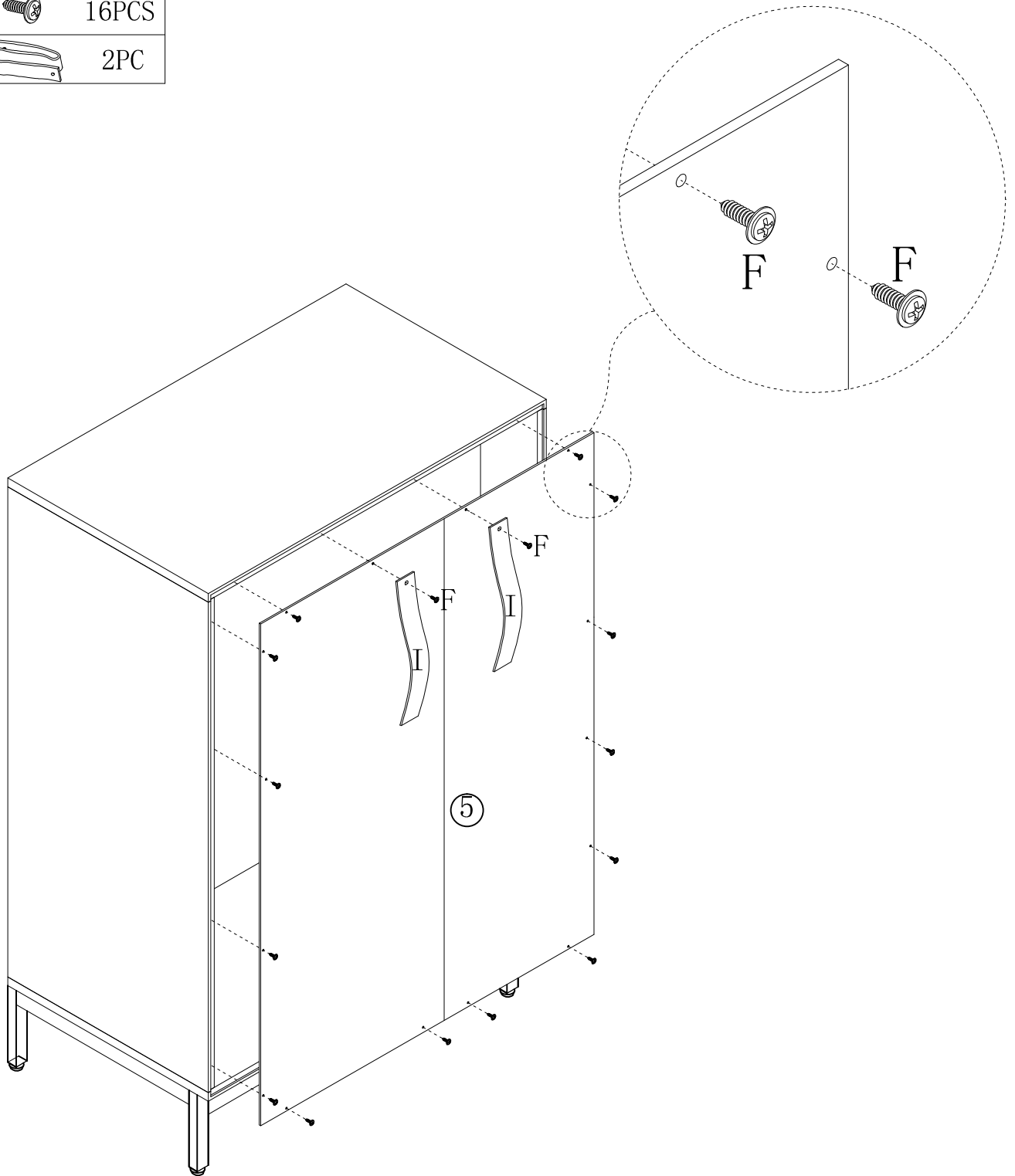
STEP 2

A:  12PCS






STEP 3

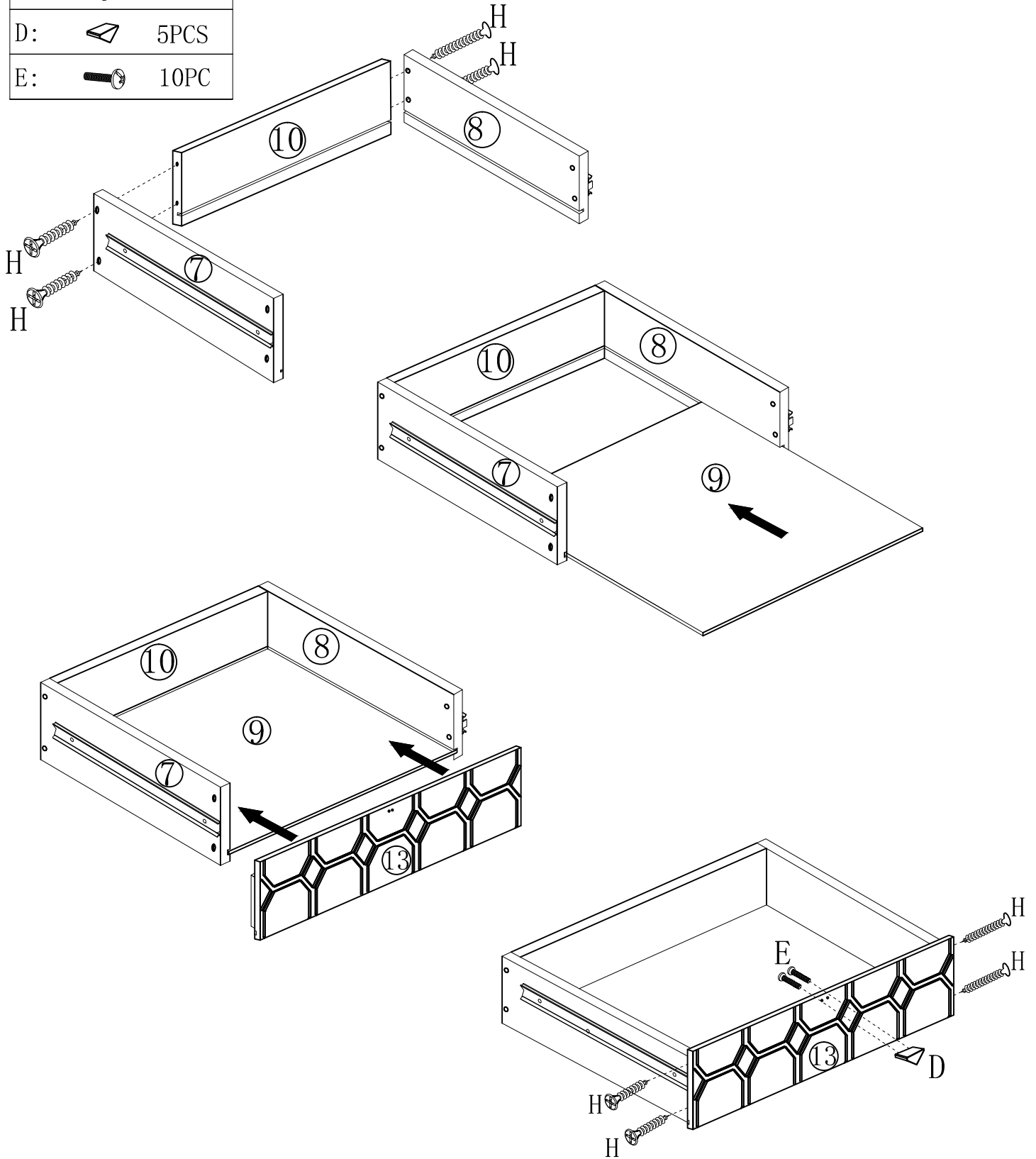
F:		16PCS
I:		2PC



ASSEMBLY INSTRUCTION

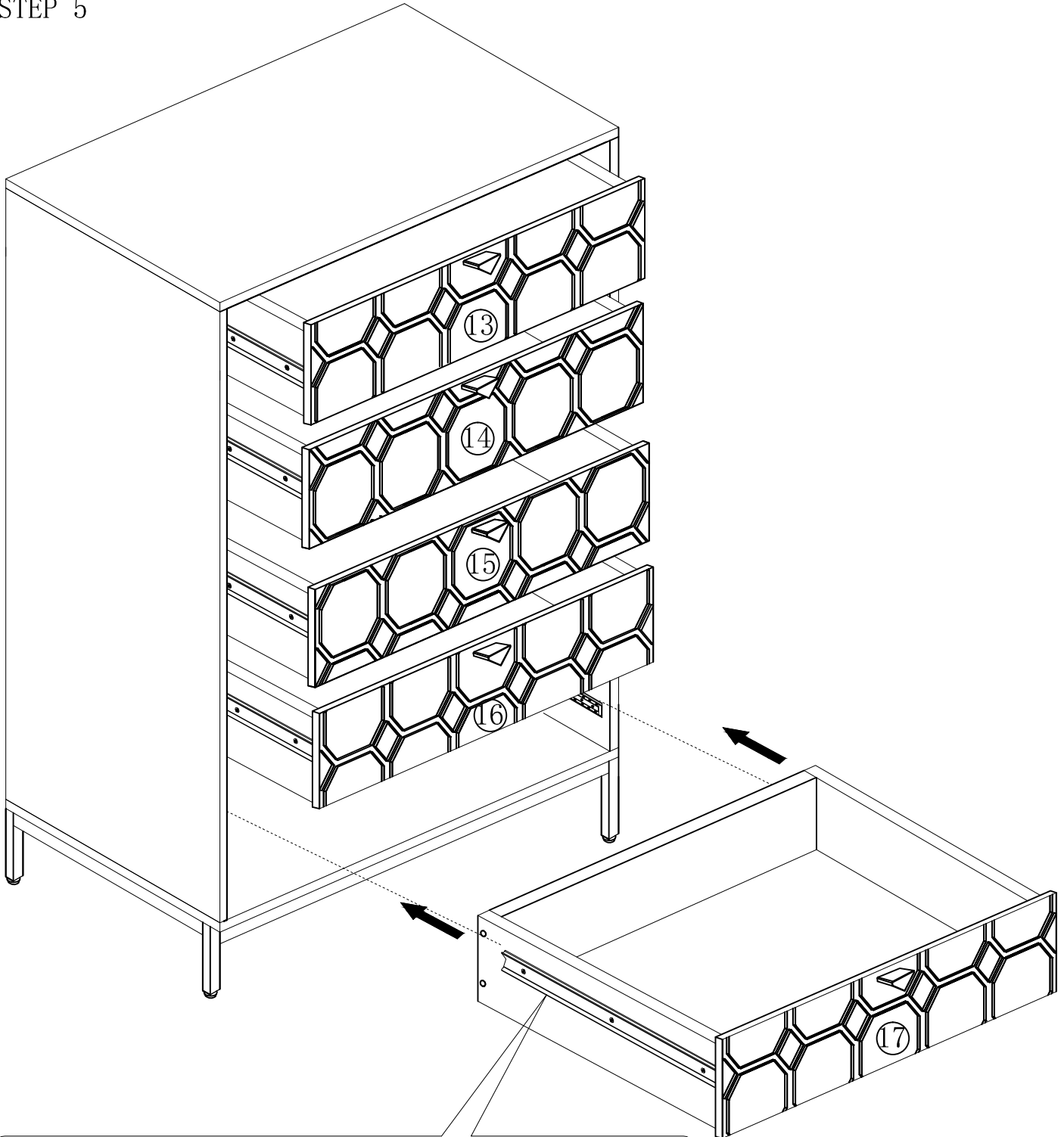
STEP 4

H:		40PCS
D:		5PCS
E:		10PC



ASSEMBLY INSTRUCTION

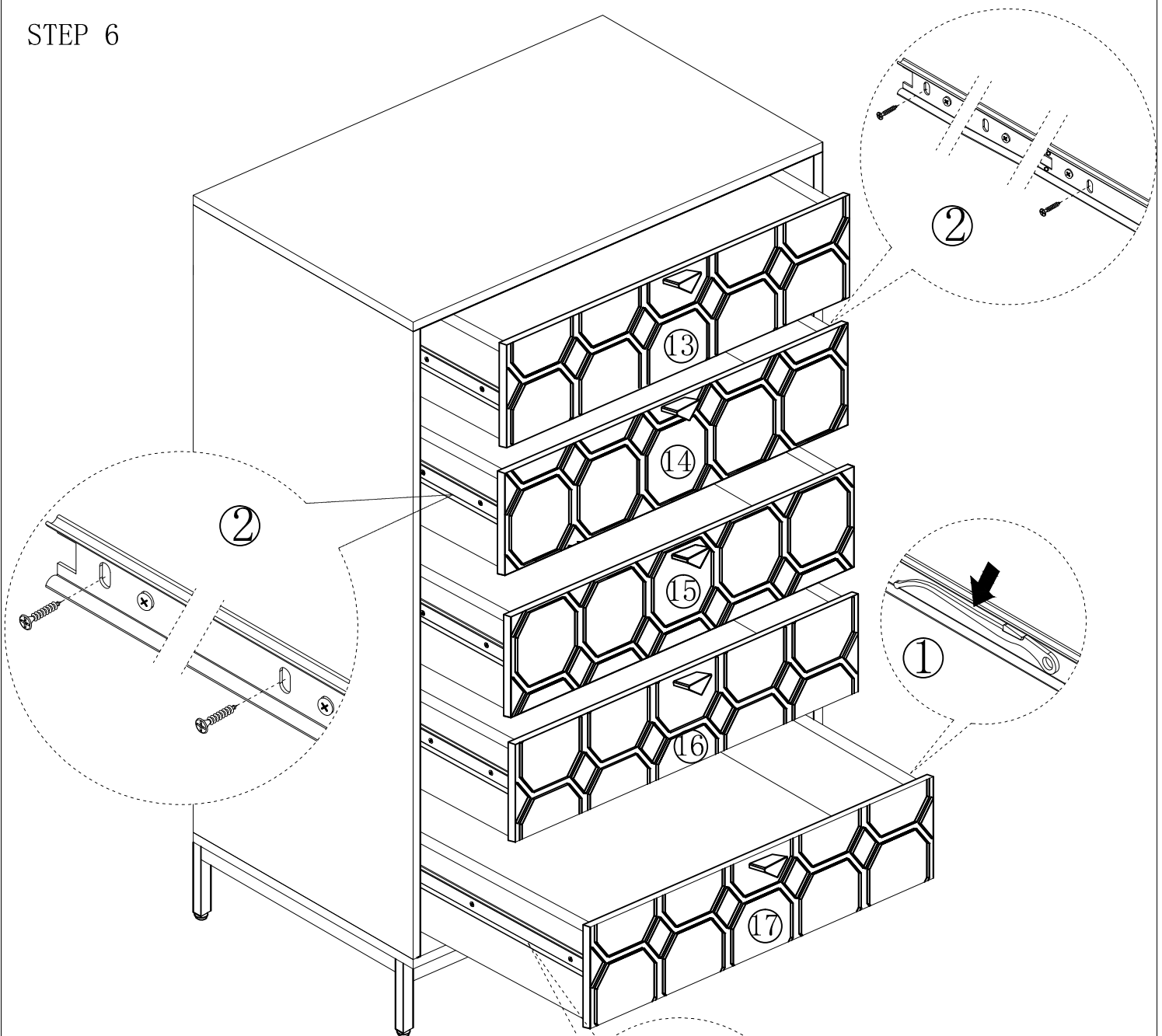
STEP 5



Tip: the front of the drawer, if there is tilt, do not force out, can be adjusted according to these two positions, please refer to the following steps.

ASSEMBLY INSTRUCTION

STEP 6






1. Hold down the PVC buckle on the rails on both sides of the suction drum, and gently pull out the suction drum;

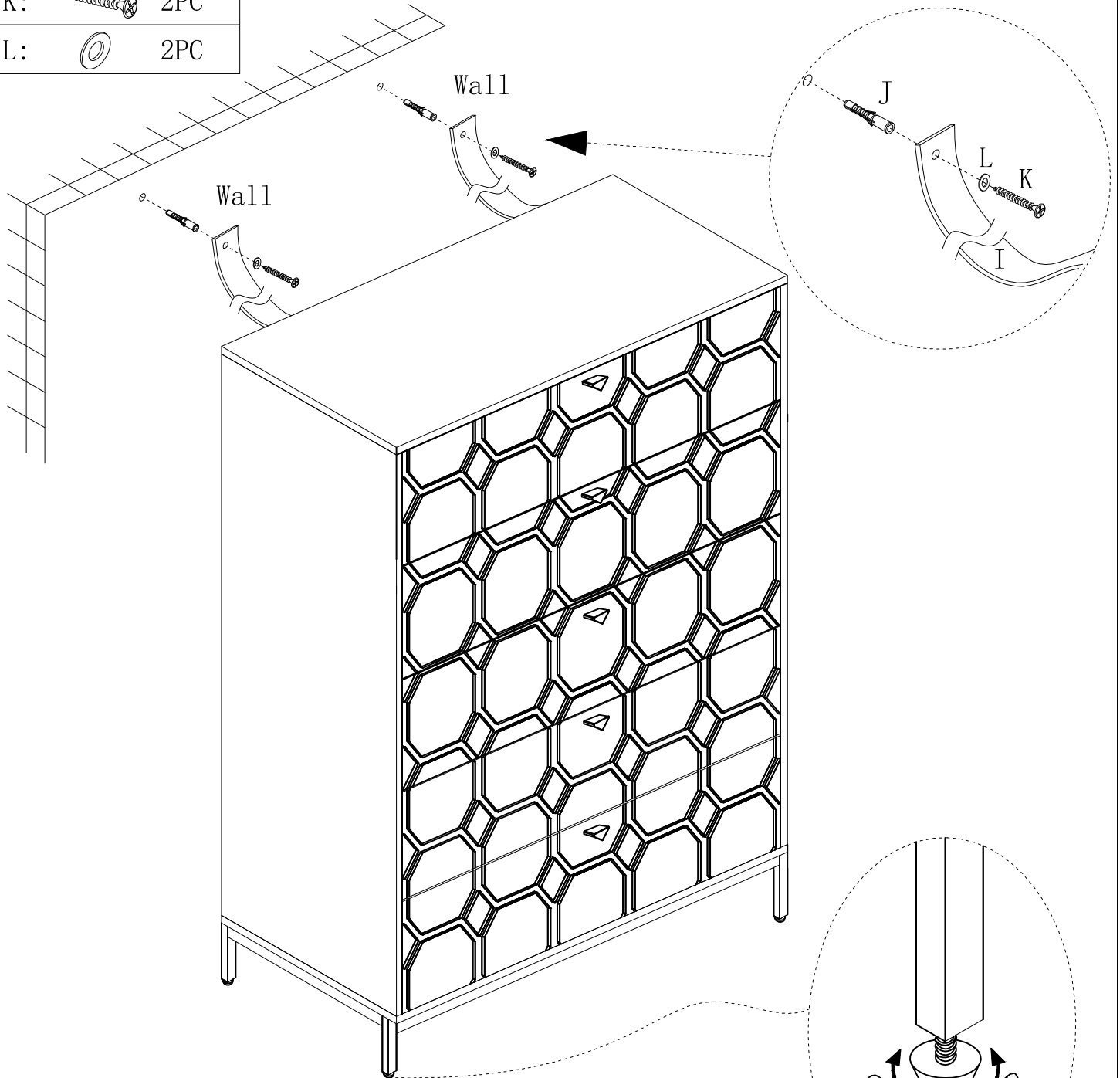
2. Loosen the screw of the original fixed track on the suction drum and the side plate, lock it up and fix it by adjusting the position of the hole next to it up and down, then install it into the suction drum.

ASSEMBLY INSTRUCTION

STEP 7

J:		2PC
K:		2PC
L:		2PC

For safety reasons,
it is recommended to install
safety wall strap to fix the item



After installation, adjust the
adjustable foot to keep the cabinet
balanced and align the door.

