

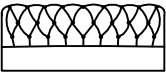


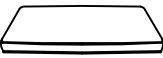
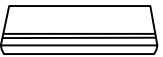

# Assembly Instructions

## ITEM NO.: 4002






Thank you for purchasing this quality product. Be sure to check all packing material carefully for small parts that may have come loose inside the carton during shipment. (Note: Loosely thread all screws/bolts first. Once the item is assembled then completely tighten.)

### TOOLS REQUIRED

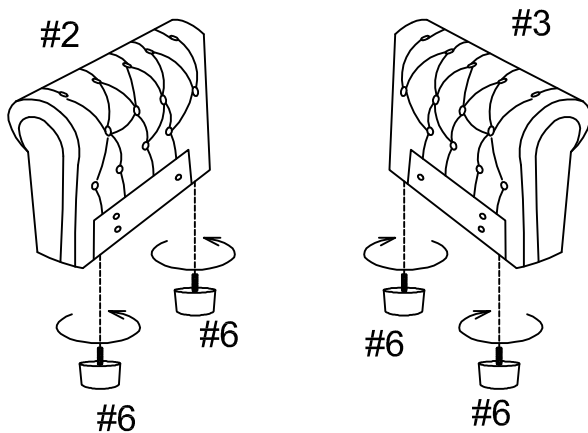
#### PARTS LIST:

NO	Description	Sketch	Quantity
#1	Backrest		1PC
#2	Left Arm		1PC
#3	Right Arm		1PC
#4	Seat Cushion		1PC
#5	Seat Frame		1PC
#6	Leg		4PCS

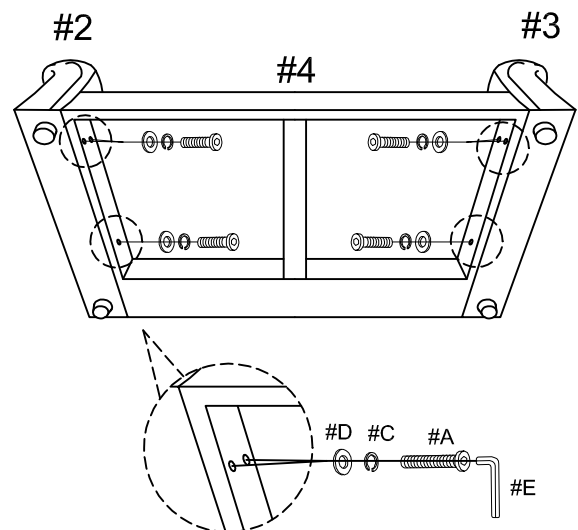
#### HARDWARE LIST:

NO	Description	Sketch	Quantity
#A	5/16" x 1"		6PCS
#B	5/16" x 2-1/2"		4PCS
#C	Lock Washer		10PCS
#D	Flat Washer		10PCS
#E	Allen Wrench		1PC

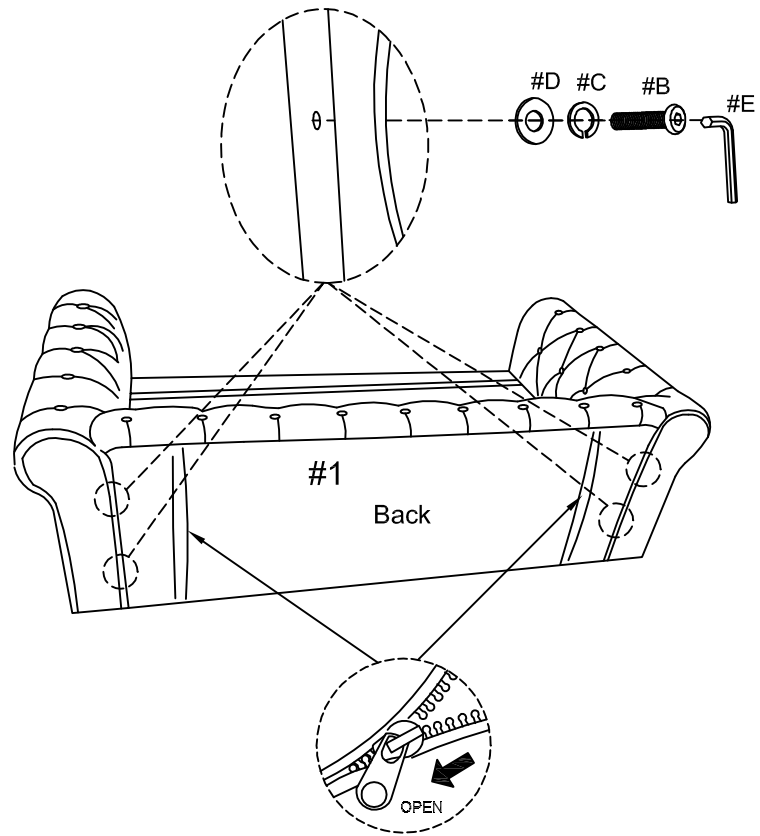
### Step 1



### Step 2



Step 3



Step 4

