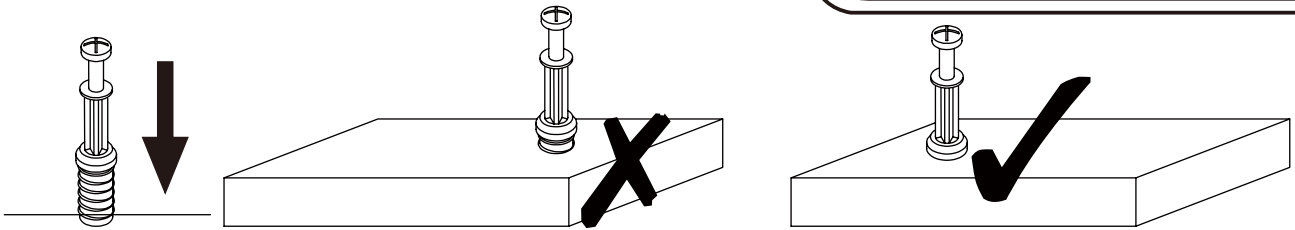
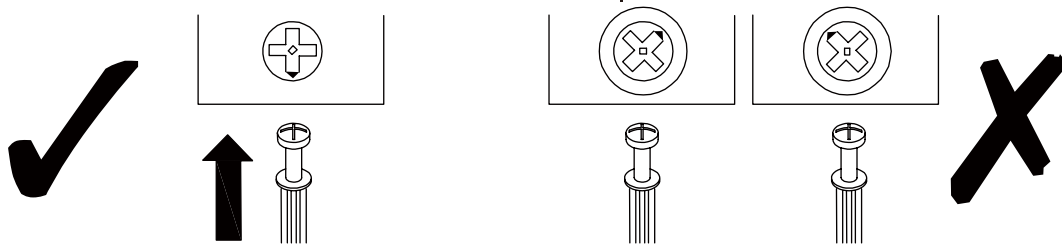


EN_IMPORTANT, RETAIN FOR FUTURE REFERENCE: READ CAREFULLY.

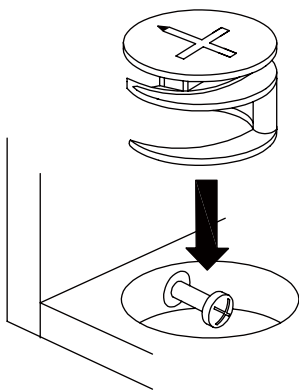
USING CAM LOCK AND QUICKFIT



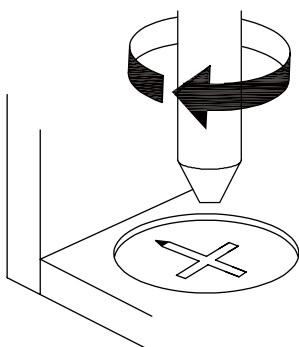
EN_QUICKFIT: Tighten quickfit until shoulder is flush with panel. Do not overtighten or undertighten.



EN_CAM LOCK: When fitting cam lock, ensure starting position is correct before you insert connecting quickfit.

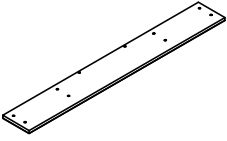
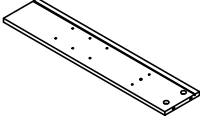
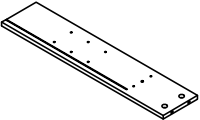
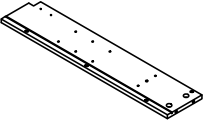
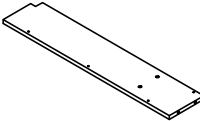
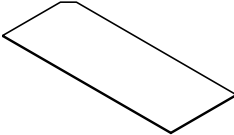

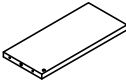
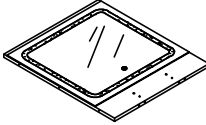



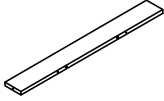
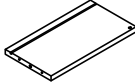
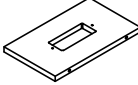
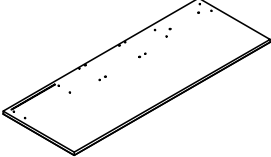
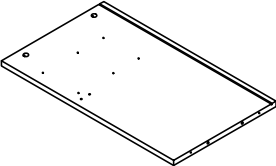
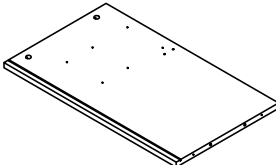
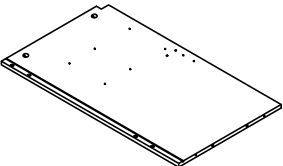
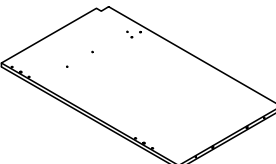
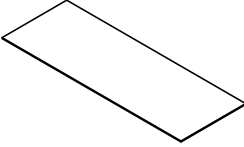
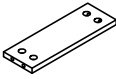
EN_Quickfit head should be in the centre of the cam lock when the two panels are joined.
Cam lock should be inserted before quickfit.



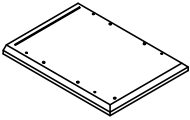
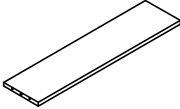
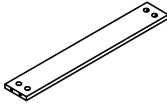
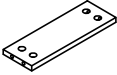
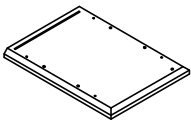
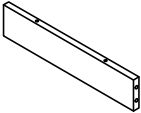
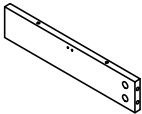
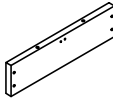
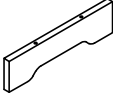
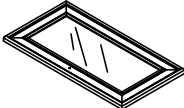
EN_Turn cam lock clockwise to tighten.

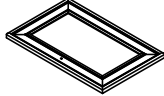
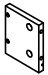

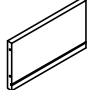

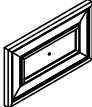
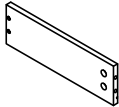
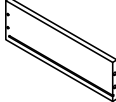
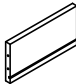
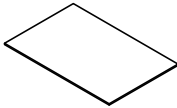
PACKING DELALS

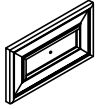
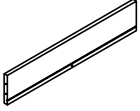
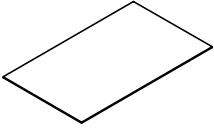
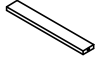
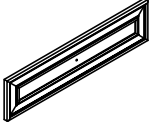
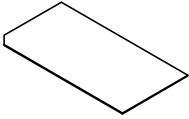

NO.	PARTS	QTY	SPARE
①		x1	
②		x1	
③		x1	
④		x1	
⑤		x1	
⑥		x1	
⑦		x2	
⑧		x1	
⑨		x1	
⑩		x2	

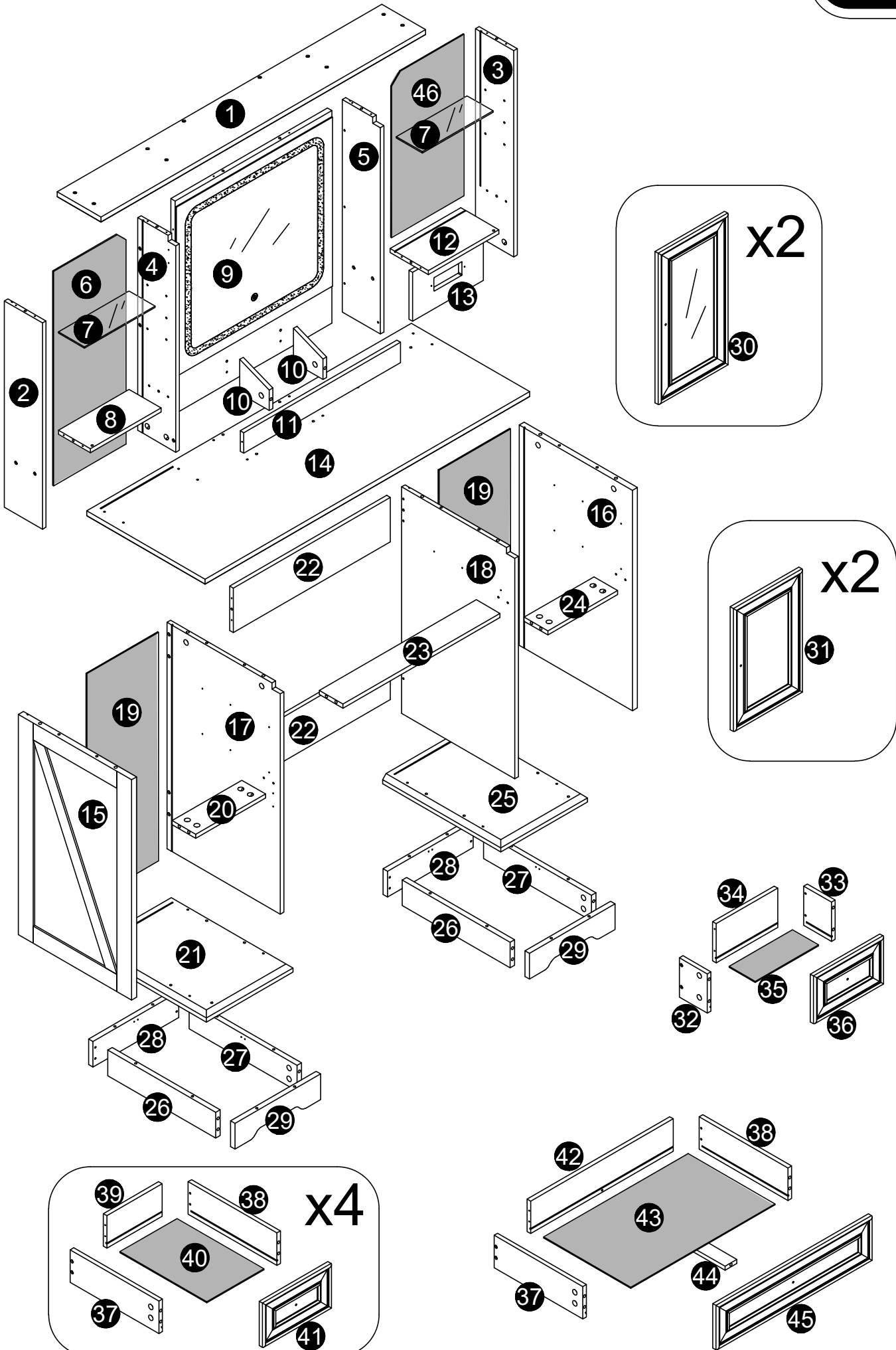
NO.	PARTS	QTY	SPARE
⑪		x1	
⑫		x1	
⑬		x1	
⑭		x1	
⑮		x1	
⑯		x1	
⑰		x1	
⑱		x1	
⑲		x2	
⑳		x1	

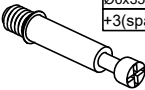

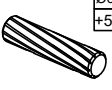
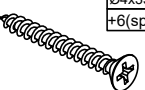
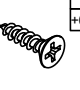
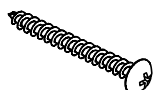


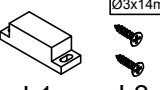






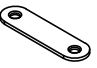
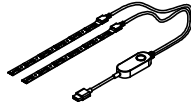
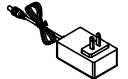
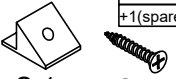

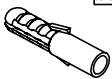




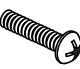
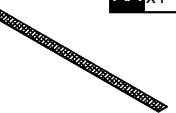
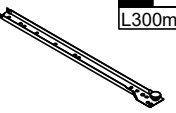
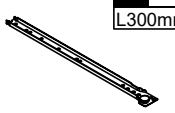
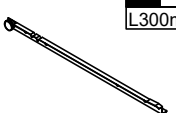
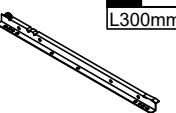
PACKING DELALS

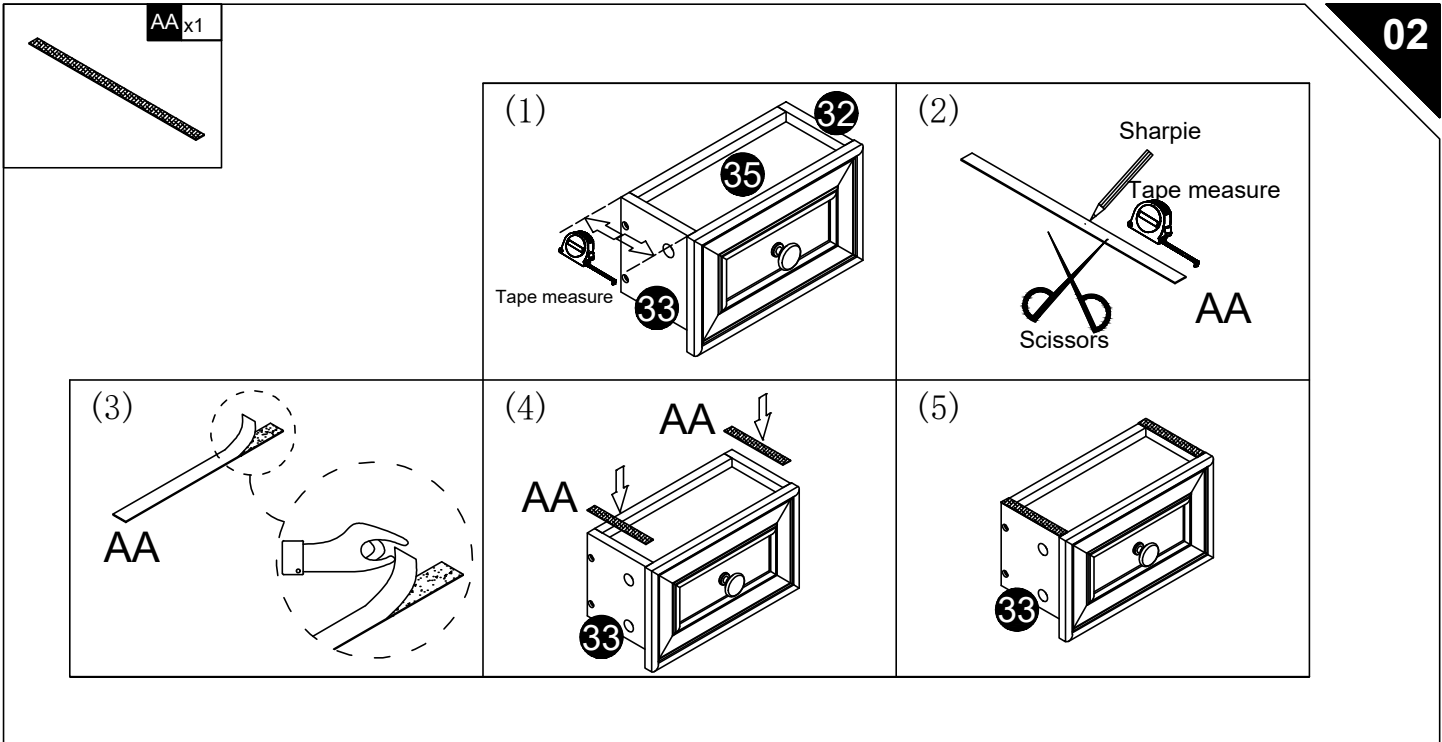
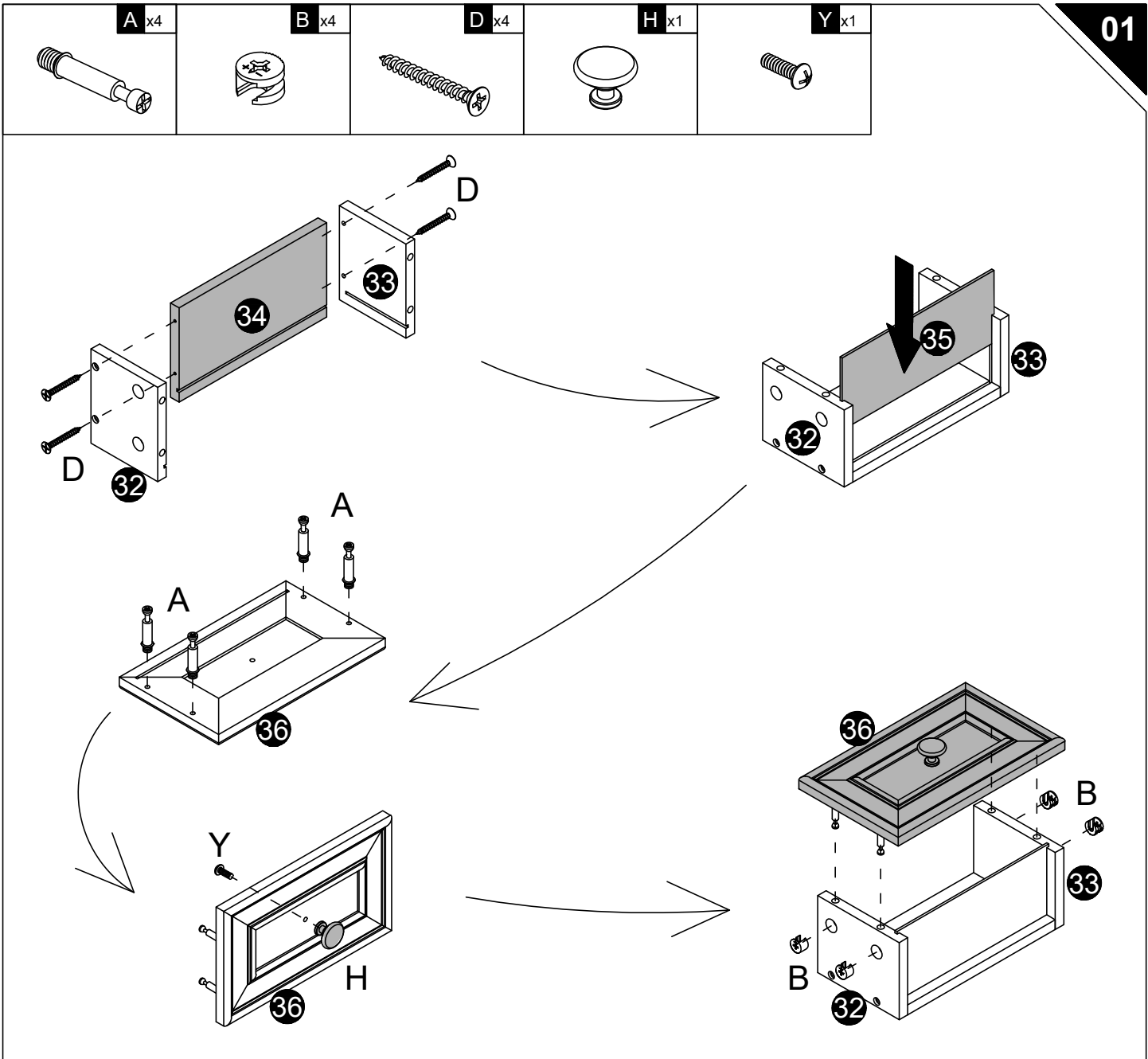
NO.	PARTS	QTY	SPARE
21		x1	
22		x2	
23		x1	
24		x1	
25		x1	
26		x2	
27		x2	
28		x2	
29		x2	
30		x2	

NO.	PARTS	QTY	SPARE
31		x2	
32		x1	
33		x1	
34		x1	
35		x1	
36		x1	
37		x5	
38		x5	
39		x4	
40		x4	

NO.	PARTS	QTY	SPARE
④1		x4	
④2		x1	
④3		x1	
④4		x1	
④5		x1	
④6		x1	
	 Hardware Kit	x1	



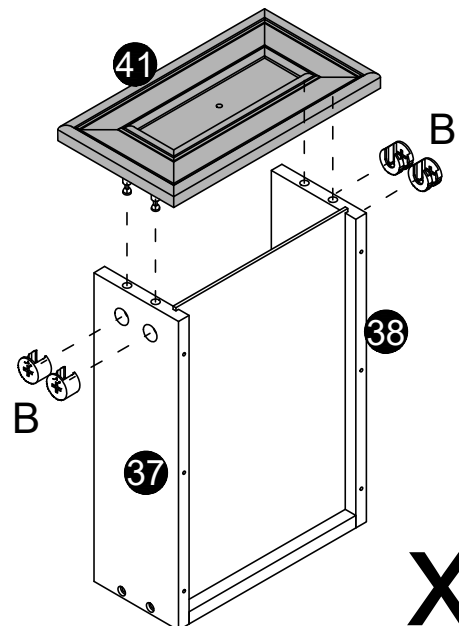
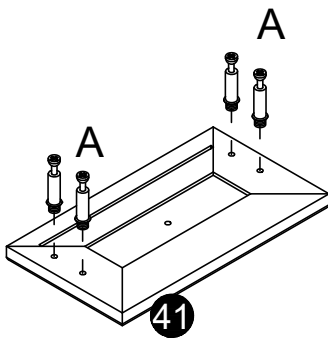
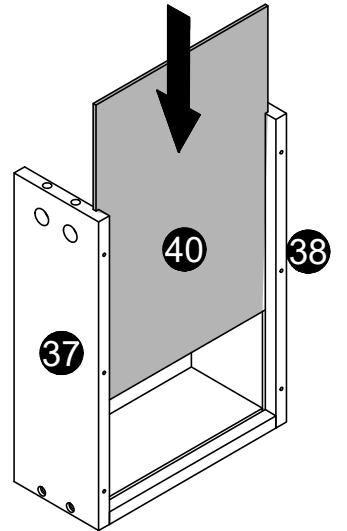
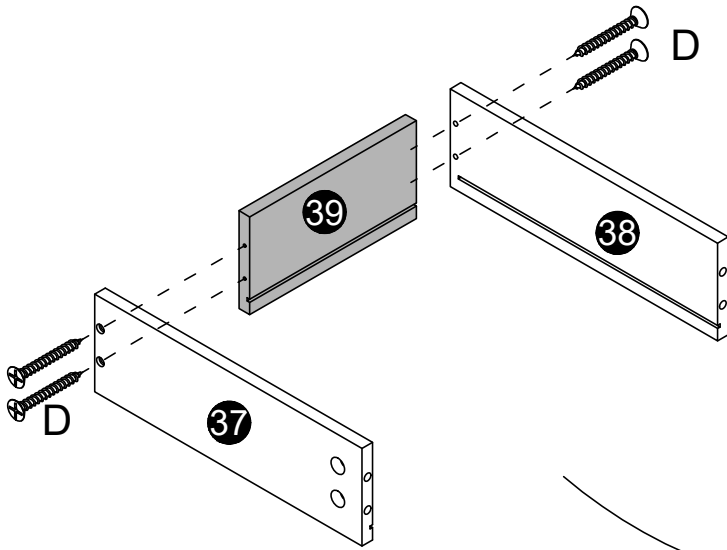
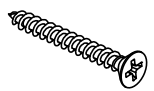
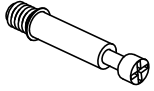
 <p>A x65 Ø6x35mm +3(spare)</p>	 <p>B x65 Ø15x10mm +3(spare)</p>	 <p>C x56 Ø6x30mm +5(spare)</p>	 <p>D x69 Ø4x35mm +6(spare)</p>	 <p>E x60 +6(spare)</p>	 <p>F x12</p>
 <p>G x8</p>	 <p>H x10</p>	 <p>I x4 Ø3x14mm I-1 I-2</p>	 <p>J x8</p>	 <p>K x4</p>	 <p>L x2 L-1 L-2</p>
 <p>M x4 M-1 M-2 M-3</p>	 <p>N x1</p>	 <p>O x2 Ø3.5x12mm</p>	 <p>P x4</p>	 <p>Q x1</p>	 <p>R x1</p>
 <p>S x16 Ø3x16mm +1(spare) S-1 S-2</p>	 <p>T x2 Ø4x14mm T-1 T-2</p>	 <p>U x2 Ø6x30mm</p>	 <p>V x56 Ø3.5x12mm +5(spare)</p>	 <p>W x13 +2(spare)</p>	 <p>X x10 +2(spare)</p>
 <p>Y x6</p>	 <p>Z x4</p>	 <p>AA x1</p>			
 <p>CL x5 L300mm</p>	 <p>CR x5 L300mm</p>	 <p>DL x5 L300mm</p>	 <p>DR x5 L300mm</p>		



A x16

B x16

D x16

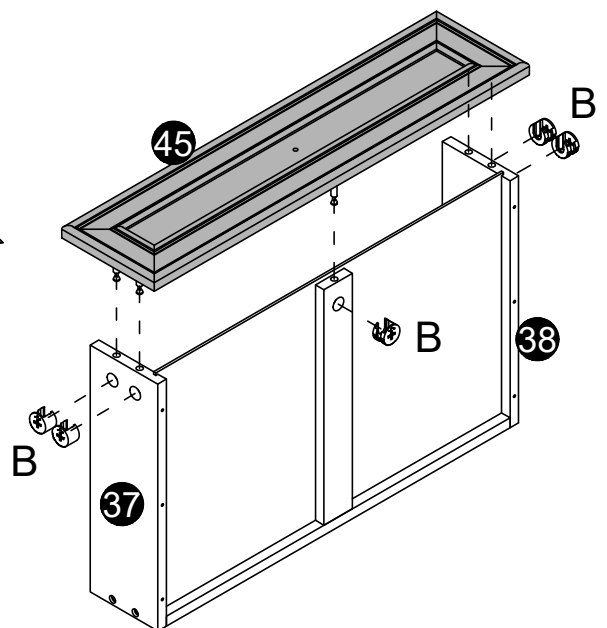
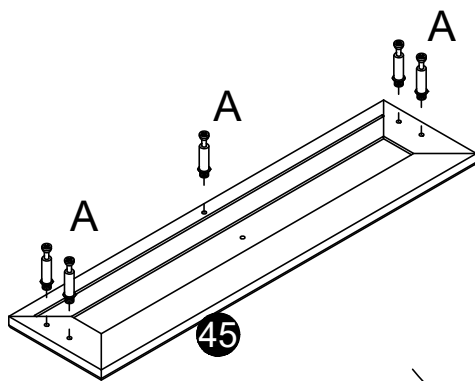
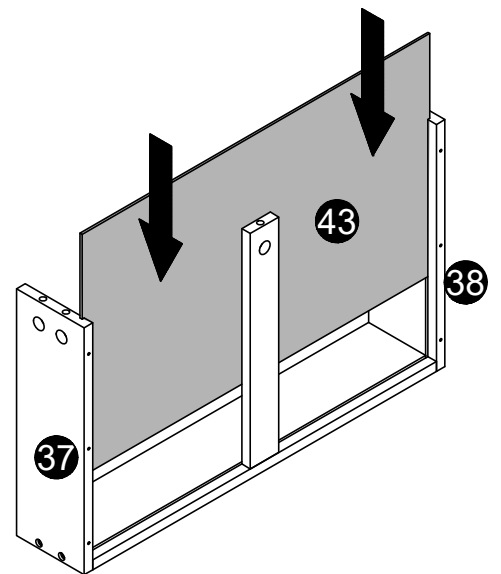
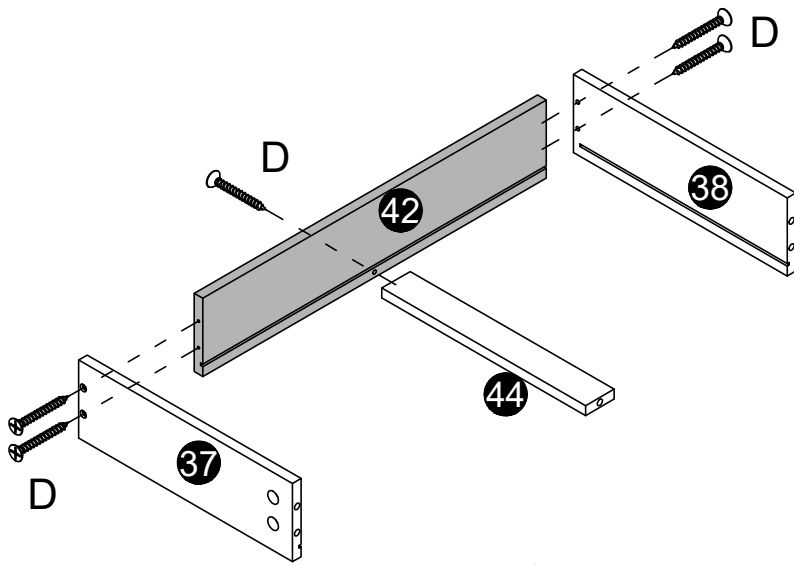
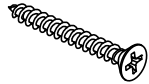
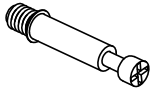


x4

A x5

B x5

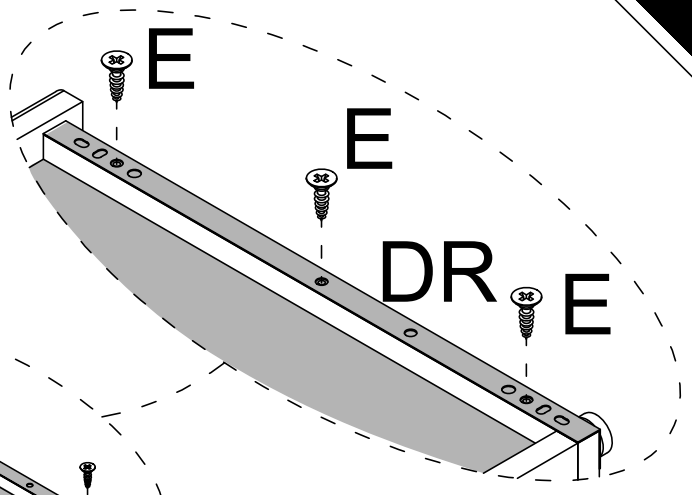
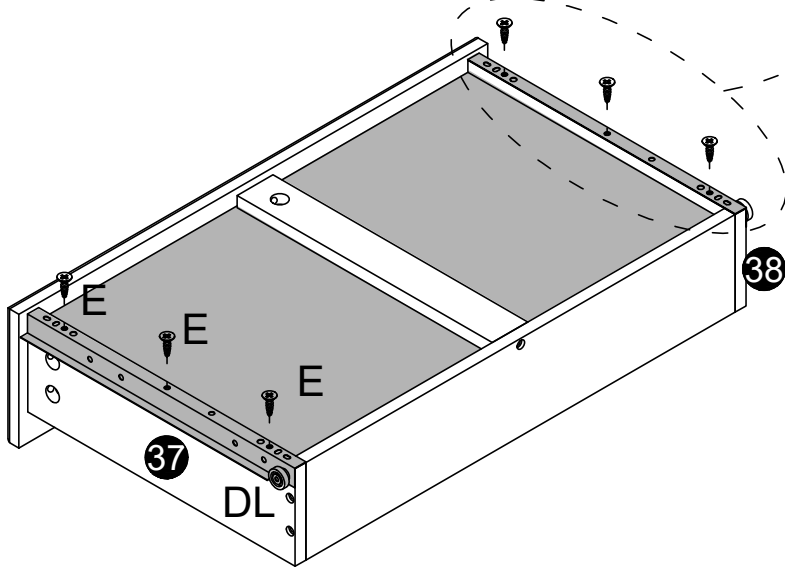
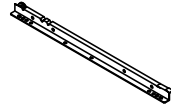
D x5



E x6

DL x1

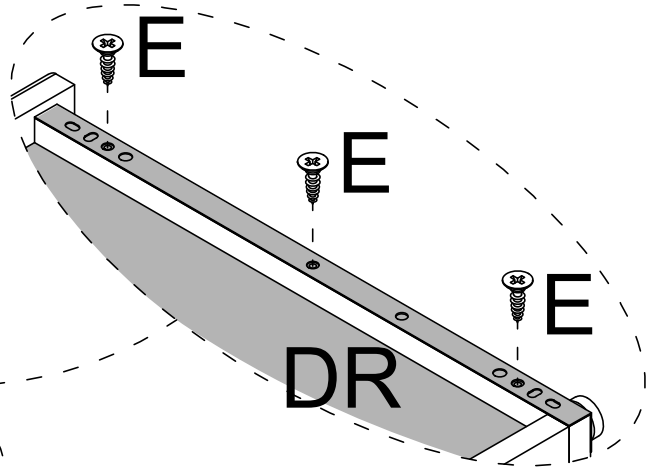
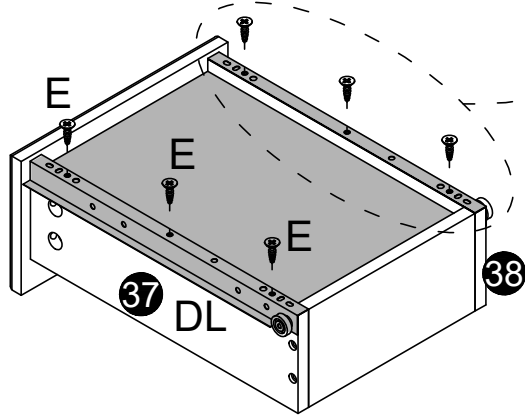
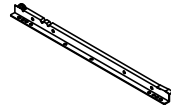
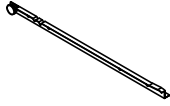
DR x1



E x24

DL x4

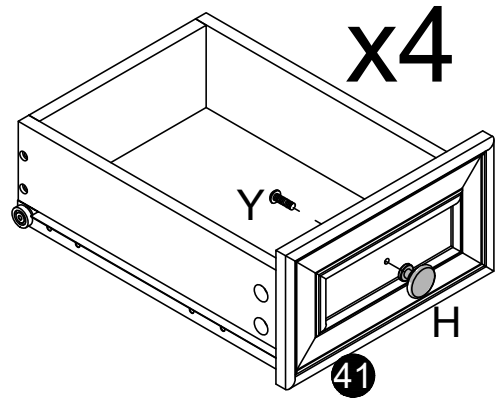
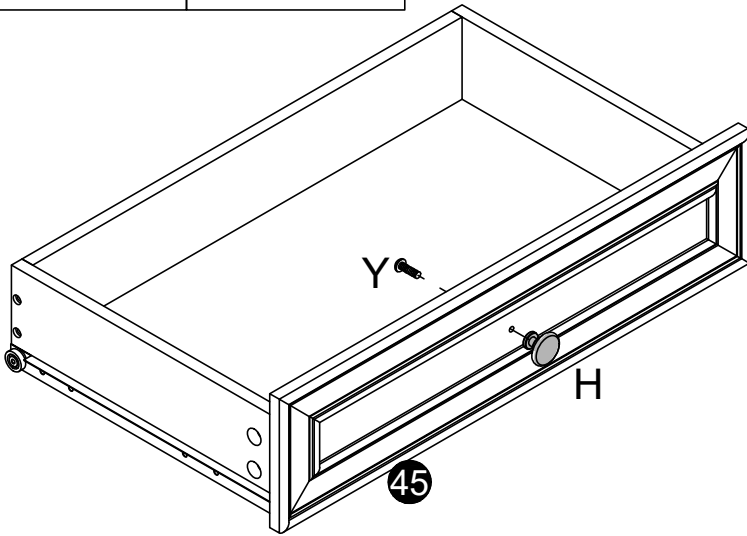
DR x4



x4

H x5

Y x5

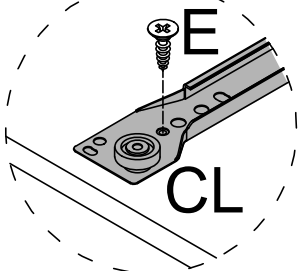
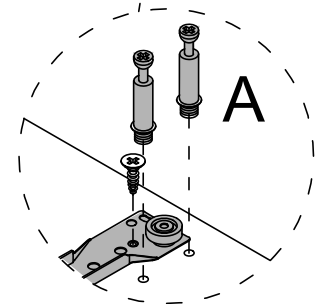
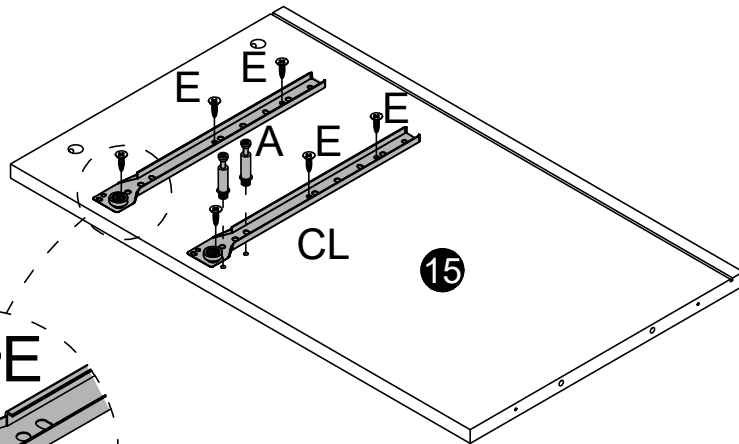
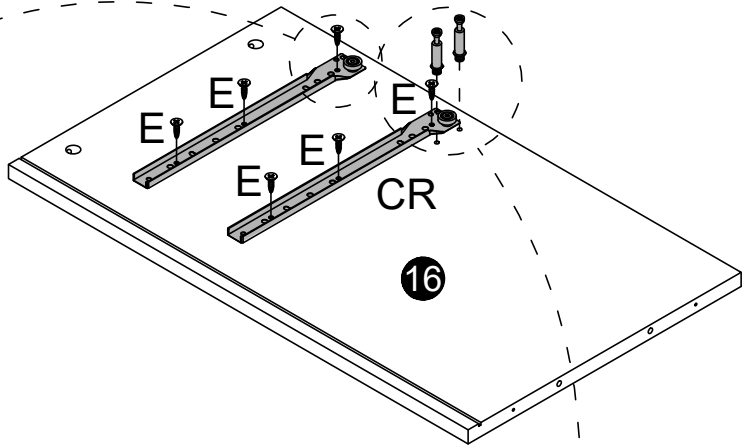
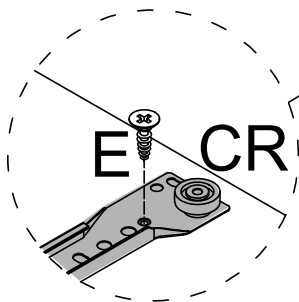
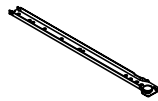
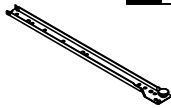
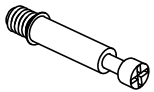


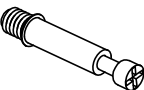

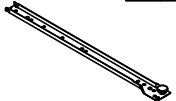
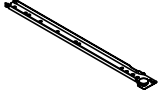
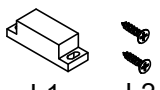
A x4

E x12

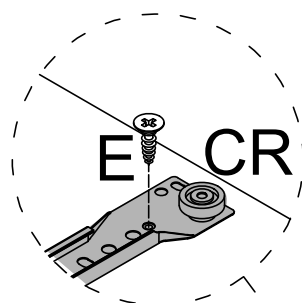
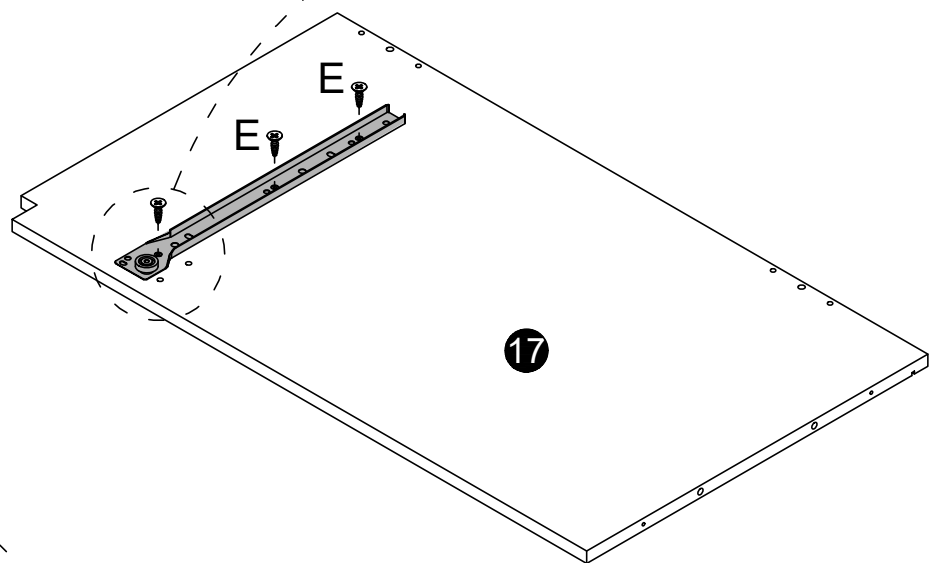
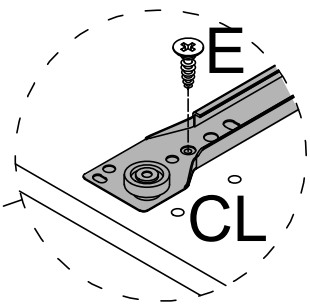
CL x2

CR x2

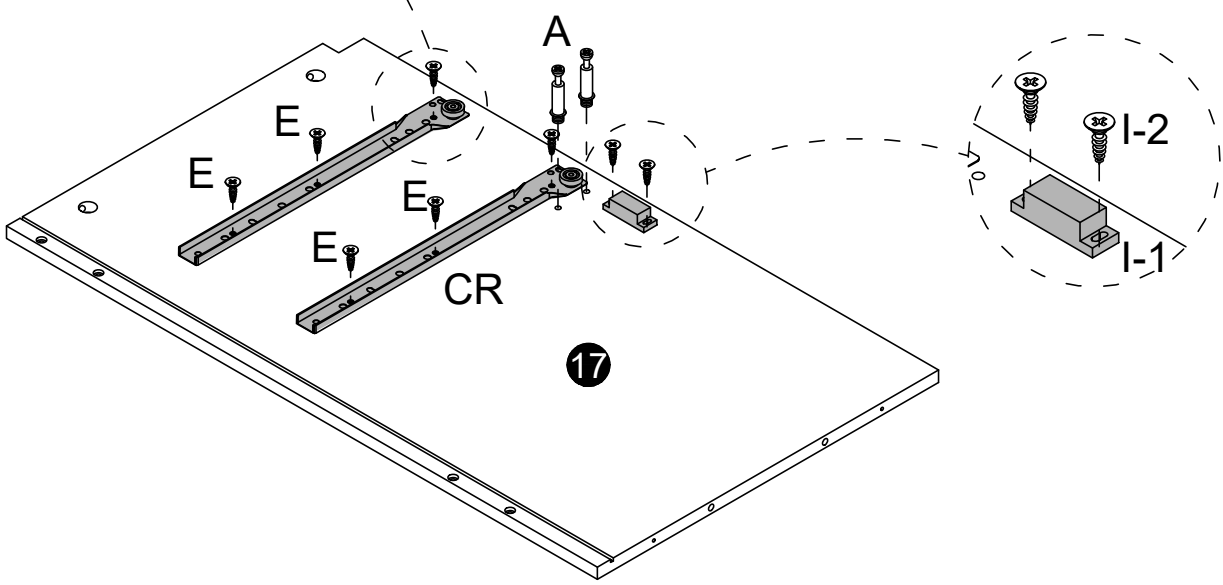


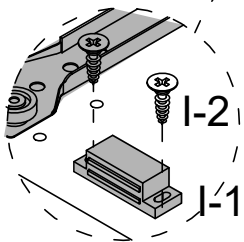
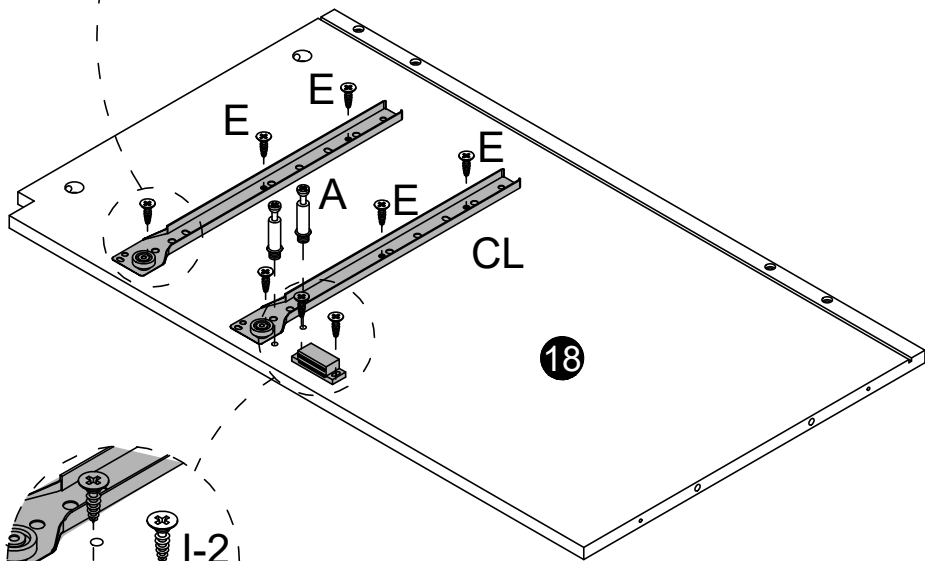
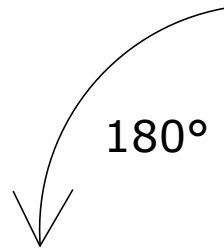
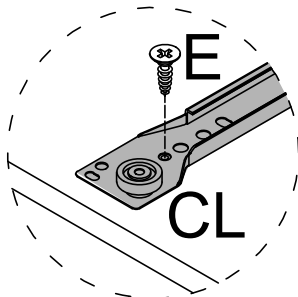
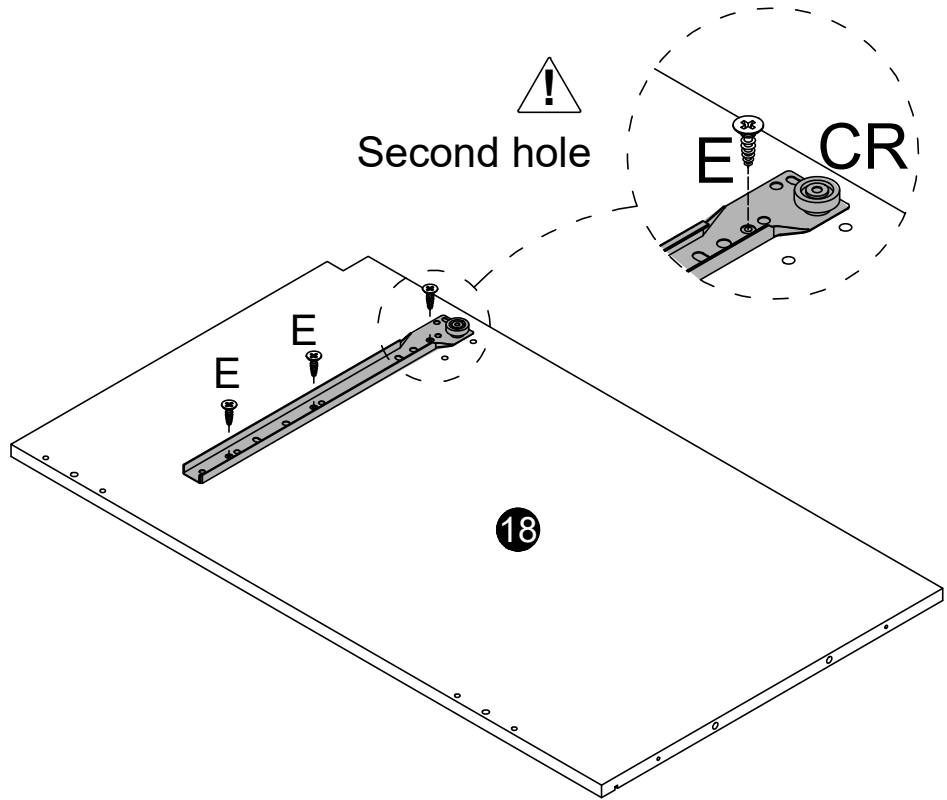
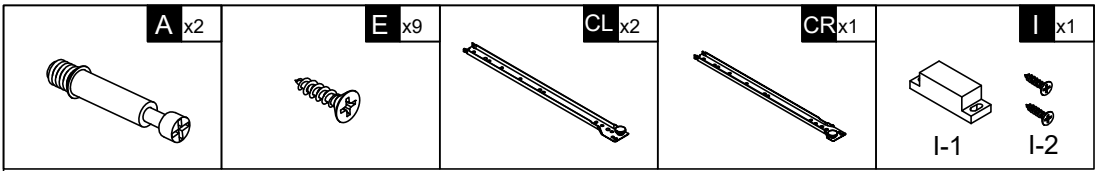
 <p>A x2</p>	 <p>E x9</p>	 <p>CL x1</p>	 <p>CR x2</p>	 <p>I-1 I-2</p>
---	---	--	--	---

! Second hole



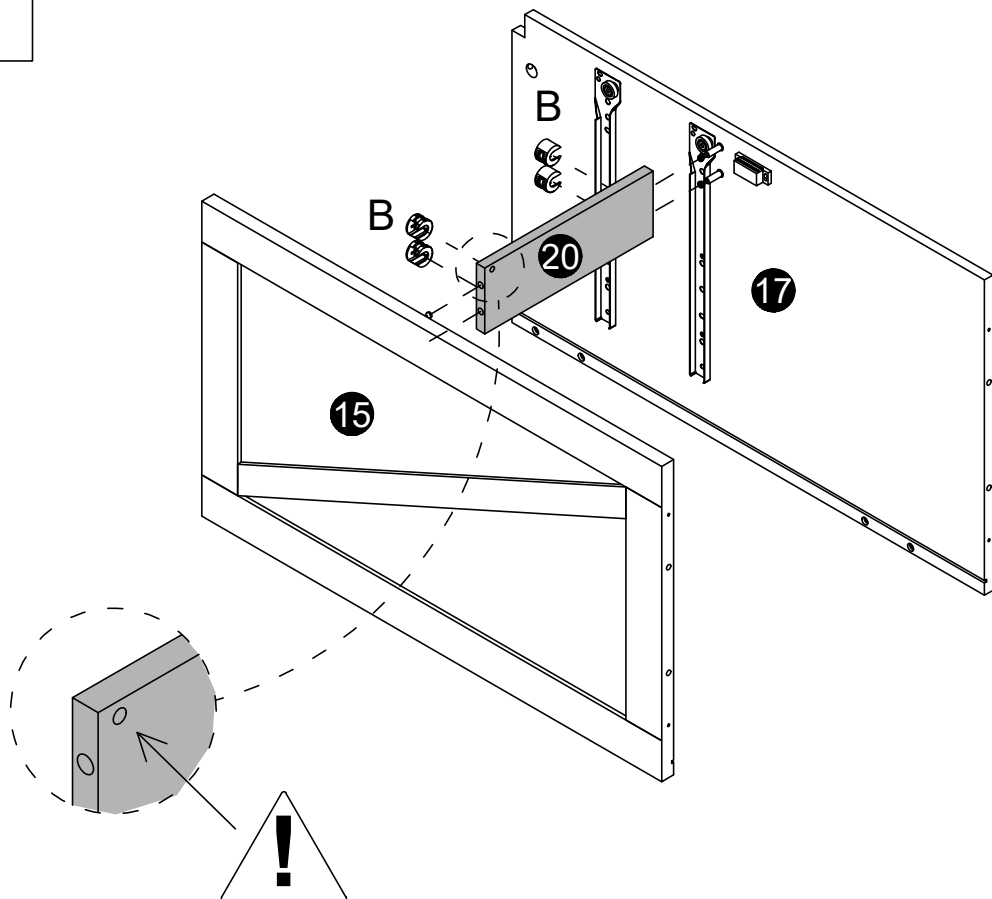
180°





B x4

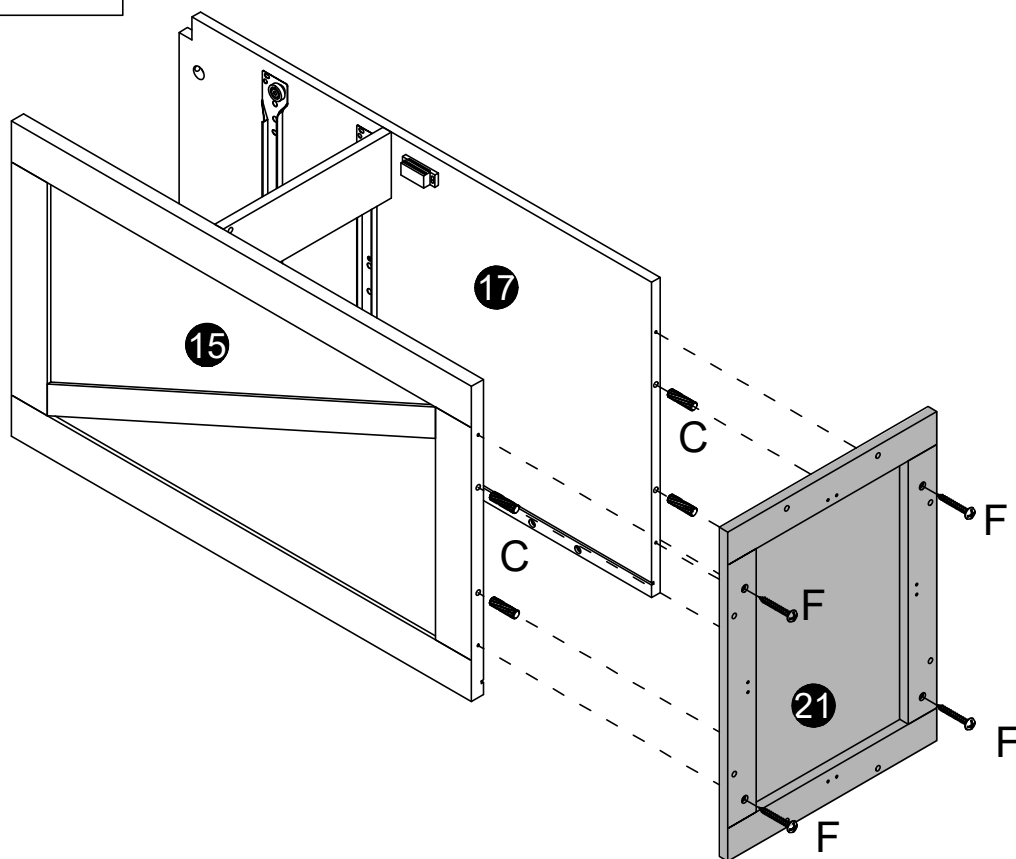
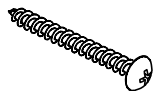
11



C x4

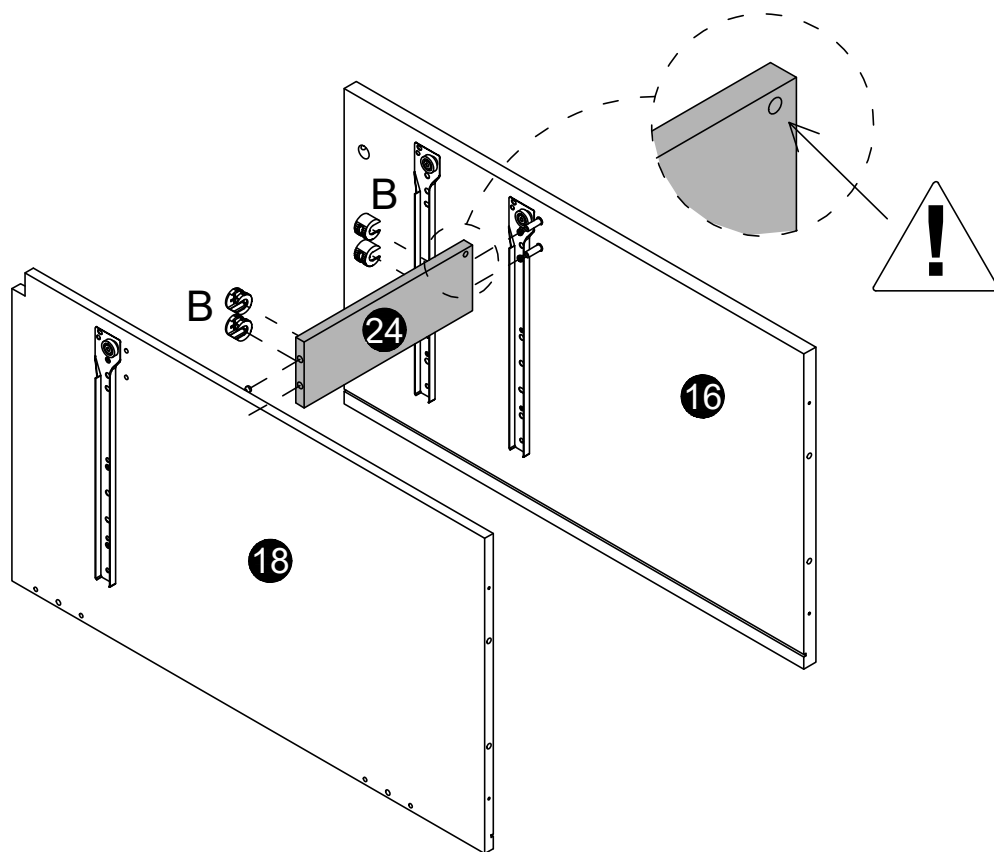
F x4

12



B x4

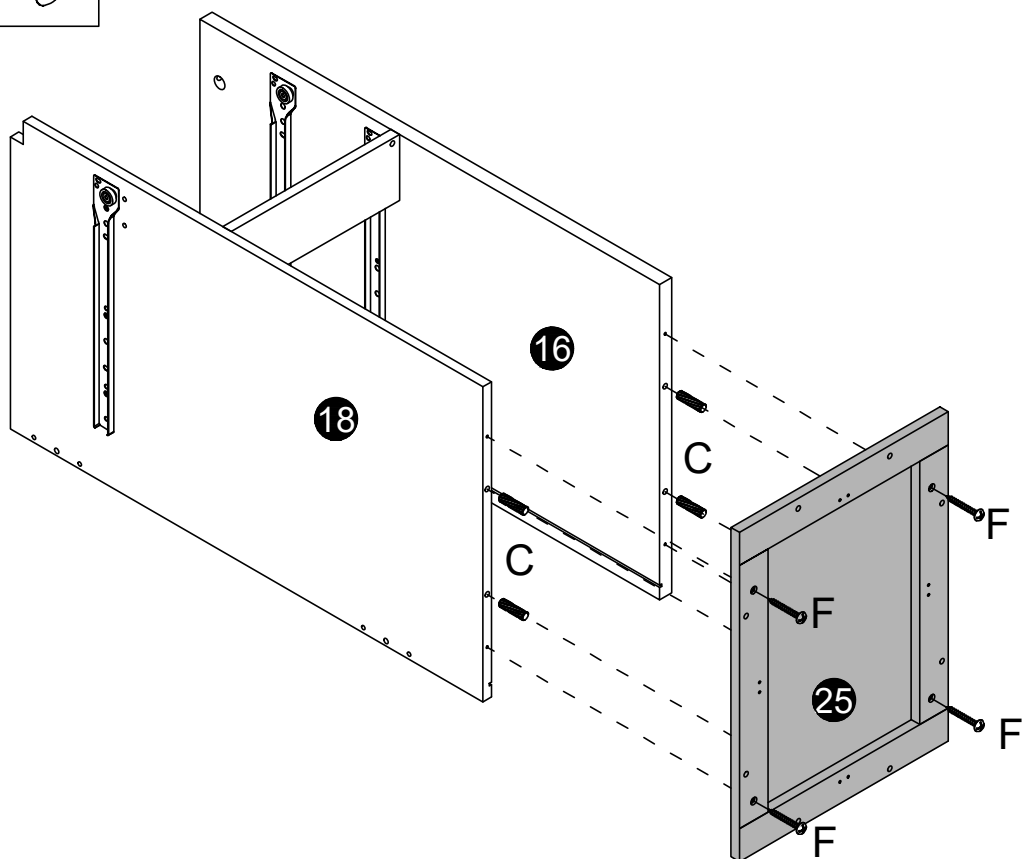
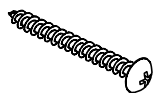
13



C x4

F x4

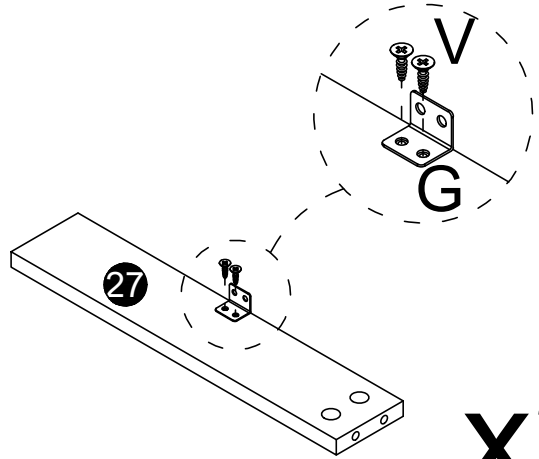
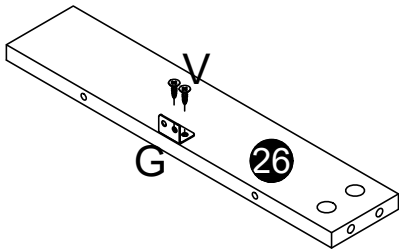
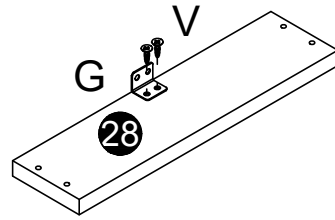
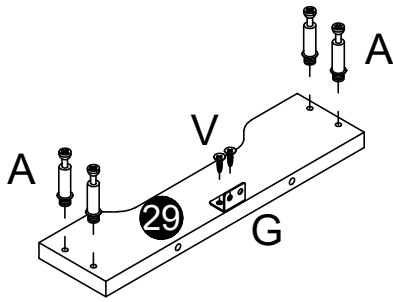
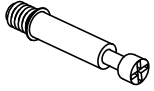
14



A x8

G x8

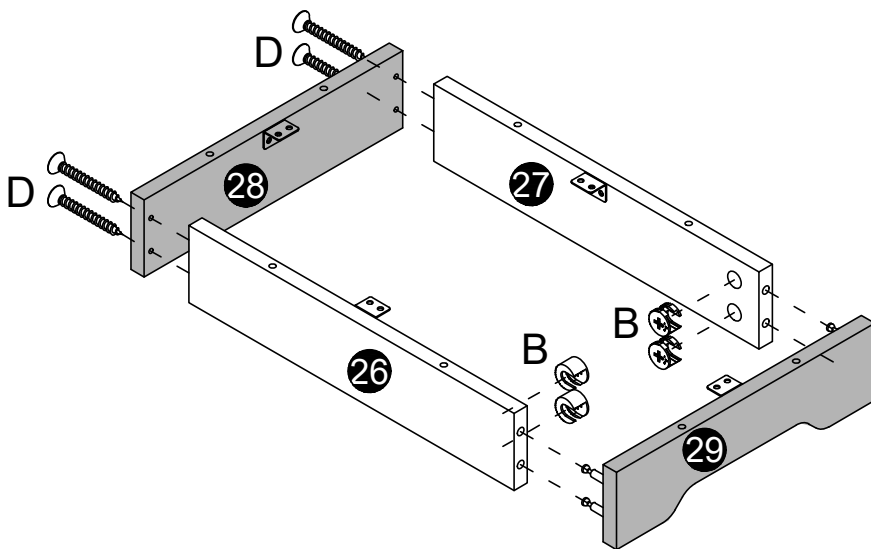
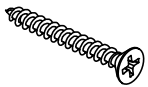
V x16



x2

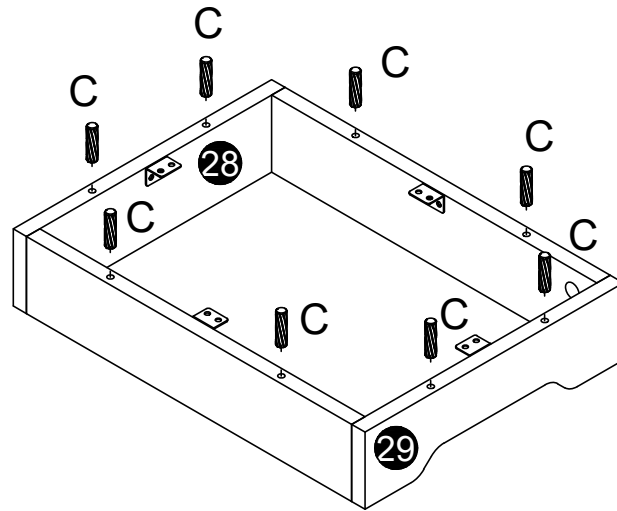
B x8

D x8



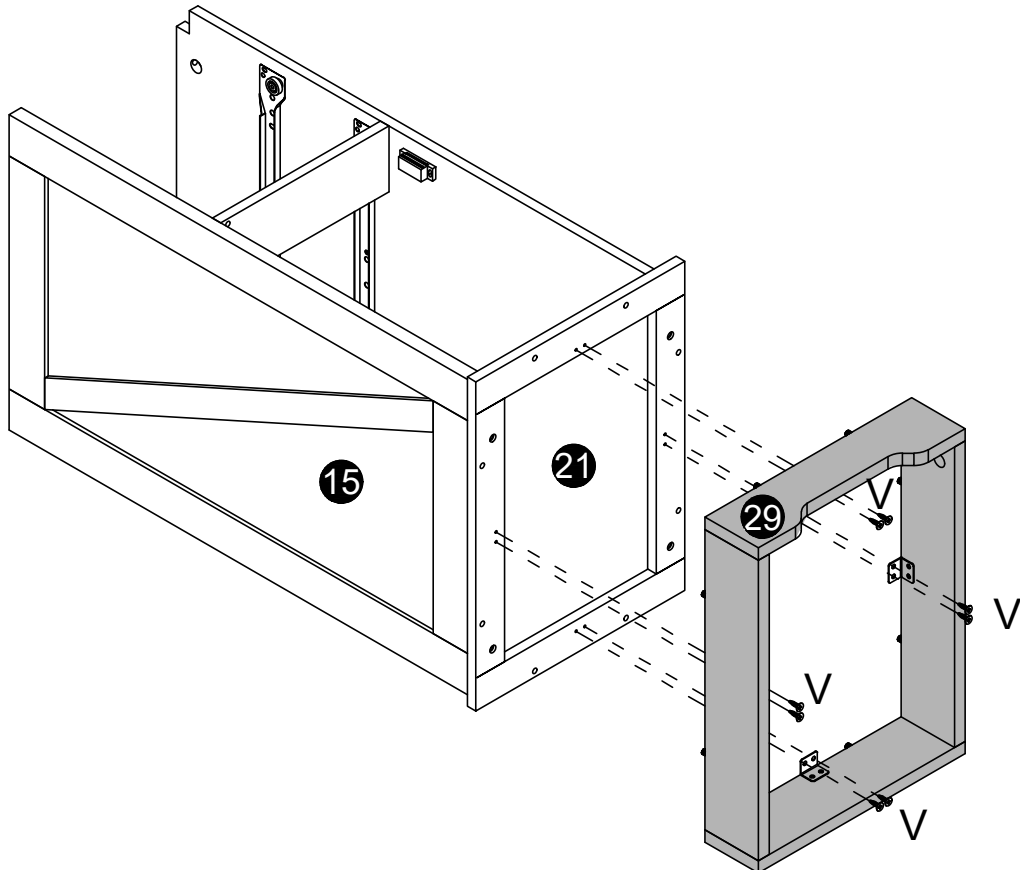
x2

C x16

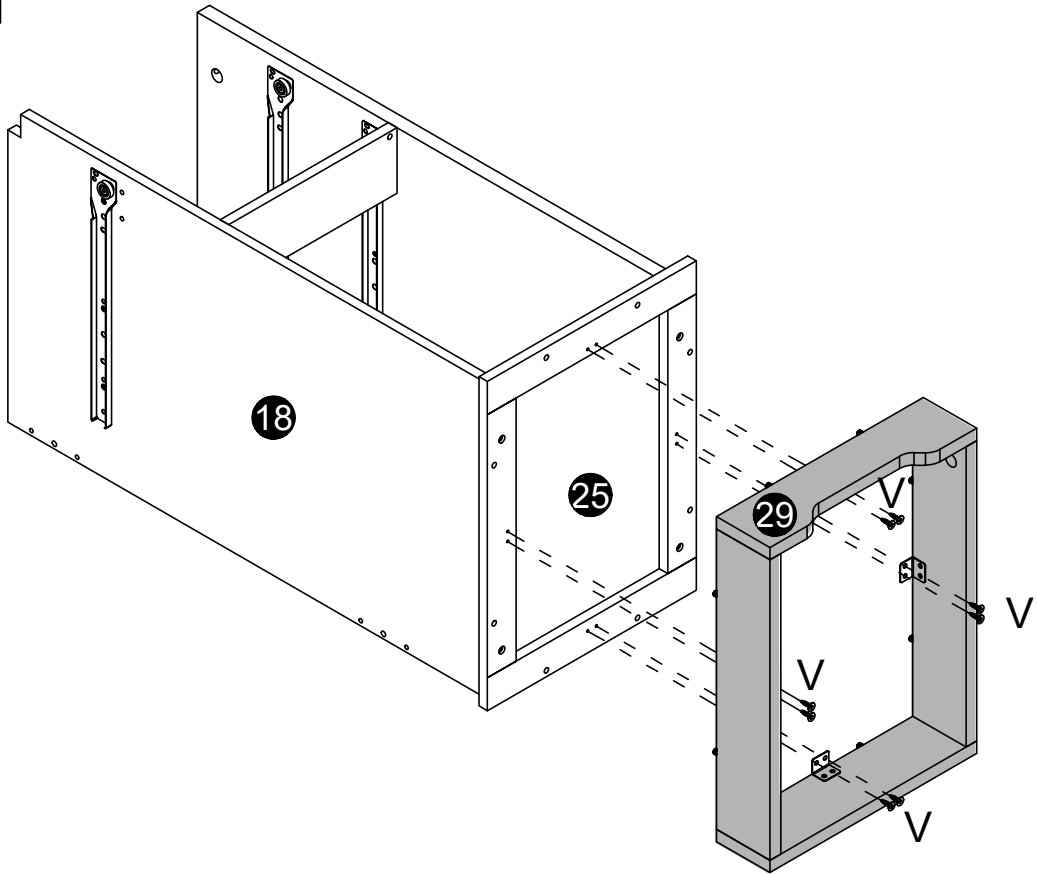


x2

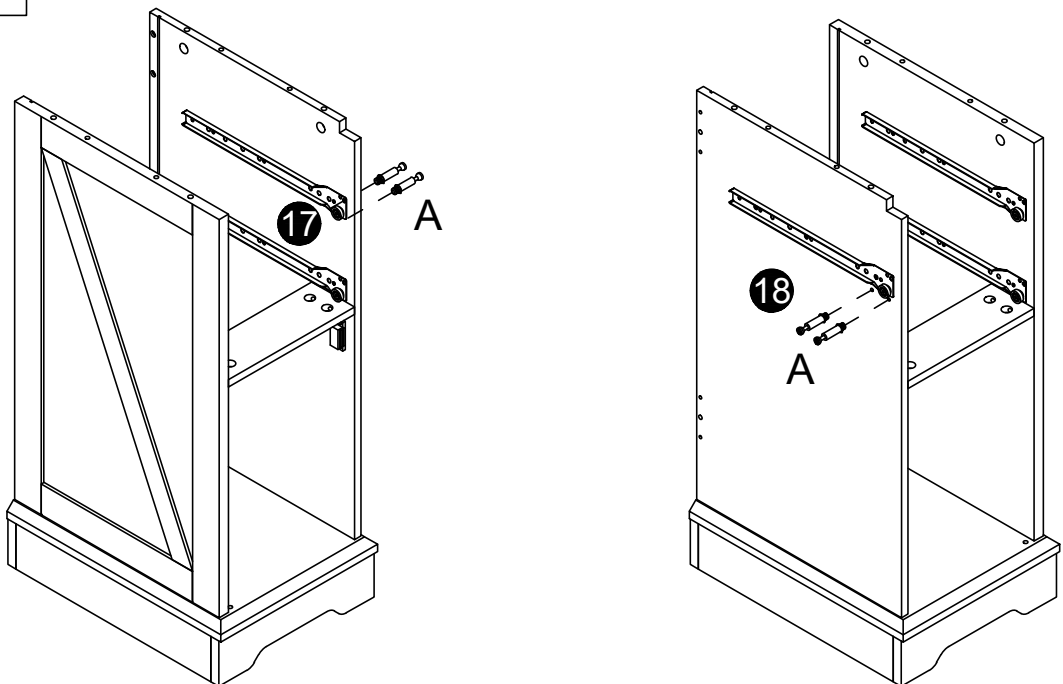
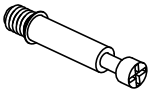
V x8



V x8



A x4

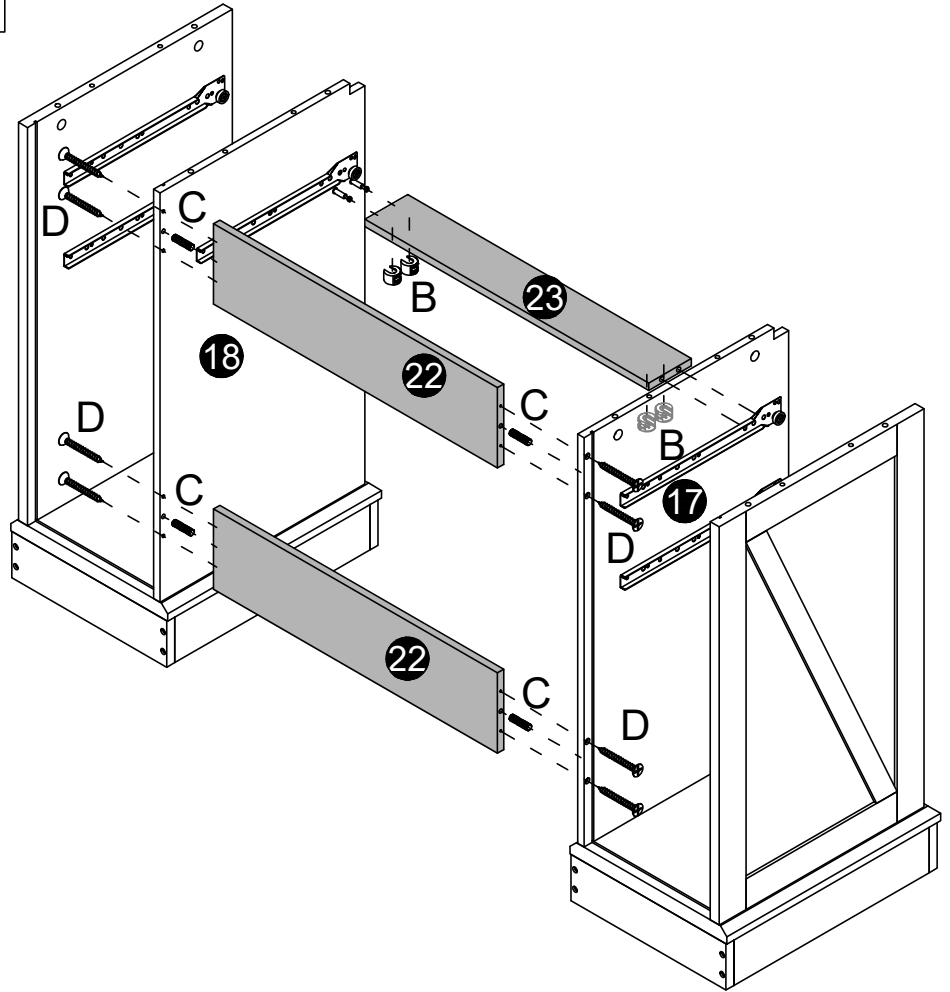
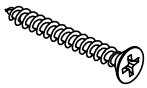


B x4

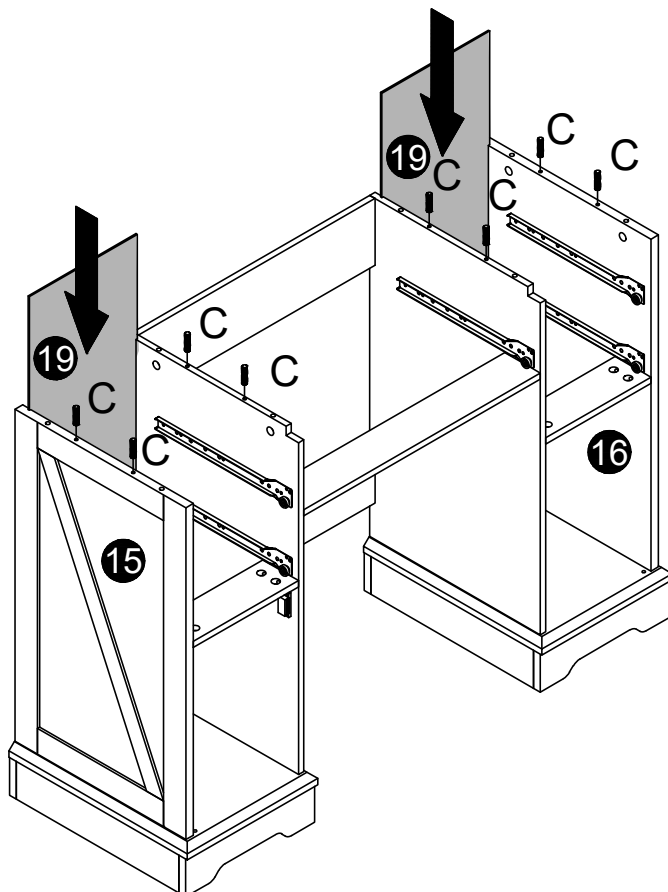
C x4



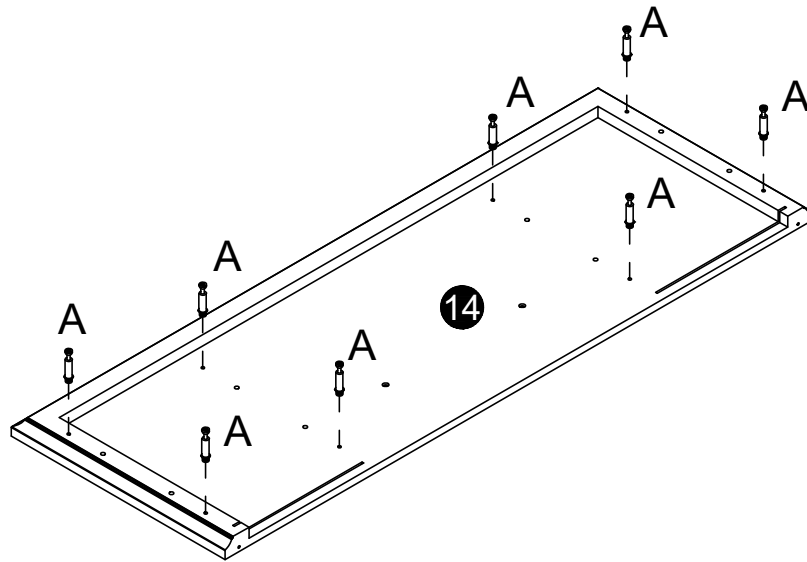
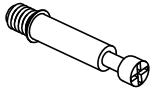
D x8



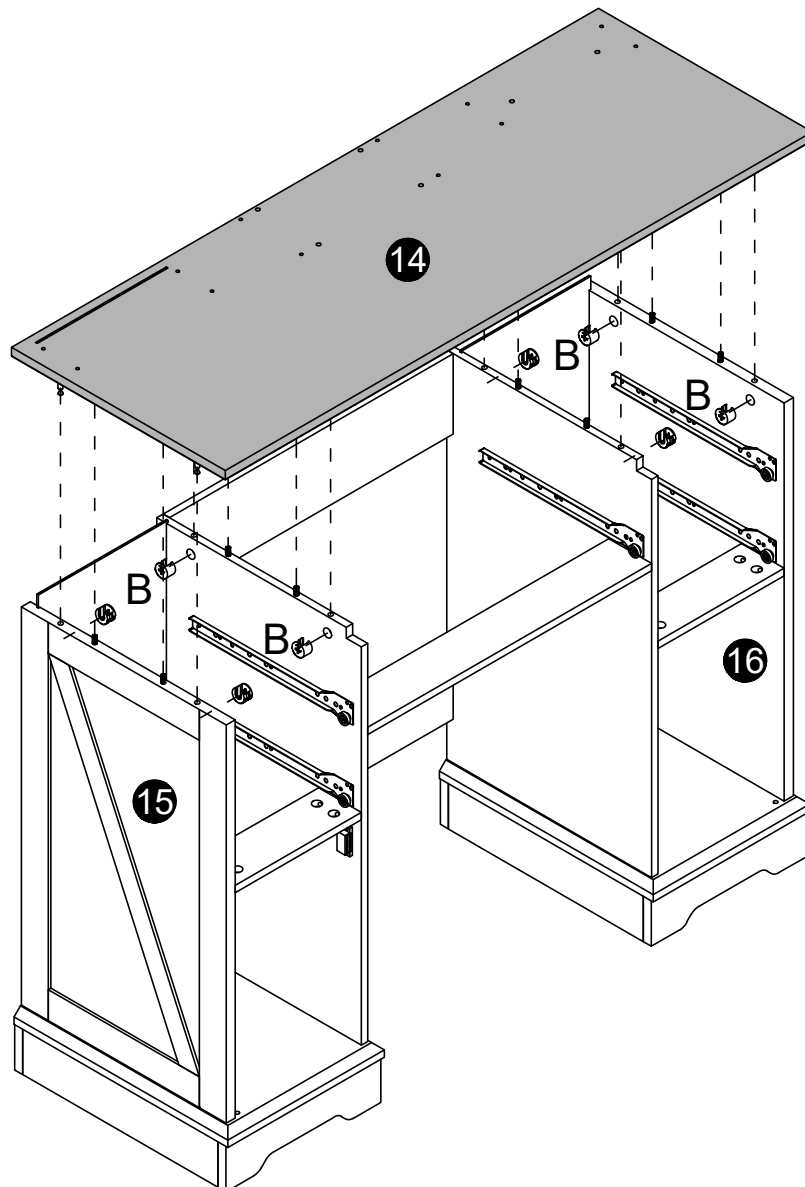
C x8



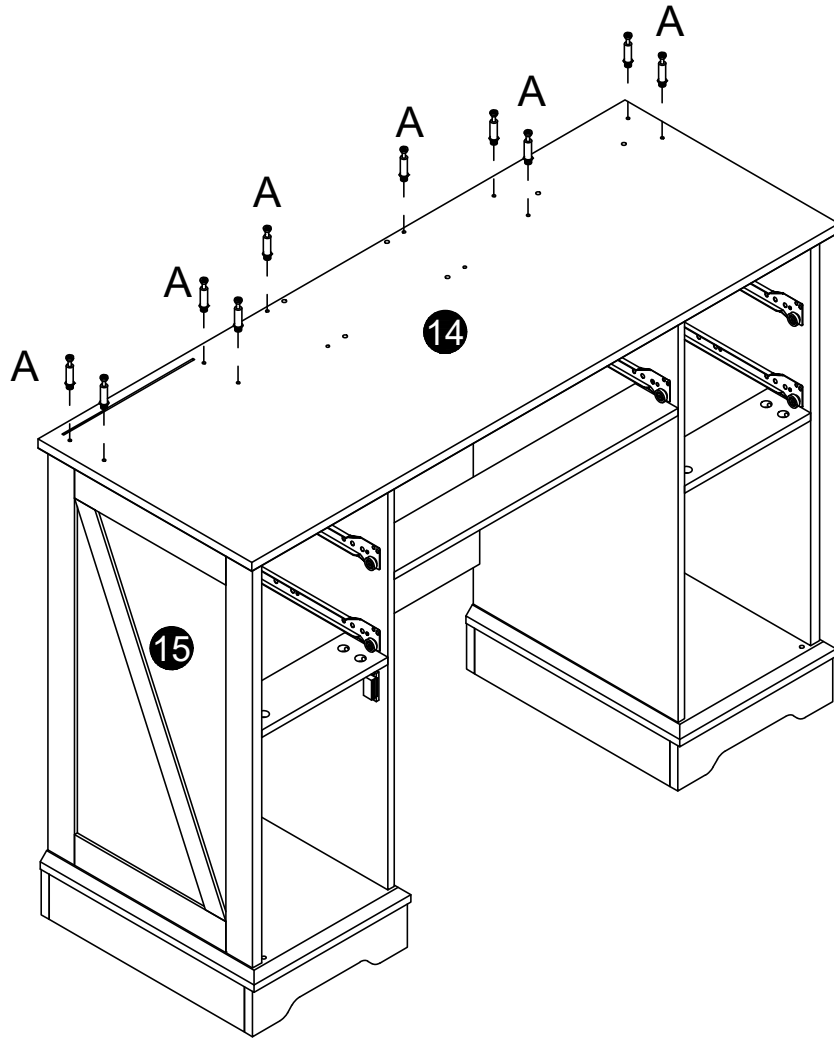
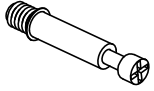
A x8



B x8



A x10



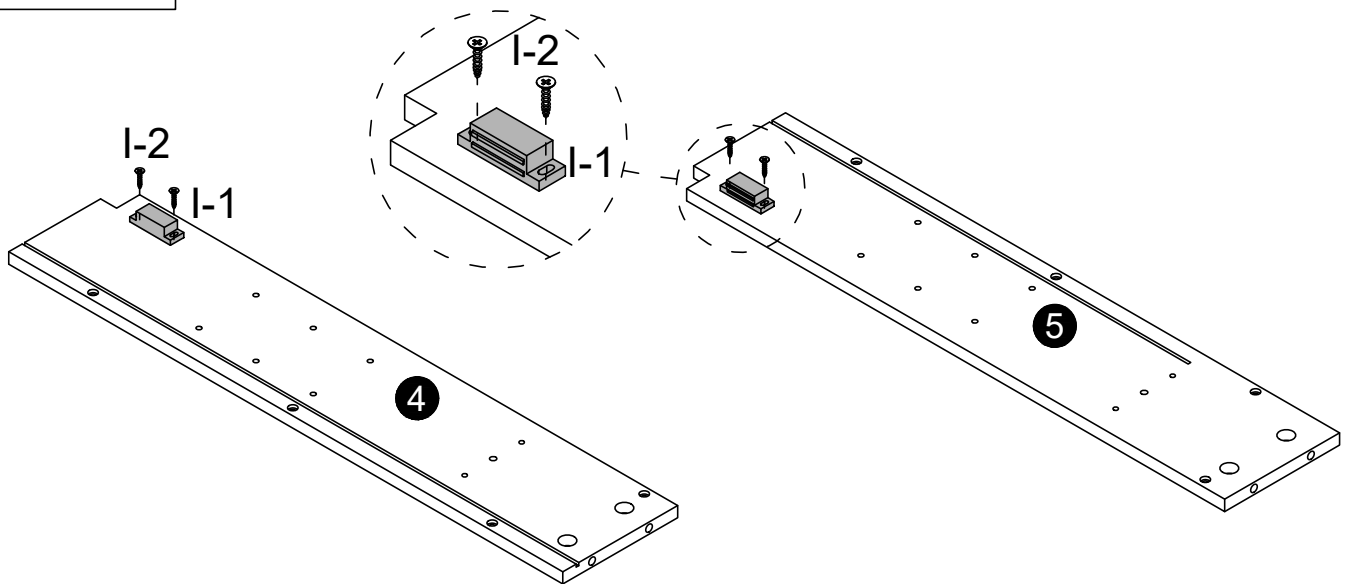
I x2



I-1

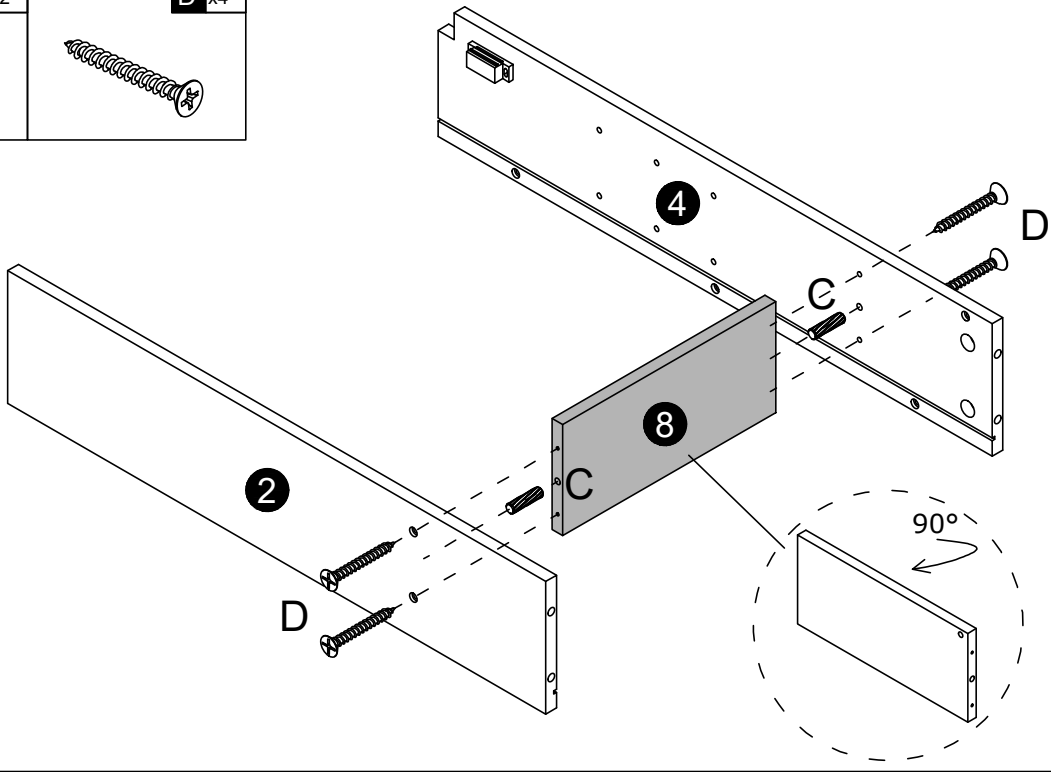
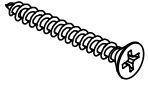


I-2



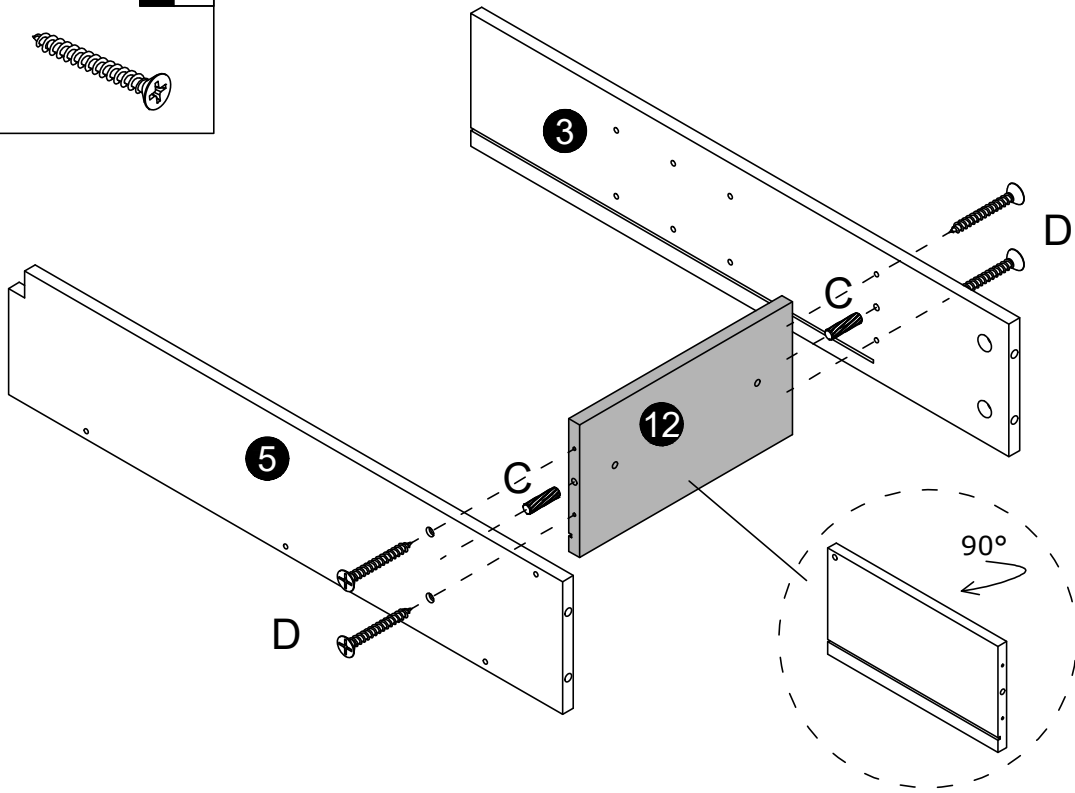
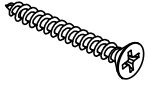
C x2

D x4

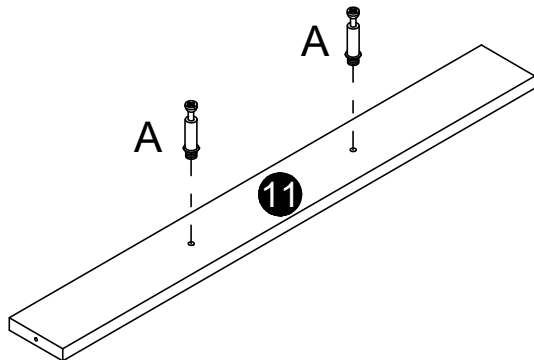
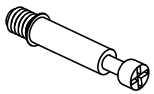


C x2

D x4

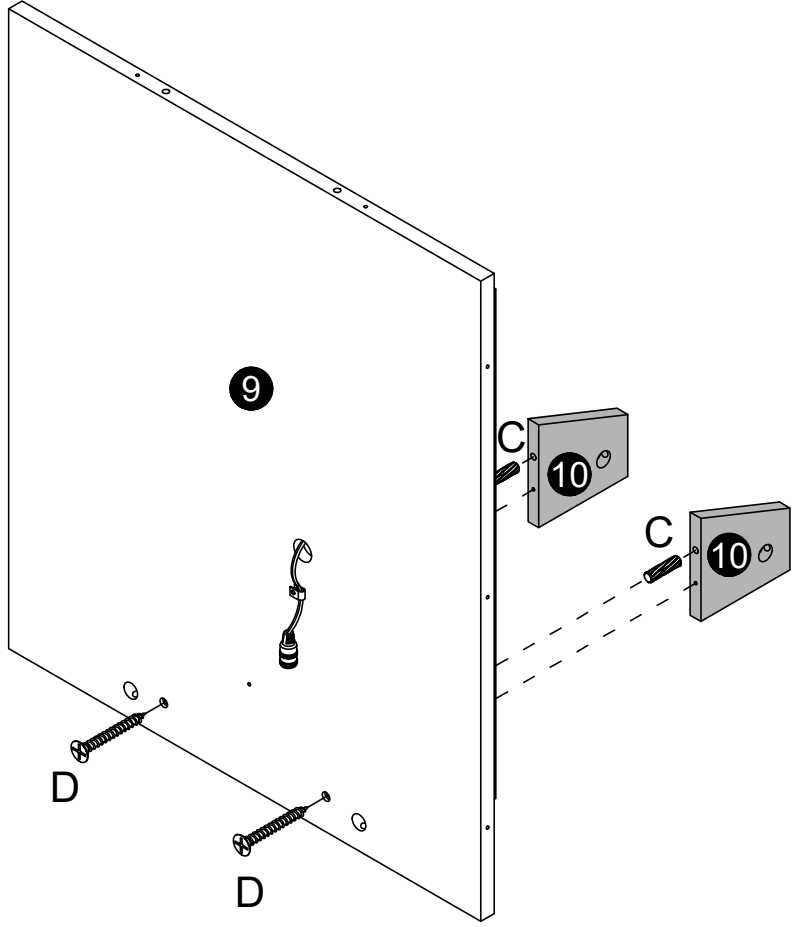
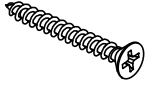


A x2

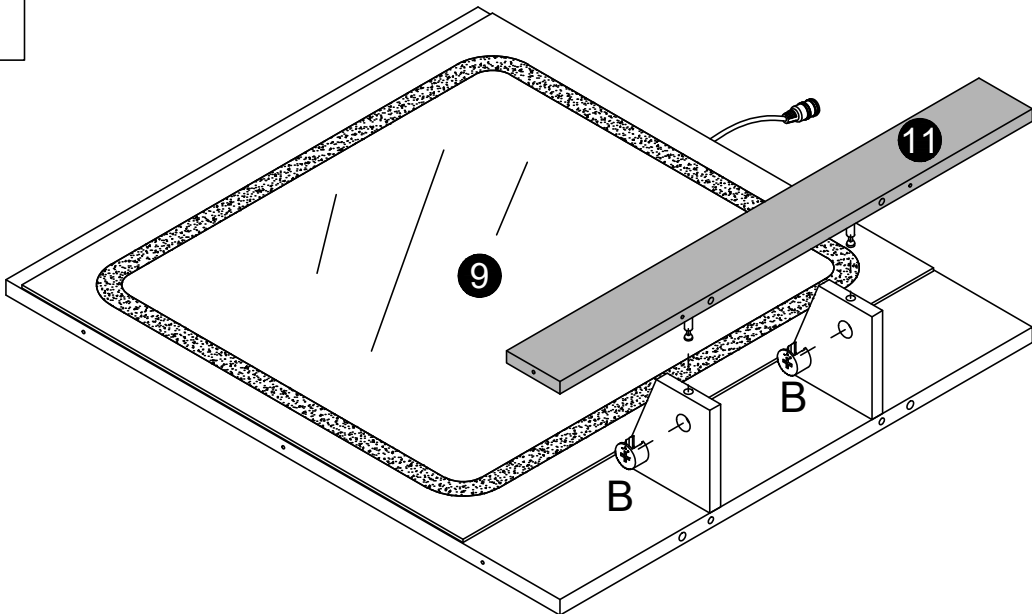


C x2

D x2

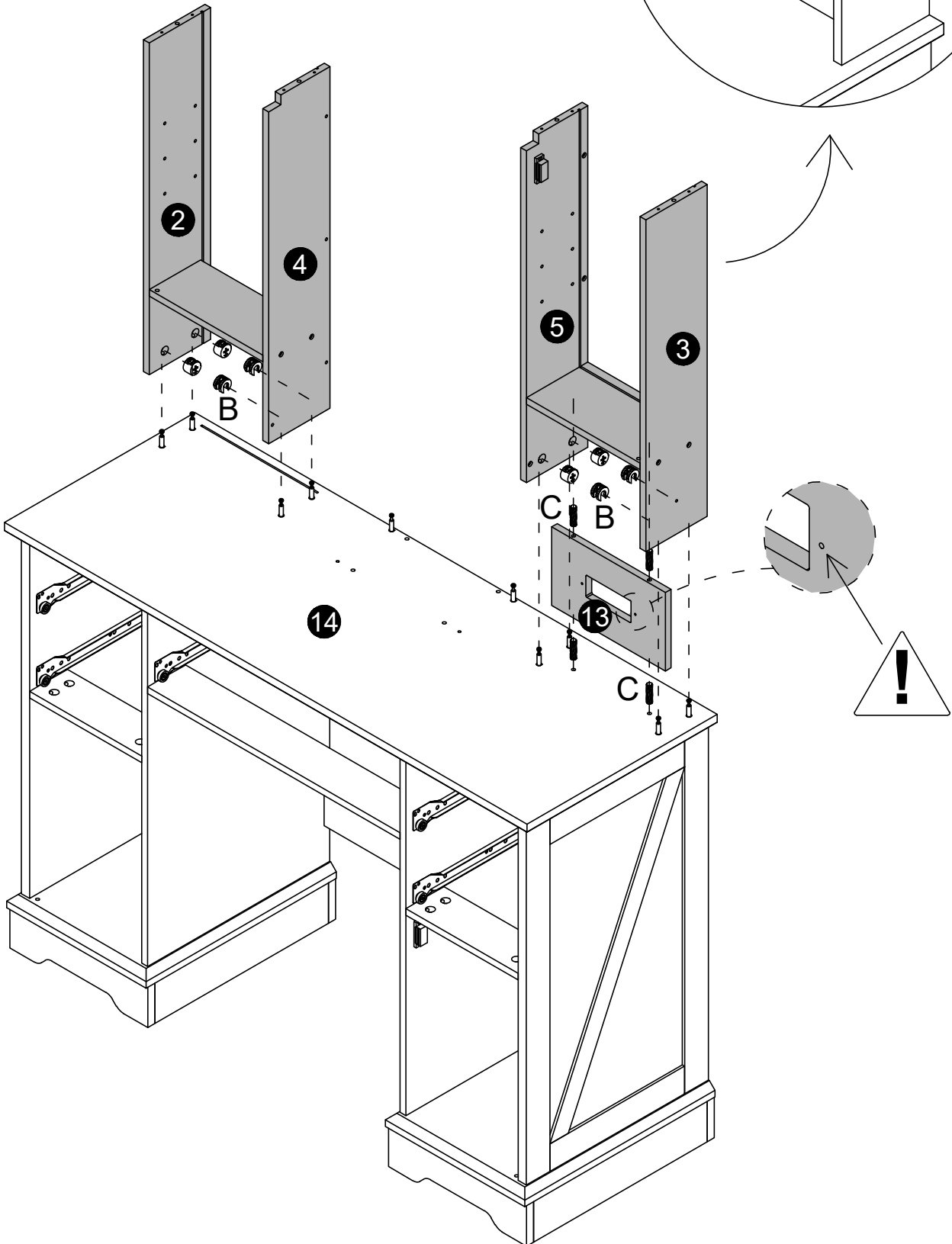
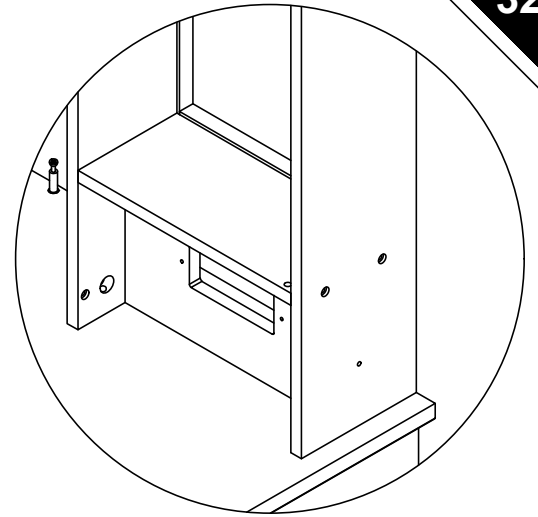


B x2



B x8

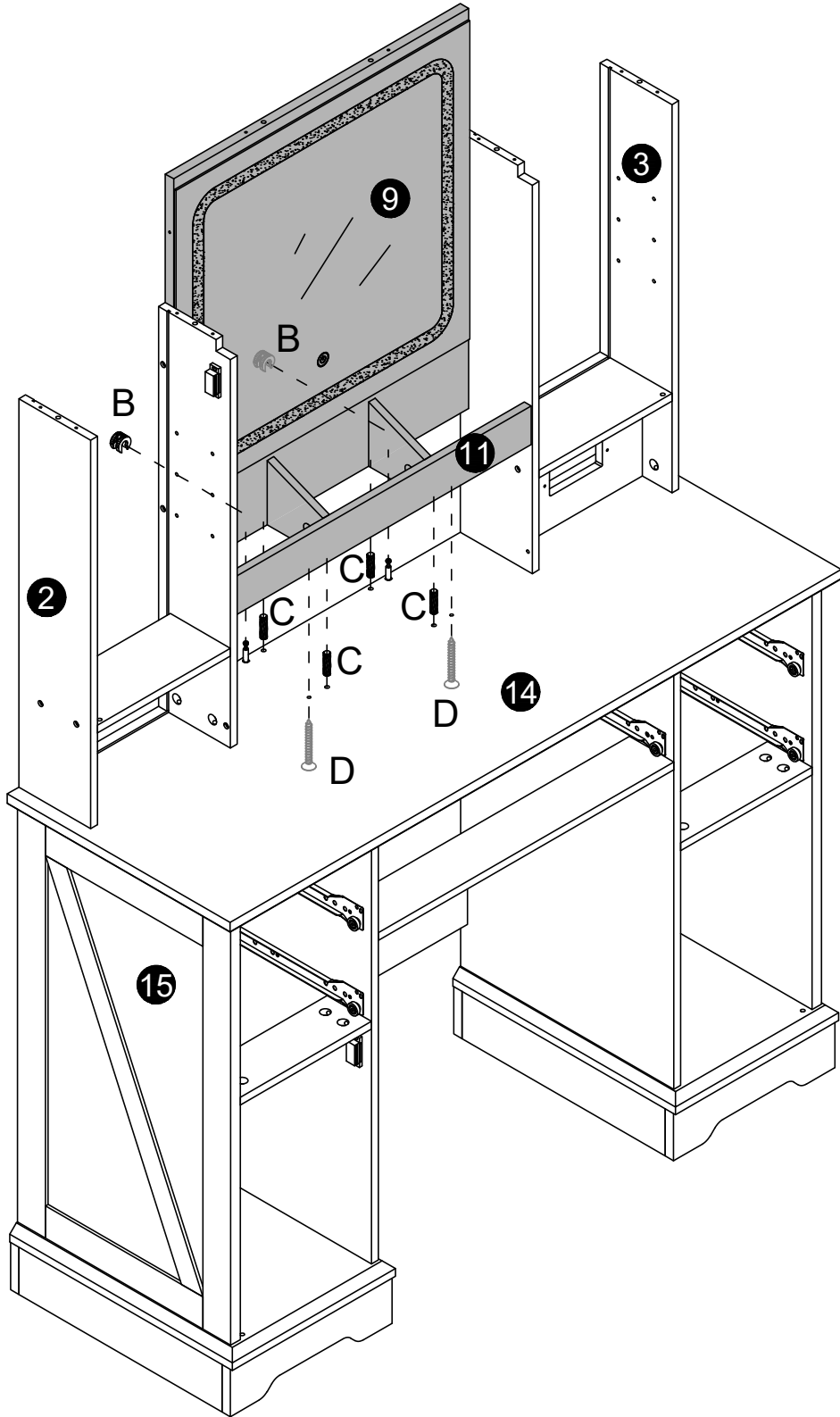
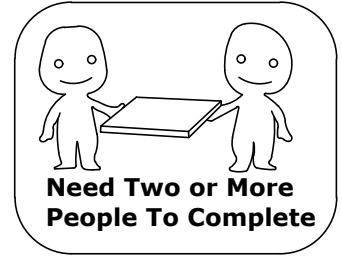
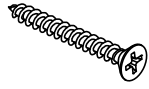
C x4

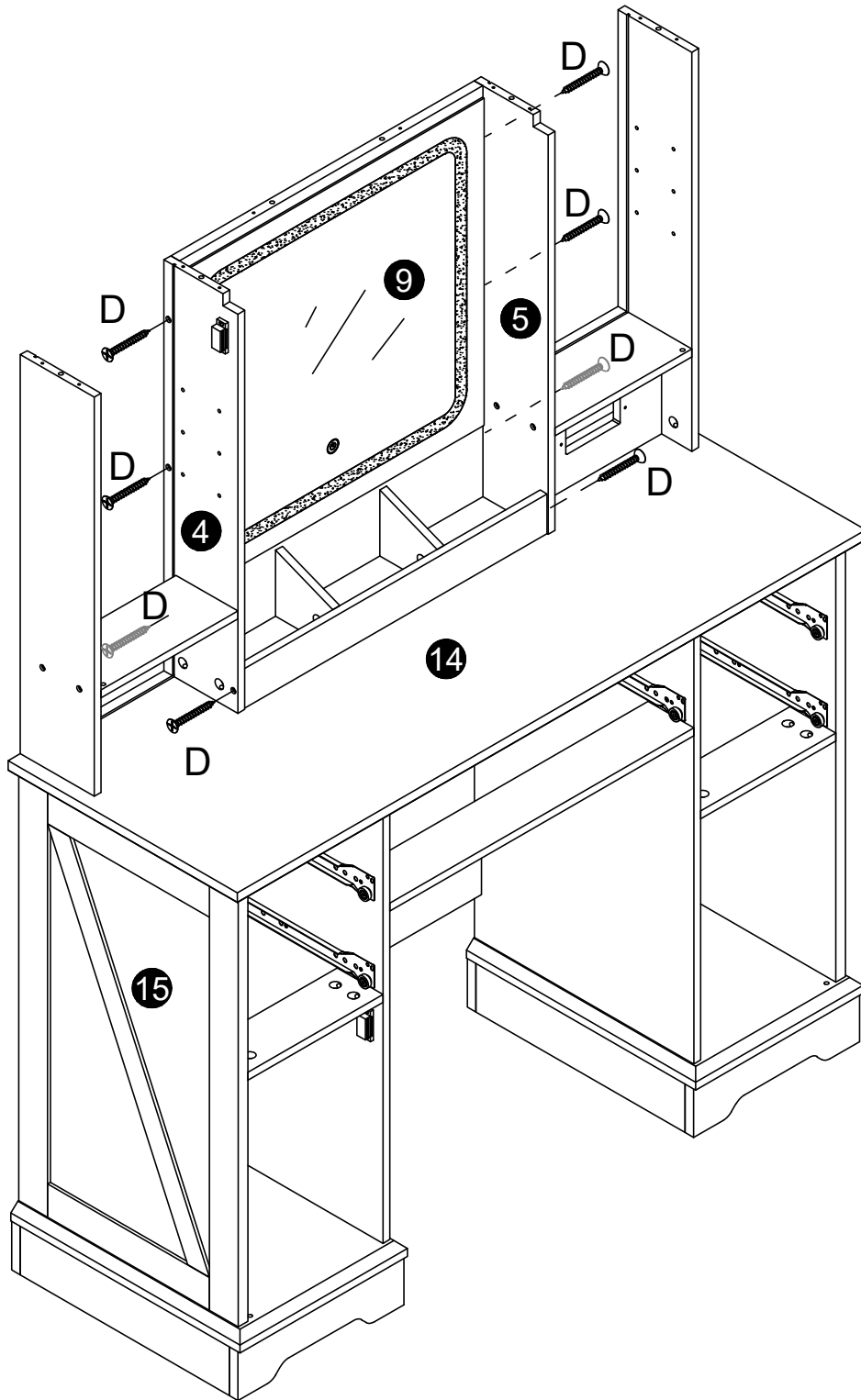
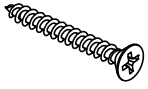


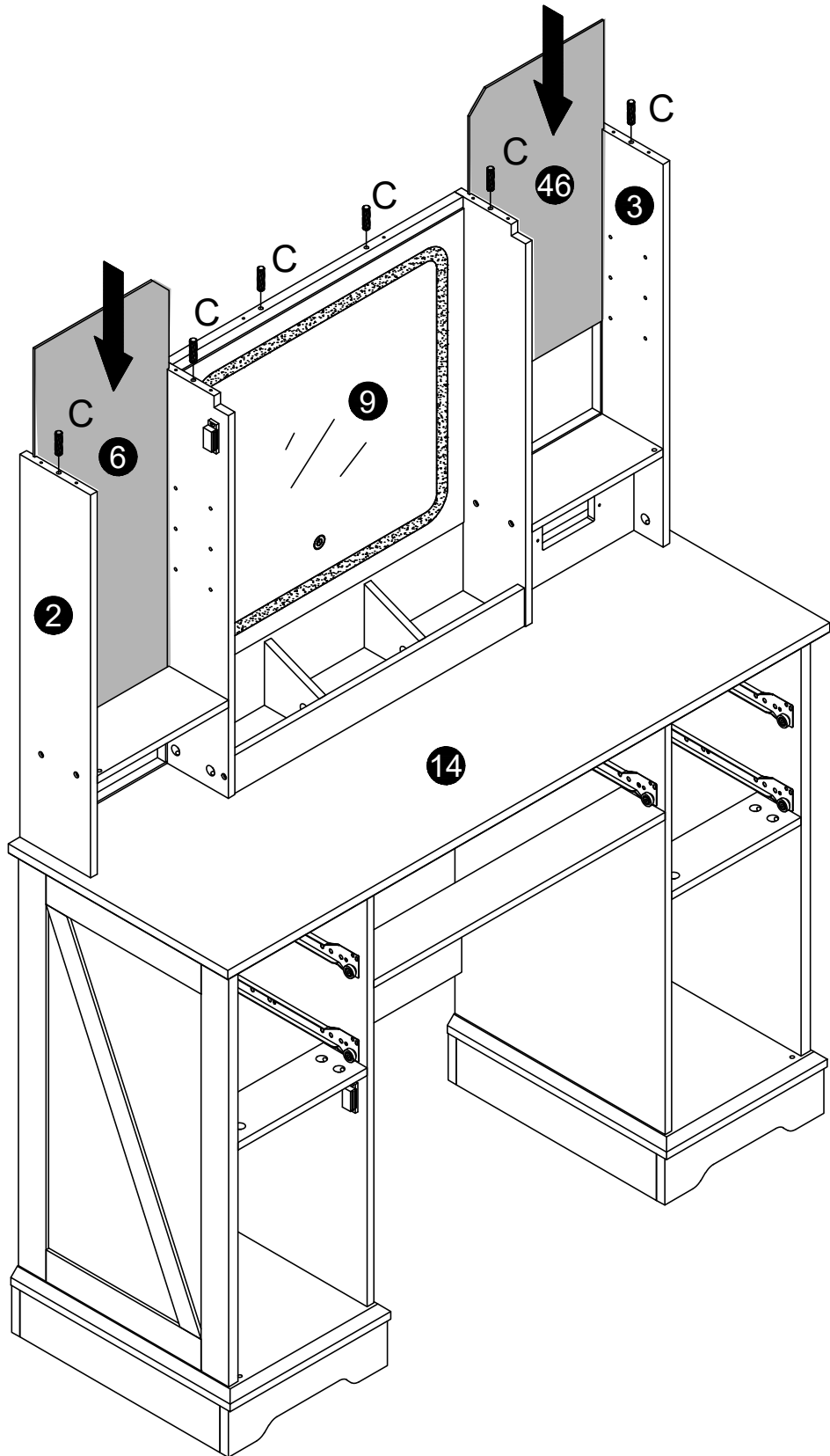
B x2

C x4

D x2

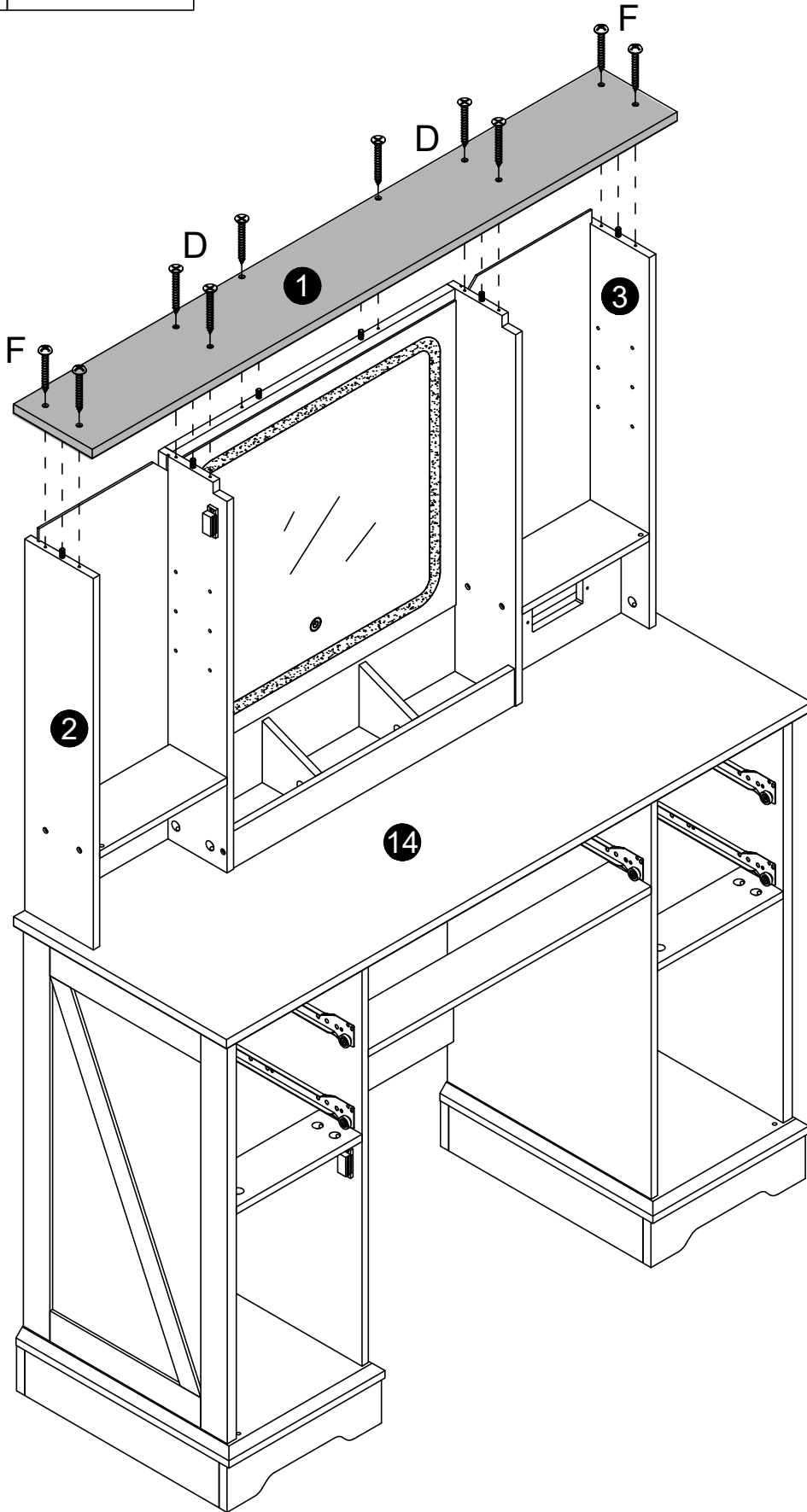
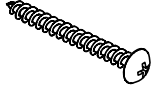
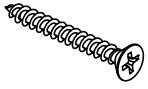






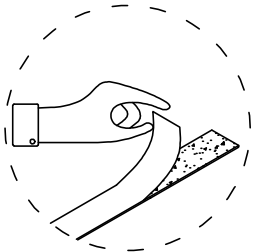
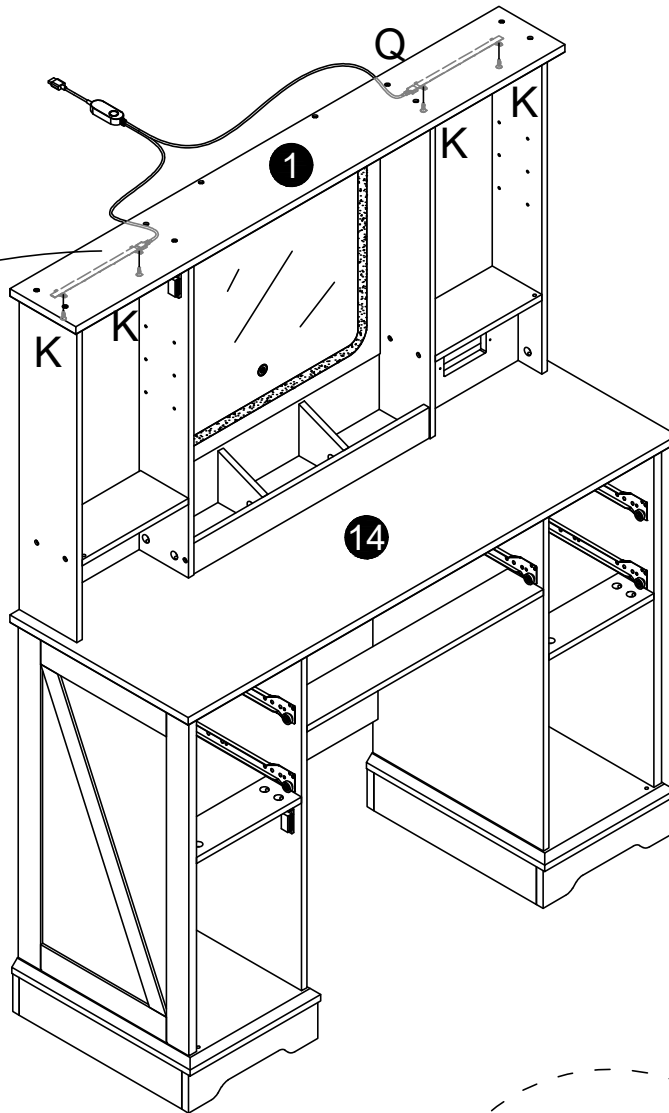
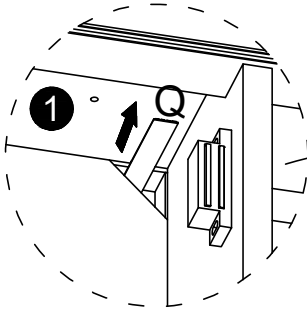
D x6

F x4

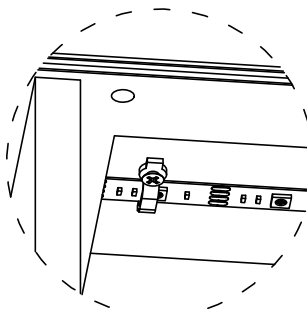
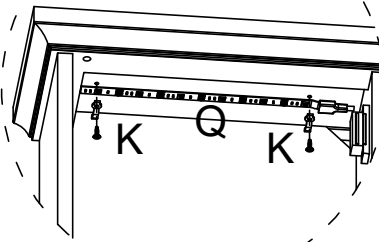
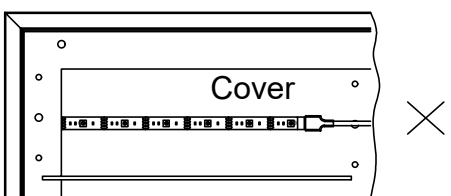
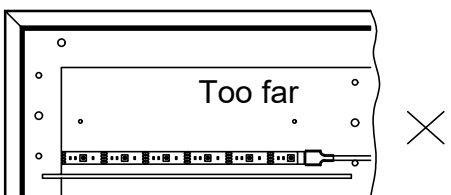
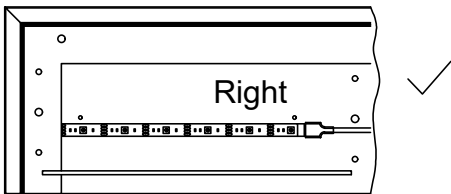


K x4

Q x1



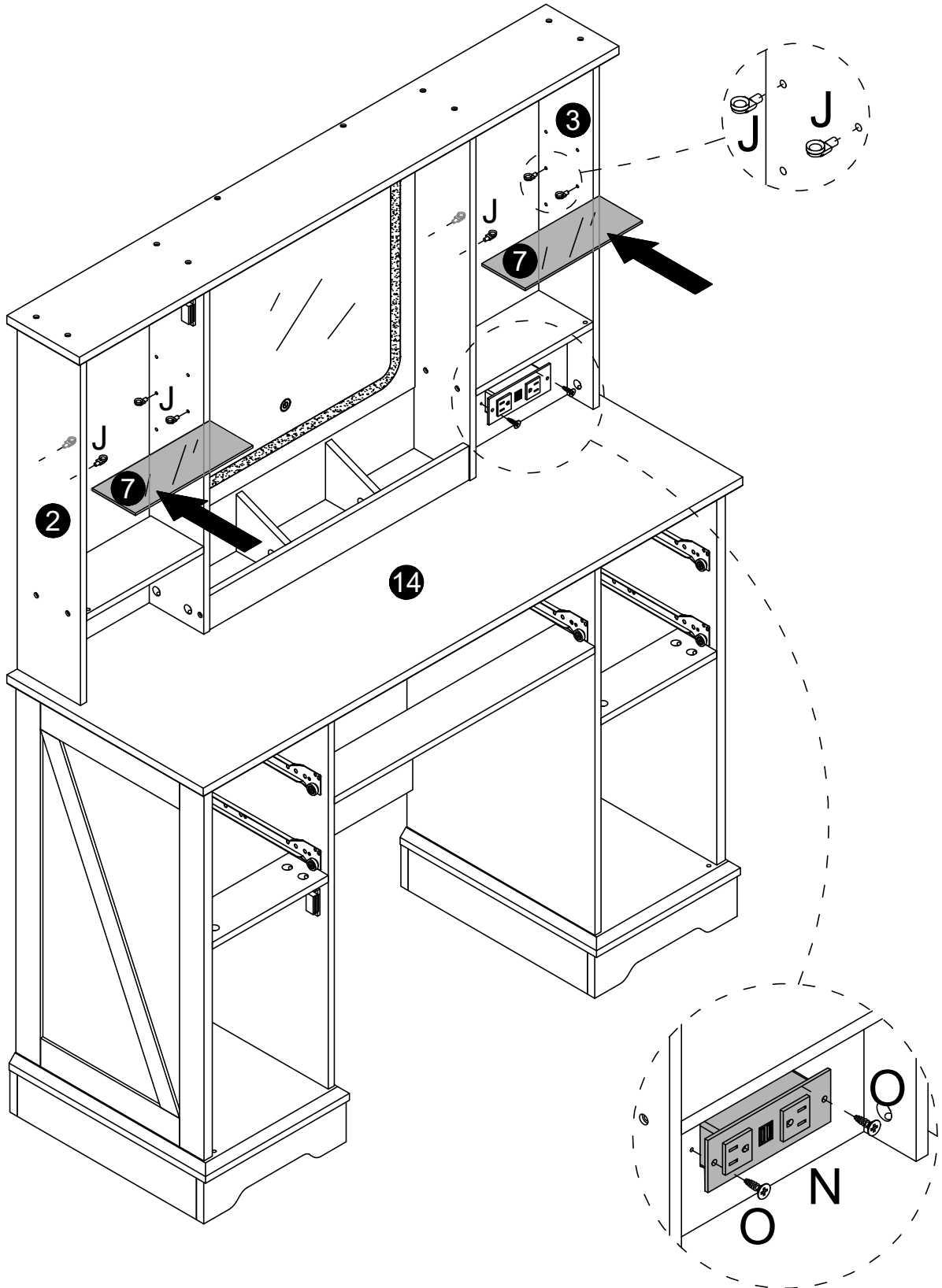
Glue the correct position






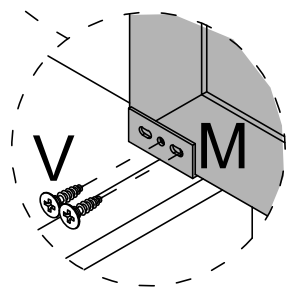
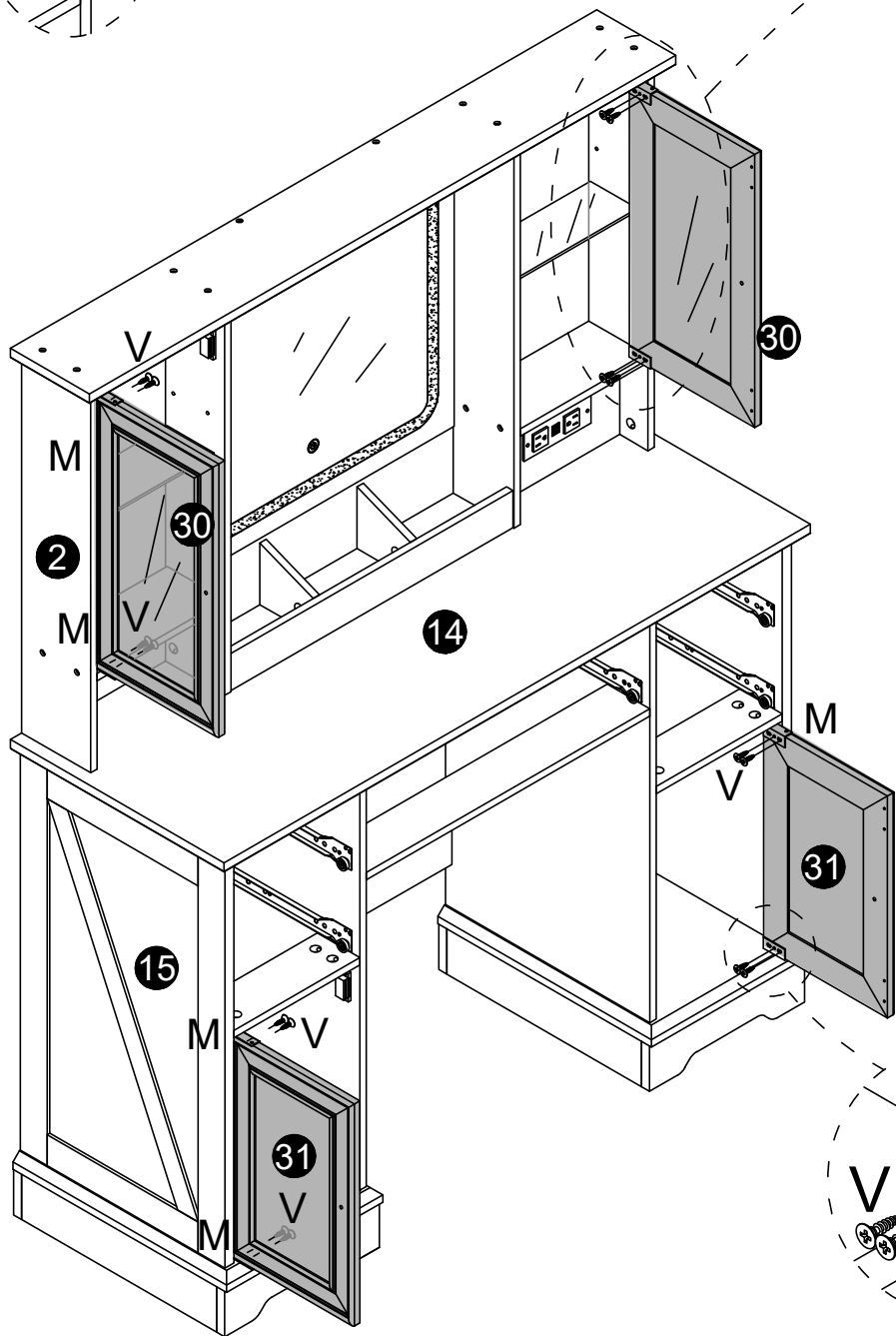
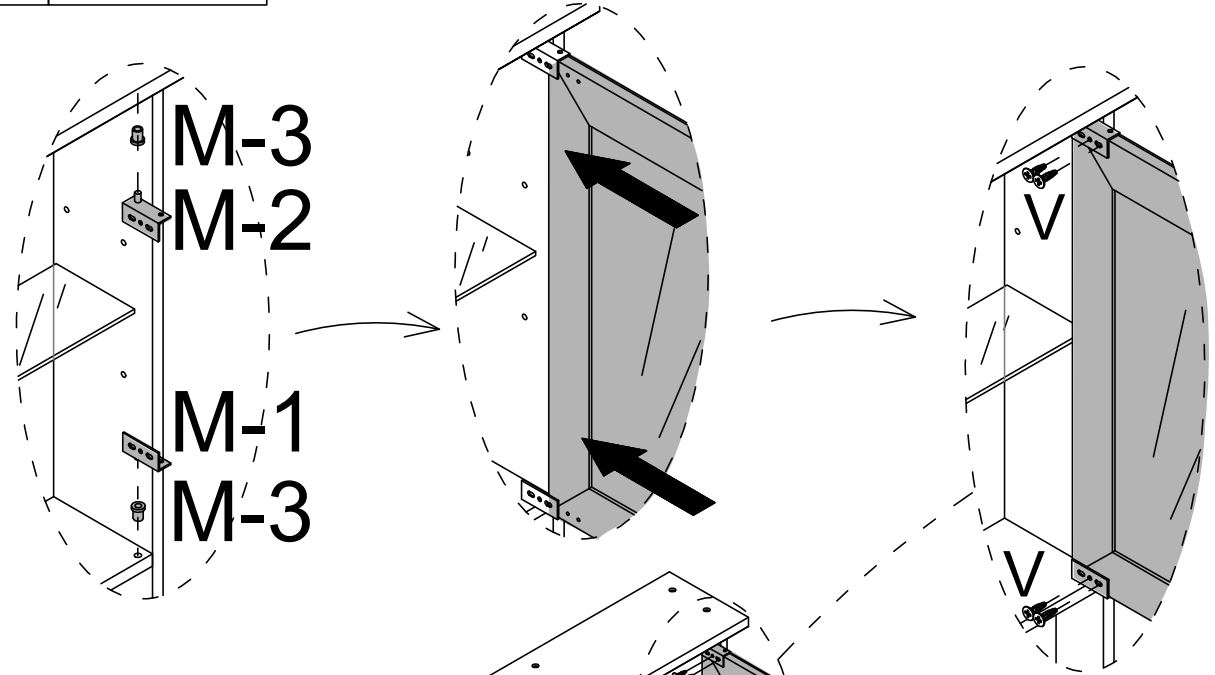
J x8

N x1

O x2



 M-1 M-2	 M-3	 V x16
---	--	--

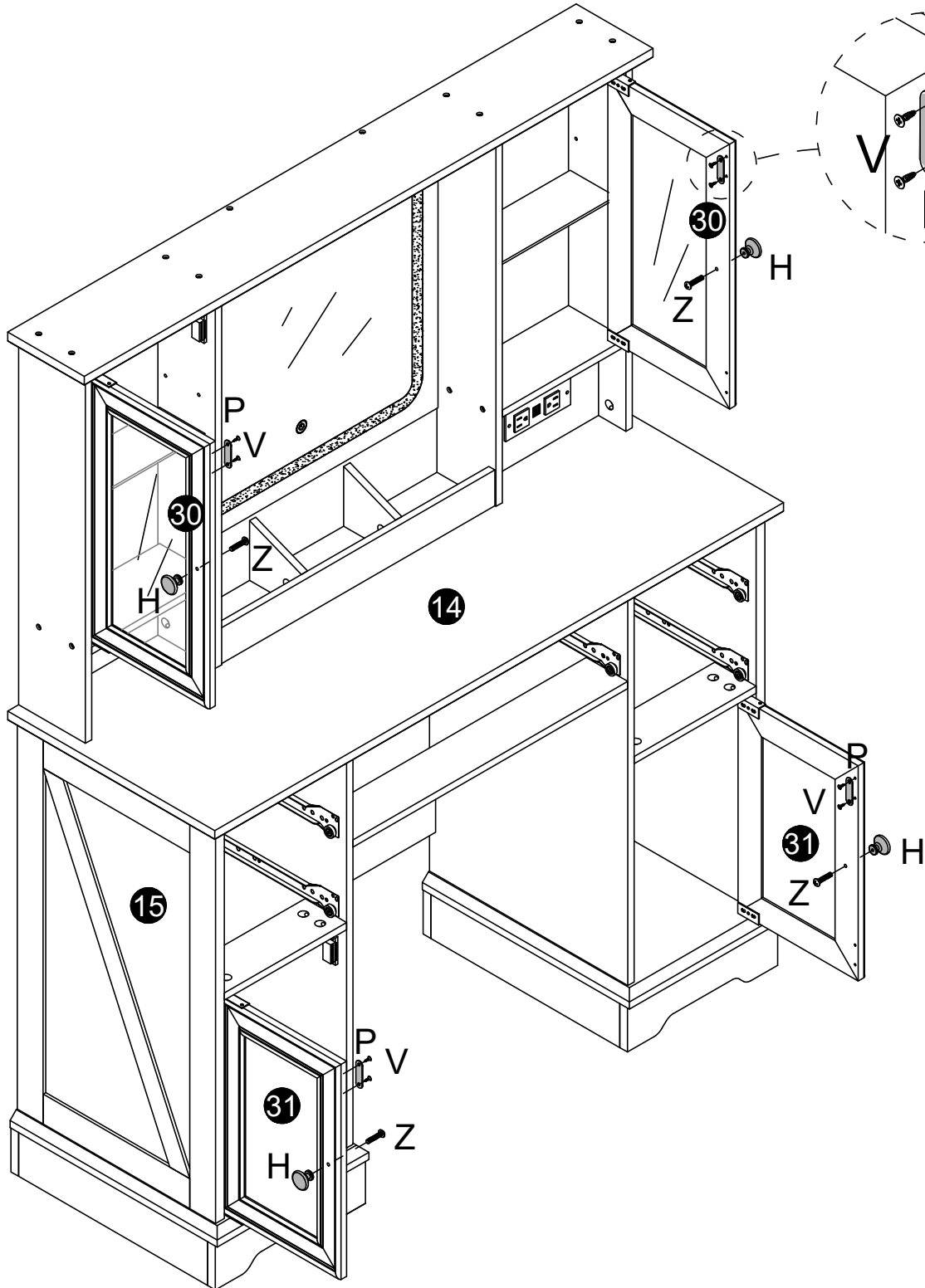


H x4

P x4

V x8

Z x4



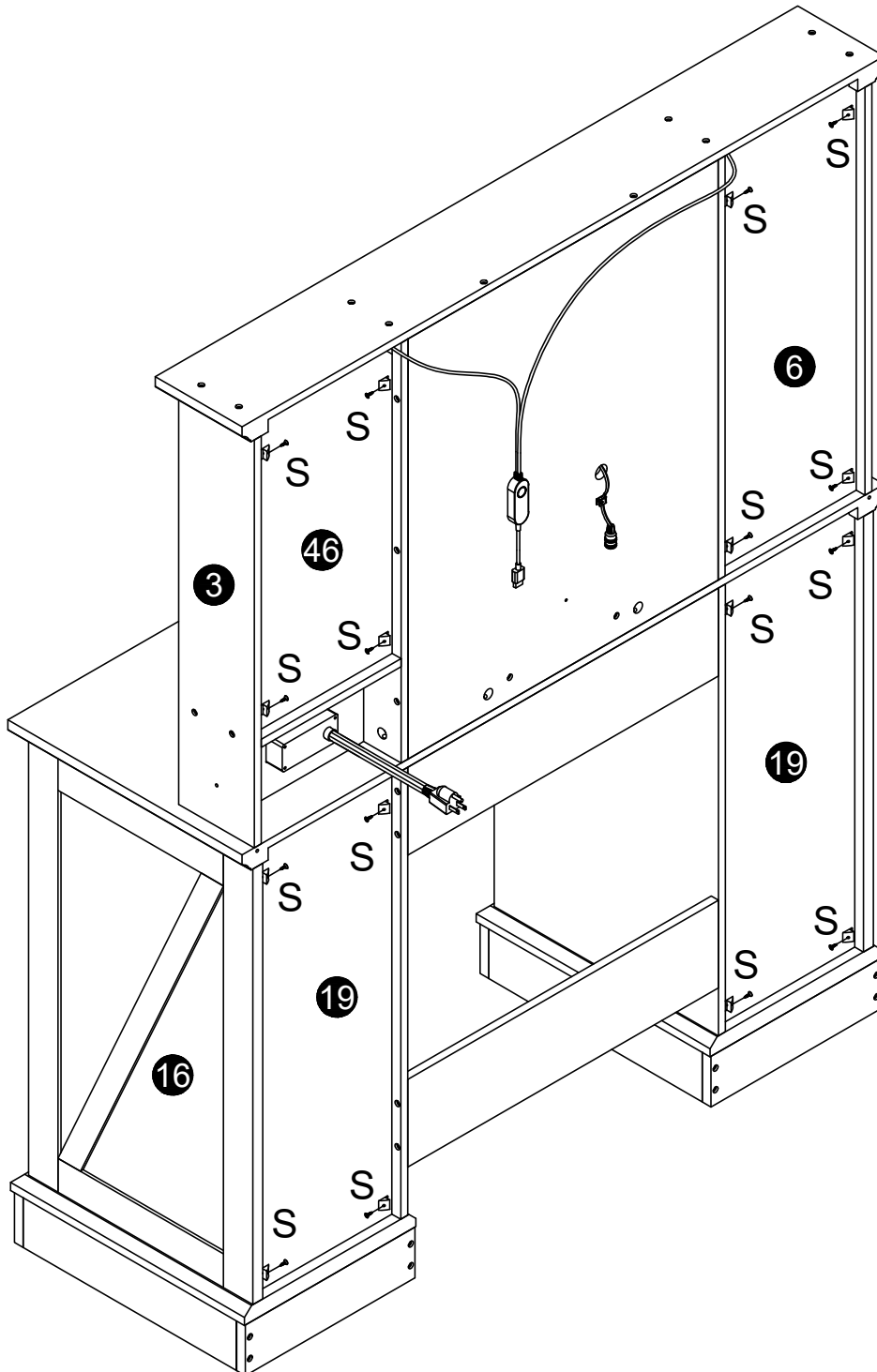
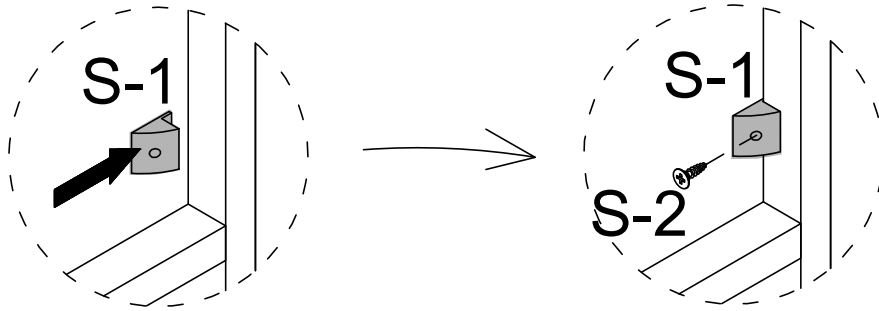
S x16



S-1

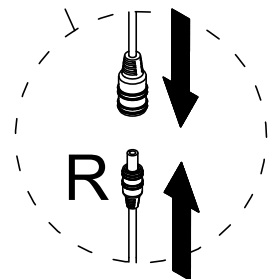
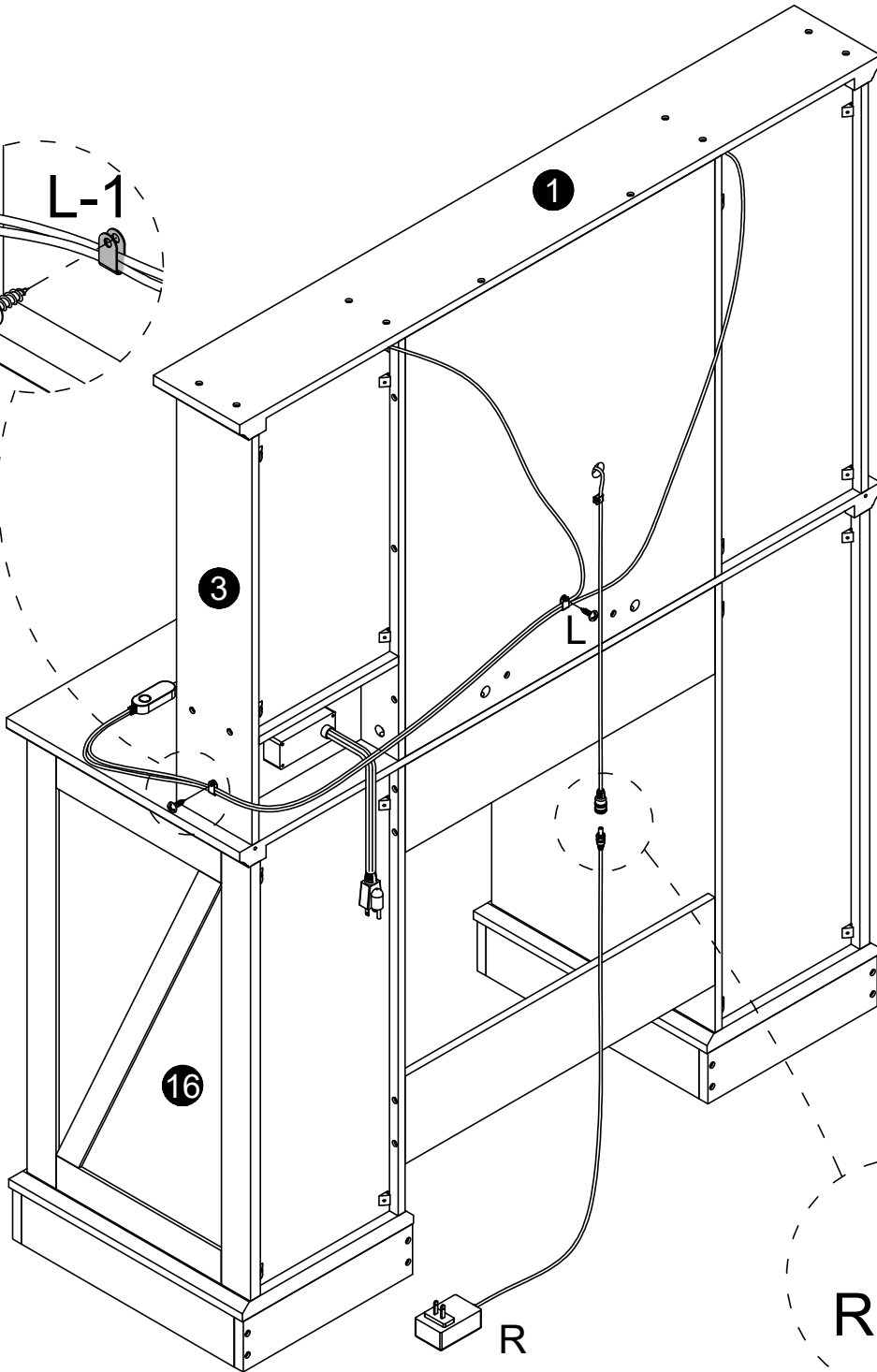
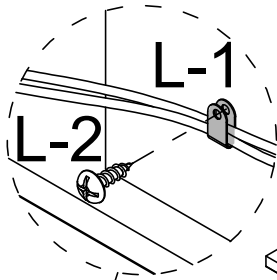
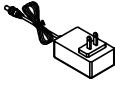


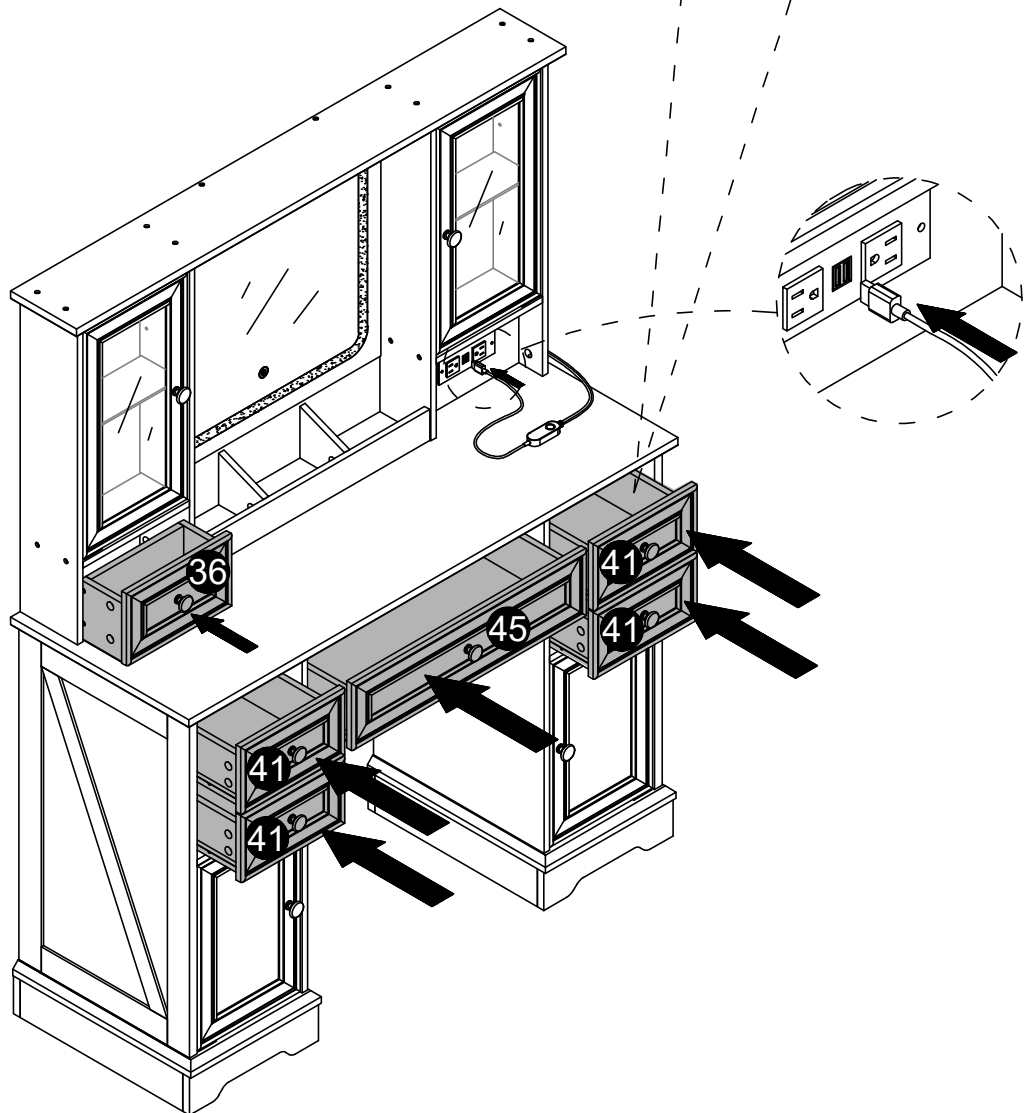
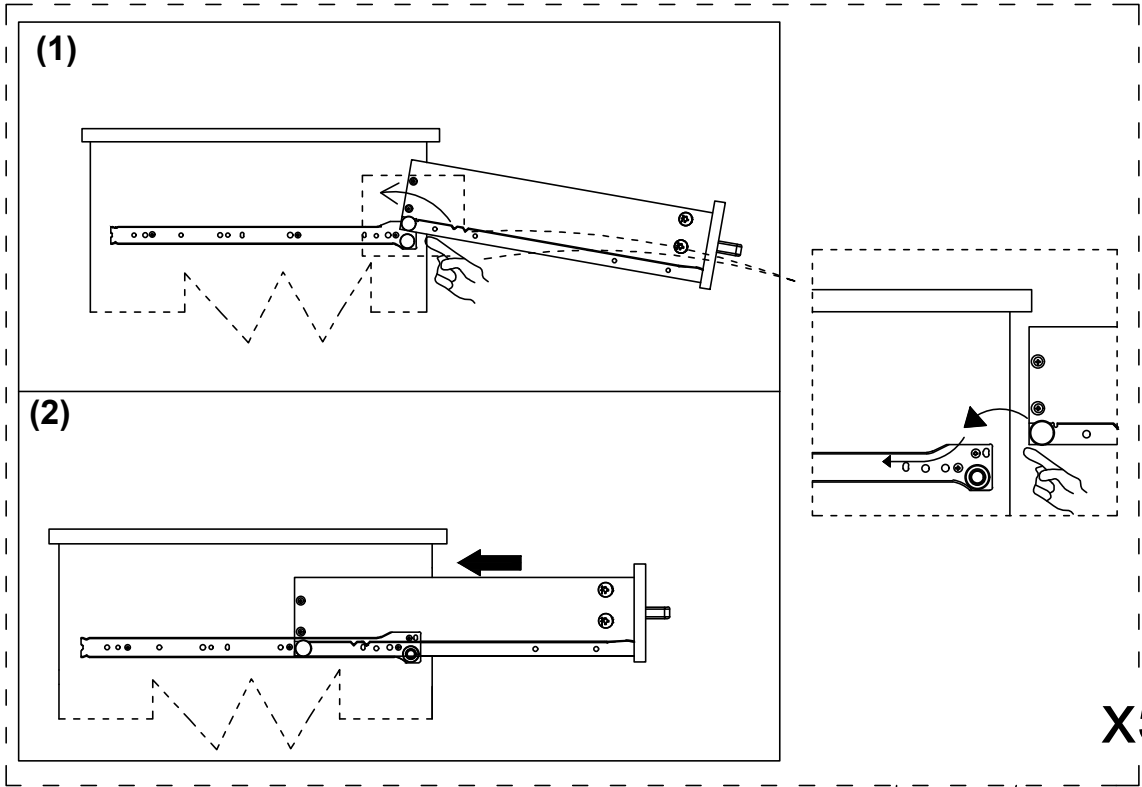
S-2



L x2

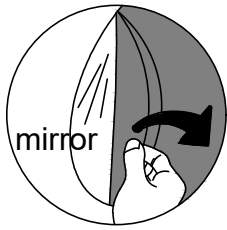
R x1



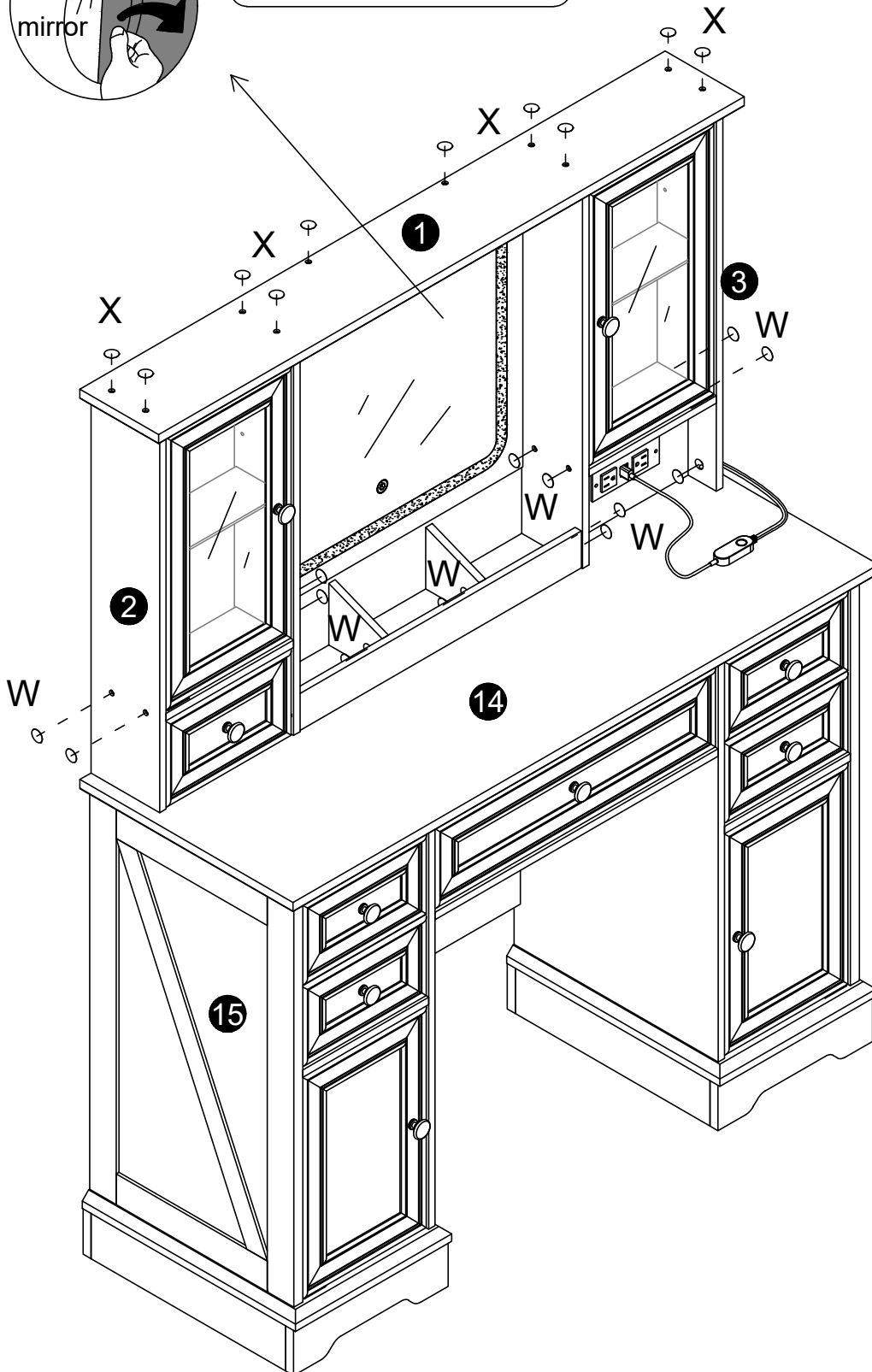


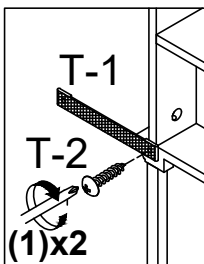
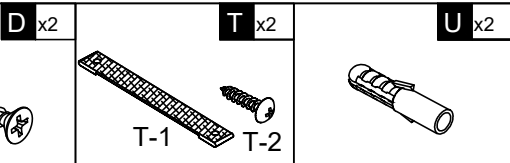
W x13

X x10

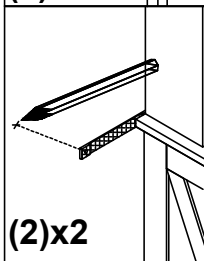


Please tear off the film on the outside of the mirror.

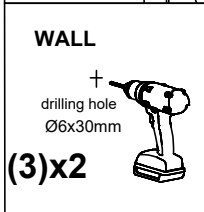




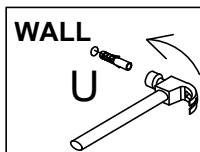
First fix the anti-rewind screw in the reserved hole of the product.



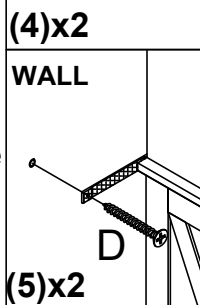
then, use a ruler to measure the approximate height of the product on the wall, and then mark it with pen.



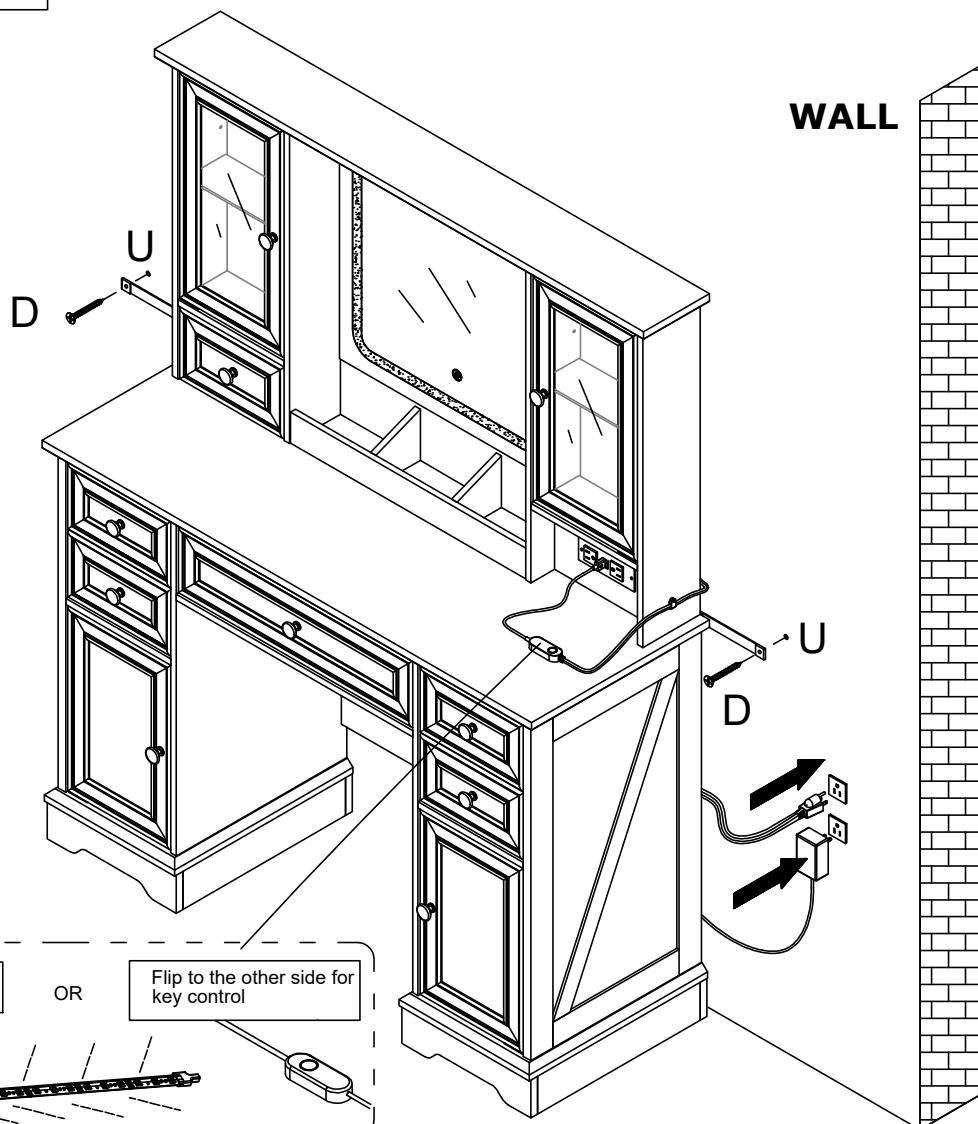
Then use a tape drill to make holes in the wall that are suitable for the product screws.



Then, put the expansion bolt into the hole



Finally, pass the matching screws through the "anti-rewind" and tighten them to fix them on the wall.



Scan qr code to download APP Bluetooth control

OR

Flip to the other side for key control

