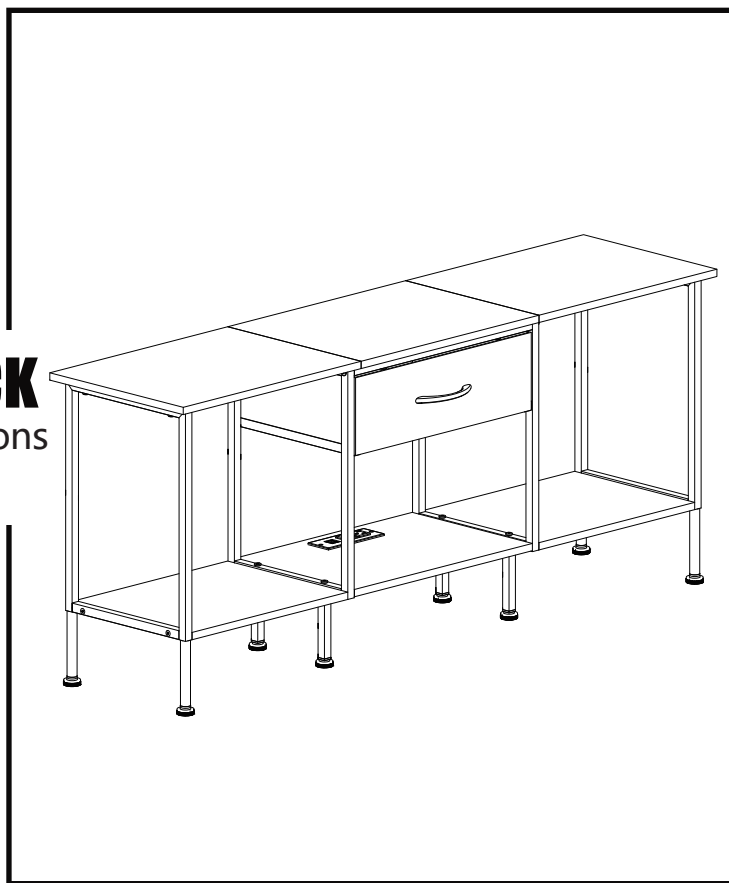


STORAGE RACK

Installation instructions

SKU:TVS018

V.CK.250512



Focus on healthy and joyful life

NOTES

ENGLISH

- Please adhere strictly to the assembly instructions and use the product only for its intended purpose.
- Before assembling, inspect the product for any defects or missing components. Should you find any issues or omissions, refrain from using the product as it could lead to damage or injury. Contact us for support and replacements.

FRANÇAIS

- Veuillez suivre les instructions de montage avec précision et utiliser le produit uniquement comme prévu.
- Avant l'assemblage, vérifiez le produit pour détecter tout défaut ou accessoire manquant. Si des défauts sont découverts ou s'il manque des accessoires, ne pas utiliser le produit car cela pourrait causer des dommages ou des blessures; veuillez nous contacter pour obtenir de l'aide et procéder à un remplacement.
- **Lors de l'assemblage, veuillez serrer les vis à 70%, puis les serrer complètement.**
- Assemblez l'article sur une surface douce, plate et propre pour éviter les rayures et les dommages
- Il est recommandé que deux personnes assemblent ce produit.

ESPAÑOL

- Por favor, siga las instrucciones de montaje con precisión y únicamente utilice el producto según su finalidad prevista.
- Antes de proceder al montaje, revise cuidadosamente el producto en busca de cualquier defecto o falta de componentes. En caso de detectar defectos o ausencia de componentes, absténgase de utilizar el producto, ya que esto podría resultar en daños o lesiones. Le solicitamos que se ponga en contacto con nosotros para recibir asistencia y los reemplazos necesarios.
- **Durante el proceso de montaje, es recomendable apretar los tornillos al 70% de su capacidad y posteriormente asegurarlos completamente.**
- Asegúrese de montar el artículo sobre una superficie plana, suave y limpia para evitar cualquier riesgo de arañazos o daños.
- Se aconseja que el ensamblaje de este producto sea realizado por dos personas.

WARNINGS

ENGLISH

- Keep components and packaging materials out of reach from children and pets to avoid the risk of injury and choking hazards.
- To maintain the product's integrity, avoid exposure to sharp objects and corrosive chemicals.
- Open the item slowly and with caution to prevent pinching your hands with metal joints, especially important for children.

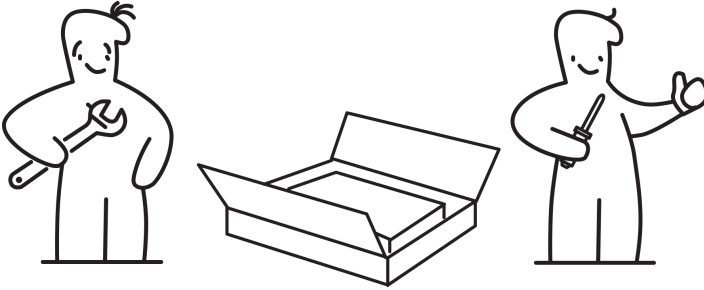
FRANÇAIS

- Pendant l'assemblage, éloignez les pièces et les matériaux d'emballage des enfants et des animaux domestiques, car ils pourraient provoquer des blessures et représentent un risque d'étouffement.
- Évitez les objets pointus ou les produits chimiques corrosifs pour ne pas endommager le produit.
- Veuillez ouvrir l'article lentement et avec prudence pour éviter de vous pincer les mains avec les joints métalliques, surtout pour les enfants.

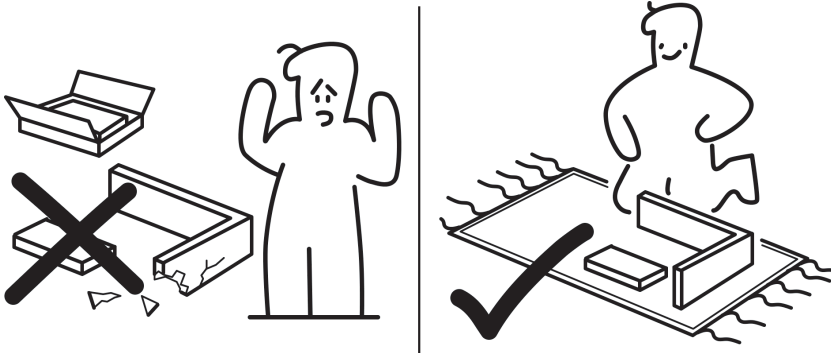
ESPAÑOL

- Mantenga los componentes del producto y los materiales de embalaje fuera del alcance de niños y mascotas durante el montaje, ya que estos representan un riesgo de lesiones y asfixia.
- Evite el uso de objetos punzantes o sustancias químicas corrosivas para prevenir daños al producto.
- Al abrir el paquete, hágalo lentamente y con cuidado para evitar lesiones en las manos causadas por las articulaciones metálicas, especialmente en el caso de los niños.

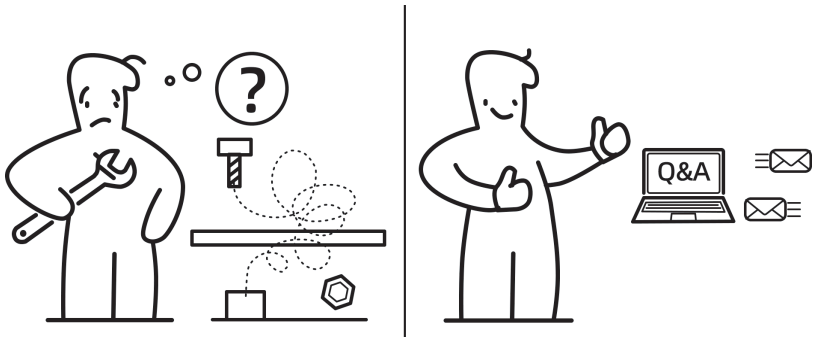
x2



For ease and safety, we recommend 2 people to assembly.



To prevent scratches and damage, assemble the item on a soft, flat, and clean surface.



Dear customers, thank you for choosing our products. We are highly appreciate of your trust on us. Your satisfaction is our first priority.

Please feel free to contact us via anytime if any assistance needed. We will surely solve the problem at full stretch.

For the installation video, please refer to the QR code provided on the after-sales card.

✉ **Our Email address: service2013231@outlook.com**

M6*23



A x 28

M6.3*40



B x 8

M6*20



C x 4

M6



D x 8

M4*12



E x 1

M6*30

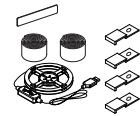


F x 4

M3.5*12



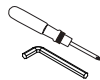
G x 2



H x 1

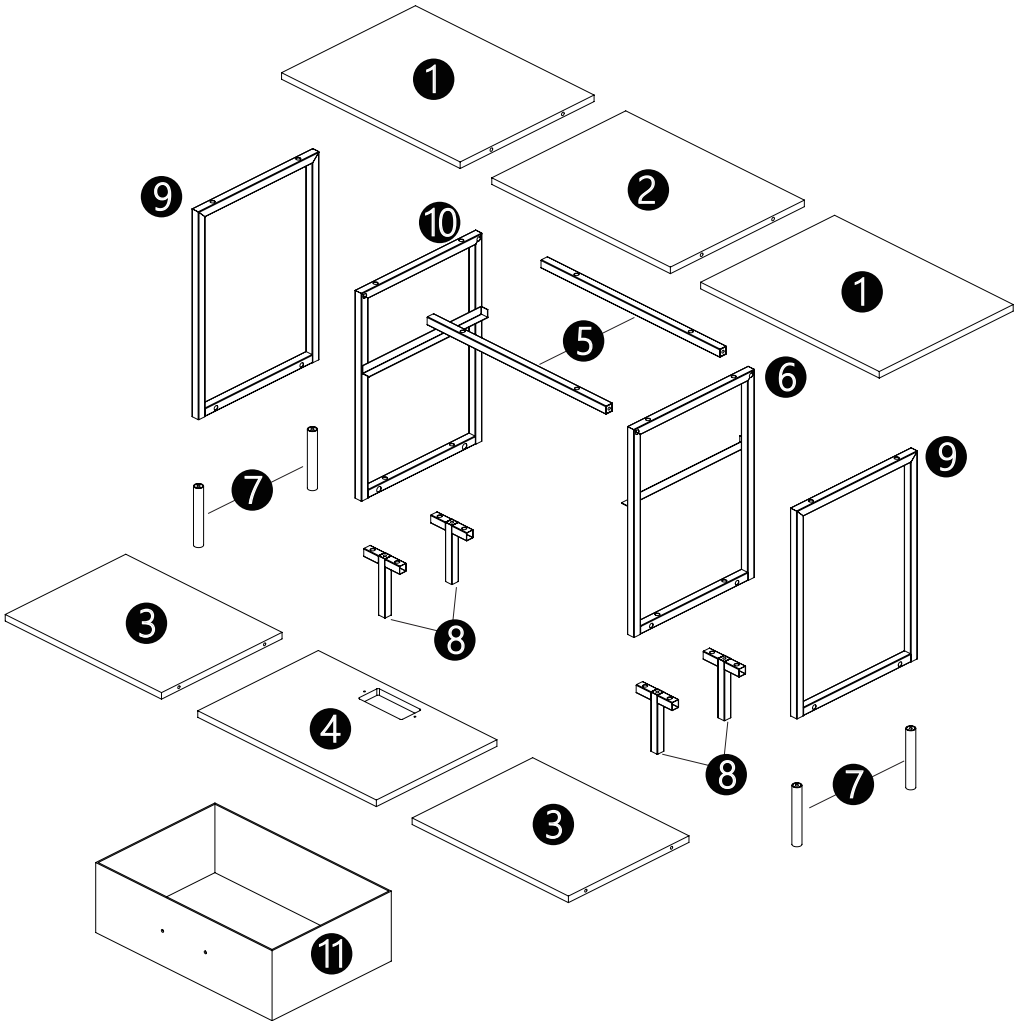


J x 1



K x 1

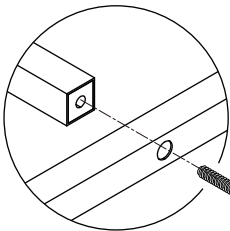
EXPLODED DRAWING:



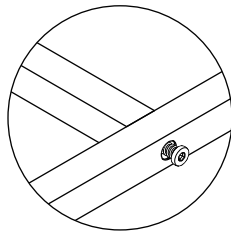
SCREW INSTALLATION METHOD:

When installing the screws initially, align the holes first and tighten the screws by 70%. When the overall installation is complete, tighten all the screws.

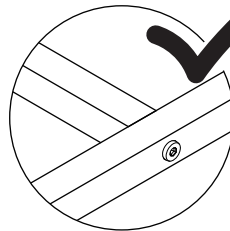
CORRECT INSTALLATION METHOD:



Align the
screw holes

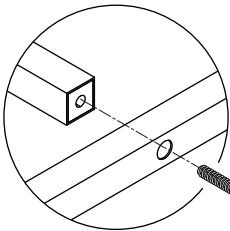


Tighten 70% during
installation

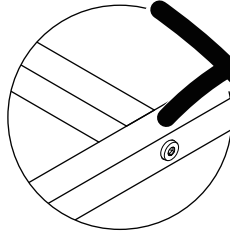


After the whole is assembled,
tighten all the screws

WRONG INSTALLATION METHOD:



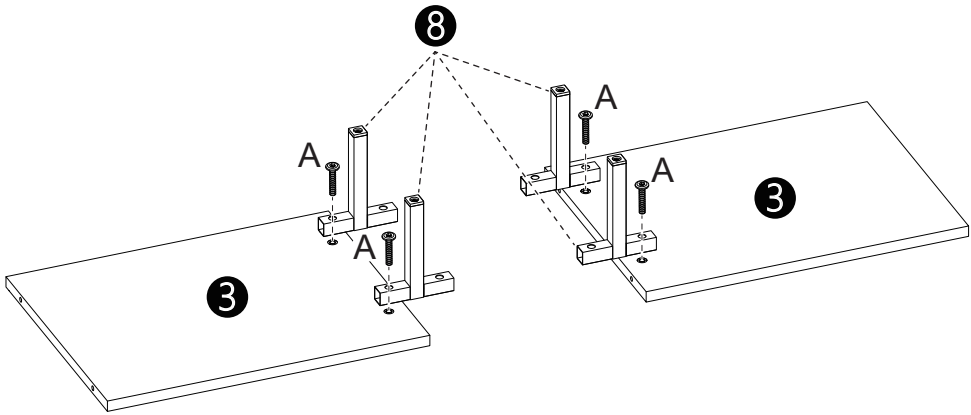
Align the
screw holes



Direct locking

WRONG

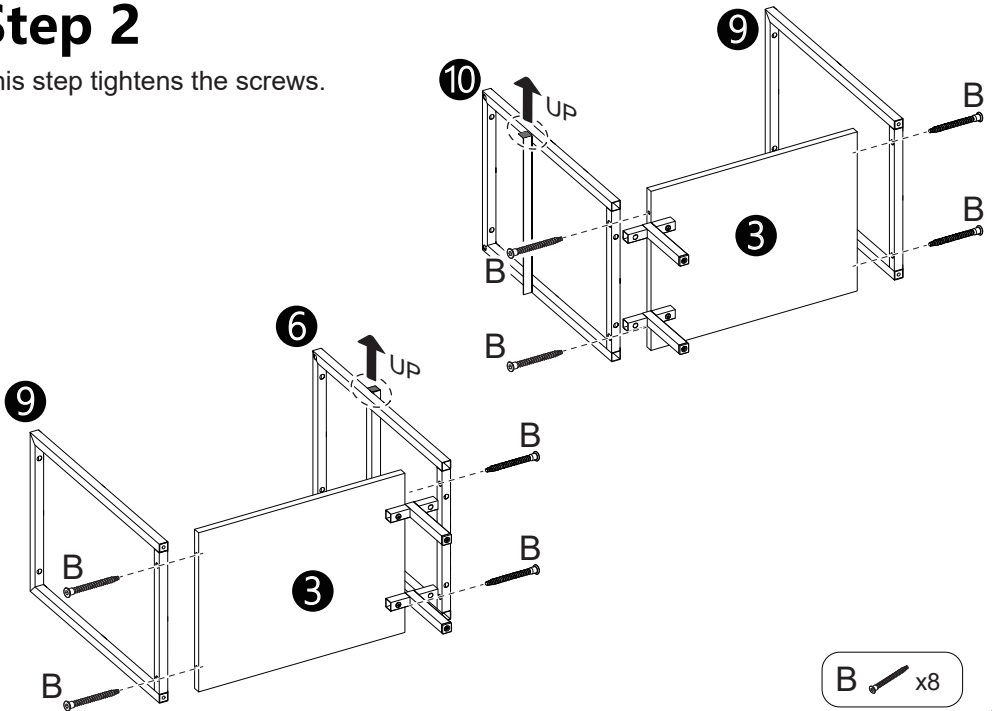
Step 1



A  x4

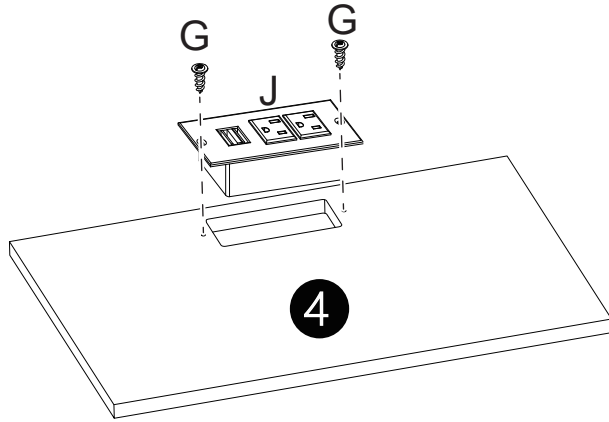
Step 2

This step tightens the screws.



B  x8

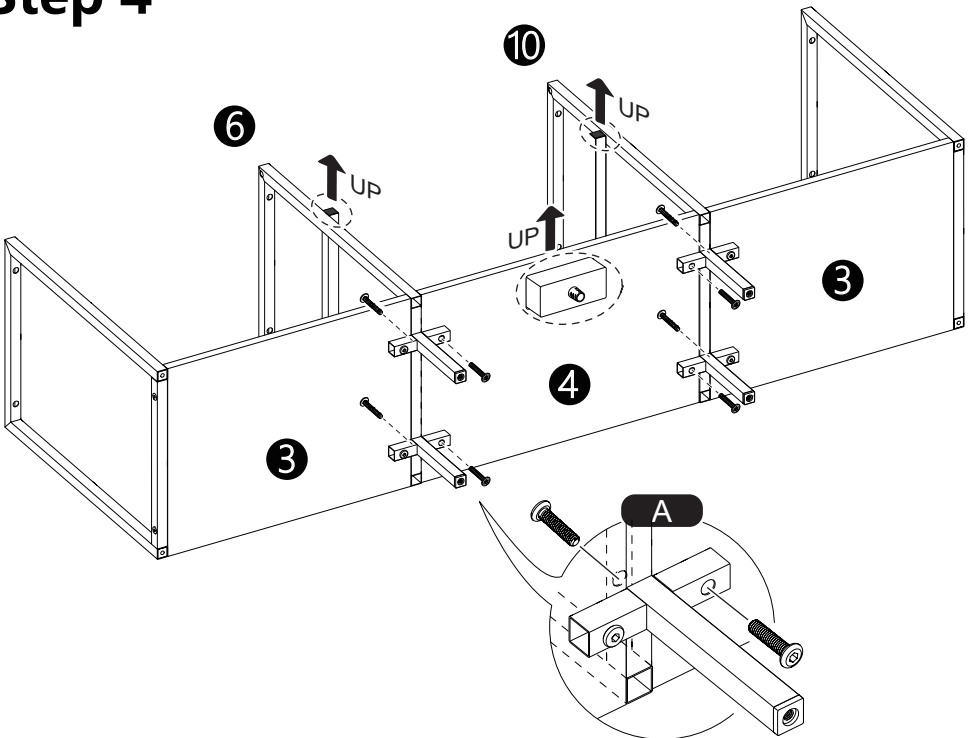
Step 3



G  x2

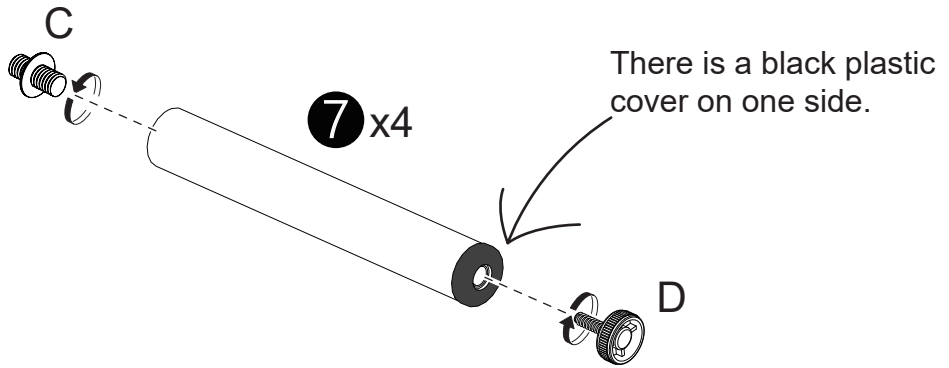
J  x1

Step 4



A  x8

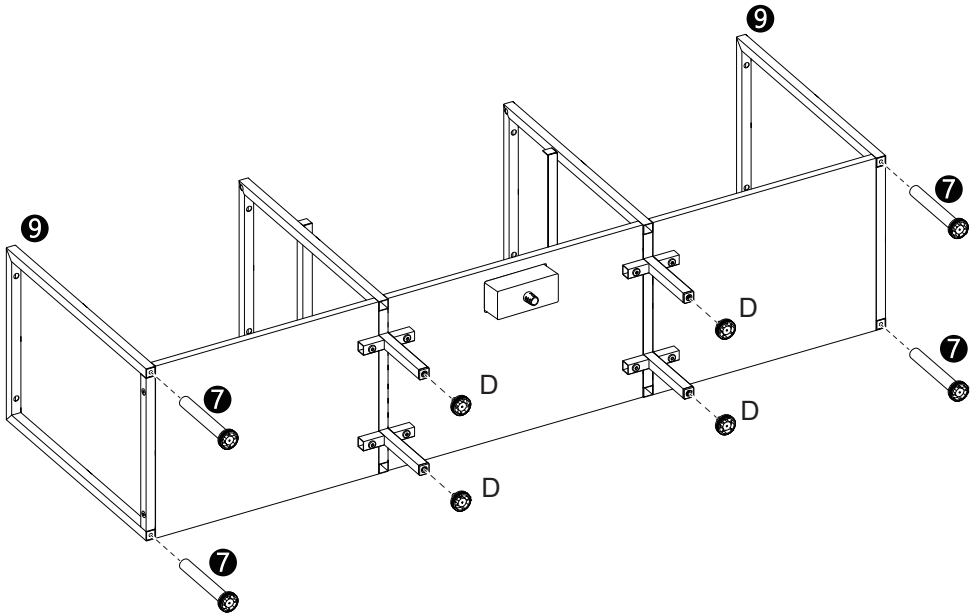
Step 5



C  x4

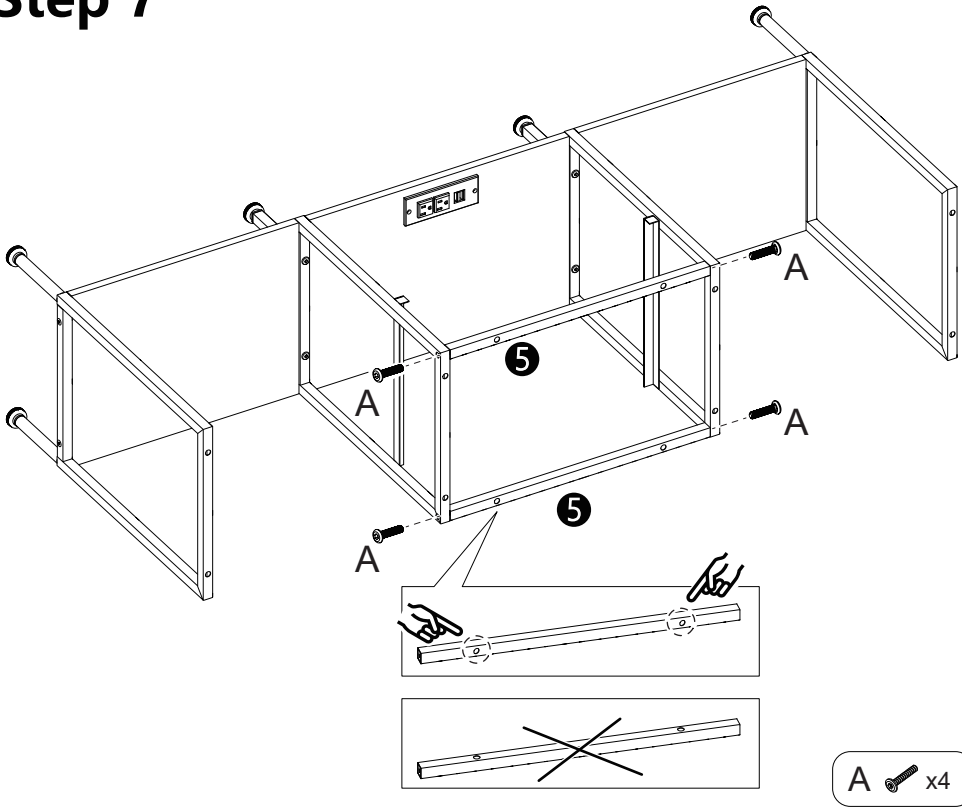
D  x4

Step 6



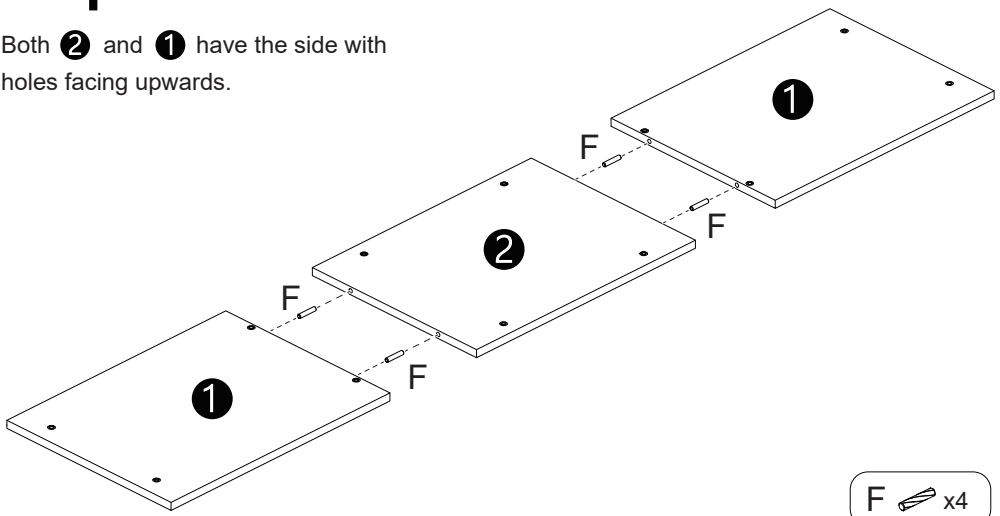
D  x4

Step 7

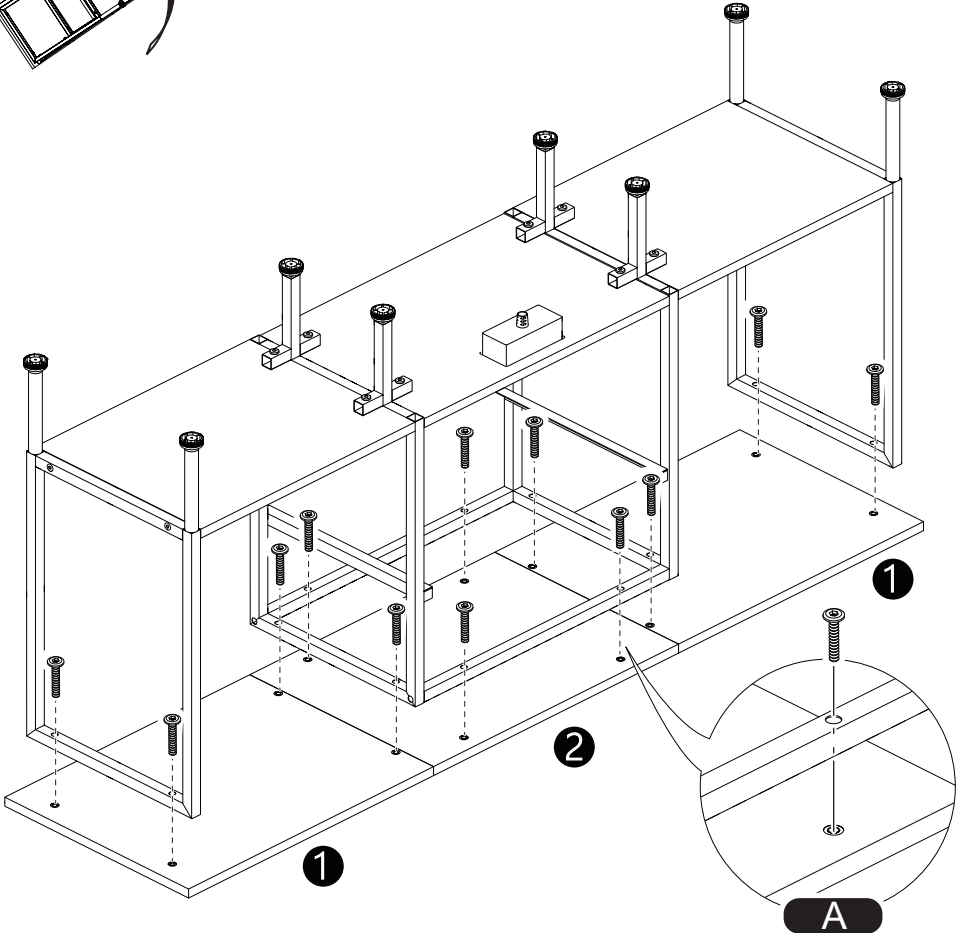
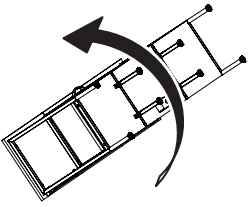


Step 8

Both ② and ① have the side with holes facing upwards.

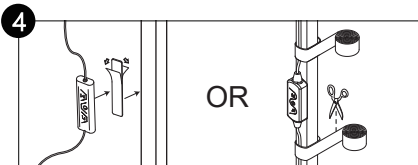
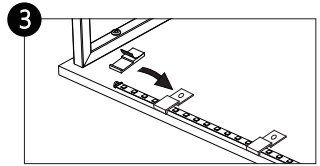
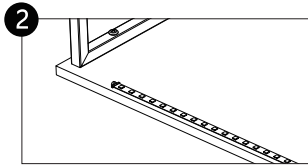
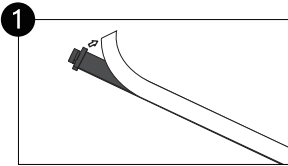
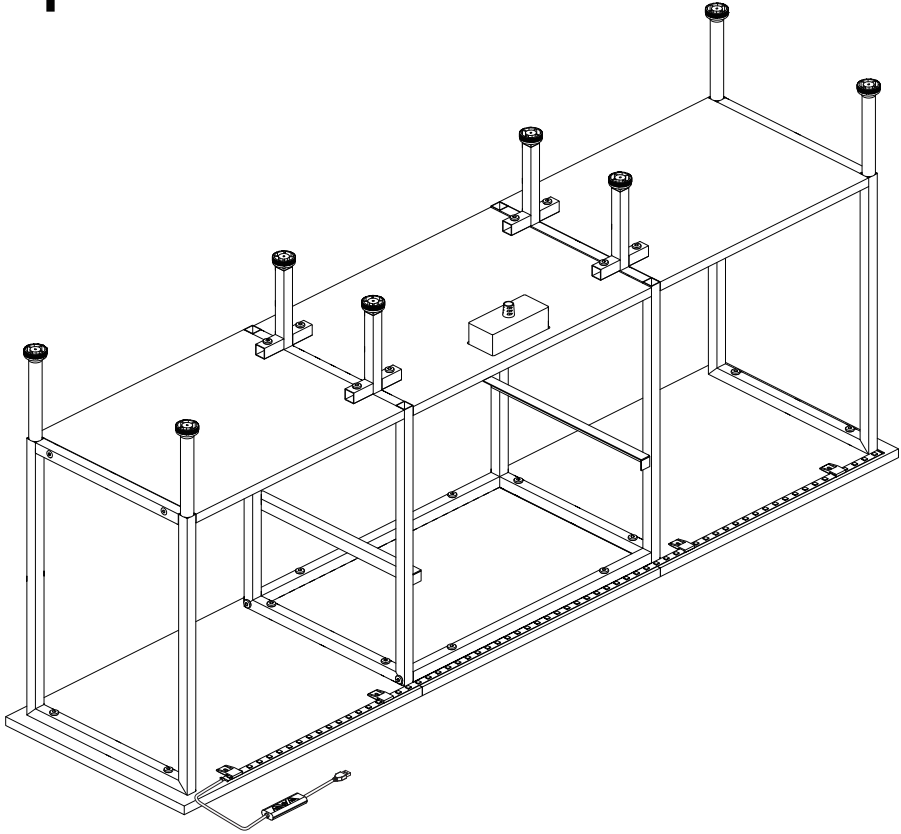


Step 9

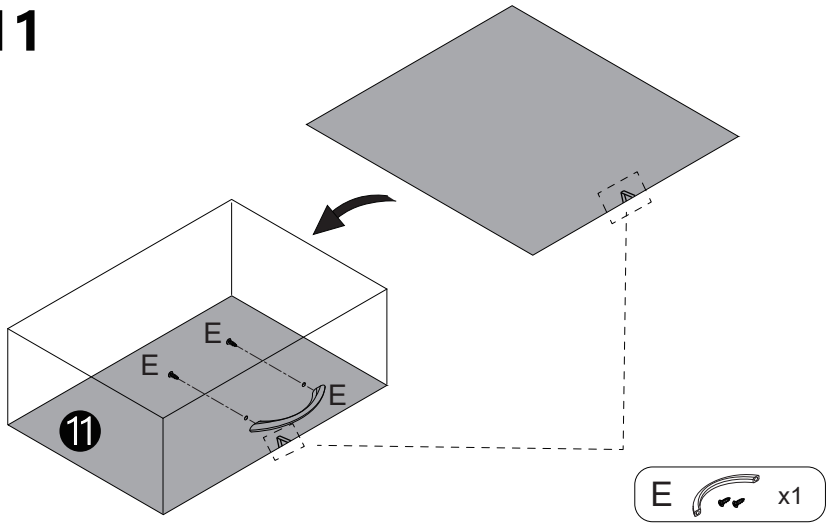


A  x12

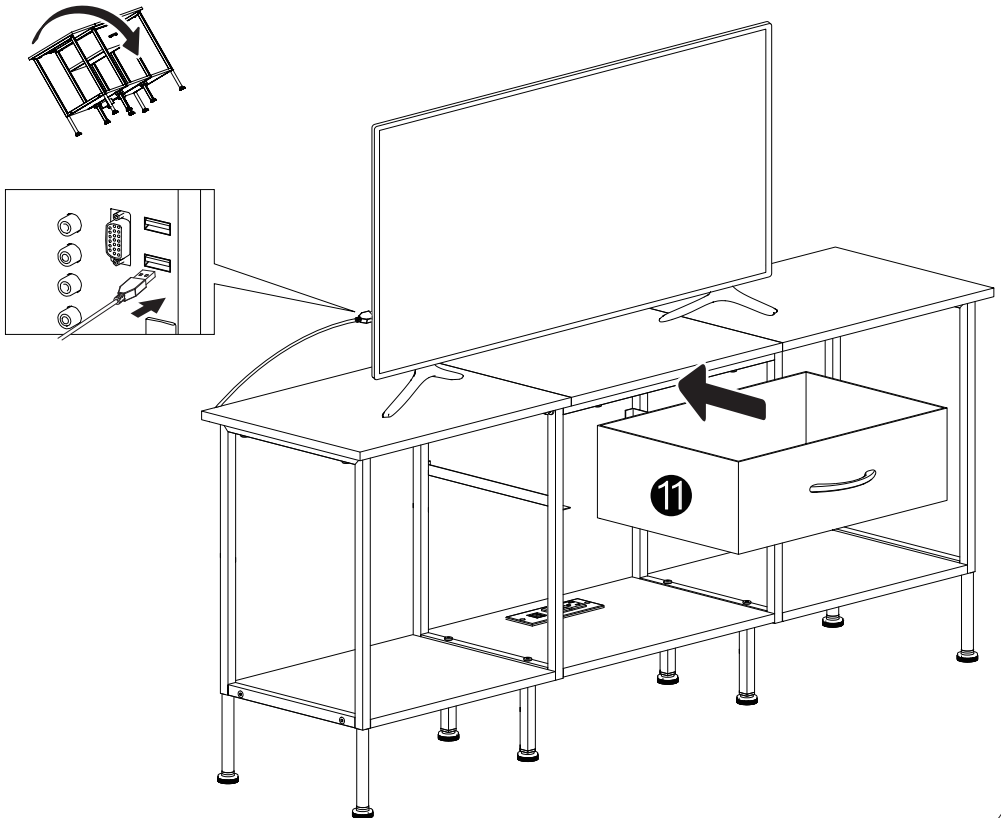
Step 10



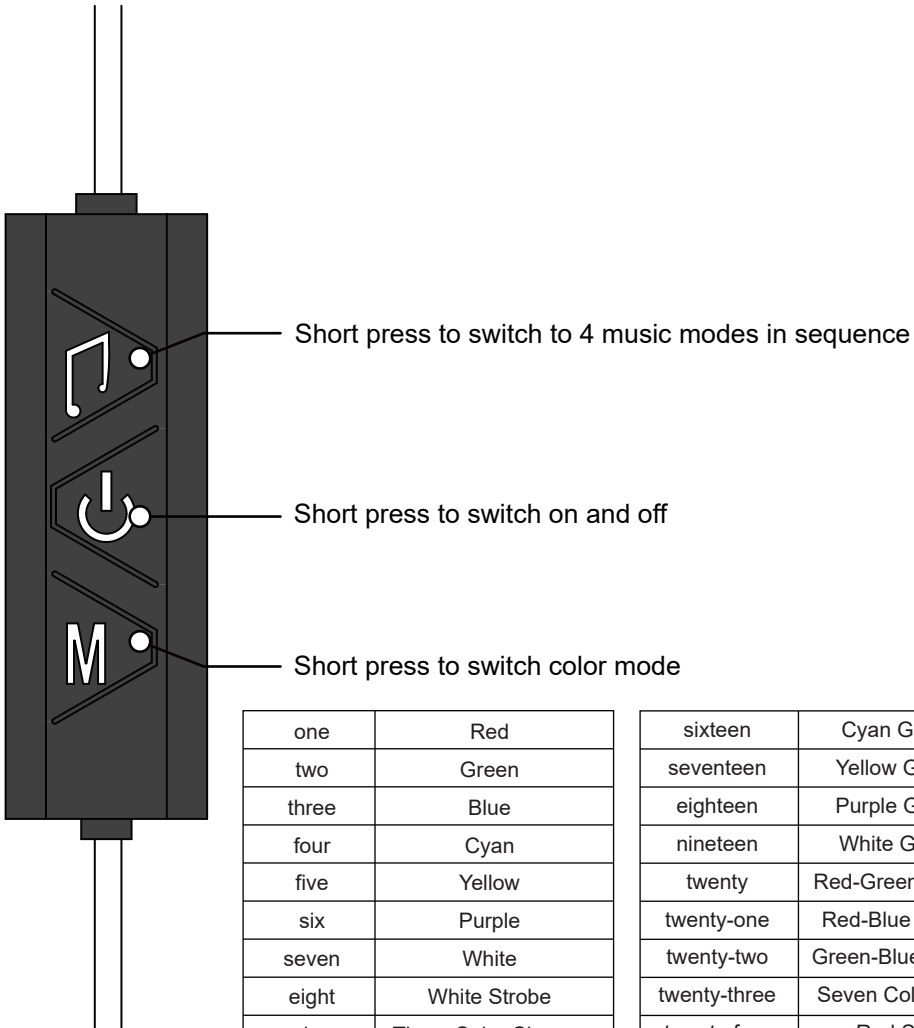
Step 11



Step 12



LotusLantern Button Instructions



one	Red
two	Green
three	Blue
four	Cyan
five	Yellow
six	Purple
seven	White
eight	White Strobe
nine	Three Color Change
ten	Seven Color Change
eleven	Three Color Gradient
twelve	Seven Color Gradient
thirteen	Red Gradient
fourteen	Green Gradient
fifteen	Blue Gradient

sixteen	Cyan Gradient
seventeen	Yellow Gradient
eighteen	Purple Gradient
nineteen	White Gradient
twenty	Red-Green Gradient
twenty-one	Red-Blue Gradient
twenty-two	Green-Blue Gradient
twenty-three	Seven Color Strobe
twenty-four	Red Strobe
twenty-five	Green Strobe
twenty-six	Blue Strobe
twenty-seven	Cyan Strobe
twenty-eight	Yellow Strobe
twenty-nine	Purple Strobe

LotusLantern APP Manual

1. Software Overview

1.1 Overview

LotusLantern is a mobile APP to control LED strip by both Apple and Android phones.

The traditional control ways like infrared, 433MHz, 2.4GHz and others old wired ways will be replaced by mobile phone control way with convenient, powerful and scalable features.

Through this mobile APP, you can not only control the color, brightness and color temperature of the LED strips but also set up all kinds of fancy flash mode; Also this APP can change the light of the LED strip according to the rhythm of the music. This APP can set and control several LED strips through Bluetooth and the operation is very simple, easy to learn and easy to use.

1.2 Features

- Adjust color LED strips with 60,000 colors to change color and brightness and adjust monochrome LED strips to change brightness and color temperature
- Play music or turn on a sound playback device, you can let the light change the color and brightness with the rhythm of music, the music rhythm beautiful
- Inside multiple setting mode for color change and control LED strips without mobile
- Long distance control with omni-directional antenna, and many-to-many group control mode
- Once the connection is successful, connect automatically next time

1.3 Performance

LotusLantern APP is easy for use as well as great compatible for all kinds of smart phones; After the actual test of hundreds of mobile phones verification, the compatibility is above 95% of mobile phones in the market. APP is small and convenient, it consumes less system resources, so the requirements of the mobile configuration are low. Control delay is small, the operation feel good, light control is smooth with people's visual sense.

2. Operating Environment

This APP program requires phones of system above Andriod 4.3 and iOS 8.0. Mobile phone configuration is not limited.

3. Instuctions

Note: Android version and iOS version download and use the same method, here in the Android version as an example.

3.1 APP Download

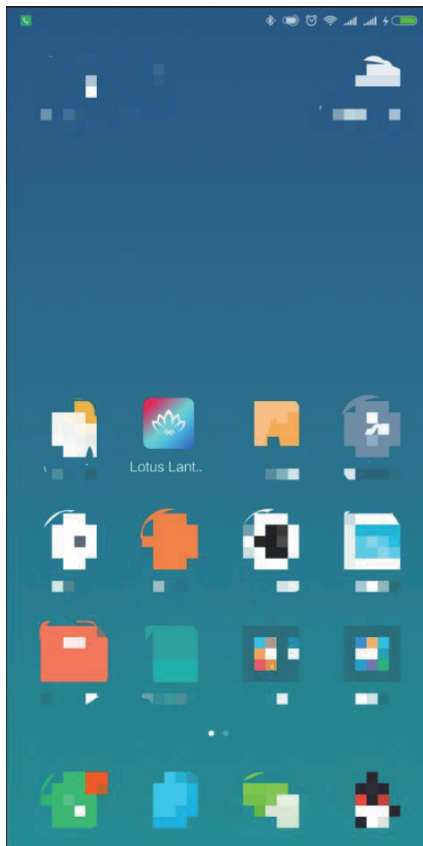
- Scan the QR code

iOS and Android systems can download the "LotusLantern" APP by scanning the QR code. Open the browser or other tools with "Scan QR code" function, scan the "LotusLantern" QR code as below:

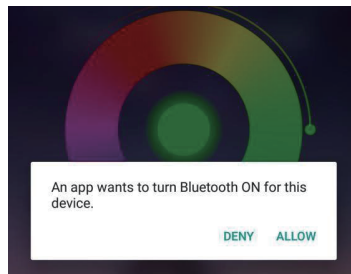


3.2 App Operation

- (1) Click on the LotusLantern APP icon, enter the APP page:



(2) After entering the APP interface, if Bluetooth is not enabled, "an application wants to enable the Bluetooth function of this device." Click [Allow]



(3) switch to color and brightness interface:

A screenshot of a smart lighting application interface. The interface features a large central color wheel for color selection. Below the wheel, there are RGB value displays (R: 98, G: 193, B: 111) and a brightness slider. At the bottom, there are preset buttons (Classic, CCT, W) and a navigation bar with icons for Adjust, Style, Music, Online, and Mic. Callout boxes with arrows point to various UI elements: "Click to show the lamp list" points to a hamburger menu icon; "Switch the color wheel" points to a small color wheel icon; "Click to display setting view" points to a gear icon; "Lamp switch button" points to a toggle switch; "Adjust the color" points to the main color wheel; "Click square icon to adjust the color" points to a square icon in the preset row; "Click to shift the interface" points to the bottom navigation bar; and "Display the RGB value Click to manual adjustment view" points to the RGB value displays.

Click to show the lamp list

Switch the color wheel

Display the RGB value
Click to manual
adjustment view

Click to shift the interface

Click to display setting view

Lamp switch button

Adjust the color

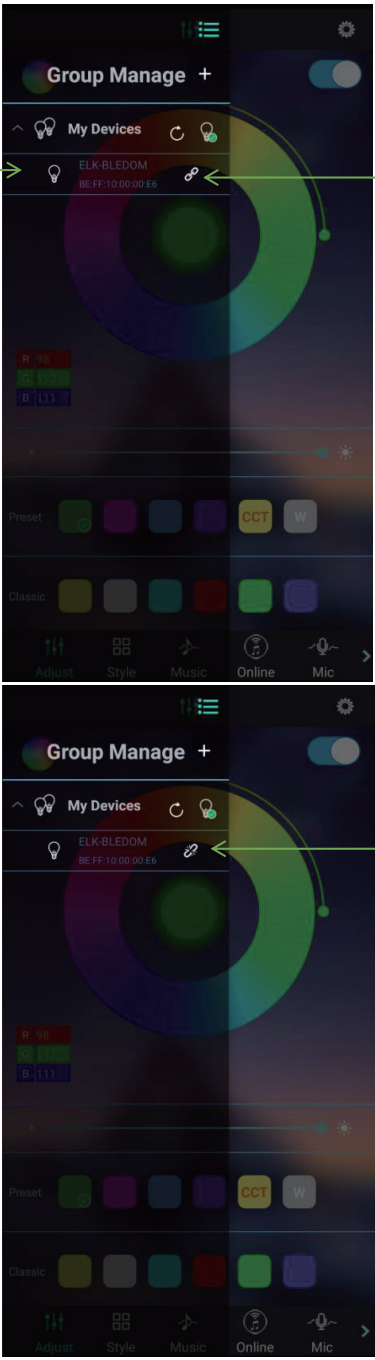
Click square icon to
adjust the color

(4) click to show the lamp list, view lamp list:

Bluetooth auto connect after search for devices

Lamp list

Status of device connection

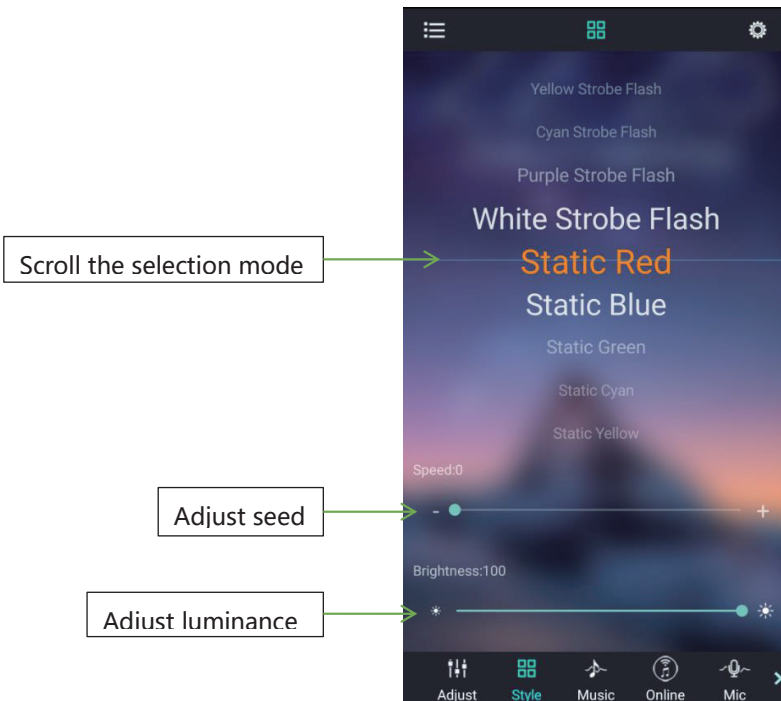


Status of device connection

(5) Click to RGB manual adjustment view:



(6) switch to the mode interface:

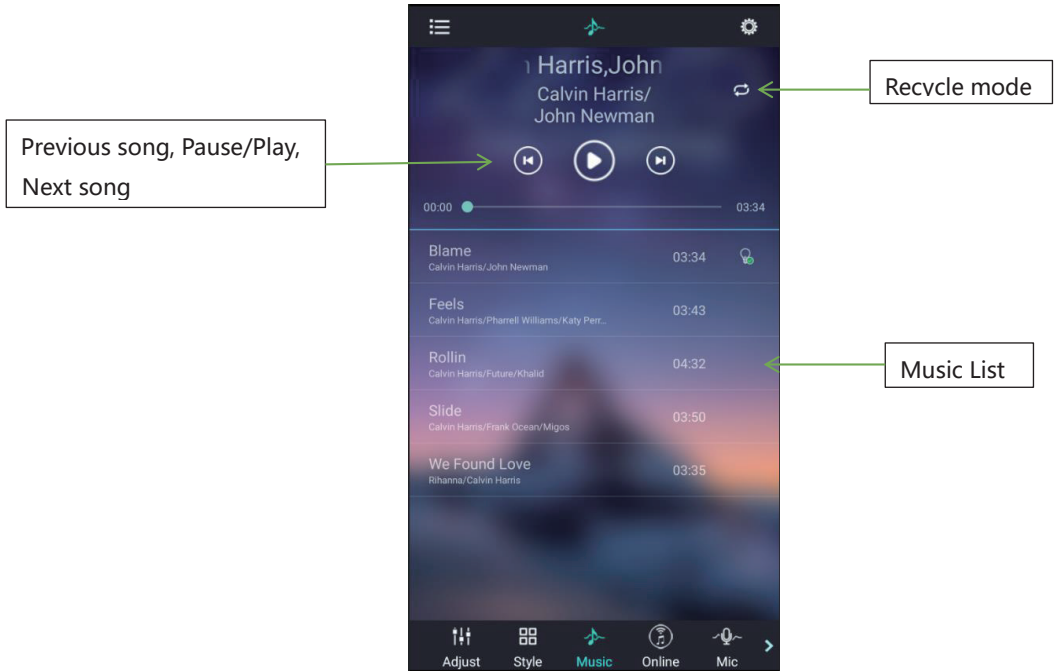


Scroll the selection mode

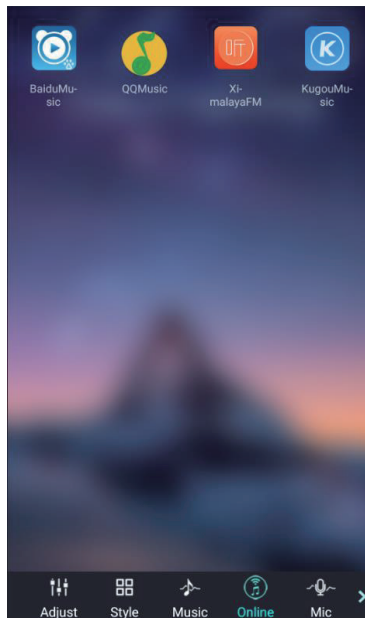
Adjust seed

Adjust luminance

(7) switch to the music rhythm interface:

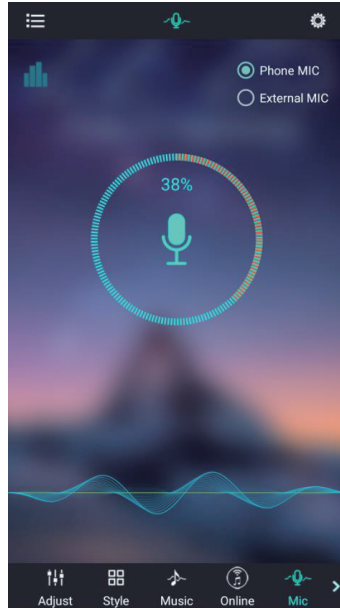


(8) Switch to the online music interface:



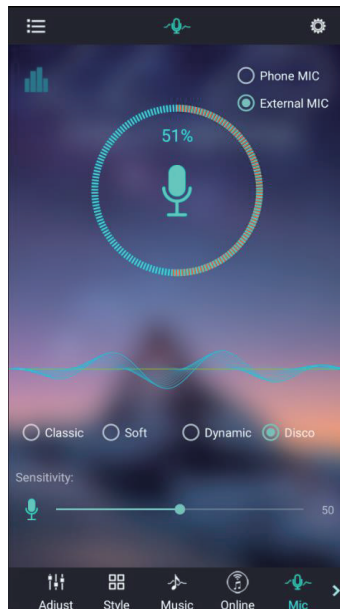
(9) Switch to the microphone rhythm interface:

Music rhythm through cell phone microphone



Switch phone microphone and external microphone

Music rhythm through the microphone on the product

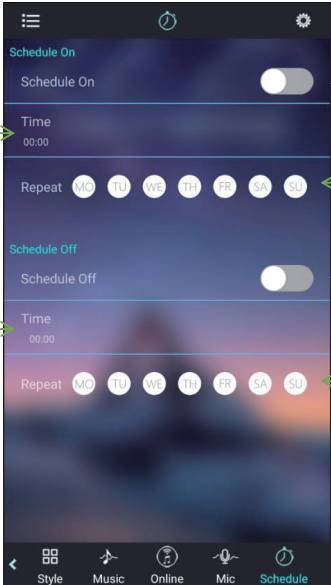


Switch phone microphone and external microphone

4-style rhythm

Change the sensitivity of MIC to match the sound

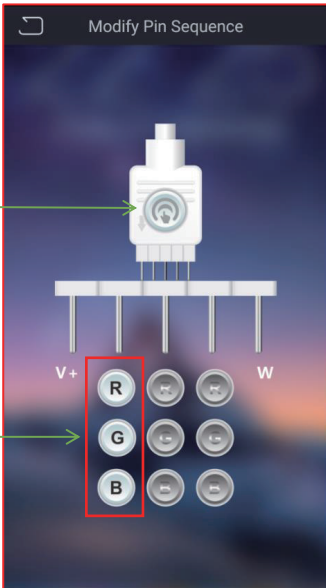
(10) Switch to the schedule interface:



The screenshot shows the 'Schedule' interface with two main sections: 'Schedule On' and 'Schedule Off'. Each section has a toggle switch, a 'Time' field, and a 'Repeat' row with day-of-week buttons (MO, TU, WE, TH, FR, SA, SU). Callouts point to these elements:

- Set the time of Light-On**: Points to the 'Time' field in the 'Schedule On' section.
- Set the time of Light-Off**: Points to the 'Time' field in the 'Schedule Off' section.
- Enable or disable the Light-On function**: Points to the toggle switch in the 'Schedule On' section.
- Repeat setting No selection for once Light-On**: Points to the 'Repeat' row in the 'Schedule On' section.
- Enable or disable the Light-Off function**: Points to the toggle switch in the 'Schedule Off' section.
- Repeat setting No selection for once Light-Off**: Points to the 'Repeat' row in the 'Schedule Off' section.

(11) Switch to the modify pin sequence interface:



The screenshot shows the 'Modify Pin Sequence' interface. It features a central image of a pin connector and a grid of colored buttons (R, G, B) below it. Callouts point to these elements:

- Click to save the new assignment**: Points to a save icon (a circle with a checkmark) located above the pin connector image.
- Change the real color of this line**: Points to the 'R' (Red) button in the grid, which is highlighted with a red box.