

TWIN HEAD FLOOD LIGHT

SPEC SHEET



Catalog No. : DUO12-PC-3K-WH

Type : Flood Light

Project Name :

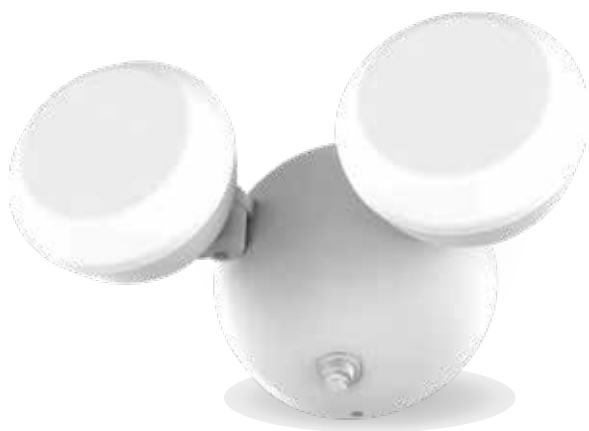
Location :

Qty :

Date :



Suitable for
Wet Locations



PROBRITE'S latest LED Twin Head Security Floodlight delivers high light output with the latest in LED technology, all in an aesthetically pleasing, slim-profile housing designed by a renowned product designer. The fixture provides a glare-free, inviting, and safe 3000K warm white light that provides abundant security lighting while also being visually-comforting and neighbor-friendly. The fixture can be wall or eave mounted for a wide range of residential and commercial applications.

APPLICATIONS

Great for driveways, back yards, parking areas, sheds, and on the side of your home to provide wide and even light coverage.

PRODUCT PERFORMANCE AT A GLANCE

SYSTEM WATTAGE	LED WATTAGE	LUMENS	LPW	CRI	REPLACES (MH)
12W	11W	1200 lm	100 lm/w	≥80	75W

HOUSING

Impact resistant UV-stabilized polycarbonate housing with UV-stabilized vandal-resistant polycarbonate frosted lens.

Toolless head adjustment.

IP RATING & LISTINGS

LED light engine is weather proof rated IP65.

cULus, FCC Certified

OPTICS

Diffused wide angle with nearly zero glare.

MOUNTING

Unit has a detachable mounting plate with hanging wire that allows for hands-free installation when making electrical connections.

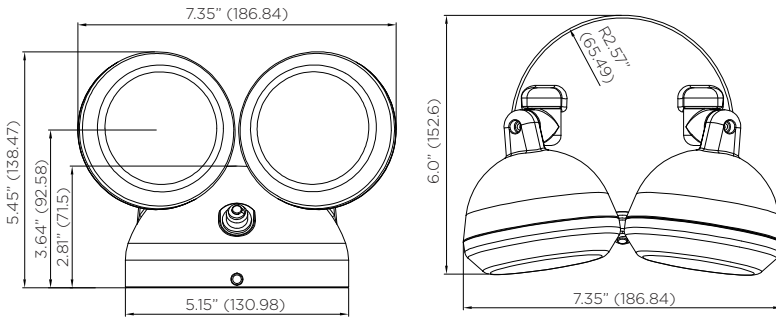
FINISH

Commercial grade, weather-resistant and UV-stabilized polycarbonate housing. Color is bronze.

WARRANTY

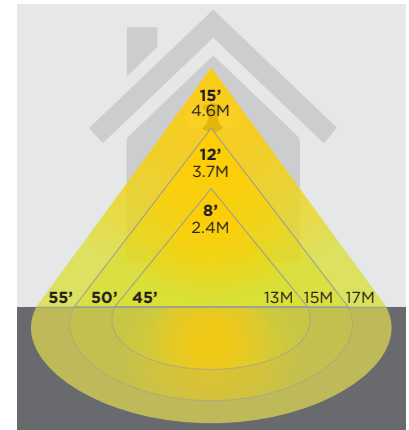
Fixture is covered by a 5-year limited warranty. See probrite.com/warranty for details.

PRODUCT LINE DRAWING



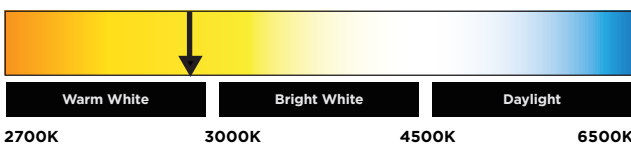
SUGGESTED MOUNTING HEIGHT:
8-20 FT. (2.4-6.1 M)

3D PHOTOMETRIC VIEW



PRODUCT SPECIFICATIONS

Product Dimensions	: 7.36" X 5.42" X 5.42"
Weight	: 1.32lbs
Lumens	: 1200
System Wattage	: 12W
LED Wattage	: 11W
Efficacy	: 100
CRI	: 70
Replaces (MH)	: 75W
Mounting	: Universal mounting plate
Frequency	: 50-60Hz
THD(Total Harmonic Distortion)	: <20%
PF(Power Factor)	: >0.9
Ambient Operating Temperature	: (-30) - 40°C
Input Voltage	: 120V
LED Chip	: LG 5630
Photocell	: Yes
Driver	: Non-dimming
Standard Lifetime	: L70 >50,000hrs
Standard Warranty	: 5 Years
Water Proofing Grade	: Suitable for wet location
CCT	: 3000K
Certifications	: UL/cUL



APPLICATION

