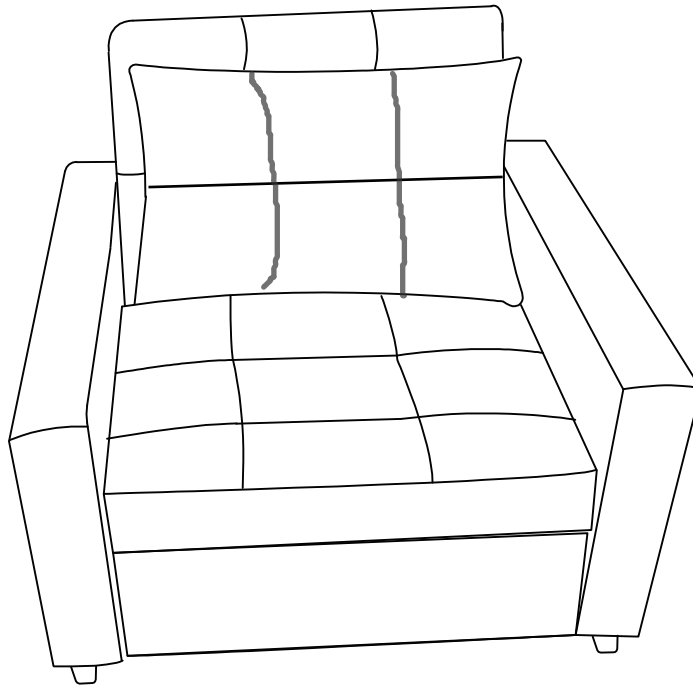


# Sleeper Sofa Bed Assembly Instructions SS13148



## Attention

1. Please check the manual carefully and make sure you have received all the parts in t w o box as listed below.
2. Assemble step by step. Feel free to contact us if you have missing parts or questions during assembly.
3. We recommend to assemble the sofa bed with 2 people.
4. The sofa cover can't be removed but you can easy to clean with peroxide spray.

## Before install it, please see these attentions

### FAQ

Q1:Missing srcews

A2:The screws are placed in the sofa base - Part [ C&A].

Please open the cloth of these parts and take out all the accessories.

If you still can't find these accessories, please check the parts list and tell us number of missing parts. We will help you asap.

Q2:Can't adjust the backrest.

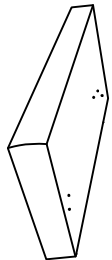
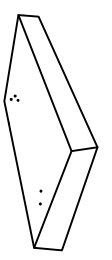
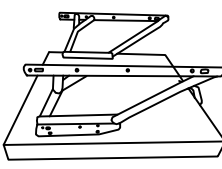
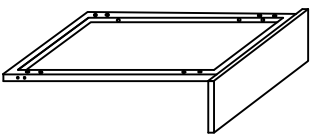
A2: This sofa bed has 3 levels of adjustment: 105°,143°,180°.

When a clicking sound is heard, it means that a gear has been successfully adjusted. If it can't be adjusted, the hinge may be damaged. Pls take some pics or would better a video and contact us for help.

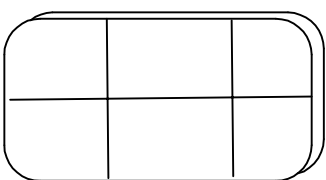
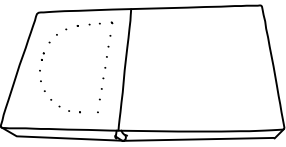
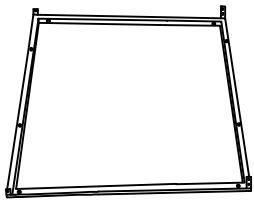
Q3:The armrest can't be installed or the hole position is not uniform, which makes it impossible to install or difficult to install.

A4:Please secure all the screws by 70% before completely install chair, and then tighten them together after they are all aligned.

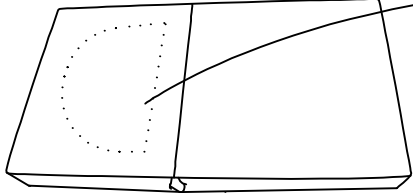
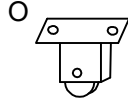
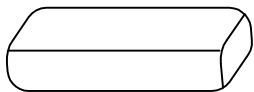






























### Package A Parts List

<p><b>D</b></p>  <p>Left Arm 1PC</p>	<p><b>D-1</b></p>  <p>Right Arm 1PC</p>	<p><b>F</b></p>  <p>Rear bed part Moveble Frame 1PC</p>
<p><b>F-1</b></p>  <p>Rear bed part Base Frame 1PC</p>		

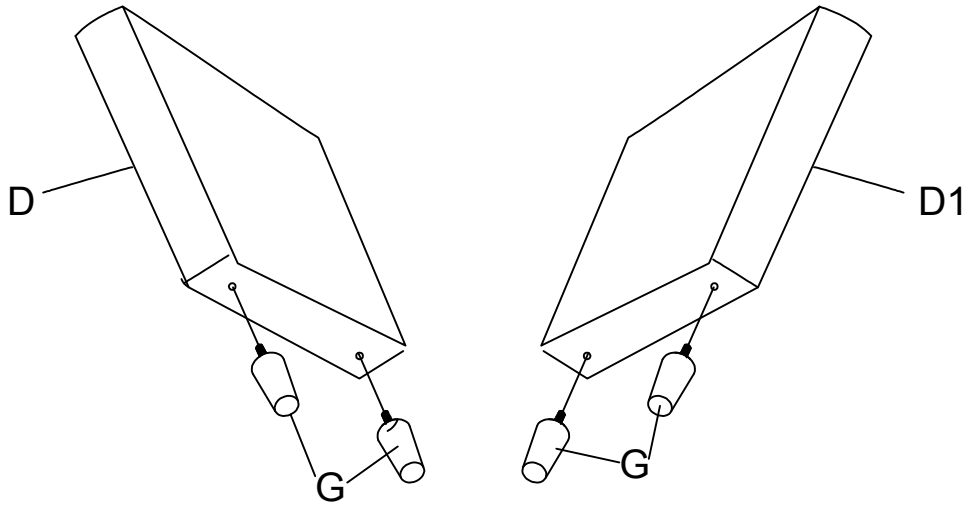
### Package B Parts List

<p><b>B</b></p>  <p>Back cushion1 PC</p>	<p><b>C</b></p>  <p>Seat 1PC</p>	<p><b>E</b></p>  <p>Frame base 1PC</p>
--	--	--

Please open the cloth of the these parts(C) and take out all accessories.

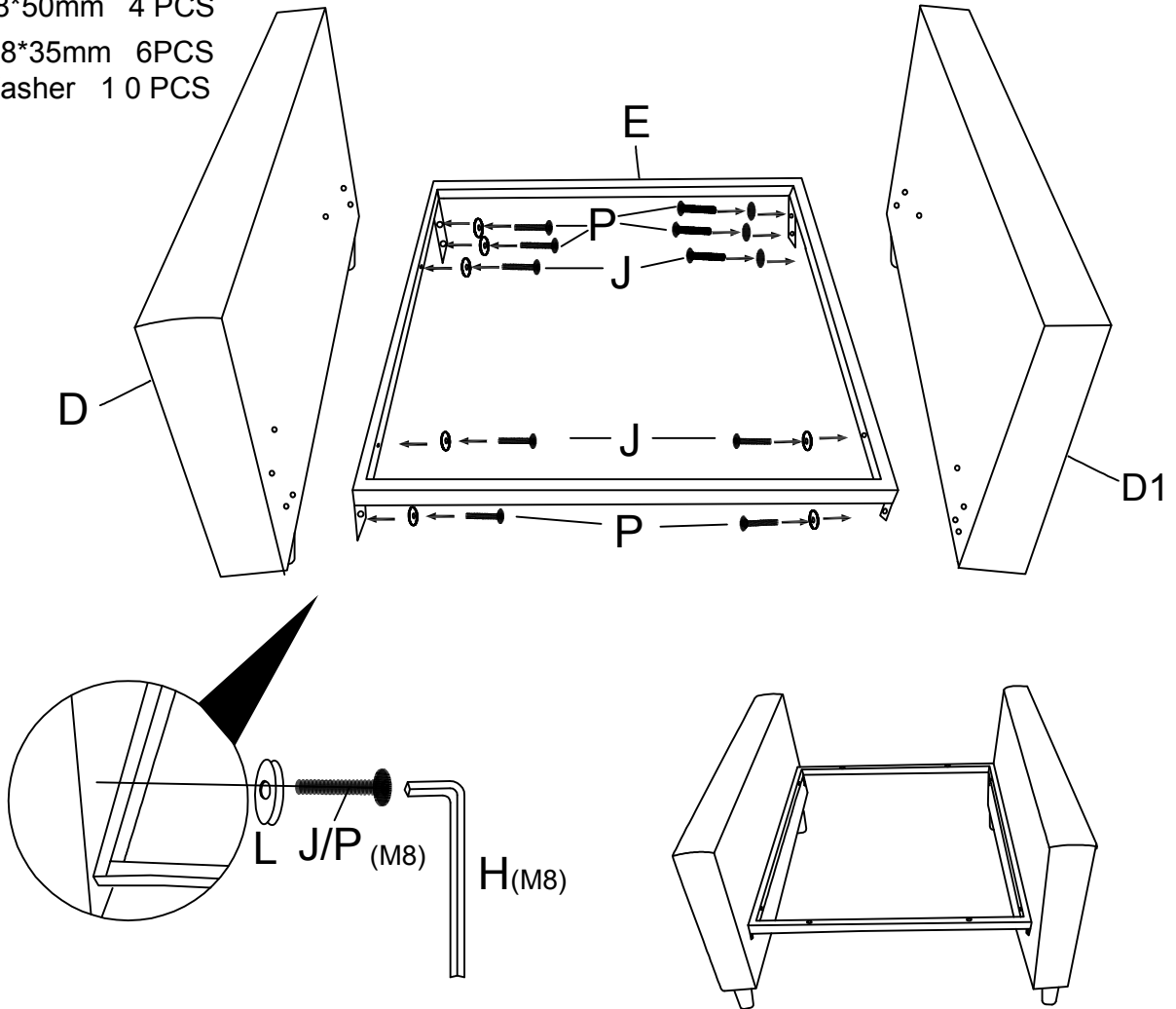
<p><b>C</b></p> 	 <p>Pulley wheel 4PCS</p>										
<p><b>A</b></p>  <p>Hardware Package 1PC</p>	<h4>Hardware Package (A) Parts List</h4> <table border="1"> <tr> <td data-bbox="683 1646 909 1792"> <p><b>G</b></p>  <p>Leg 4PCS</p> </td> <td data-bbox="909 1646 1157 1792"> <p><b>M</b></p>  <p>Caster 2PCS</p> </td> <td data-bbox="1157 1646 1406 1792"> <p><b>N</b></p>  <p>Caster 2PCS</p> </td> </tr> <tr> <td data-bbox="683 1792 909 1937"> <p><b>L</b></p>  <p>Washer 22PCS</p> </td> <td data-bbox="909 1792 1157 1937"> <p><b>H</b></p>  <p>Hex key (M8)</p> </td> <td data-bbox="1157 1792 1406 1937"> <p><b>I</b></p>  <p>Hex key (M6) 1PC</p> </td> </tr> <tr> <td data-bbox="683 1937 842 2054"> <p><b>J</b></p>  <p>M8*50mm 8PCS</p> </td> <td data-bbox="842 1937 1002 2054"> <p><b>P</b></p>  <p>M8*35mm 6PCS</p> </td> <td data-bbox="1002 1937 1204 2054"> <p><b>K</b></p>  <p>M6*15mm 16PCS</p> </td> <td data-bbox="1204 1937 1406 2054"> <p><b>W</b></p>  <p>M8*20mm 6PCS</p> </td> </tr> </table>	<p><b>G</b></p>  <p>Leg 4PCS</p>	<p><b>M</b></p>  <p>Caster 2PCS</p>	<p><b>N</b></p>  <p>Caster 2PCS</p>	<p><b>L</b></p>  <p>Washer 22PCS</p>	<p><b>H</b></p>  <p>Hex key (M8)</p>	<p><b>I</b></p>  <p>Hex key (M6) 1PC</p>	<p><b>J</b></p>  <p>M8*50mm 8PCS</p>	<p><b>P</b></p>  <p>M8*35mm 6PCS</p>	<p><b>K</b></p>  <p>M6*15mm 16PCS</p>	<p><b>W</b></p>  <p>M8*20mm 6PCS</p>
<p><b>G</b></p>  <p>Leg 4PCS</p>	<p><b>M</b></p>  <p>Caster 2PCS</p>	<p><b>N</b></p>  <p>Caster 2PCS</p>									
<p><b>L</b></p>  <p>Washer 22PCS</p>	<p><b>H</b></p>  <p>Hex key (M8)</p>	<p><b>I</b></p>  <p>Hex key (M6) 1PC</p>									
<p><b>J</b></p>  <p>M8*50mm 8PCS</p>	<p><b>P</b></p>  <p>M8*35mm 6PCS</p>	<p><b>K</b></p>  <p>M6*15mm 16PCS</p>	<p><b>W</b></p>  <p>M8*20mm 6PCS</p>								

## STEP 1



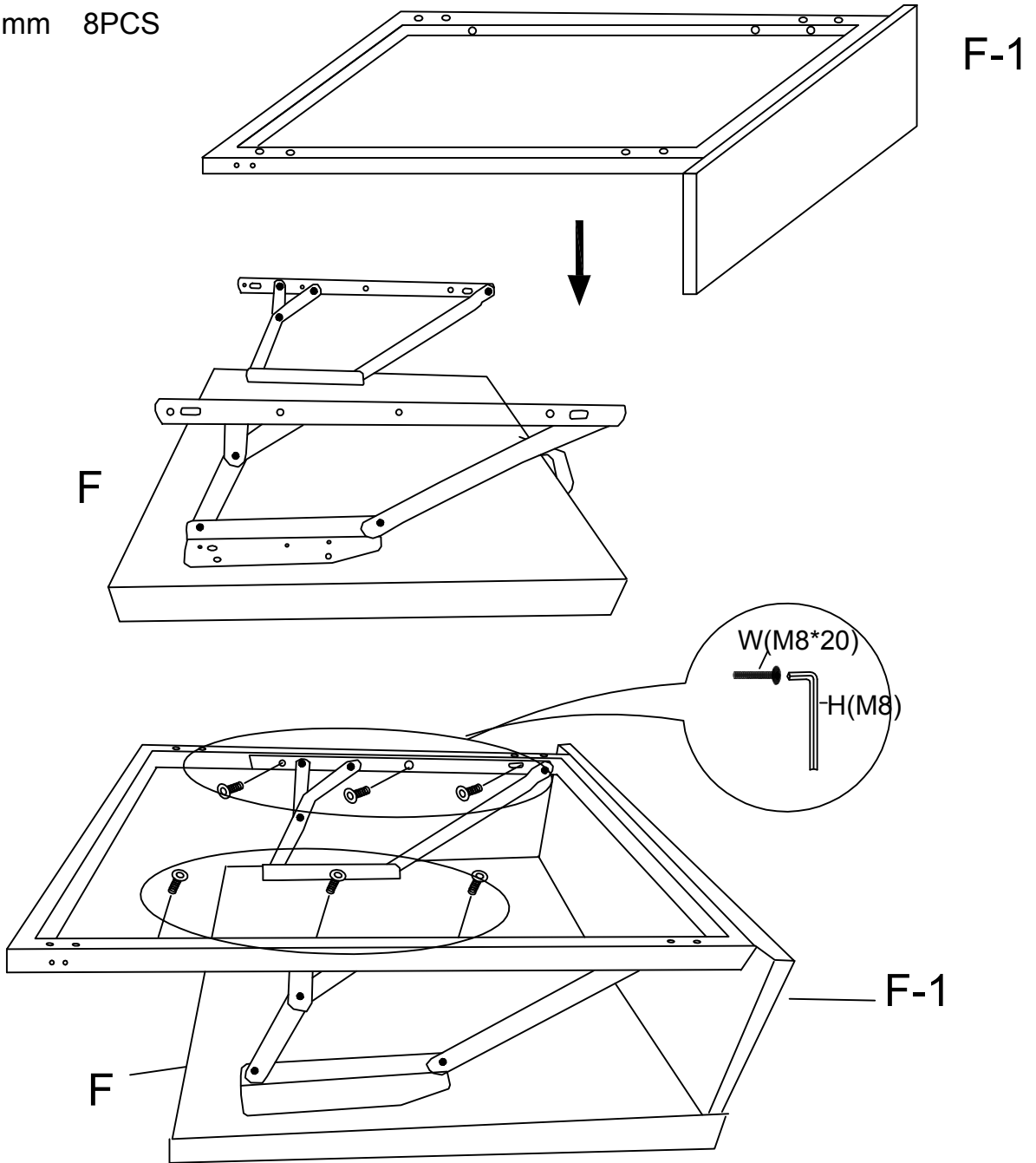
## STEP 2

J M8\*50mm 4 PCS  
P M8\*35mm 6PCS  
L Washer 10 PCS



**STEP 3**

W M8\*20mm 8PCS

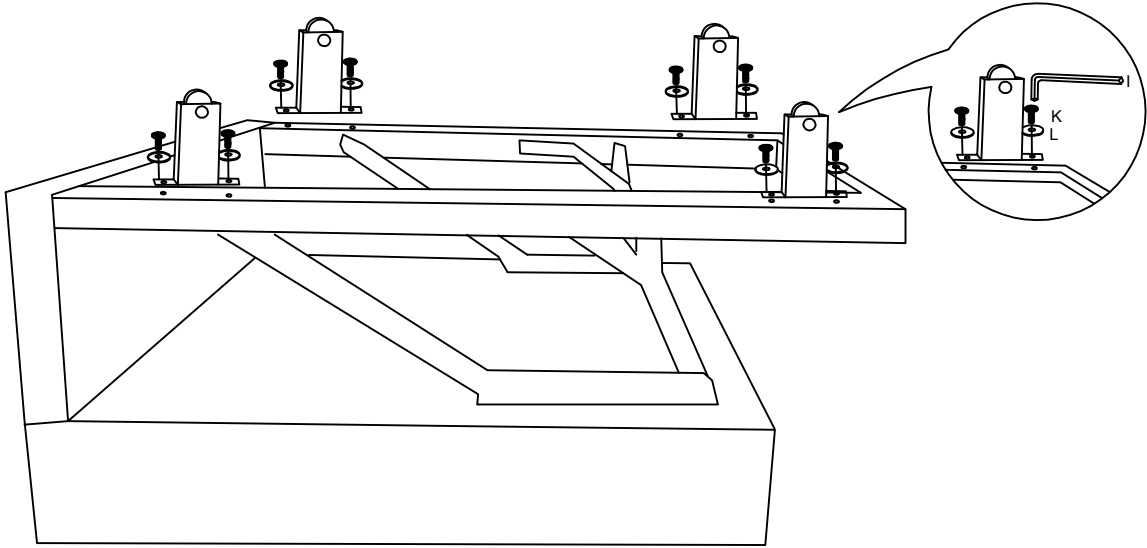


# STEP 4

K M6\*15mm 8PCS

L Washer 8PCS

O Pulley wheel 4PCS



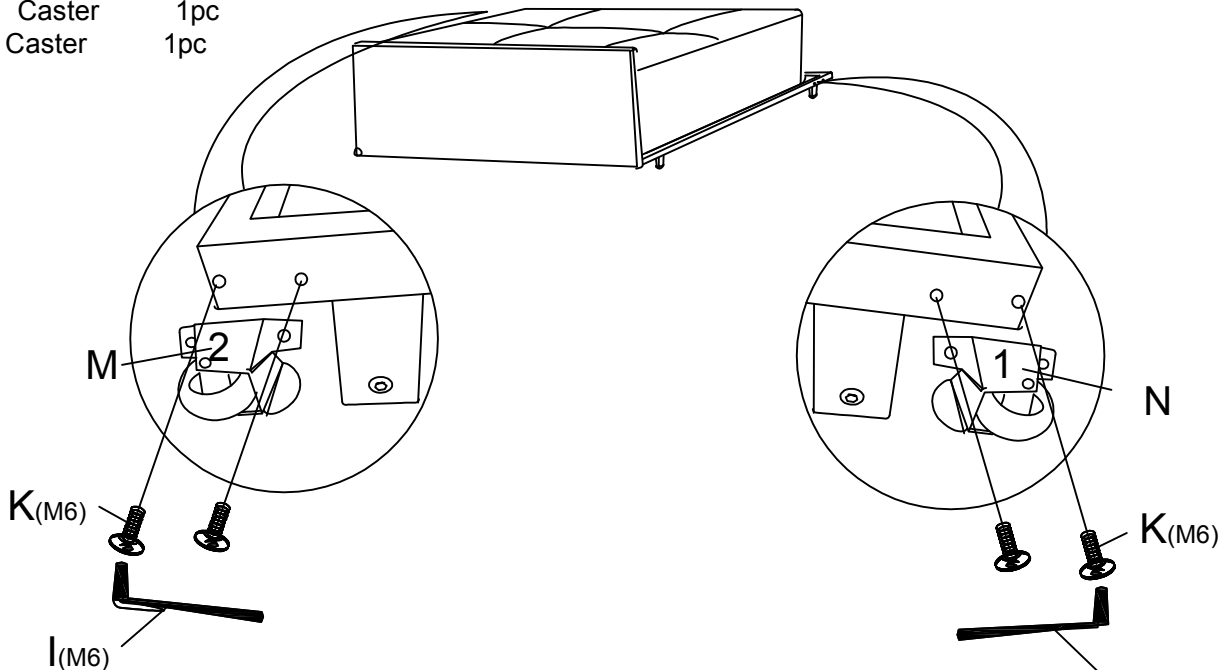
Assemble Tip : When installing the wheel, please keep the side with number upward.

# STEP 5

K M6\*15mm 4PCS

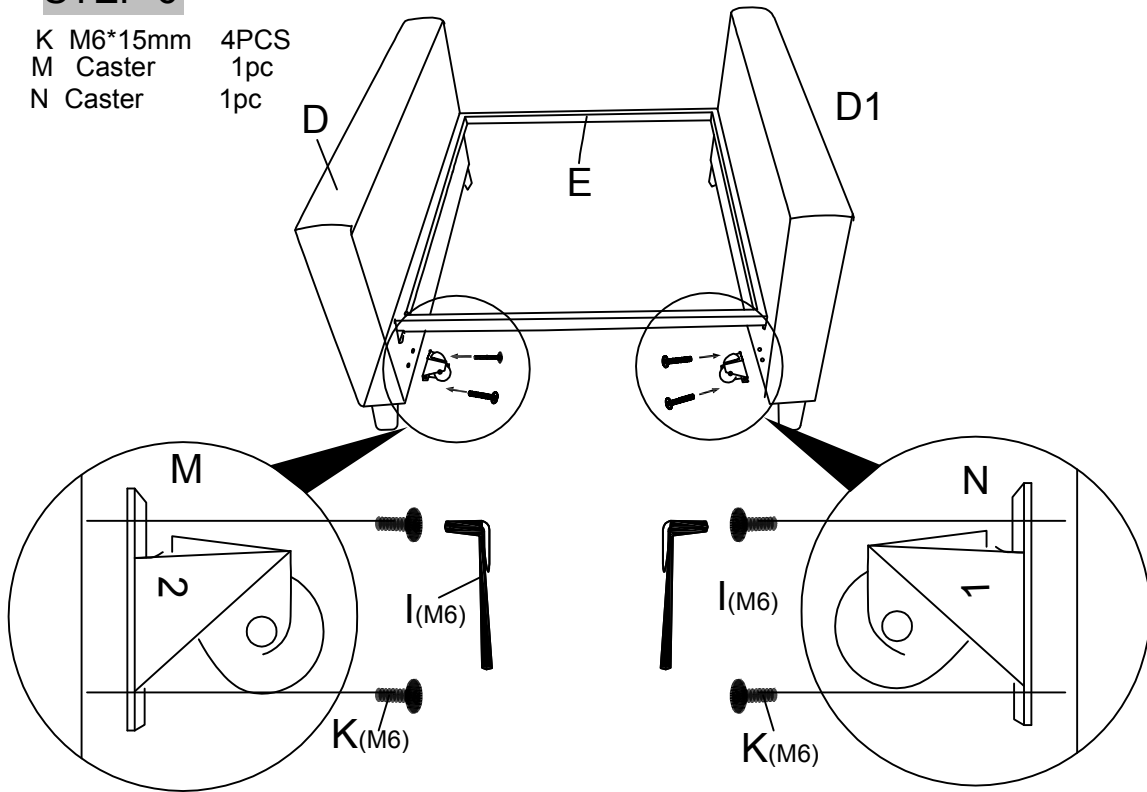
M Caster 1pc

N Caster 1pc

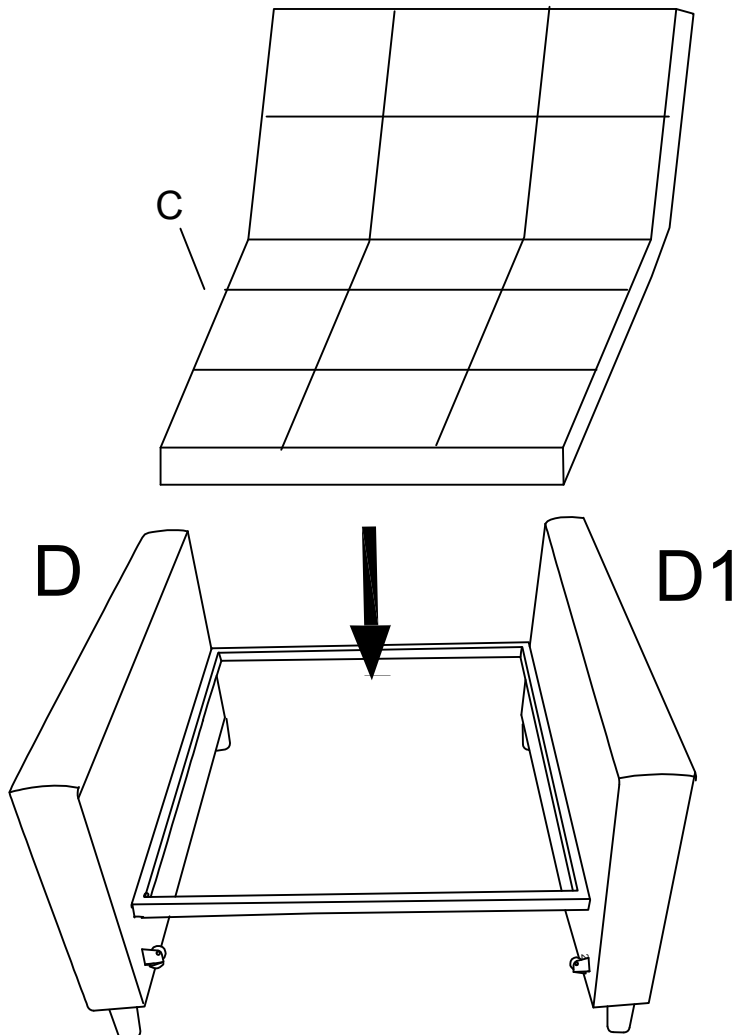


**STEP 6**

- K M6\*15mm 4PCS
- M Caster 1pc
- N Caster 1pc



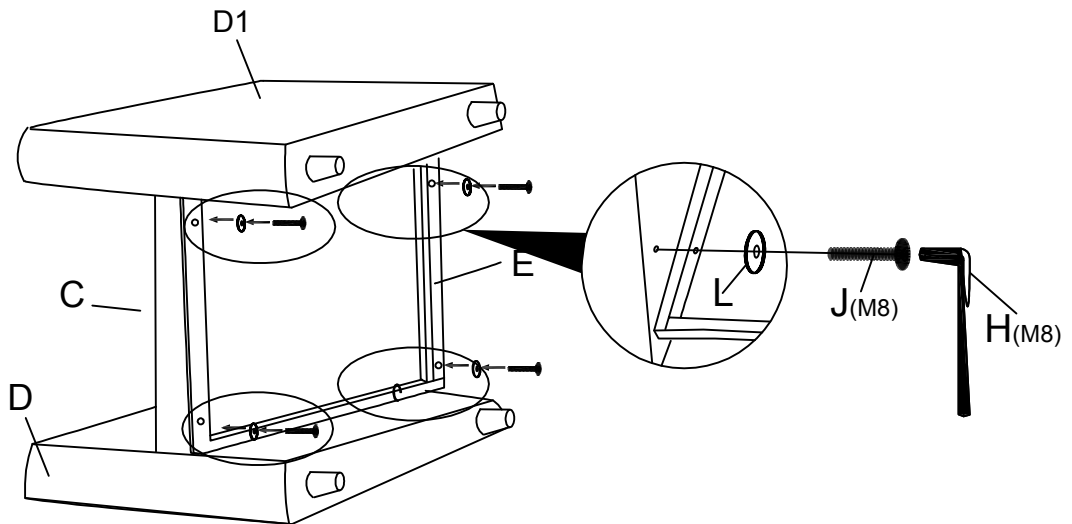
**STEP 7**



## STEP 8

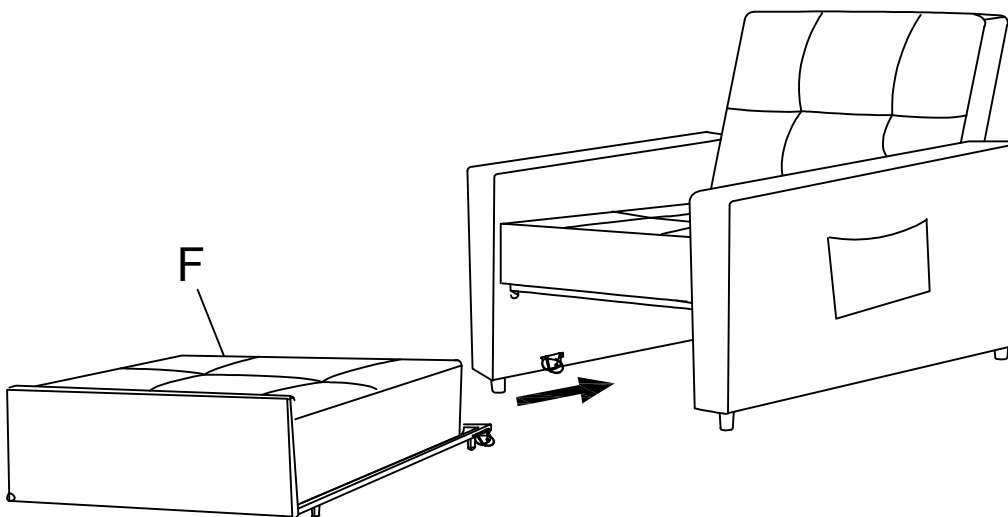
---

J M8\*50mm 4PCS  
L Washer 4PCS



## STEP 9

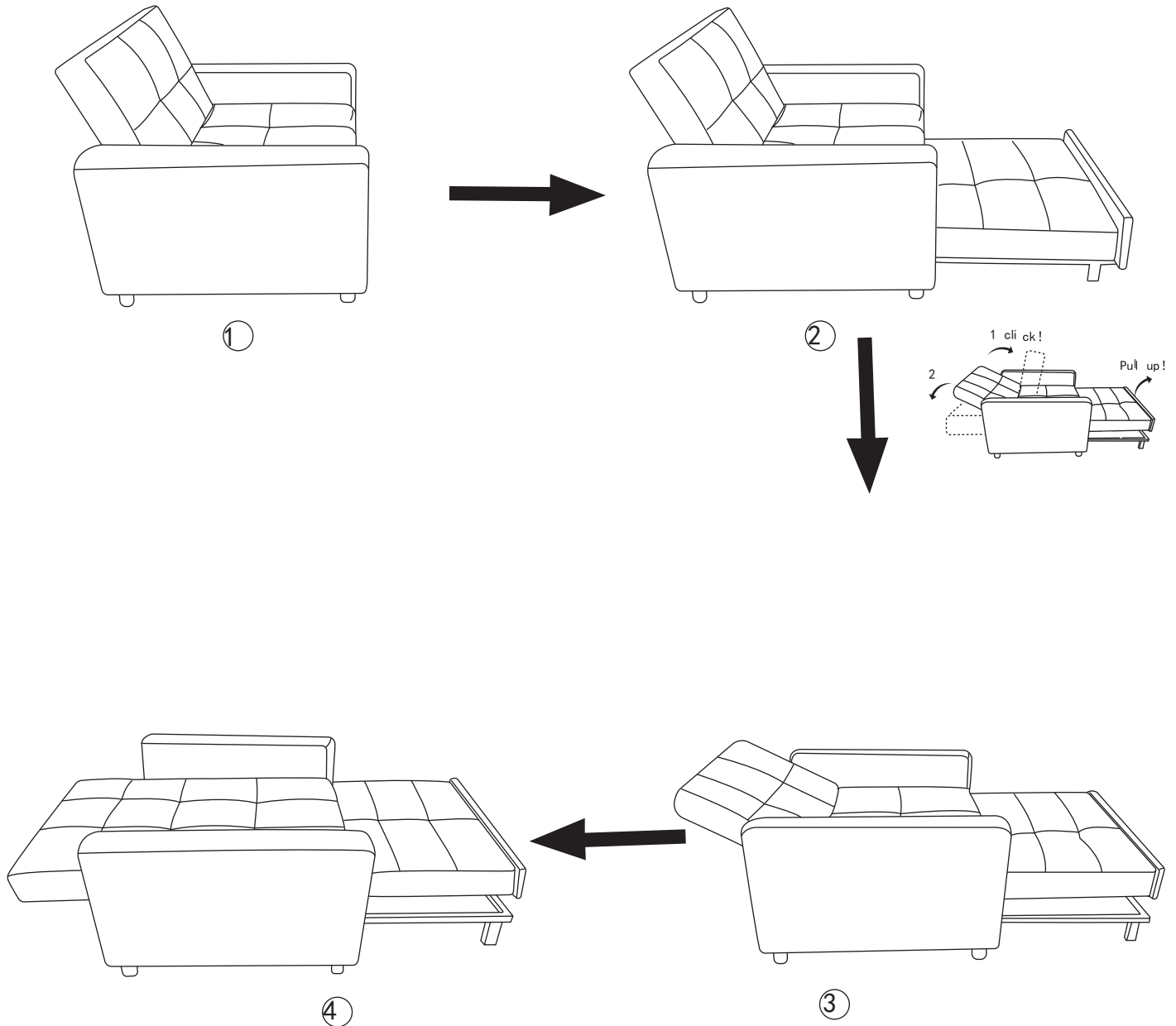
---



## STEP 10

### Multifunctional Sofa Bed with Convertible Positions

1. When you want to convert the sofa to bed, pull out the lower part, take the loop tie to move the rear bed part up until it is in horizontal level with the seat part.
2. Push the back part twice to lie down it.



3. On the contrary, when you want to convert the bed to sofa, just push the back part twice to up position.

4. Pull up the loop tie on rear part to make it back to lower position. Push back it and then it will become a sofa.

