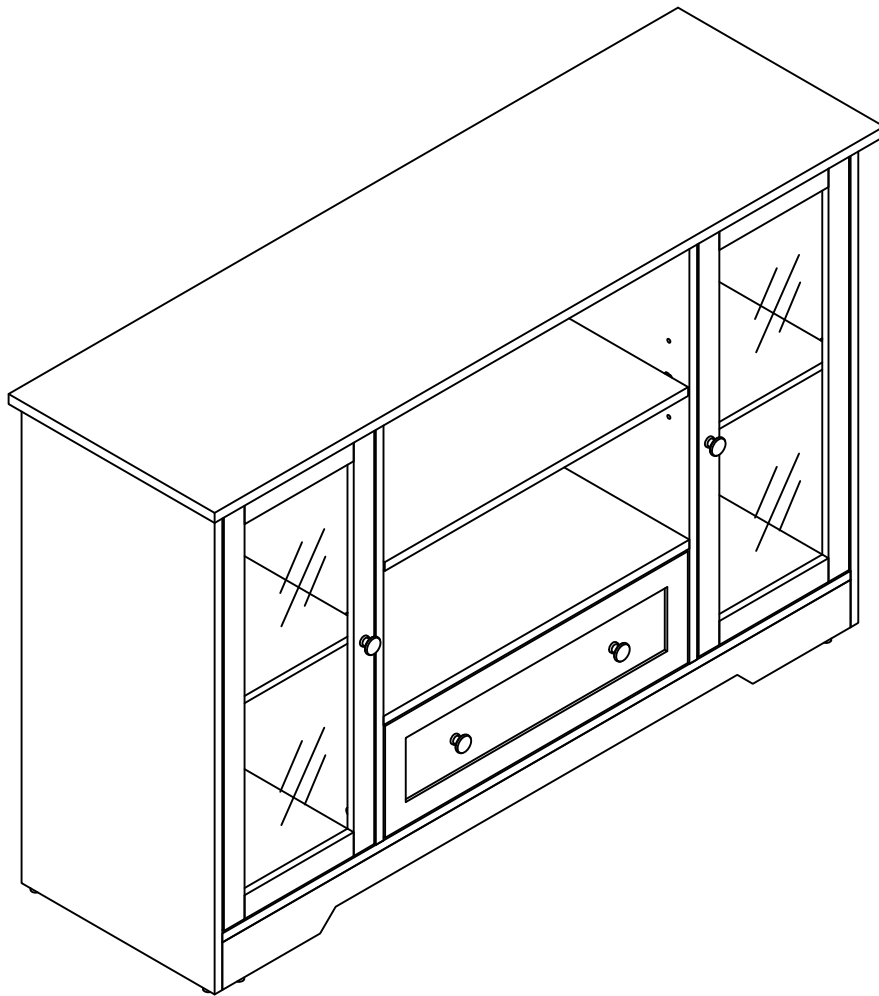


HONGMAO



ITEM NO.HMGG0003

NOTE:

This brochure contains IMPORTANT safty info. Please read and keep for future reference.

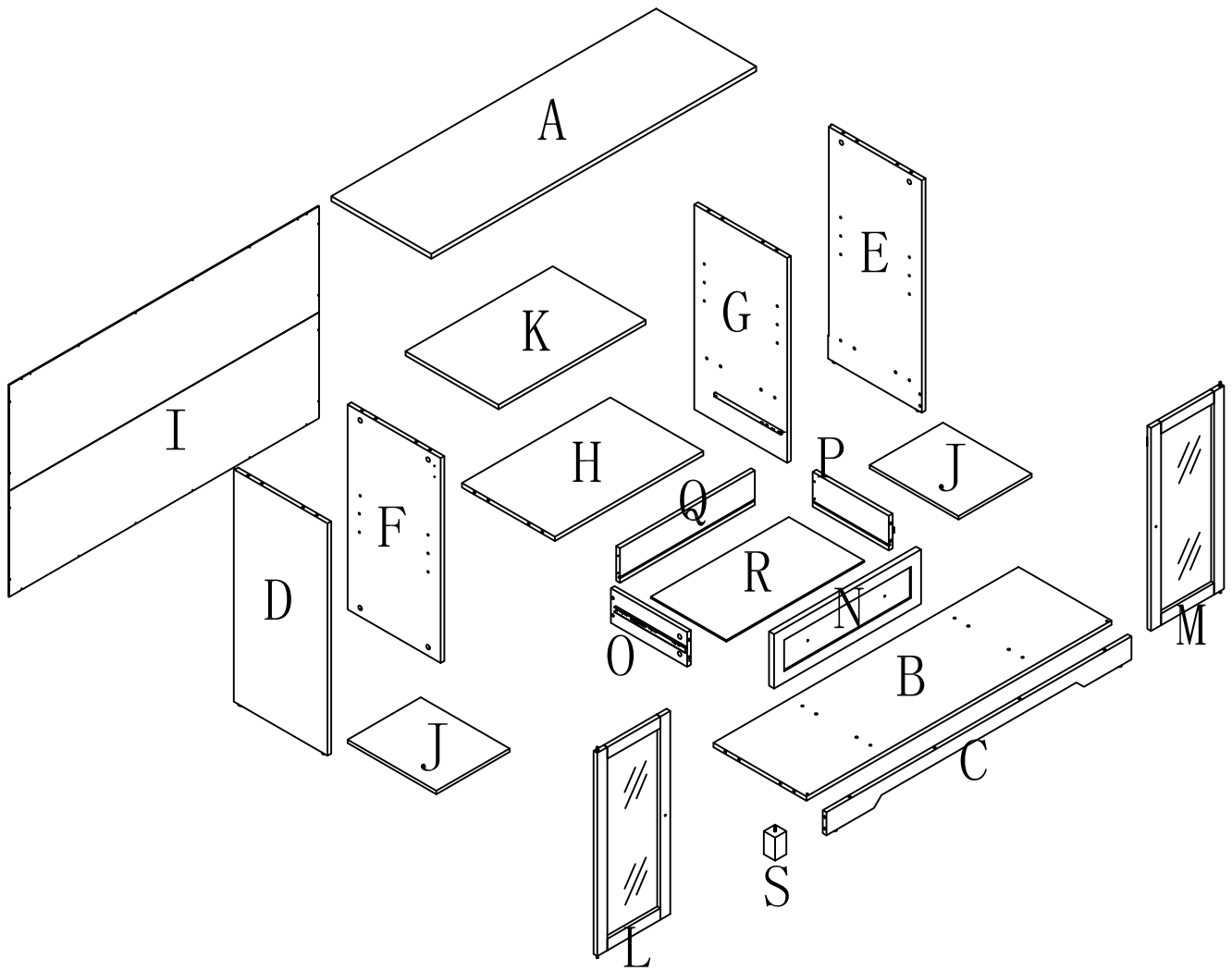
MAINTAINANCE AND WARNING

- 1.Keep furniture away from heat sources.
- 2.Do not clean furniture with harsh cleaner or polishes.Do not use detergents,solvents,abrasives,spray packs or leather cleaner. Use non-color mild soa with warm water to clean spills(Mix 1:10 soap to water).
- 3.Do not place furniture under direct sunlight,material will possibly fade over time.
- 4.Do not use on site dry cleaning machine.Children should not climb or jump on the furniture.
- 5.Do not write on furniture that is not protectedby a padded barrier.
- 6.Not for commercial use,only for residential use.

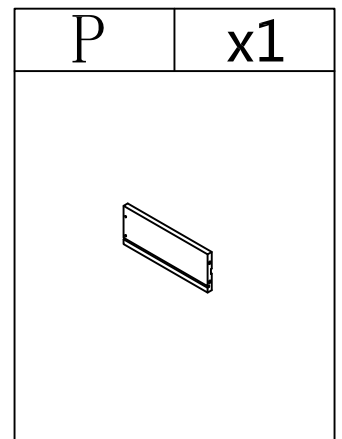
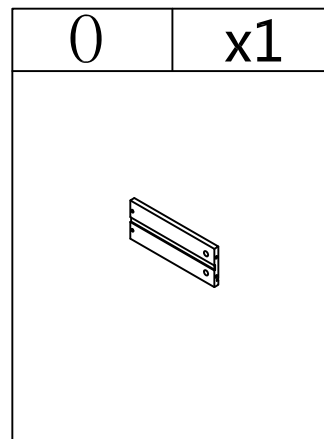
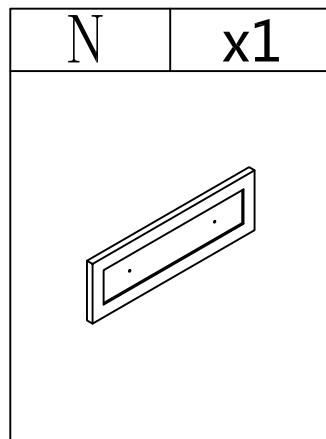
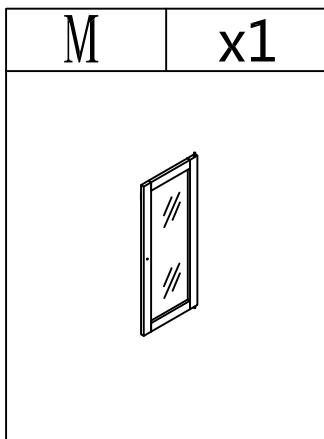
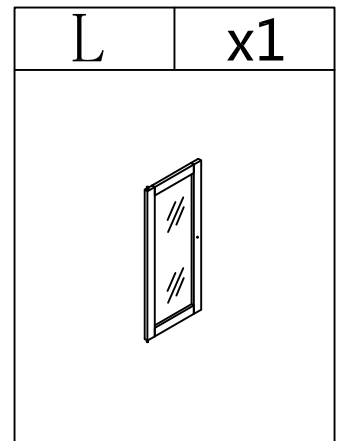
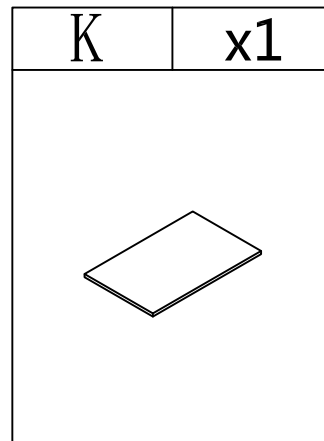
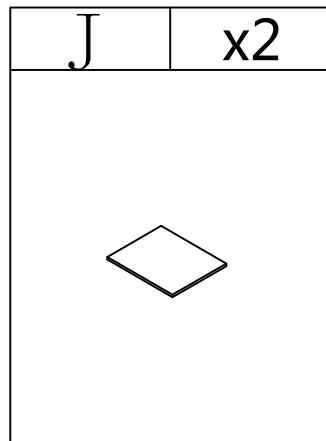
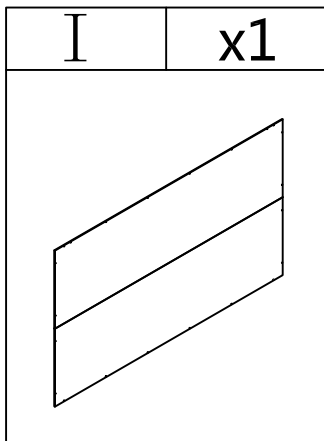
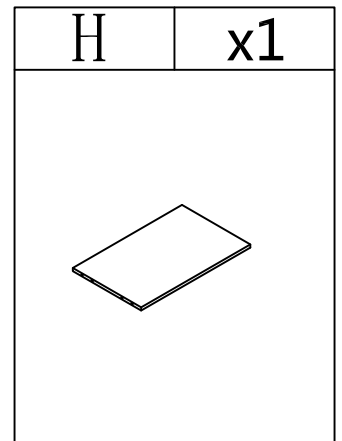
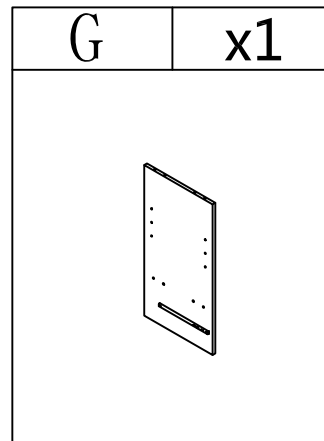
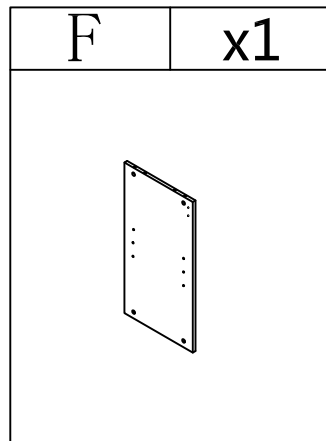
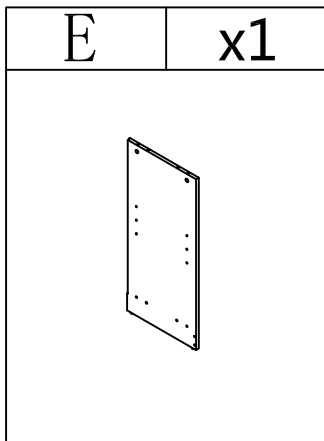
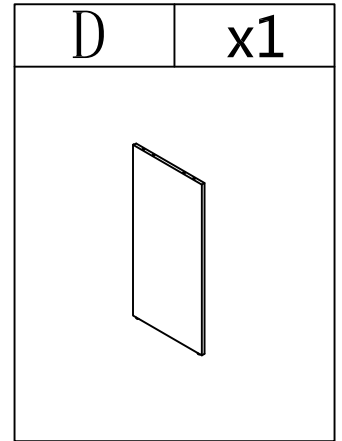
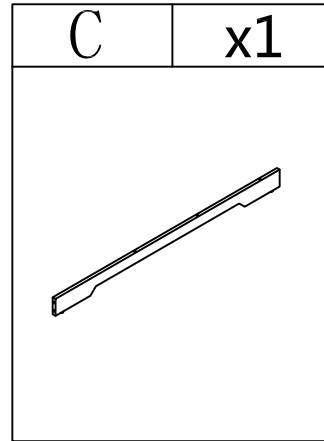
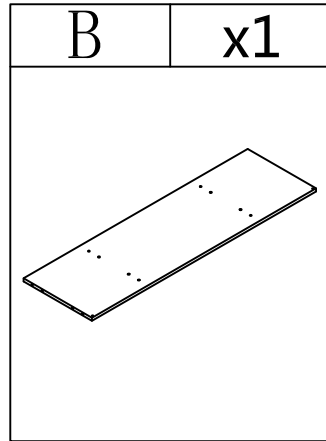
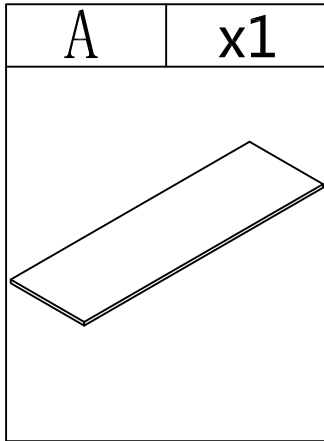


Weight Limitation
110 LBS

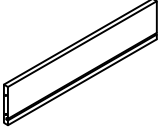
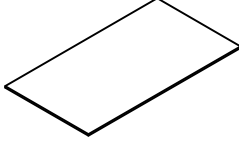

EXPLOSIVE VIEW



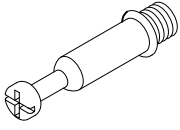
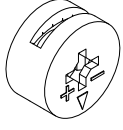
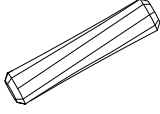
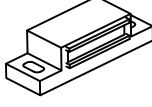
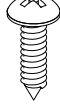
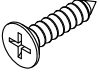
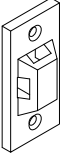
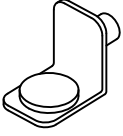
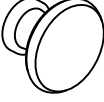
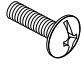
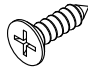
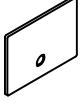
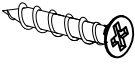

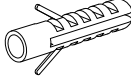


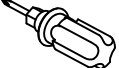
PARTS LIST



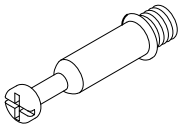
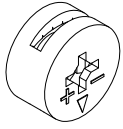
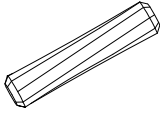
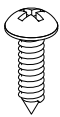
PARTS LIST

Q	x1	R	x1	S	x1
					

HARDWARE LIST

#1	x30		
#2	x30		
#3	x22		φ8*30mm
#4	x2		
#5	x22		φ3*14mm*6#
#6	x4		φ3*16mm*6#
#7	x4		
#8	x12		
#9	x4		
#10	x4		φ4*19mm
#11	x2		φ3.5*14mm*7#
#12	x2		
#13	x4		φ8#*1"
#14	x4		φ5/32"*1/2"
#15	x4		
#16	x4		φ3.5*35mm*7#
#17	x2		
#18	x1		

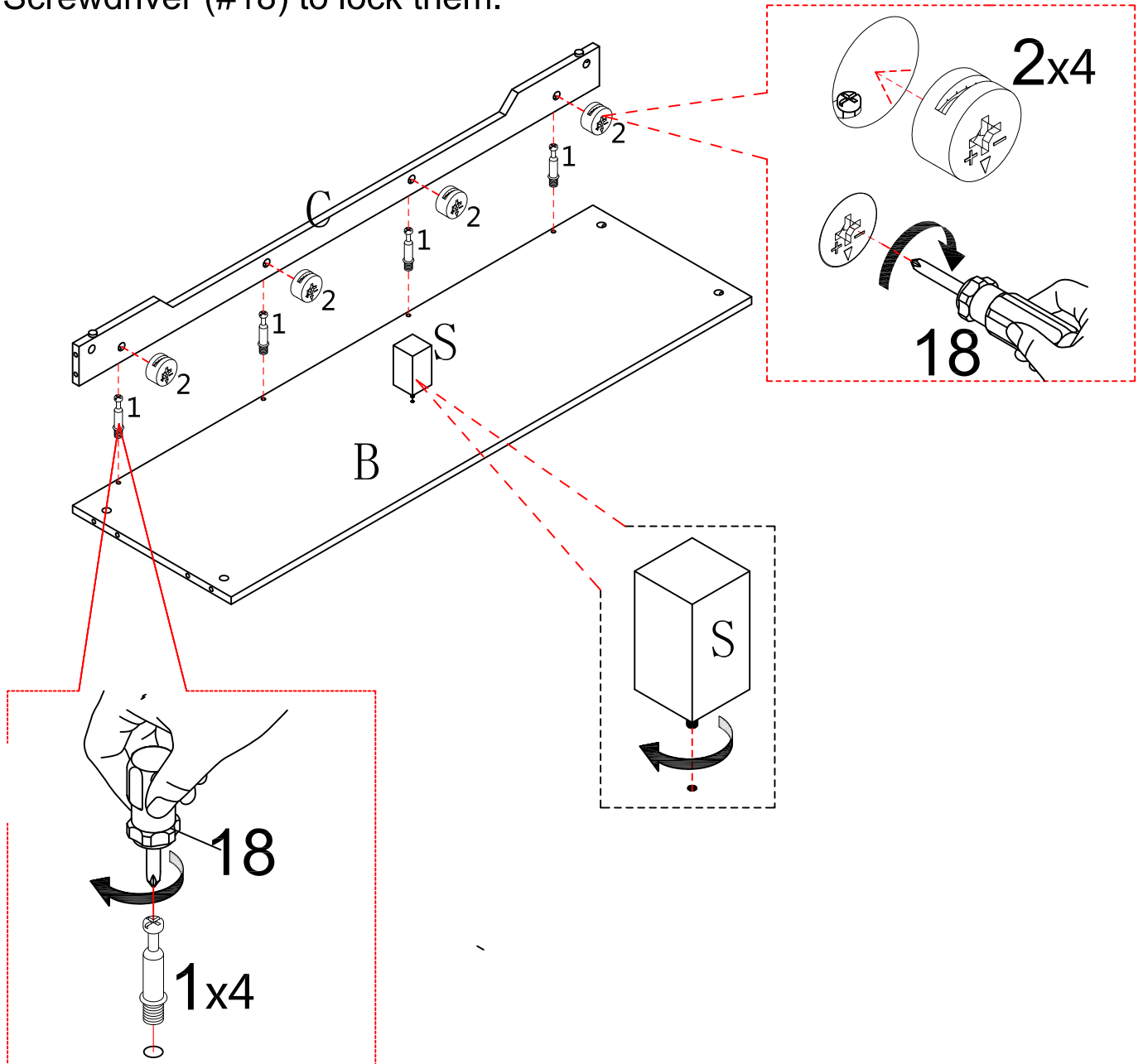
HARDWARE SPARE LIST

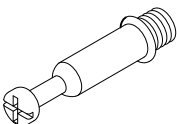
#1	x1		
#2	x1		
#3	x1		φ8*30mm
#5	x1		φ3*14mm*6#

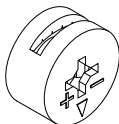
ASSEMBLY INSTRUCTIONS

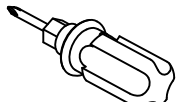
STEP-1

1. Insert 4x Bolt (#1) into the designated holes on Part (B). Tighten Bolt (#1) using Screwdriver (#18).
2. Insert 4x Cam locks (#2) into the designated holes on Part (C).using Screwdriver (#18) to lock them.



#1	x4
	

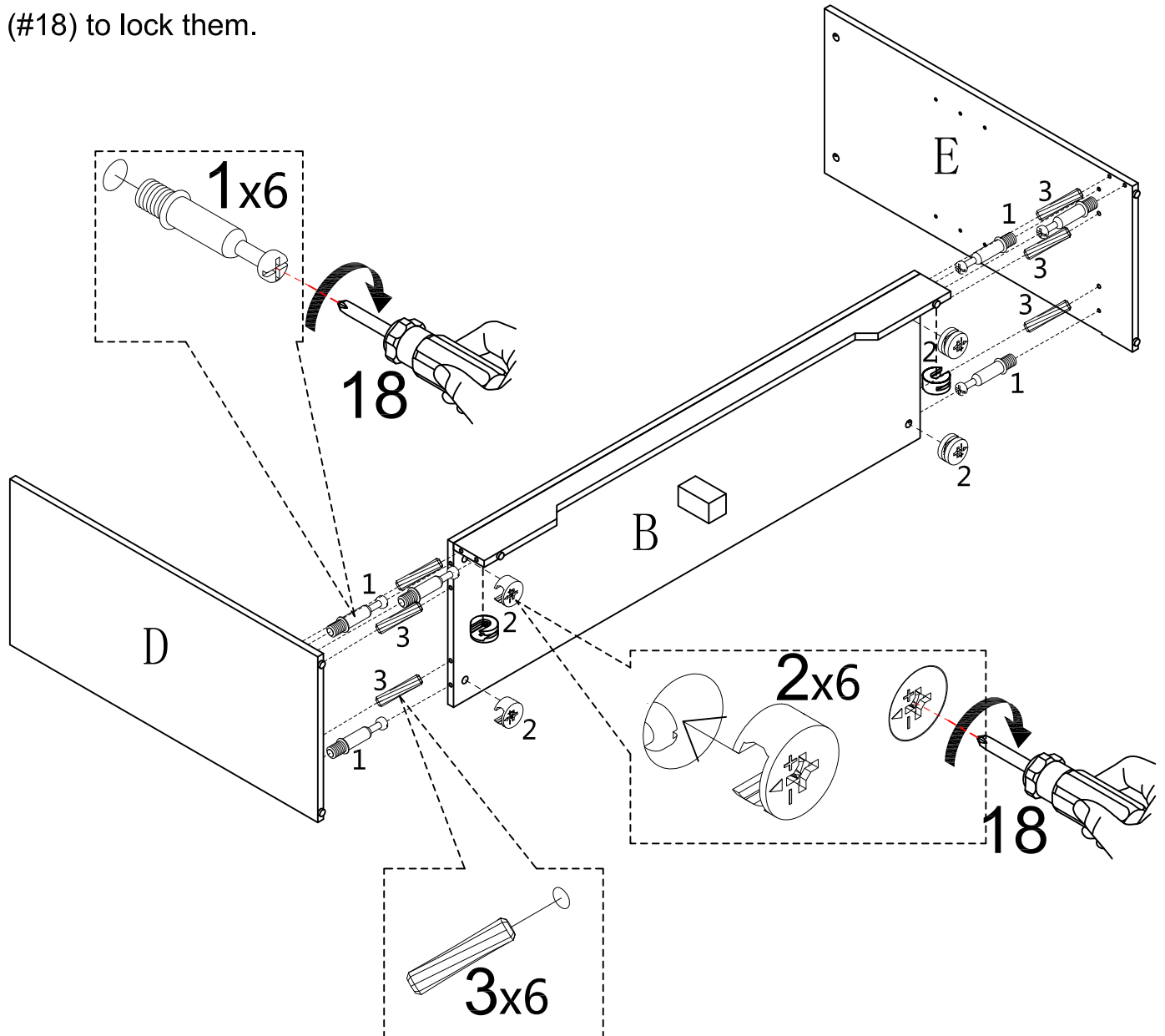
#2	x4
	

#18	x1
	

ASSEMBLY INSTRUCTIONS

STEP-2

1. Insert 6x Dowels (#3) and 6x Bolt (#1) into the alignment holes on Part (D) and (E).
2. Connect panel (D&E) into the panel (B), make sure all holes aligned and use 7x screw (#4) to attach them, tighten screw (#4) with screwdriver (#17).
3. Insert 6x Cam locks (#2) into the designated holes on Part (B), using Screwdriver (#18) to lock them.



#1	x6

#2	x6

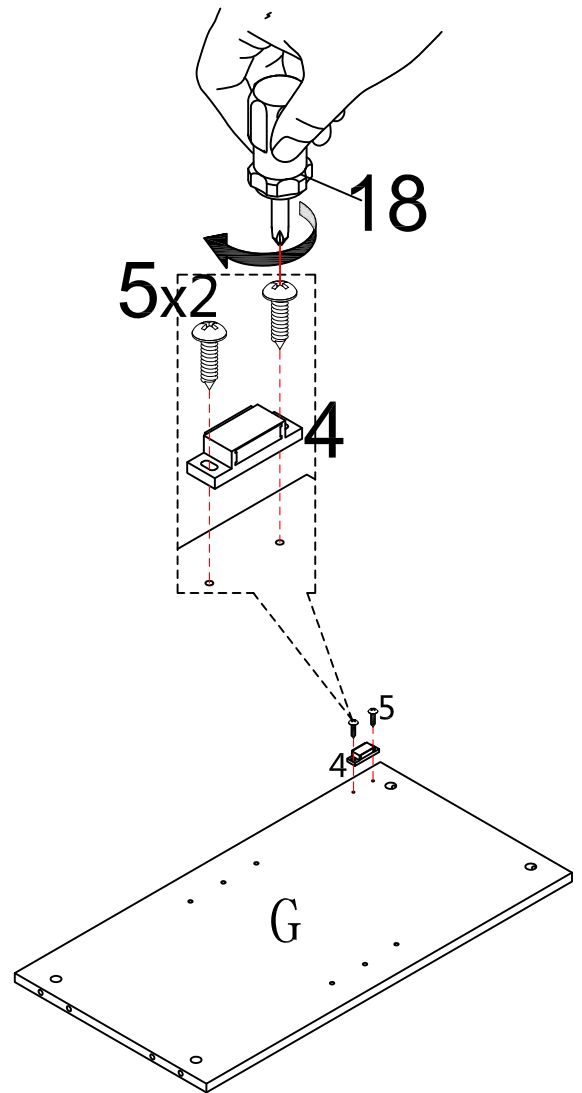
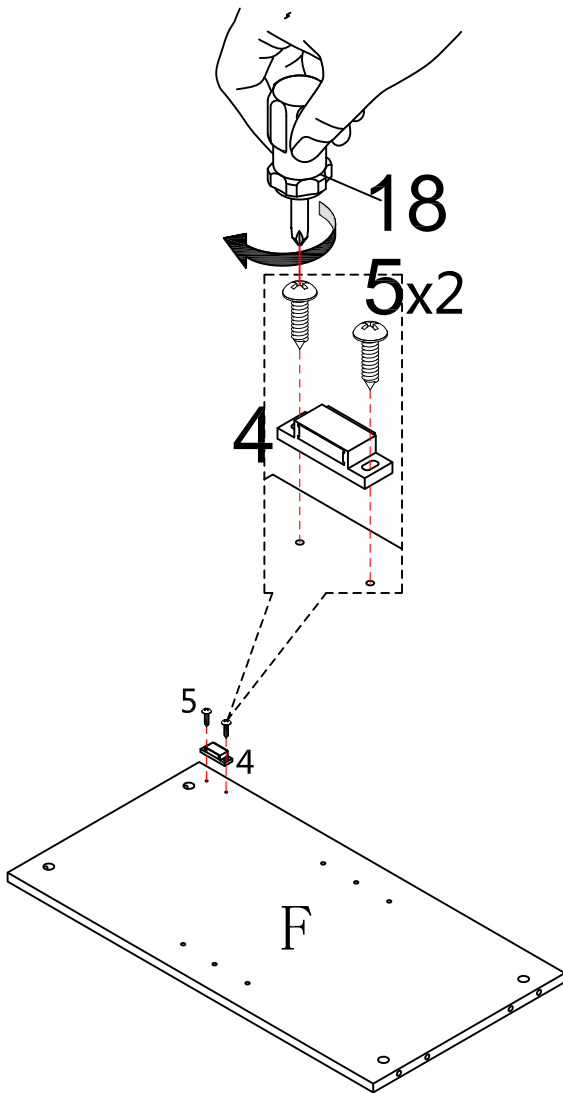
#3	x6
ø8*30mm	

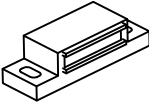
#18	x1


ASSEMBLY INSTRUCTIONS

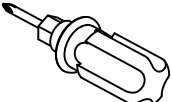
STEP-3

1. Connect 1x Magnetic catch (#4) in to the part (F) and use 2x screw(#5)to attach them,tighten screw (#5) with screwdriver (#18).
2. Connect 1x Magnetic catch (#4) in to the part (G) and use 2x screw(#5)to attach them,tighten screw (#5) with screwdriver (#18).



#4	x2
	

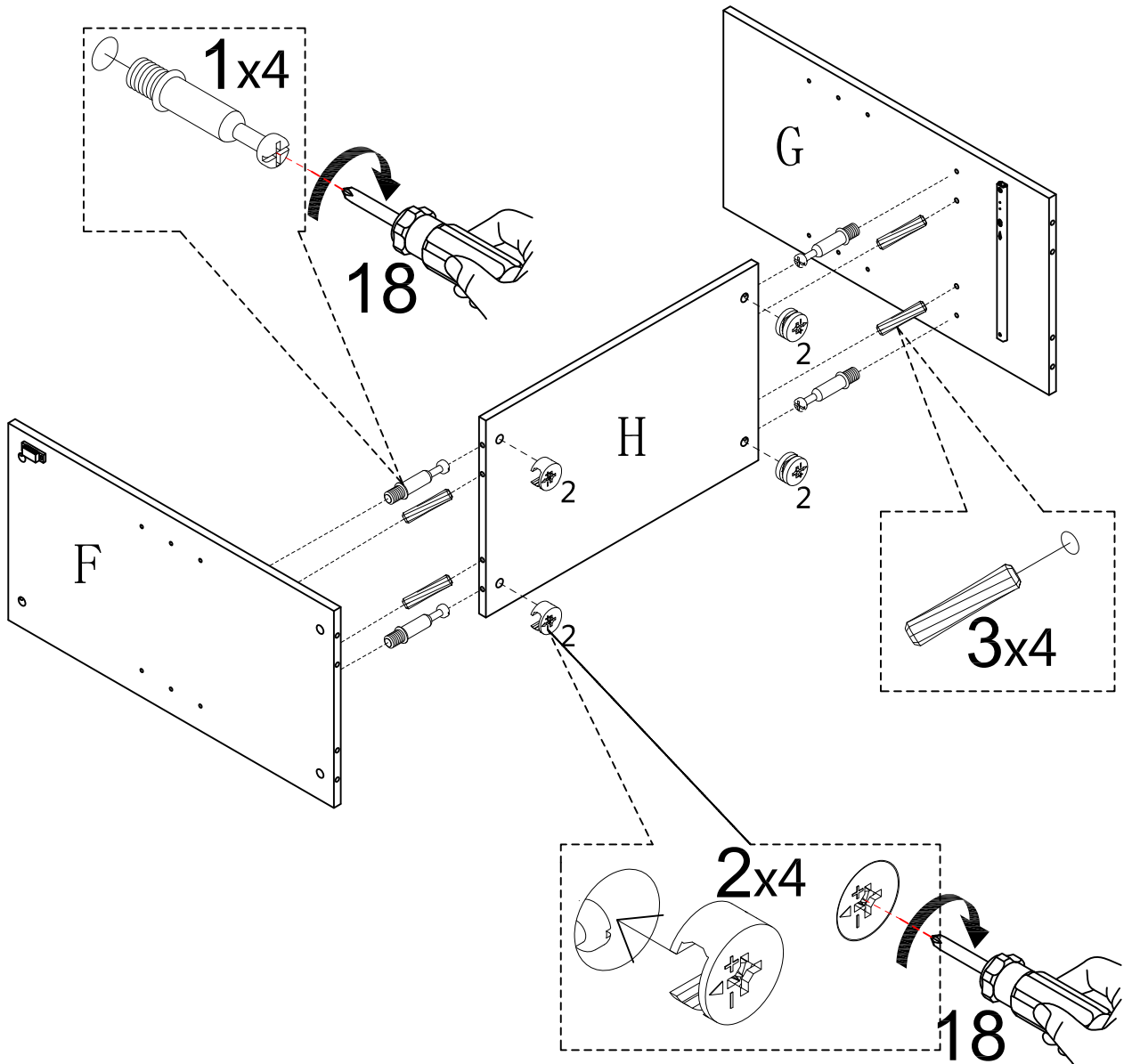
#5	x4
	
ø3*14mm*6#	

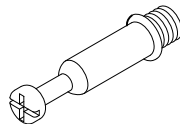
#18	x1
	

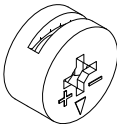
ASSEMBLY INSTRUCTIONS

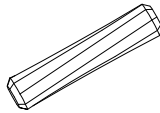
STEP-4

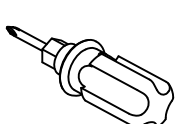
1. Insert 4x Bolt (#1) into the designated holes on Part (F) & (G). Tighten Bolt (#1) using Screwdriver (#18).
2. Insert 4x Dowels (#3) and into the alignment holes on Part (F) and (G).
3. Connect panel (F&G) into the panel (H), make sure all holes aligned and Insert 4x Cam locks (#2) into the designated holes on Part (H). using Screwdriver (#18) to lock them.



#1	x4
	

#2	x4
	

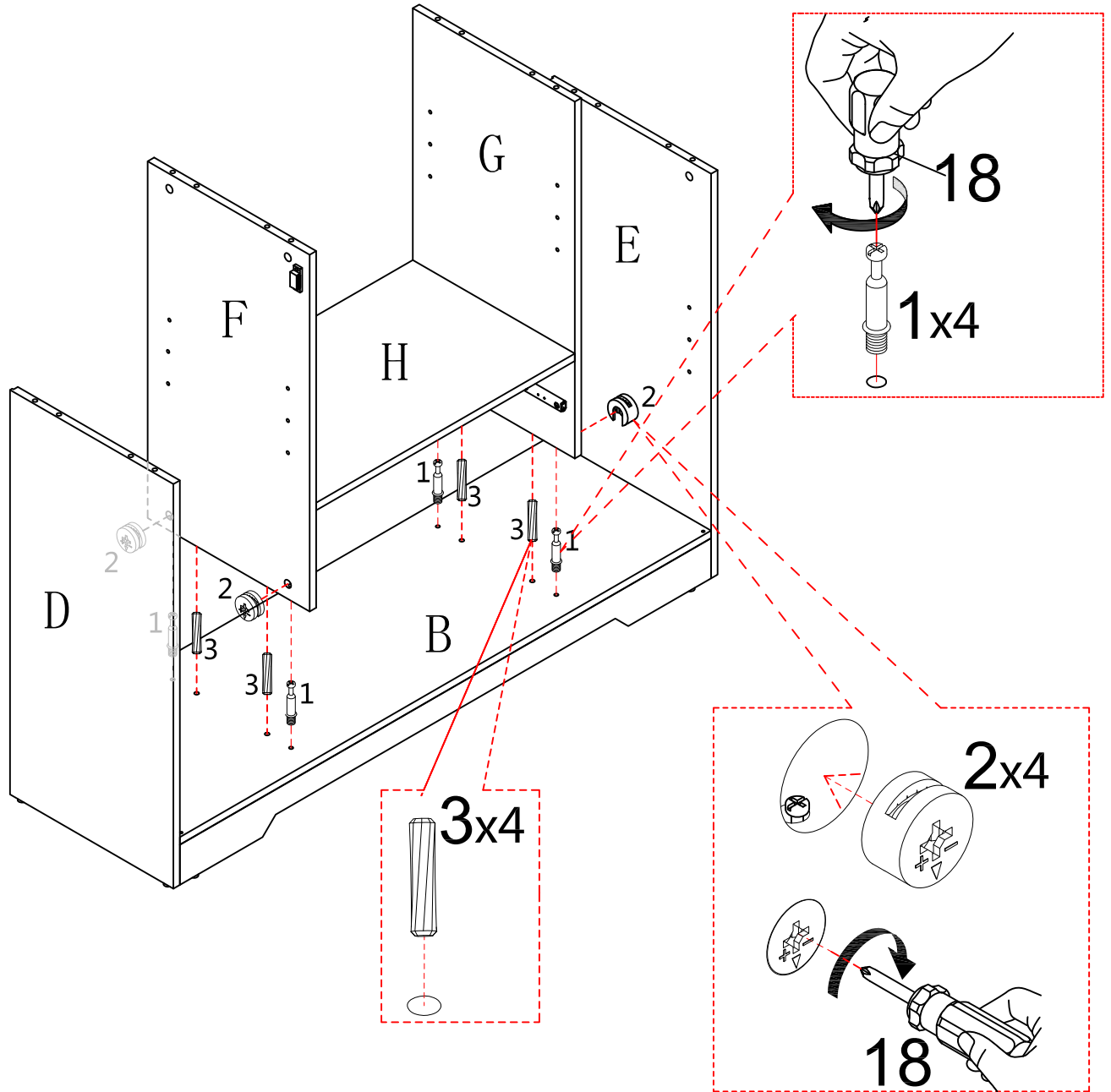
#3	x4
	
ø8*30mm	

#18	x1
	

ASSEMBLY INSTRUCTIONS

STEP-5

1. Insert 4x Bolt (#1) into the designated holes on Part (B). Tighten Bolt (#1) using Screwdriver (#18).
2. Insert 4x Dowels (#3) into the alignment holes on Part (B).
3. Connect panel (F&G&H) into the panel (B), make sure all holes aligned and Insert 4x Cam locks (#2) into the designated holes on Part (F&G&H). using Screwdriver (#18) to lock them.



#1	x4

#2	x4

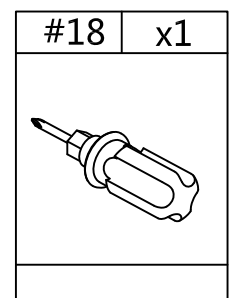
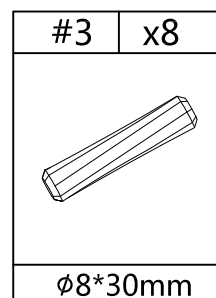
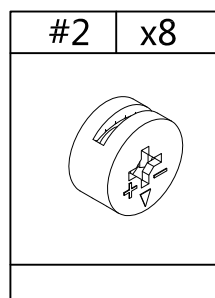
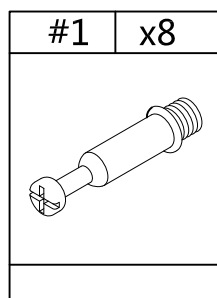
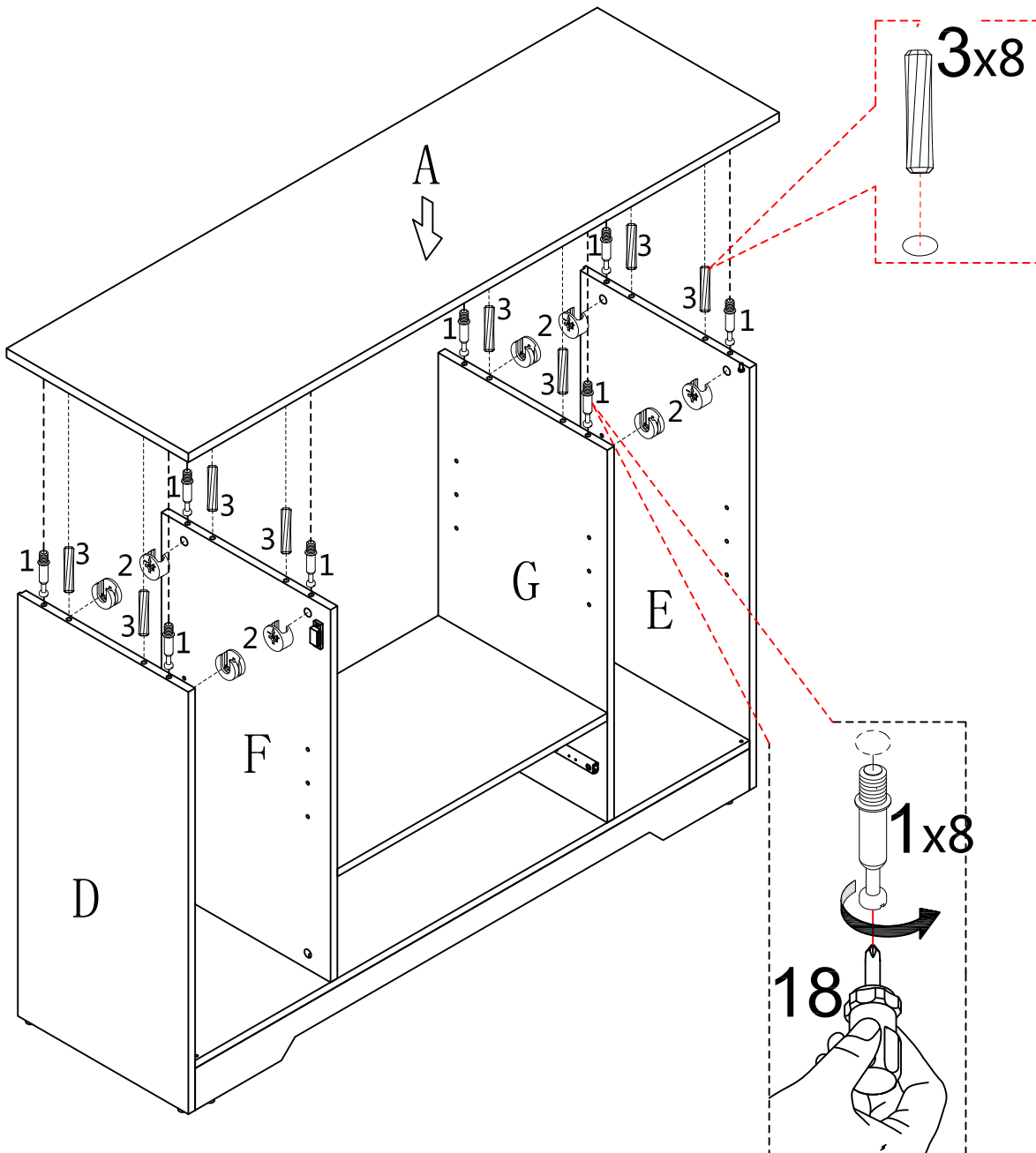
#3	x4
ø8*30mm	

#18	x1

ASSEMBLY INSTRUCTIONS

STEP-6

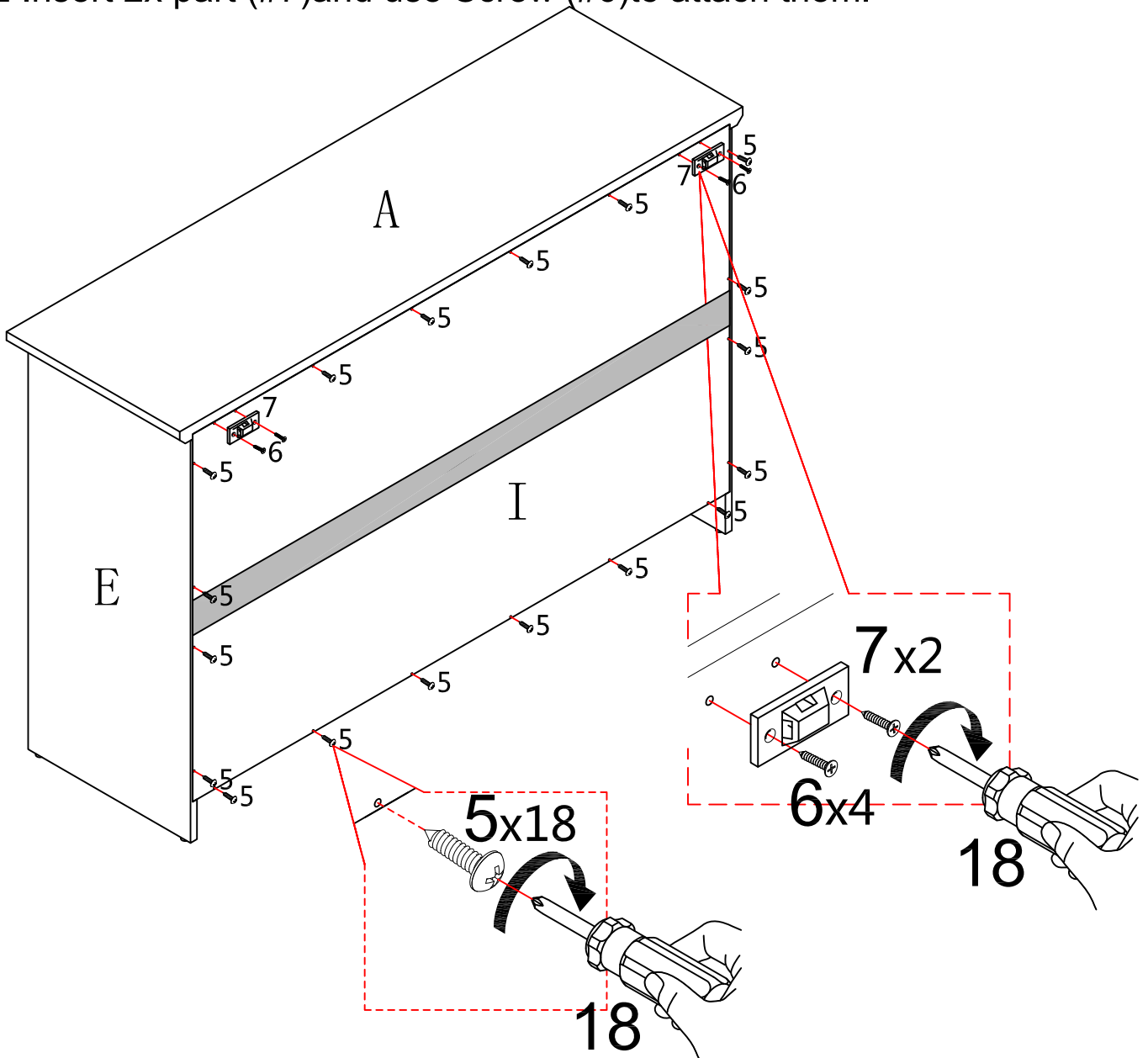
1. Insert 8x Bolt (#1) into the designated holes on Part (A). Tighten Bolt (#1) using Screwdriver (#18).
2. Insert 8x Dowels (#3) into the alignment holes on Part (D&F&G&E).
3. Connect panel (A) into the panel (D&F&G&E), make sure all holes aligned and Insert 4x Cam locks (#2) into the designated holes on Part (D&F&G&E). using Screwdriver (#18) to lock them.

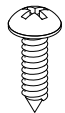



ASSEMBLY INSTRUCTIONS

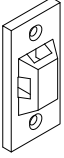
STEP-7

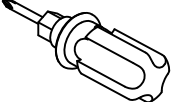
1. Insert back panel (I) into the groove of preassembled step 6, make sure all holes aligned and use 18x Screw (#5) to attach them, tighten screw (#5) with screwdriver (#18)
- 2 Insert 2x part (#7) and use Screw (#6) to attach them.



#5	x18
	
ø3*14mm*6#	

#6	x4
	
ø3*16mm*6#	

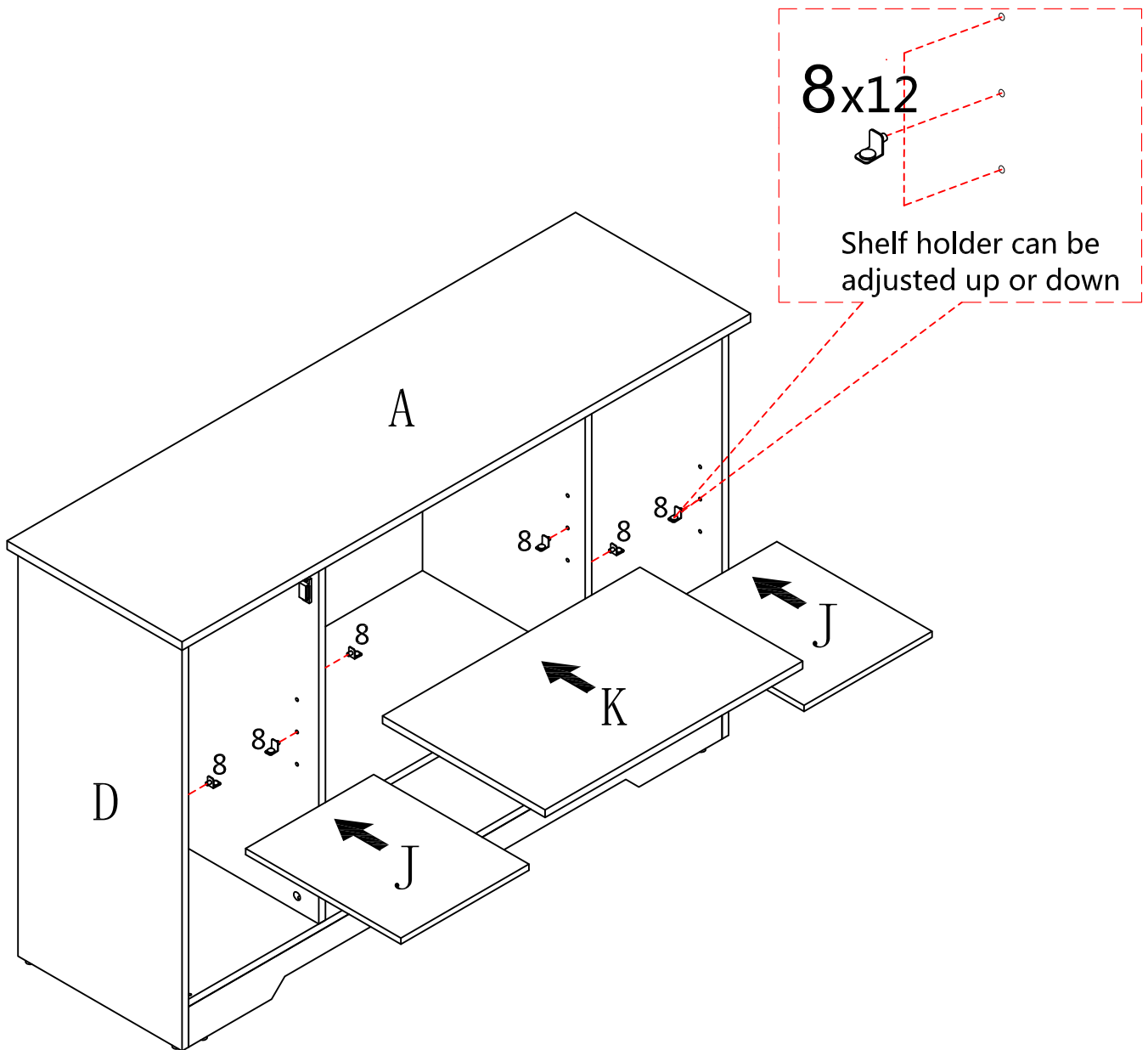
#7	x2
	

#18	x1
	

ASSEMBLY INSTRUCTIONS

STEP-8

1. Push 12x Shelf holder (#8) into the matching holes.
2. Place 2x panel (J) and 1x panel (K) on each top of shelf holder (#8).



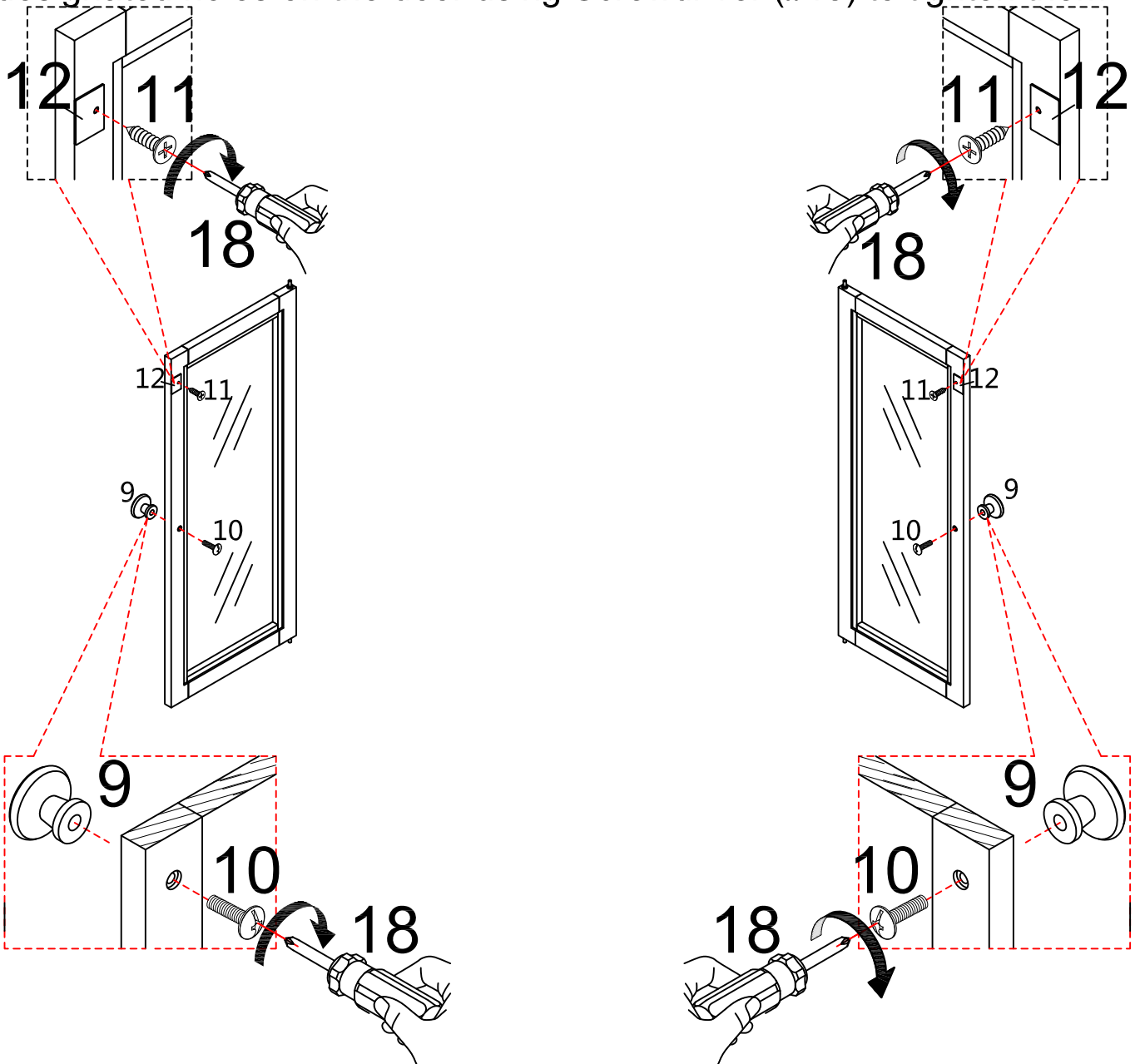
#8	x12

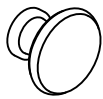
ASSEMBLY INSTRUCTIONS

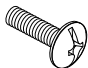
STEP-9


1. Insert 2x Iron plate (#12) into the door using 2x screw (#11) to attach them, tighten screw (#11) with screwdriver (#18).

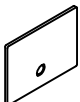
2. Connect 2x door handle on the door insert 2x screw (#10) into the designated holes on the door. using Screwdriver (#18) to tighten them.

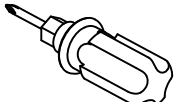


#9	x2
	

#10	x2
	
ø4*19mm	

#11	x2
	
ø3.5*14mm*7#	

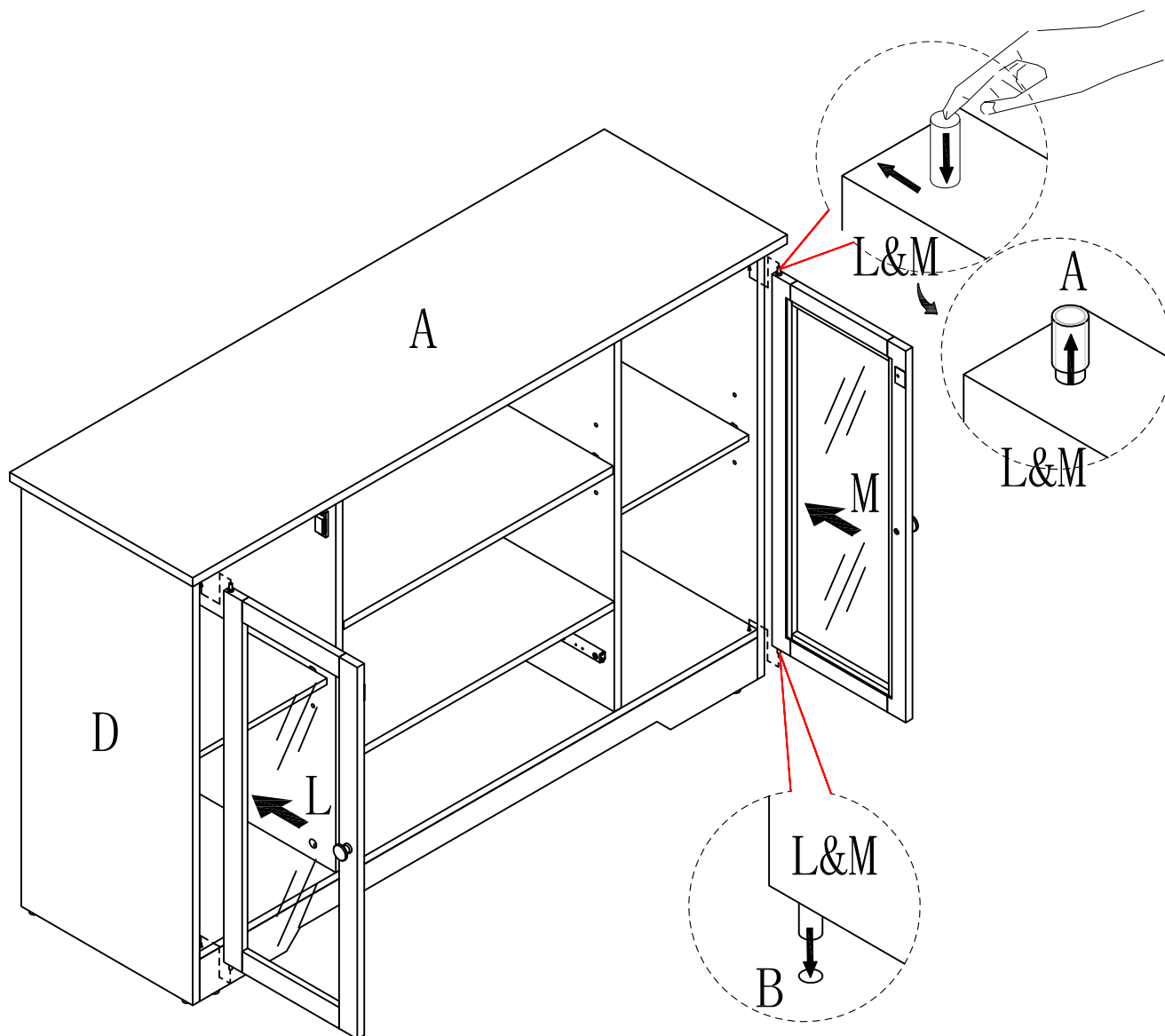
#12	x2
	

#18	x1
	

ASSEMBLY INSTRUCTIONS

STEP-10

1. Move door (L&M) to corresponding position of side panel, make sure all holes aligned and then push the locker down and make sure put in to the hole.



ASSEMBLY INSTRUCTIONS

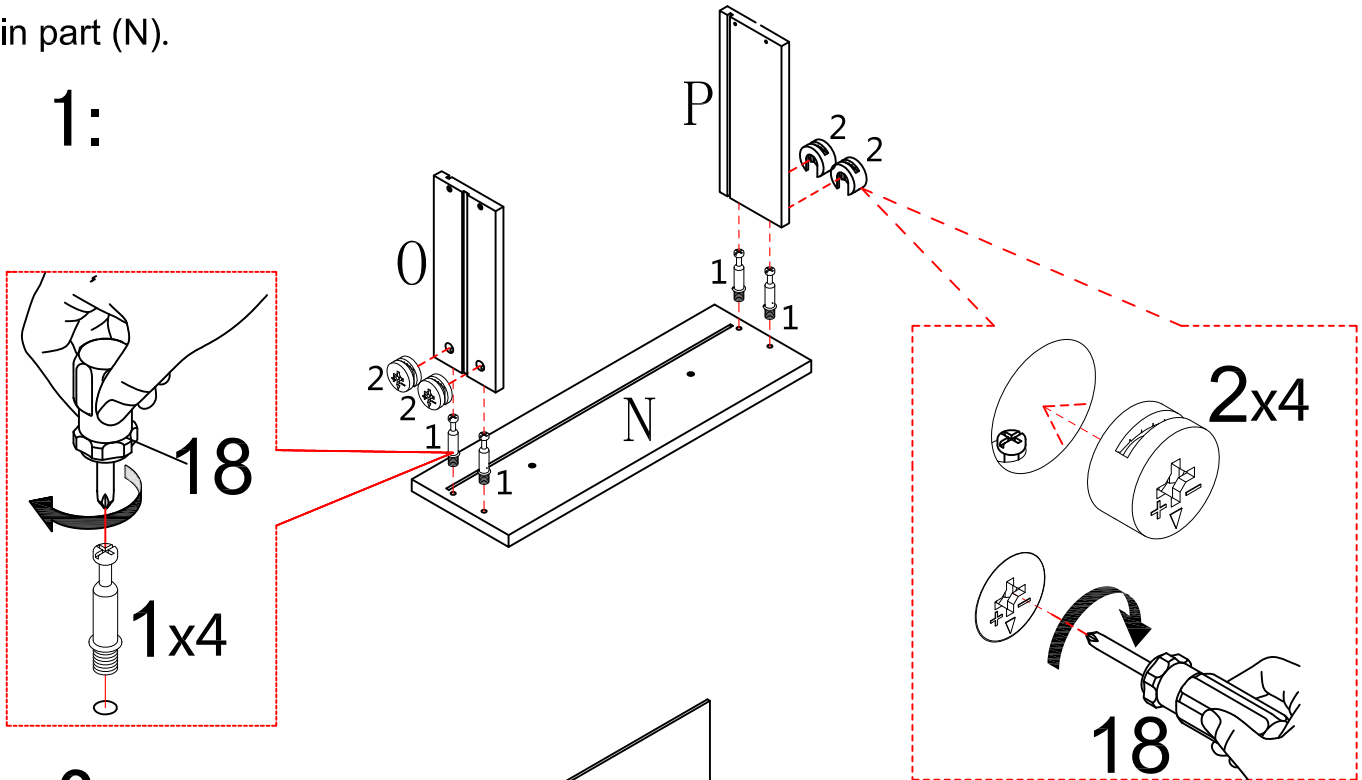
STEP-11

1. Insert 4x Bolt (#1) into the designated holes on Part (N). Tighten Bolt (#1) using Screwdriver (#18).

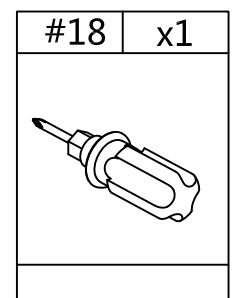
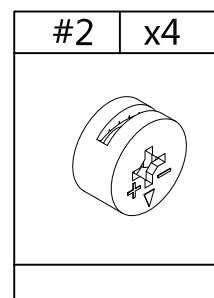
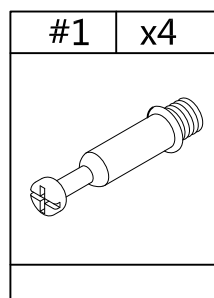
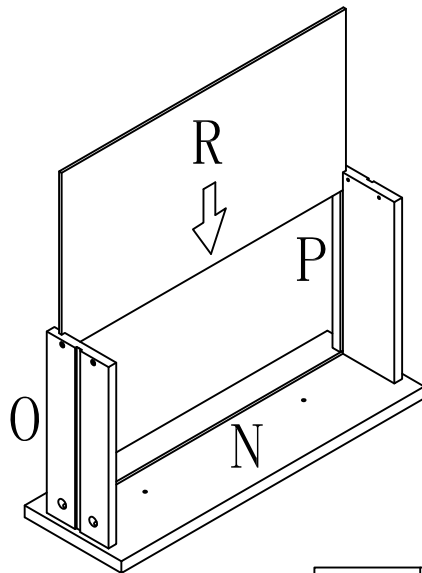
2. Connect part (O&P) to part (N), And then Insert 4x Cam locks (#2) into the designated holes on Part (O&P).using Screwdriver (#18) to lock them.

3. slide in the part (R) into the groove in part (O&P) make sure they are also in groove in part (N).

1:



2:

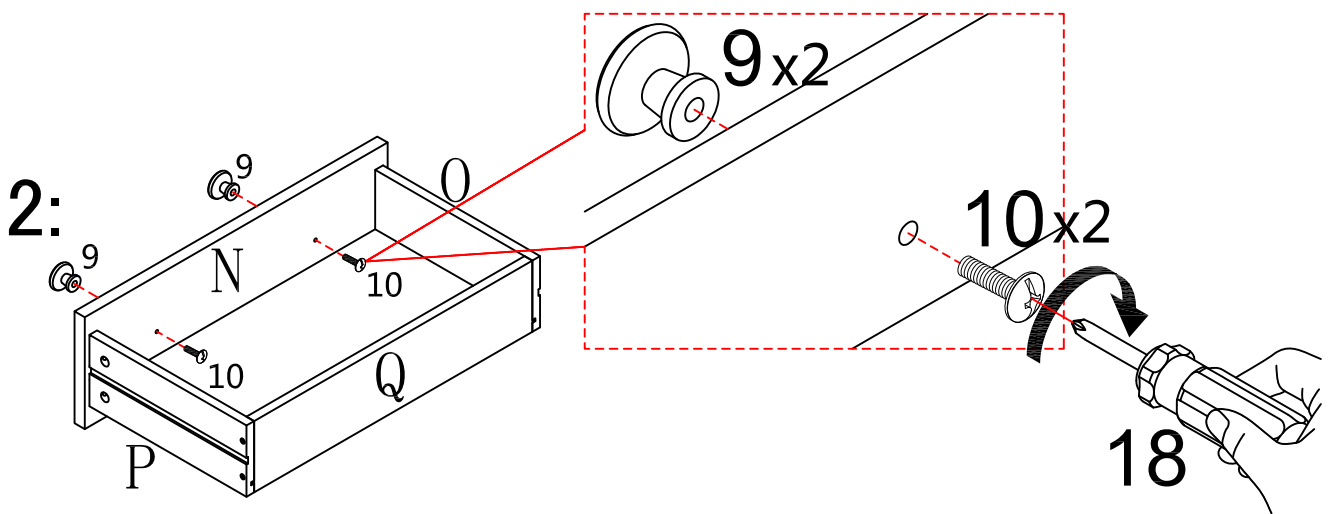
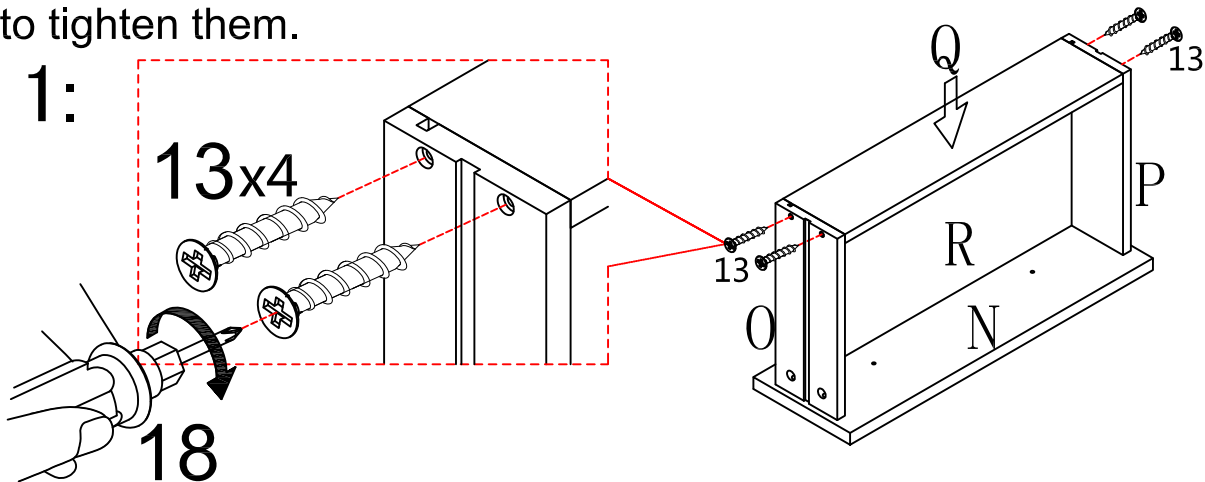


ASSEMBLY INSTRUCTIONS

STEP-12

1. Connect the (Q) connection (O&P) Using 4x screw (#13) and tighten it with screwdriver (#18)

2. Connect 2x door handles on the drawer front insert 2x screw (#10) into the designated holes on the drawer front. using Screwdriver (#18) to tighten them.

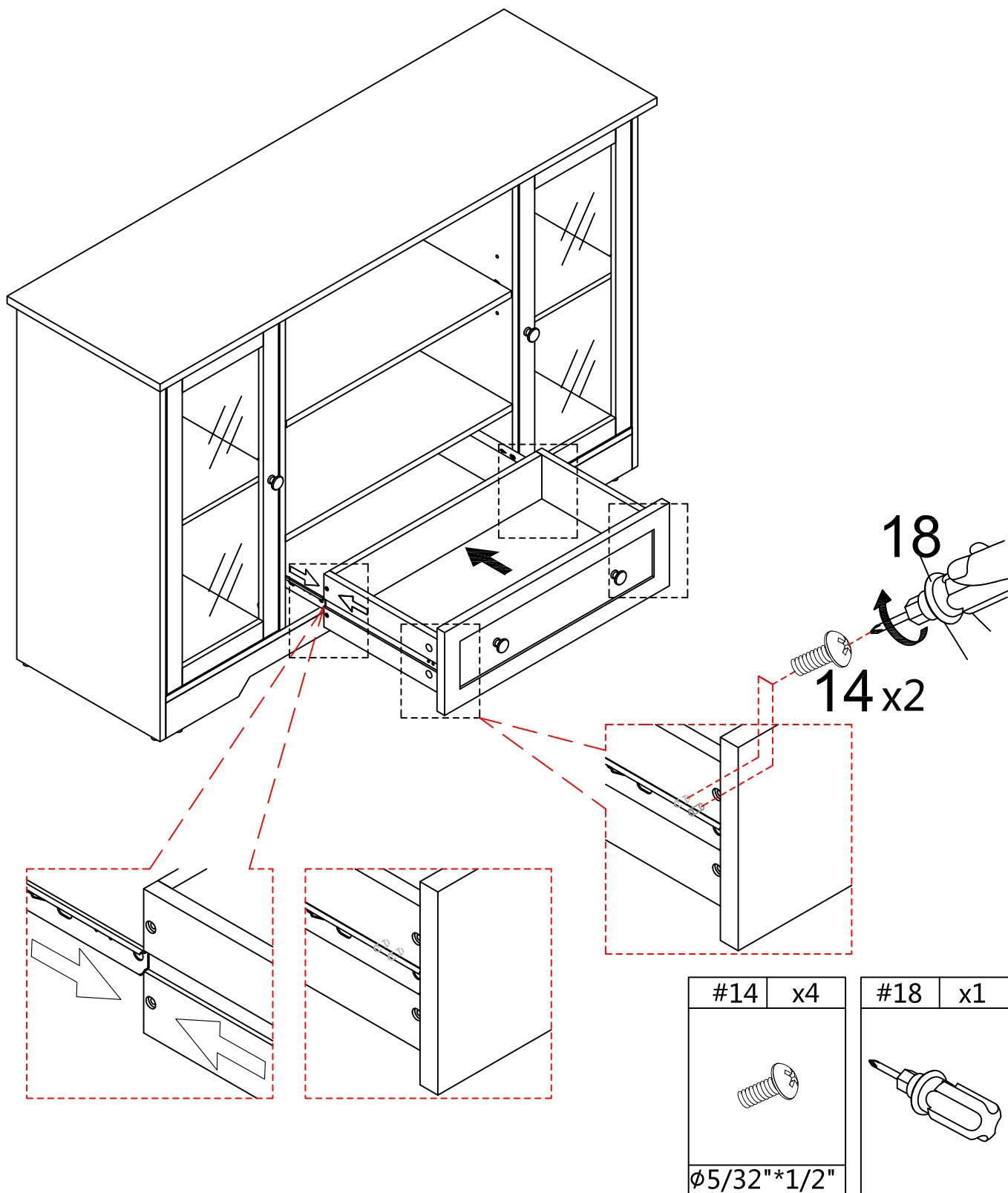


#9	x2	#10	x2	#13	x4	#18	x1
		ø4*19mm		ø8#*1"			

ASSEMBLY INSTRUCTIONS

STEP-13

1. Push the Drawer into the table and then using 4x screw (#14) to attach them, tighten screw (#14) with screwdriver (#18).

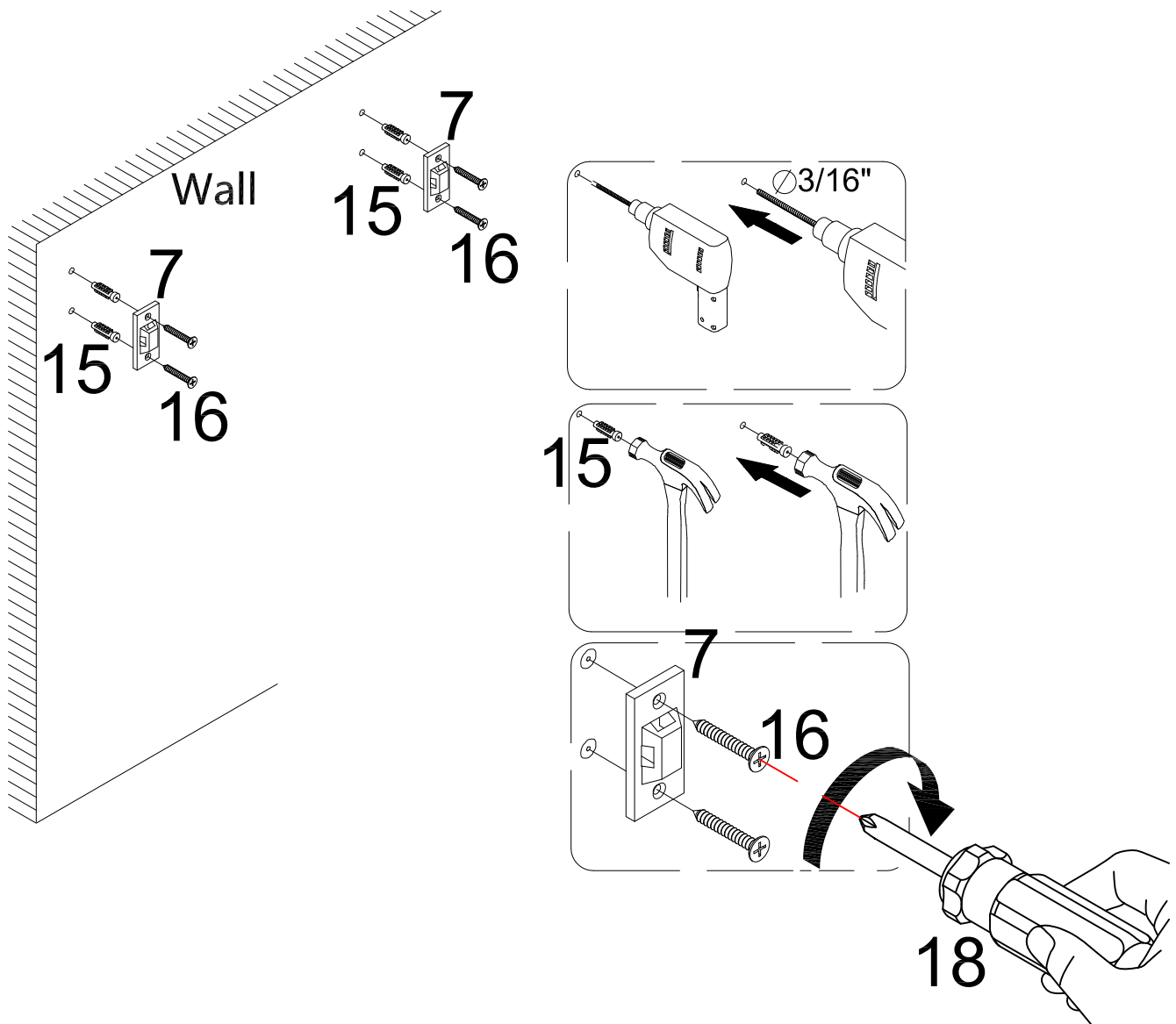


ASSEMBLY INSTRUCTIONS

STEP-141. Install the anti-collapse device.

2. Make the position on the wall, that corresponds to the location of part (#7) on the Top panel. Drill and insert the expandable screw part (#15) by hammer.

3. Assemble the part (#15) to the wall, Align the hole in the part (#7)



#7	x2

#15	x4

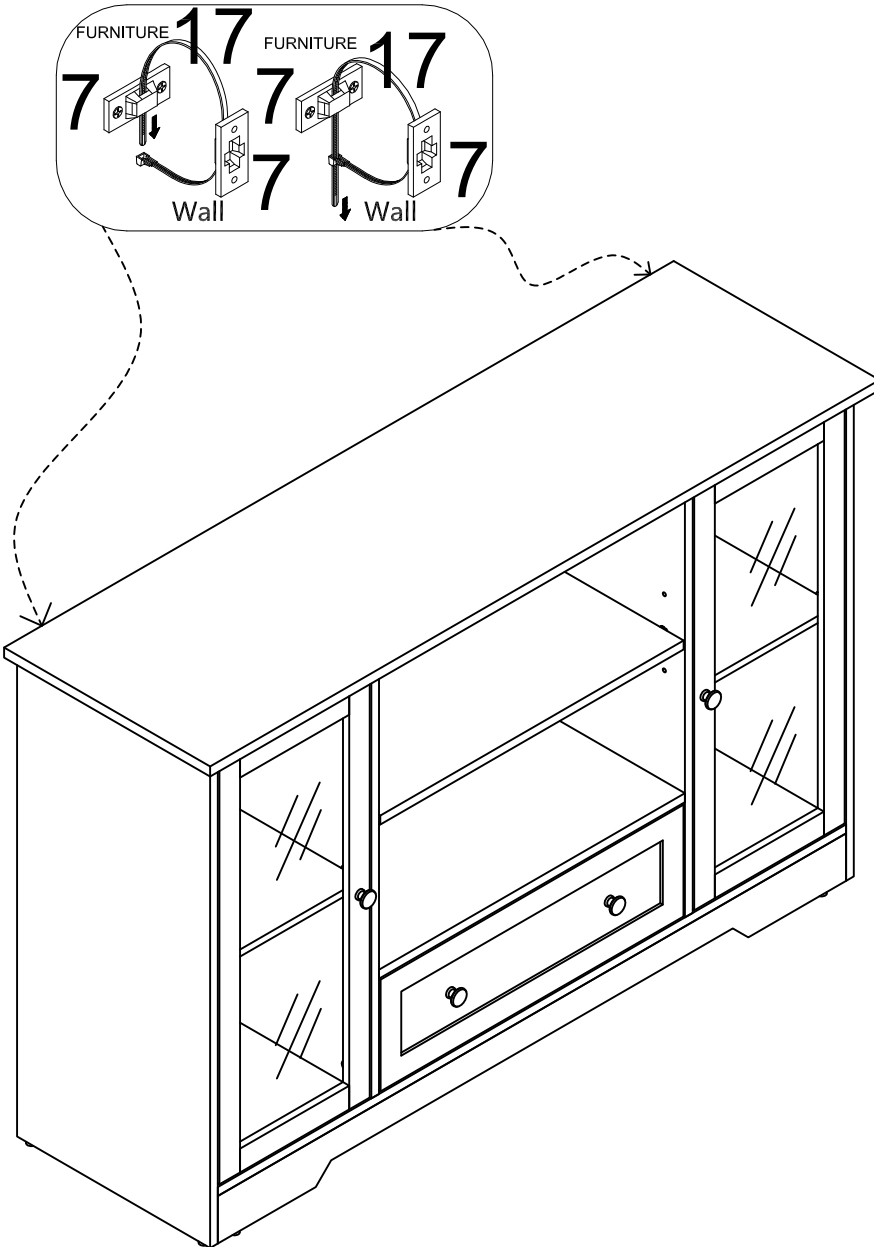
#16	x4
$\varnothing 3.5 \times 35 \text{mm} \times 7\#$	


#18	x1

ASSEMBLY INSTRUCTIONS

STEP-15

1. Let the plastic belt (#17) pass through the both part (#7) and pull tightly.



#17	x2
	

WARRANTY

1. We strive to offer high-quality products, and we also try our best to satisfy each and every customer that orders from us with product or service as needed.
2. We provide 30 days warranty starting from the time you receive the item. Each customer must provide a record of their order such as the order number, or item receipt for any items that are out of the warranty period you may also still receive.
3. Replacement parts by purchasing them with our company if they are available.

Are you having difficulty
With assembly? Missing parts?
Please send email with your order No to
hubeihongmao@163.com
For return, please check the return policy with
the retailer or market place you bought from.

Appreciate your purchasing from us.
Pop up your life by our furniture piece!