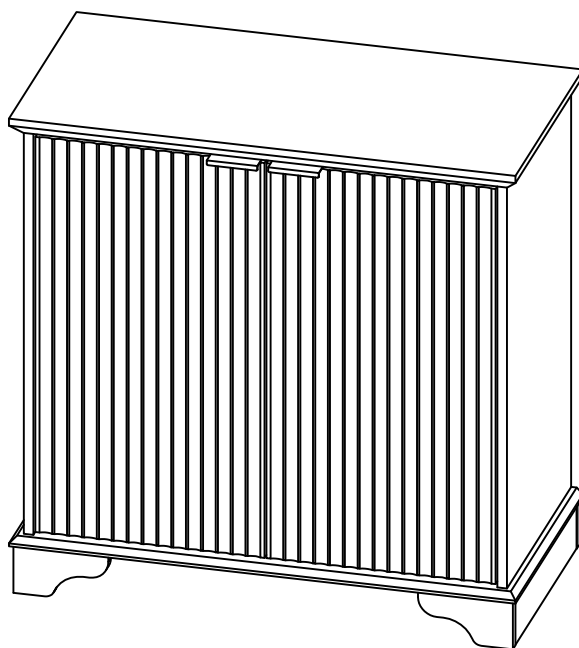
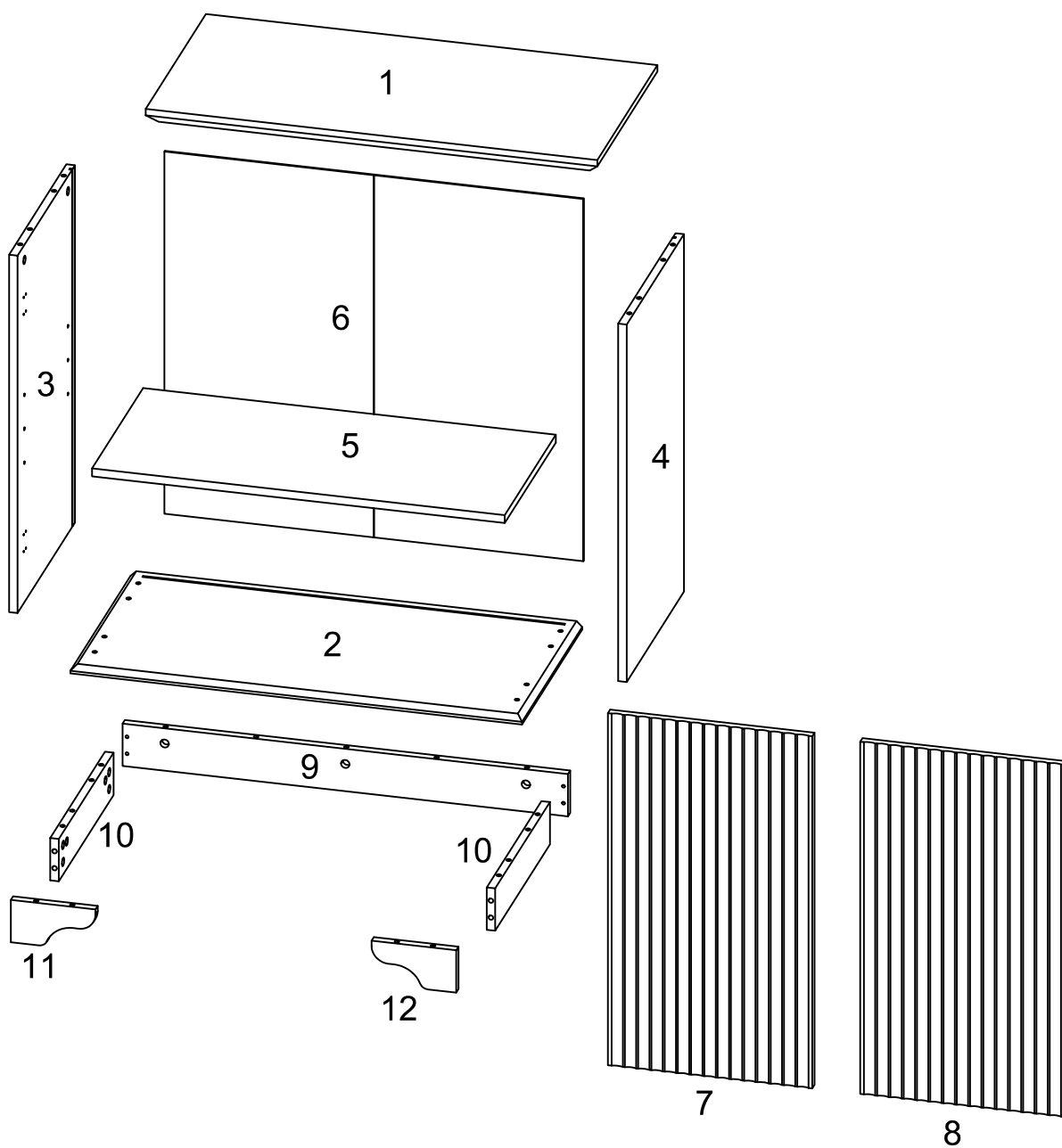




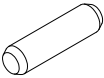
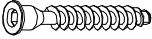

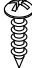



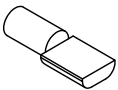



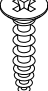


# Installation & Assembly



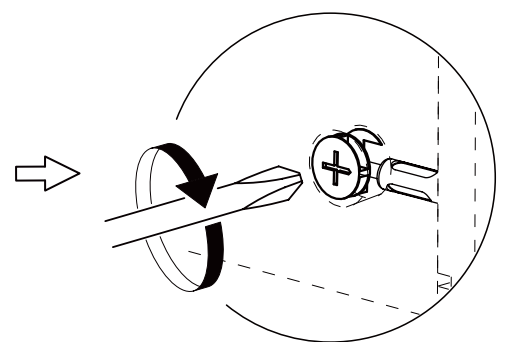
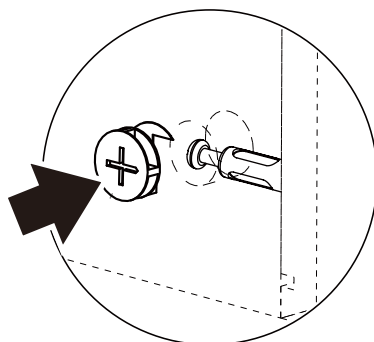
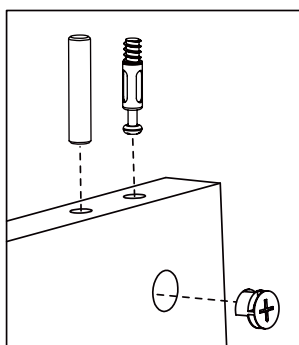
# EXPLODED DRAWING



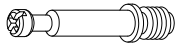
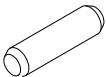


# PARTS

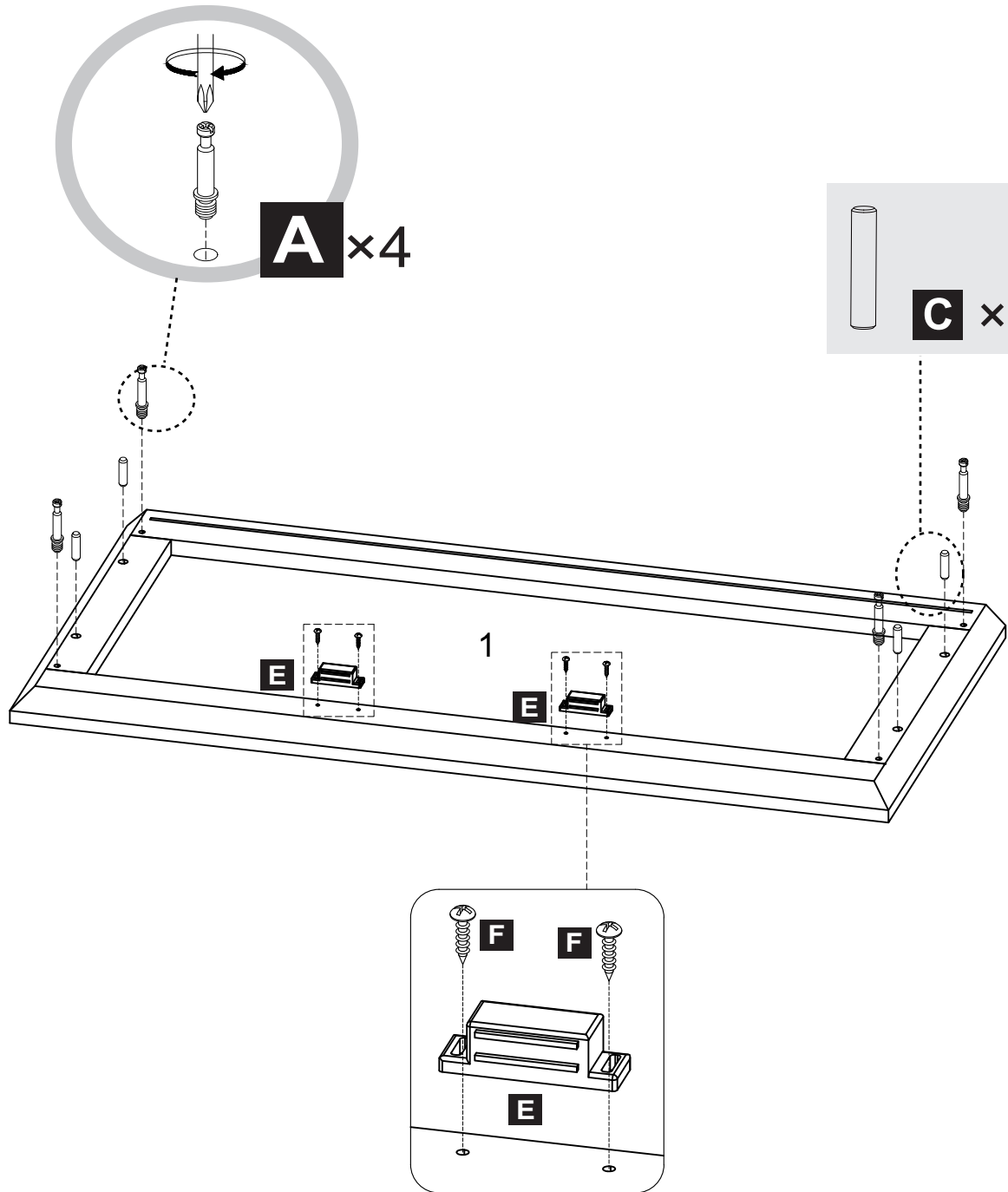
	<b>A</b> × 23		<b>B</b> × 23 Ø15 × 12		<b>C</b> × 14 Ø8 × 30		<b>D</b> × 4 M7 × 50
	<b>E</b> × 2		<b>F</b> × 4 Ø3 × 16		<b>G</b> × 9 Ø15 × 3		<b>H</b> × 6
	<b>J</b> × 10 Ø3 × 12		<b>K</b> × 4		<b>L</b> × 2 80		<b>M</b> × 2
	<b>N</b> × 4		<b>P</b> × 28 Ø3.5 × 12		<b>Q</b> × 2 Ø13    Ø4 × 14    Ø4 × 35		<b>R</b> × 1 M4

## MINIFIX POSITION

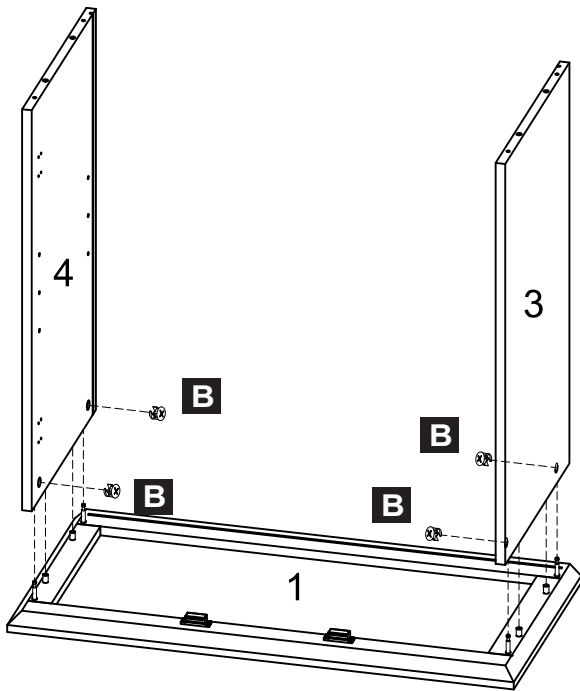



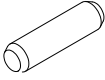
1

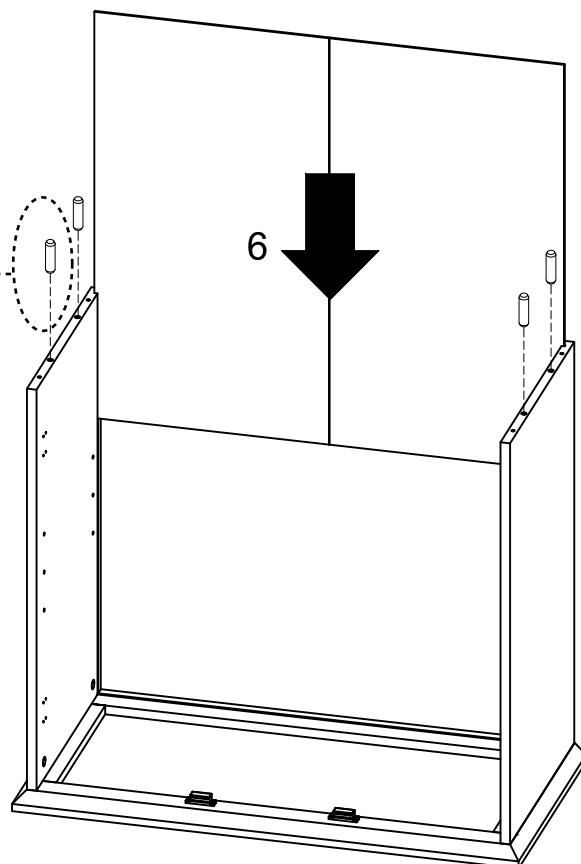
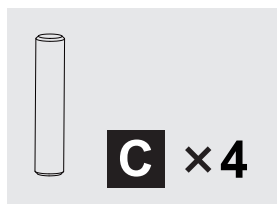
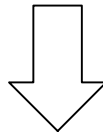
	<b>A</b> ×4 M6×35		<b>C</b> ×4 M8×30
	<b>E</b> ×2		<b>F</b> ×4 M3×16



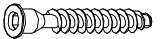

2

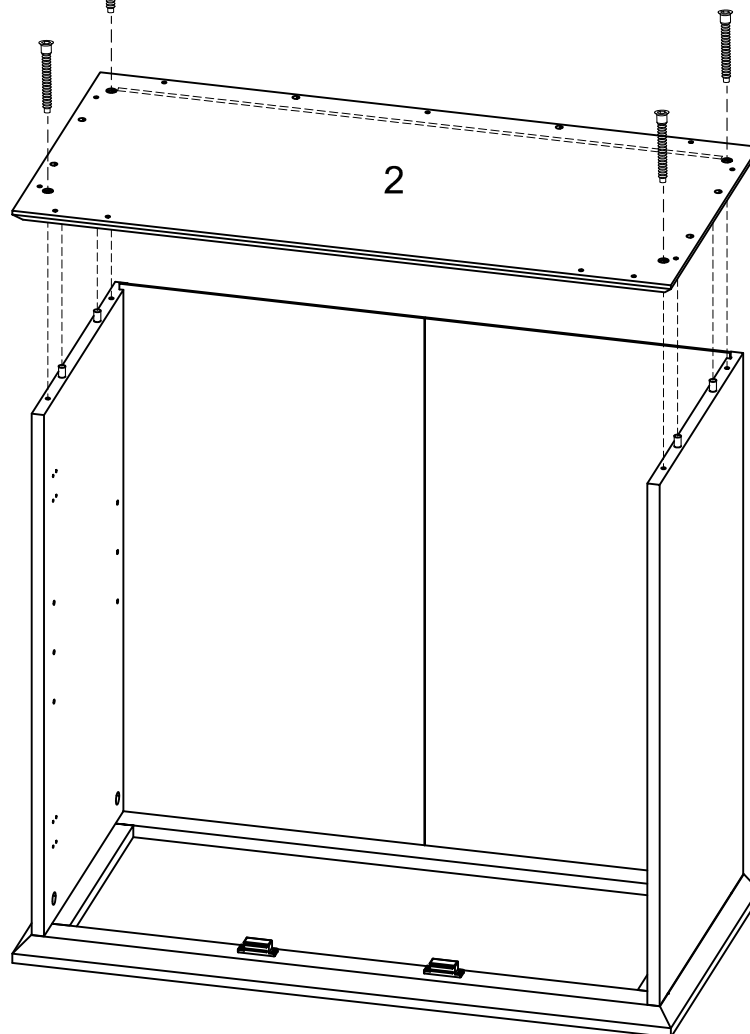
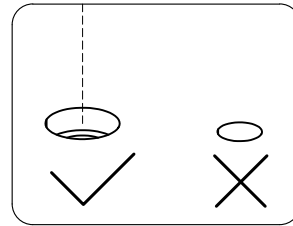
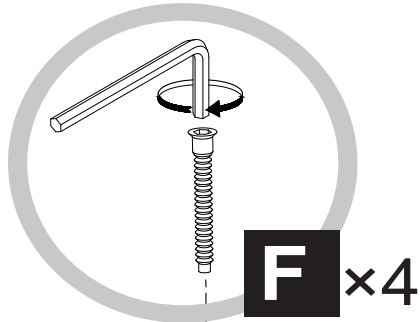


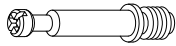
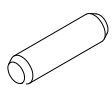
	<b>B</b> ×4 M15×12
	<b>C</b> ×4 M8×30

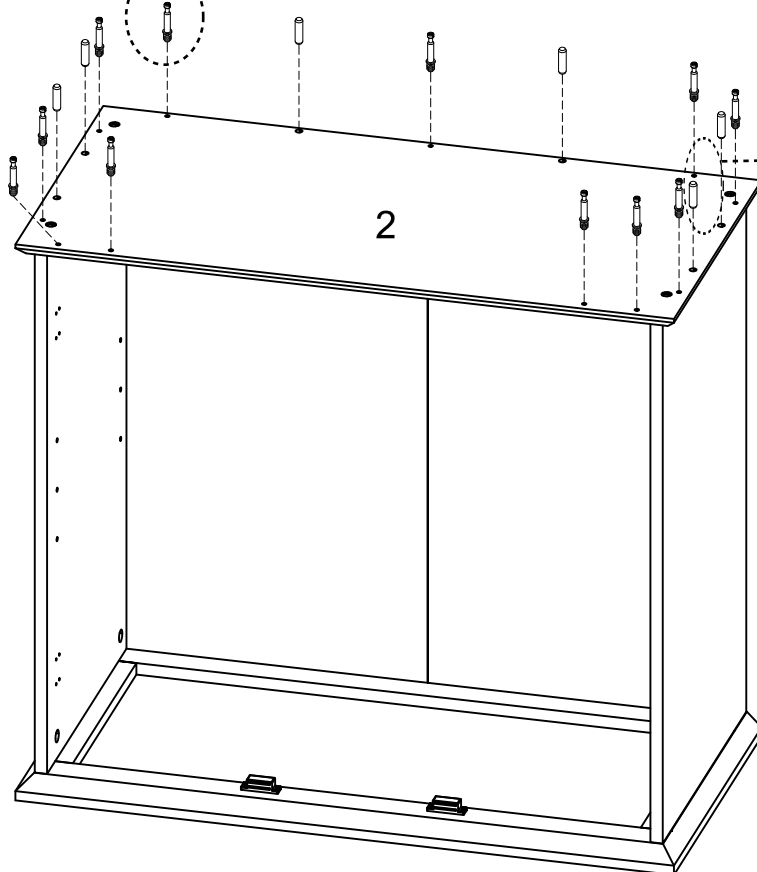
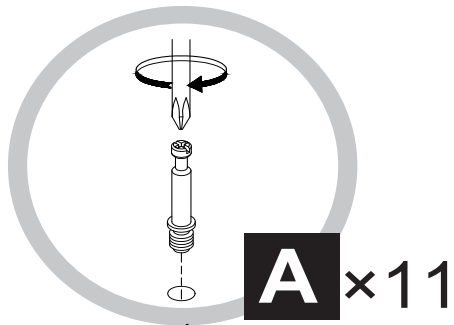


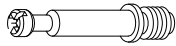

3

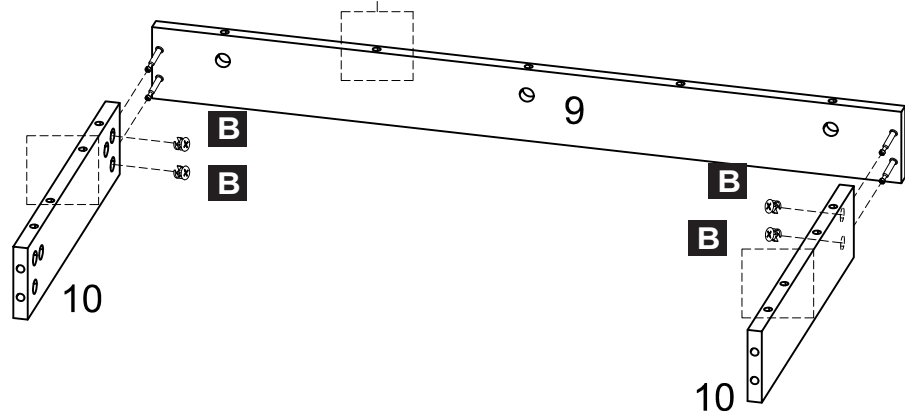
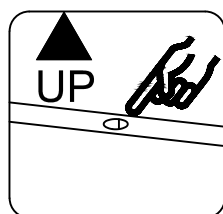
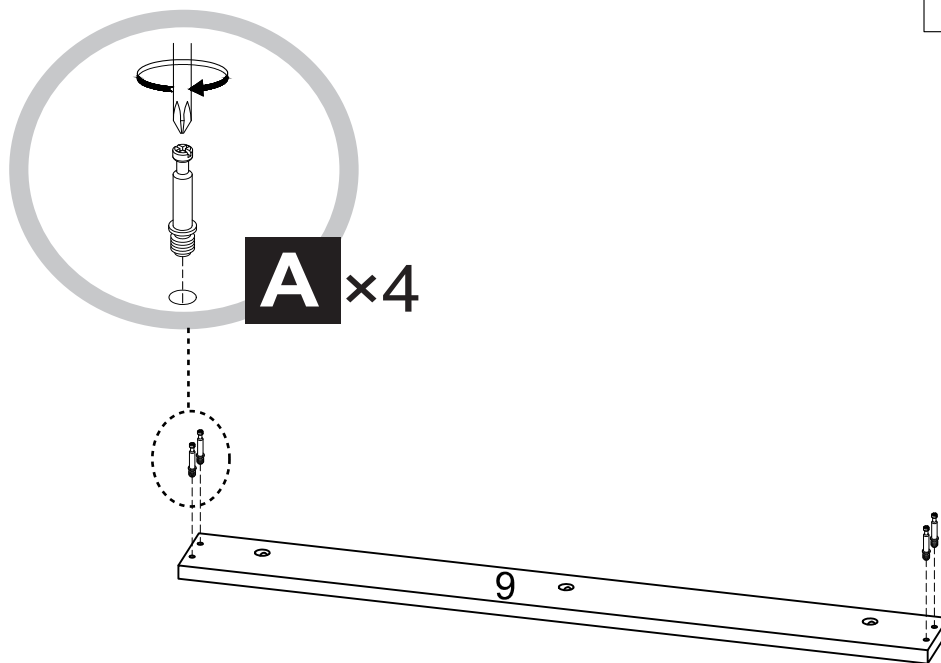
	<b>F</b> ×4 M7×50
	<b>R</b> ×1 M4

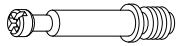



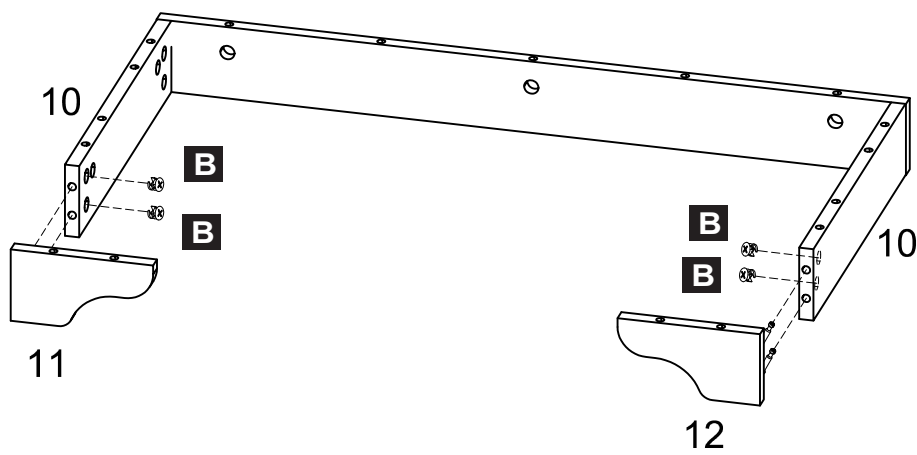
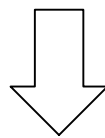
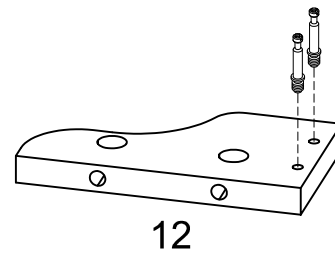
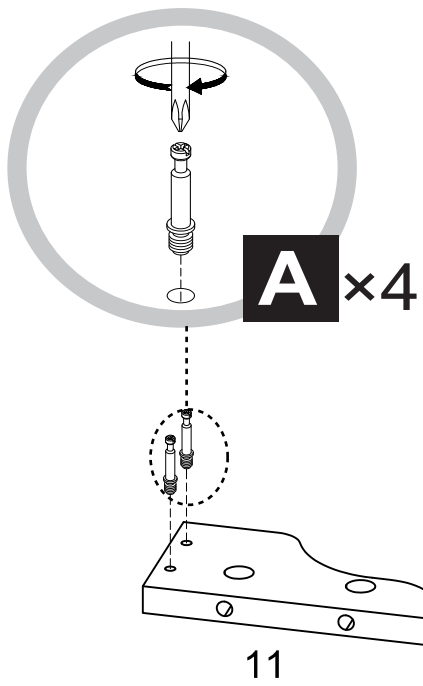
	<b>A</b> × 11 M6 × 35
	<b>C</b> × 6 M8 × 30





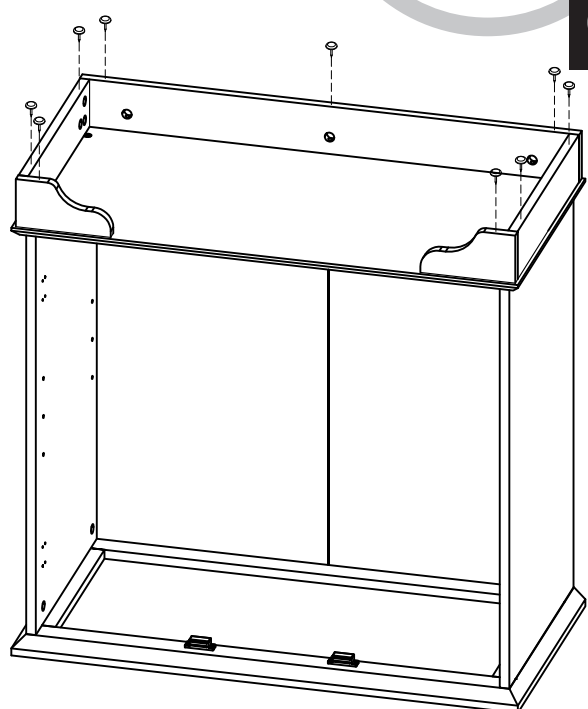
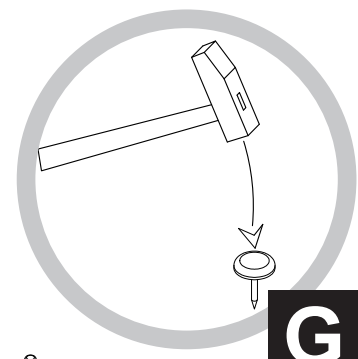
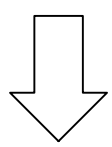
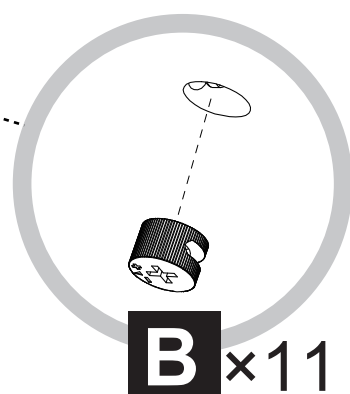
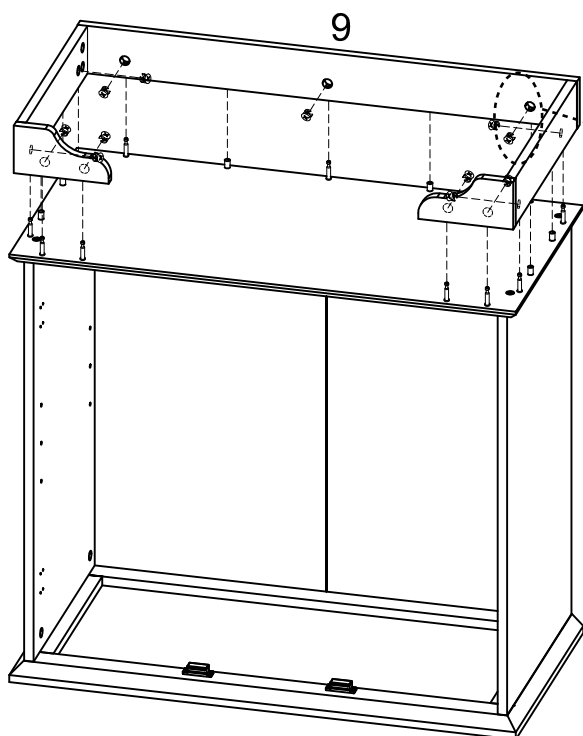
	<b>A</b> ×4 M6×35
	<b>B</b> ×4 M15×12



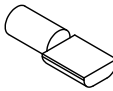



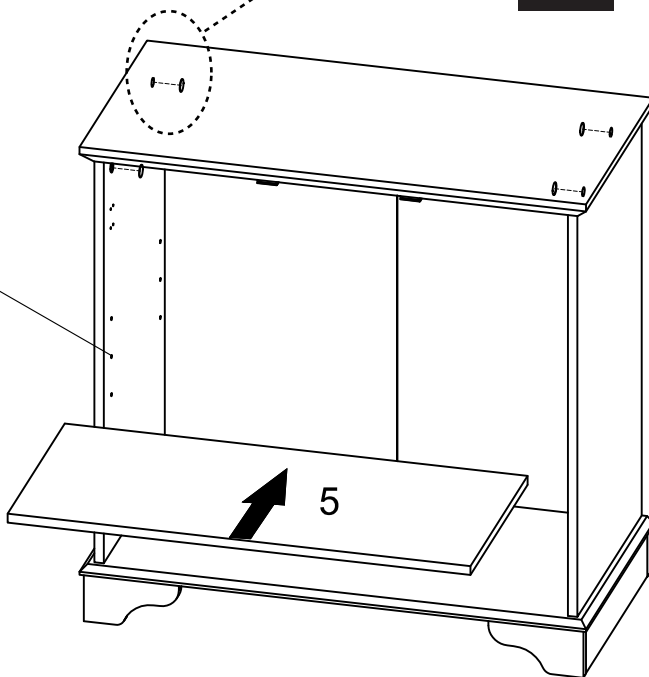
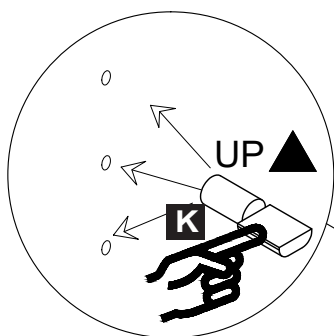
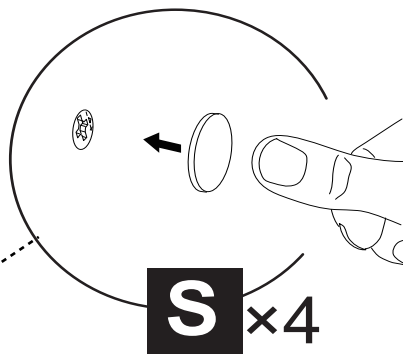
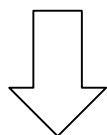
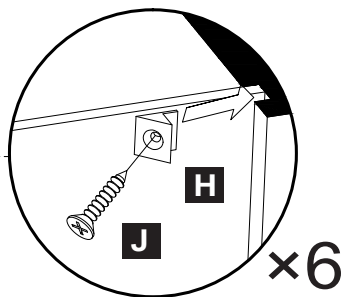
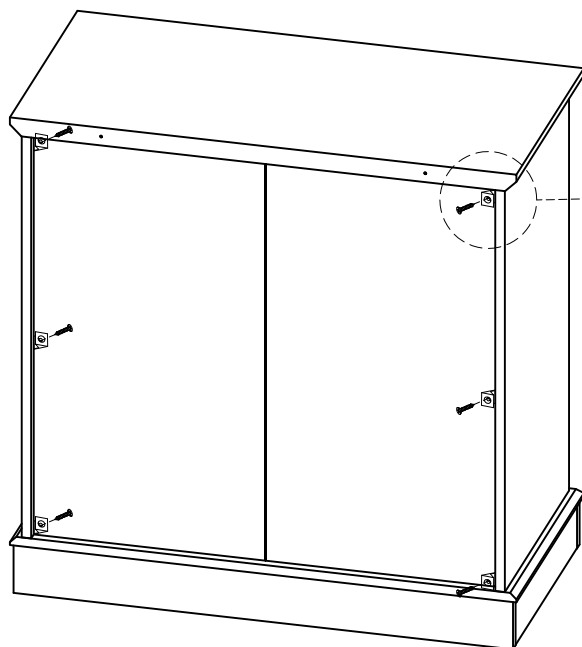
	<b>A</b> ×4 M6×35
	<b>B</b> ×4 M15×12

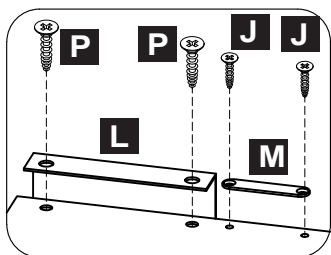







	<b>B</b> × 11 M15 × 12
	<b>G</b> × 9

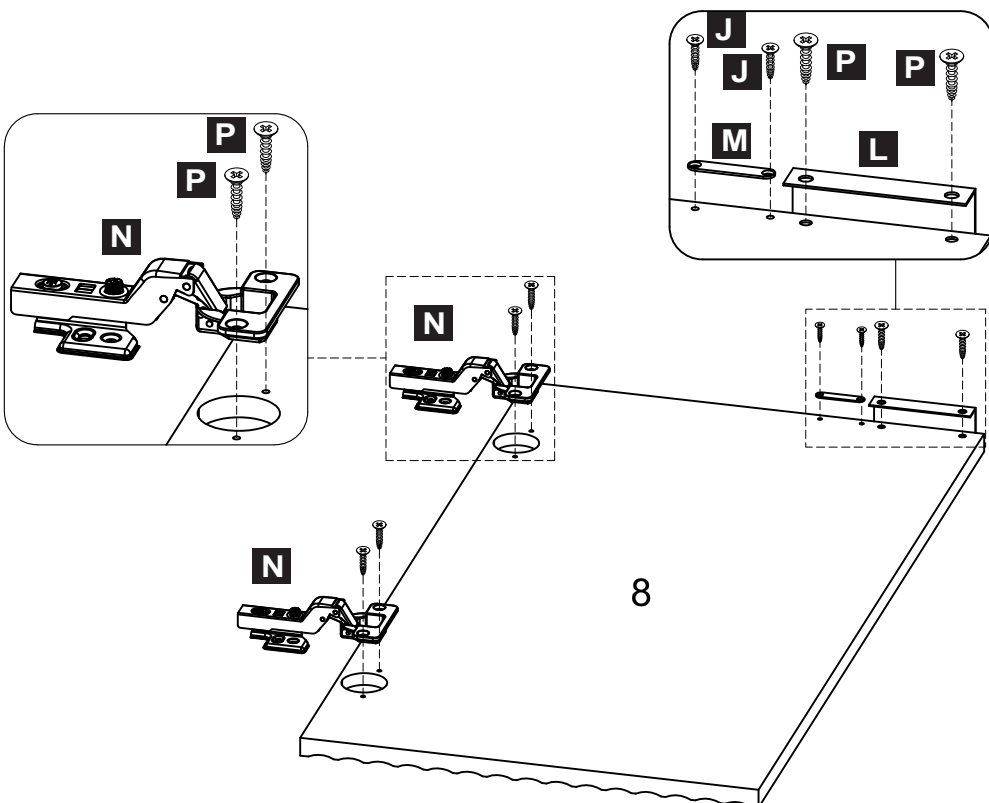
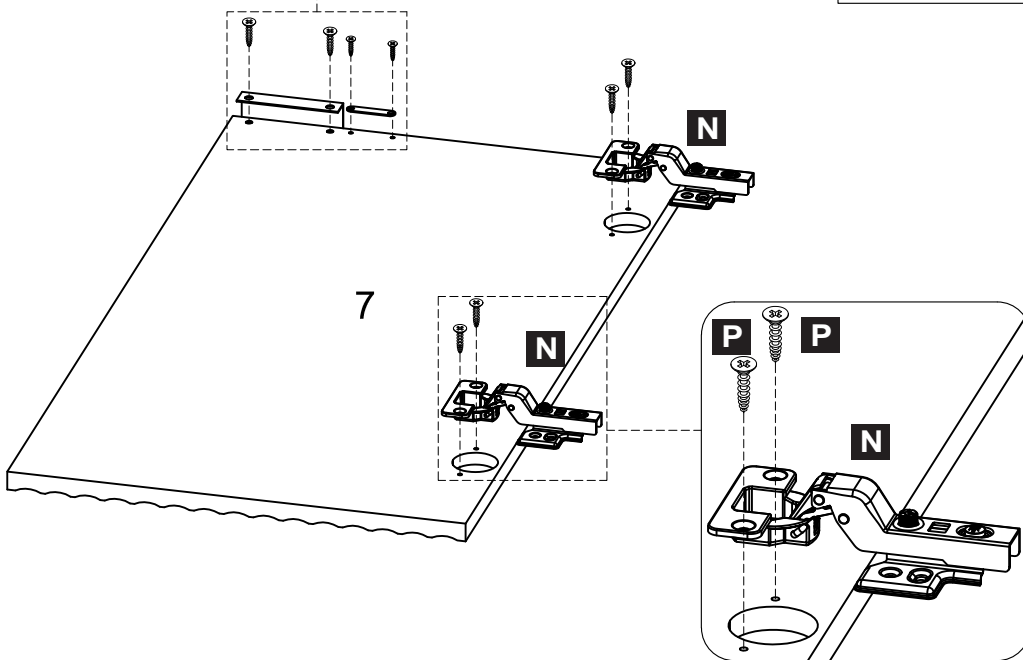


	<b>H</b> × 6		<b>J</b> × 6 M3×12
	<b>K</b> × 4		<b>S</b> × 4

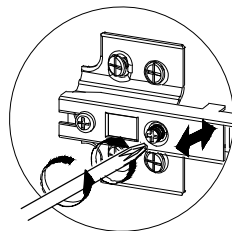
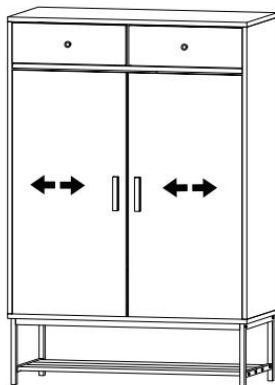
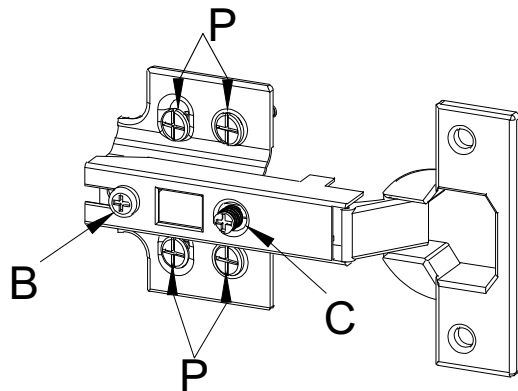




	<b>J</b> x4 M3x12		<b>L</b> x2 80
	<b>M</b> x2		<b>N</b> x4
	<b>P</b> x12 M3.5x12		



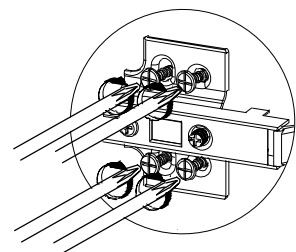
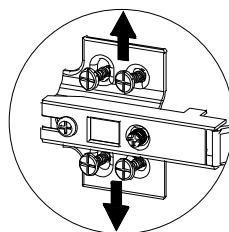
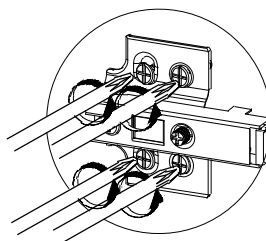
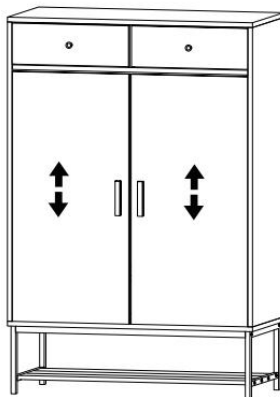
# YOU WILL USE THIS PAGE FOR THE NEXT STEP



If you find a large gap between or beside the door

**To adjust side ways.**

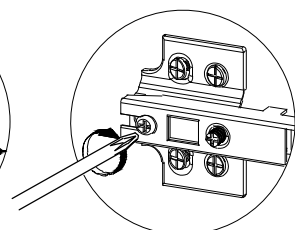
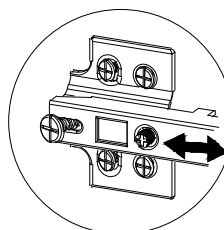
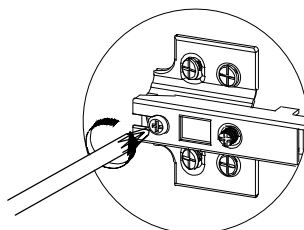
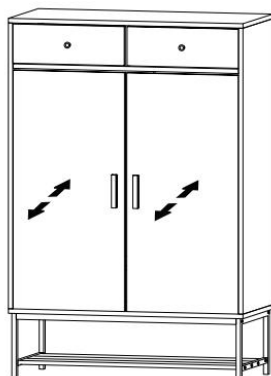
Turning the screw "C" on BOTH hinges on each door.



If you find a large gap above or below the door

**To adjust the vertical height.**

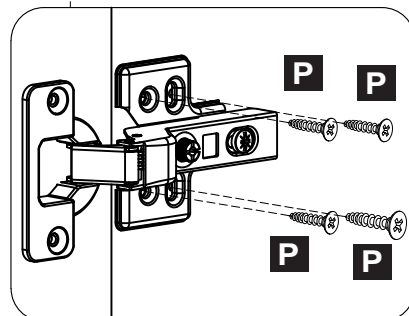
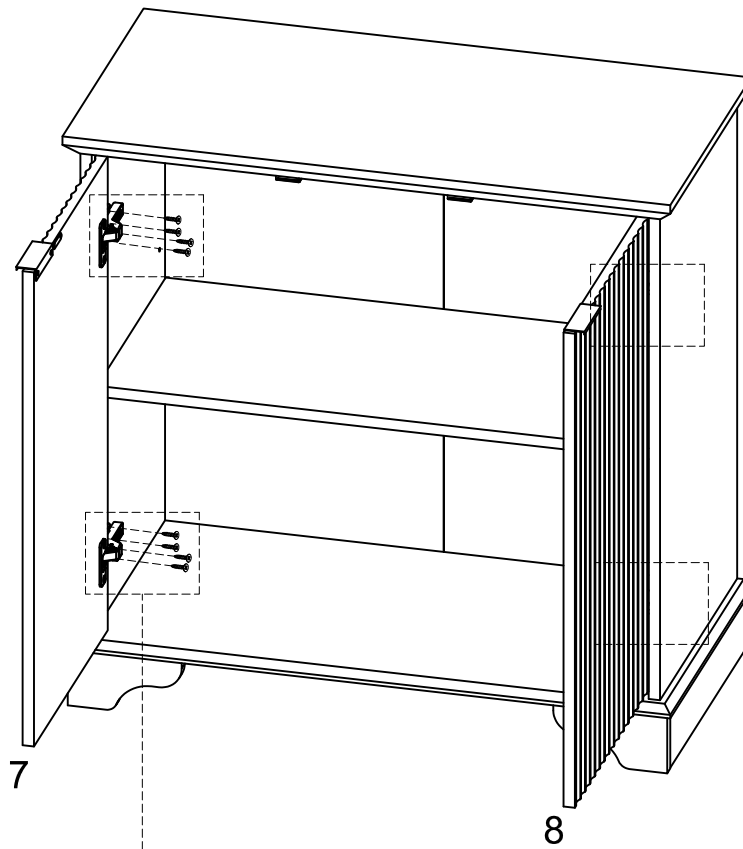
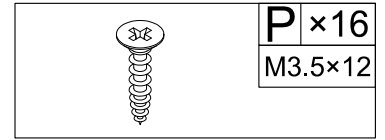
Loosen the four screws "P" on both hinges. Two of them are usually in slotted holes which allows you to adjust up or down by a few mm. Then tighten back up.

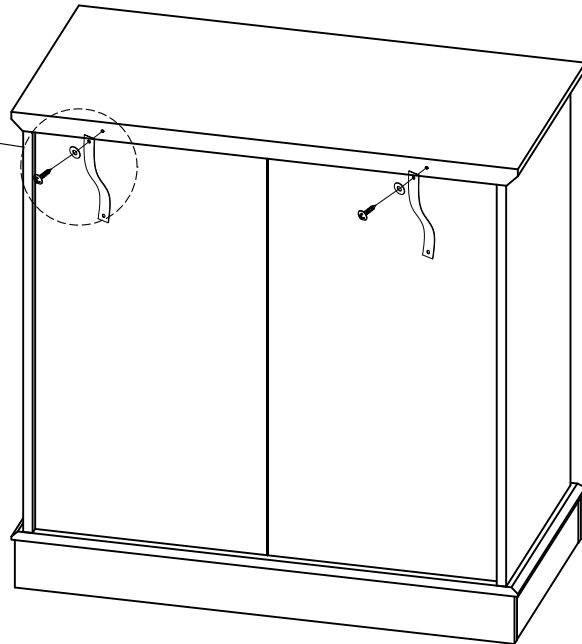
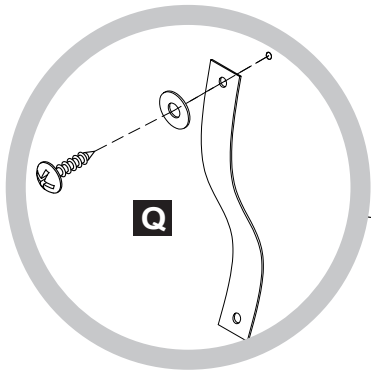
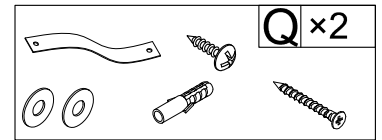


If you find the door is too protruding or too inside.

**To adjust depth.**

Loosen screw "B" and adjust door, if the door can not be adjusted, please loosen screw "C", then try again. Tighten screw "B" and "C".





- (1) **WALL**
- (2) **WALL**  
drilling hole  
Ø6x30mm
- (3) **WALL**
- (4)

