

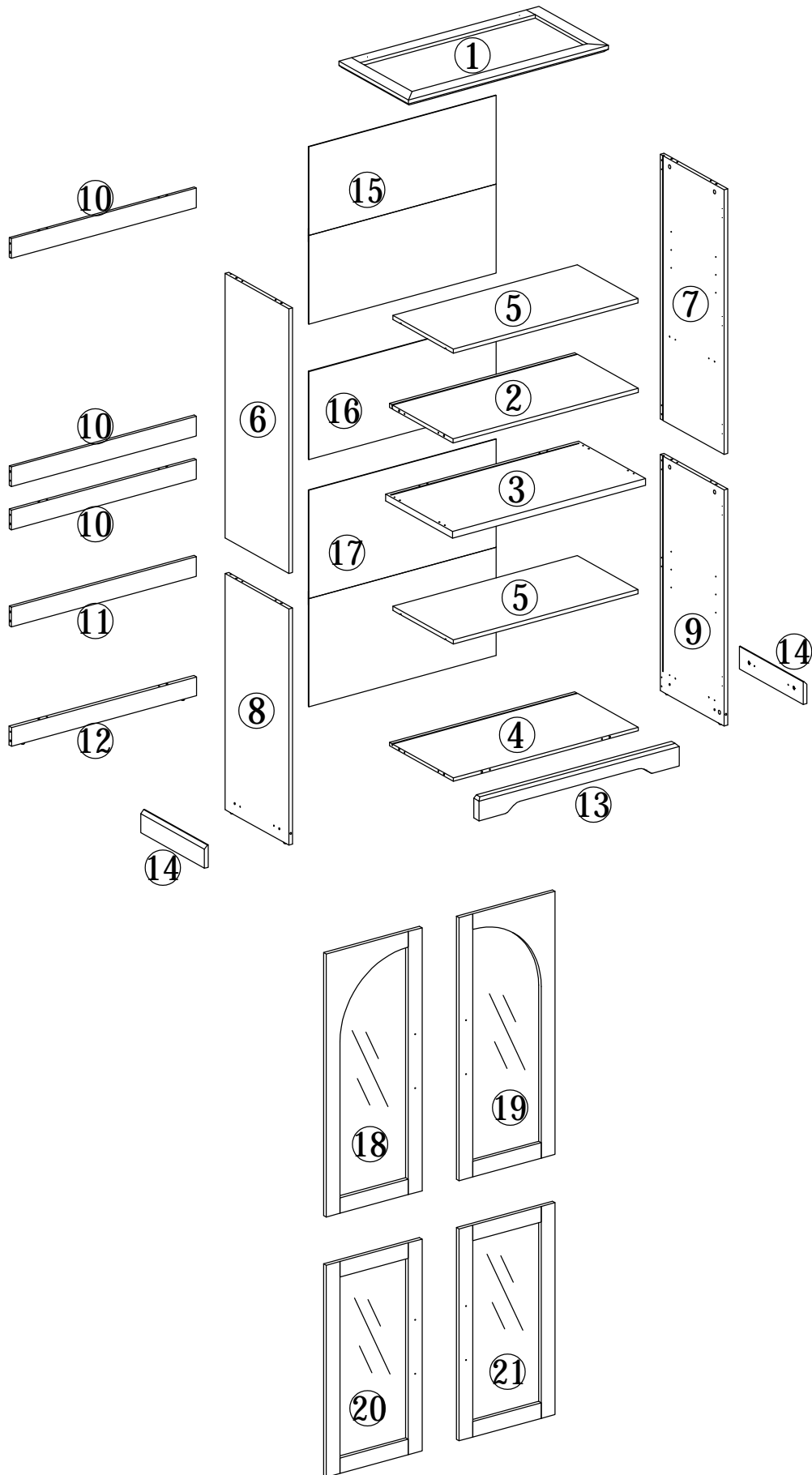
**ATTENTION**

If there is any missing, please kindly send us messages to let us know the part number of missing part regarding to the first page of instructions.

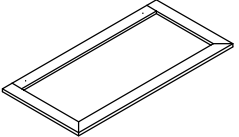
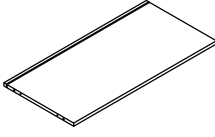
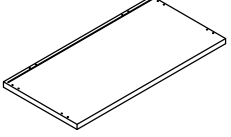
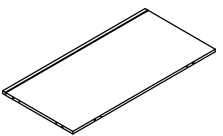
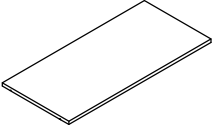
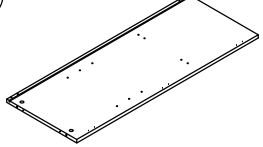
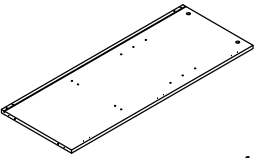
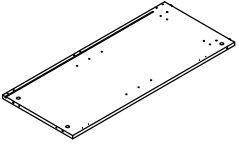
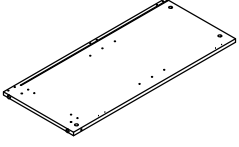
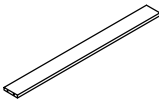
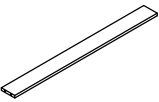
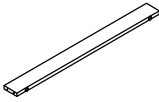
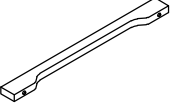
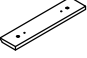
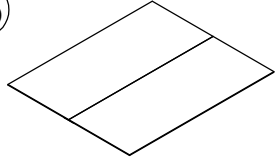
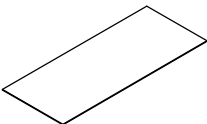
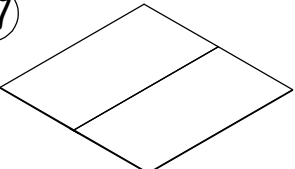
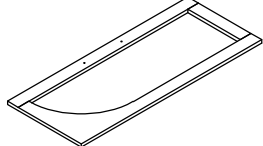
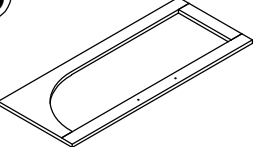
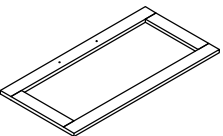
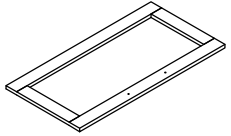
Please also provide your full address, recipient name and contact phone number so that we can send replacement to you as soon as possible.










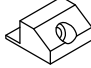
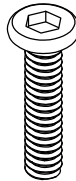
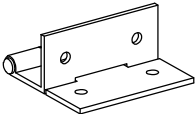


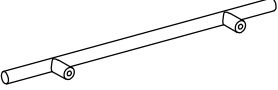
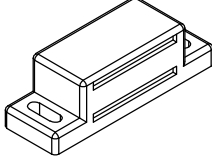
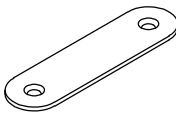


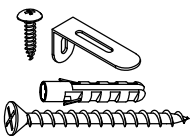
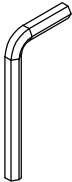

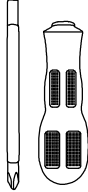
# PART LIST

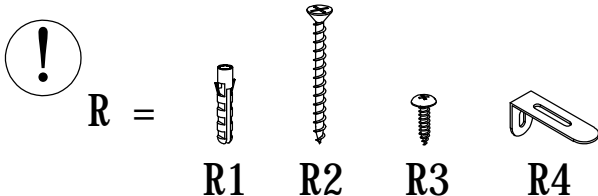


# PART LIST

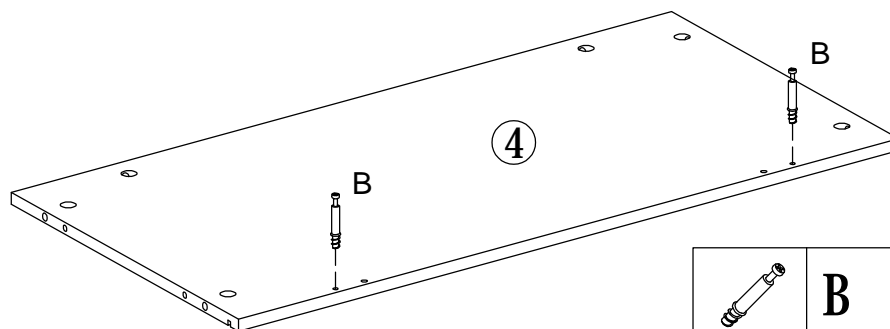
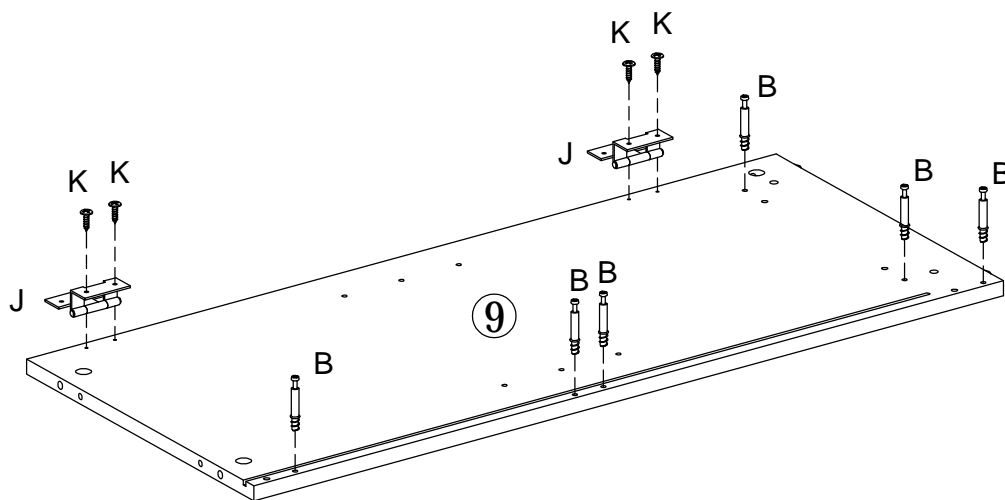
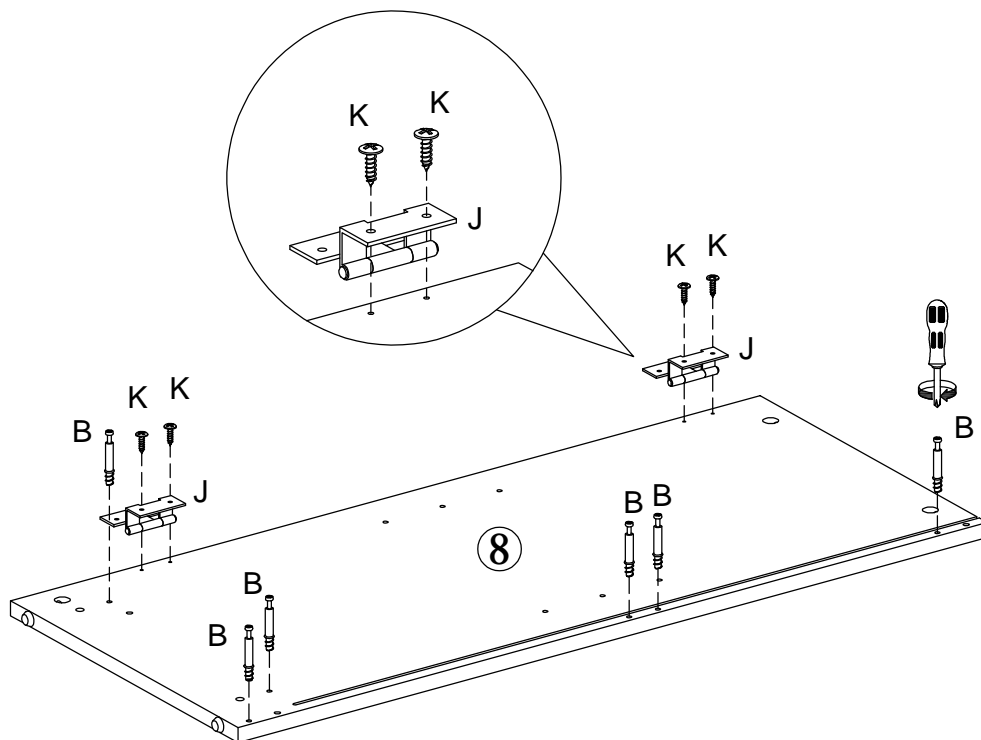
<p>①</p>  <p>1PC</p>	<p>②</p>  <p>1PC</p>	<p>③</p>  <p>1PC</p>
<p>④</p>  <p>1PC</p>	<p>⑤</p>  <p>2PCS</p>	<p>⑥</p>  <p>1PC</p>
<p>⑦</p>  <p>1PC</p>	<p>⑧</p>  <p>1PC</p>	<p>⑨</p>  <p>1PC</p>
<p>⑩</p>  <p>3PCS</p>	<p>⑪</p>  <p>1PC</p>	<p>⑫</p>  <p>1PC</p>
<p>⑬</p>  <p>1PC</p>	<p>⑭</p>  <p>2PCS</p>	<p>⑮</p>  <p>1PC</p>
<p>⑯</p>  <p>1PC</p>	<p>⑰</p>  <p>1PC</p>	<p>⑱</p>  <p>1PC</p>
<p>⑲</p>  <p>1PC</p>	<p>⑳</p>  <p>1PC</p>	<p>㉑</p>  <p>1PC</p>




# HARDWARE LIST

<p><b>A</b></p>  <p><math>\phi 5 \times 38</math> 4PCS</p>	<p><b>B</b></p>  <p><math>\phi 6 \times 33</math> (40+2)PCS</p>	<p><b>C</b></p>  <p><math>\phi 15 \times 10</math> (40+2)PCS</p>
<p><b>D</b></p>  <p><math>\phi 6 \times 30</math> (38+2)PCS</p>	<p><b>E</b></p>  <p><math>\phi 6 \times 20</math> 4PCS</p>	<p><b>F</b></p>  <p>(8+1)PCS</p>
<p><b>G</b></p>  <p><math>\phi 3 \times 17</math> (29+2)PCS</p>	<p><b>H</b></p>  <p>(29+2)PCS</p>	<p><b>I</b></p>  <p>M6x25 4PCS</p>
<p><b>J</b></p>  <p>10PCS</p>	<p><b>K</b></p>  <p><math>\phi 3.5 \times 14</math> (40+2)PCS</p>	<p><b>L</b></p>  <p>M4x20 (8+1)PCS</p>
<p><b>M</b></p>  <p>4PCS</p>	<p><b>N</b></p>  <p>4PCS</p>	<p><b>O</b></p>  <p>4PCS</p>
<p><b>P</b></p>  <p><math>\phi 3 \times 15</math> 8PCS</p>	<p><b>Q</b></p>  <p><math>\phi 3 \times 12</math> 8PCS</p>	<p><b>R</b></p>  <p>2SET</p>
 <p>4mm</p>  <p>3mm</p>	 <p>1PC</p>	

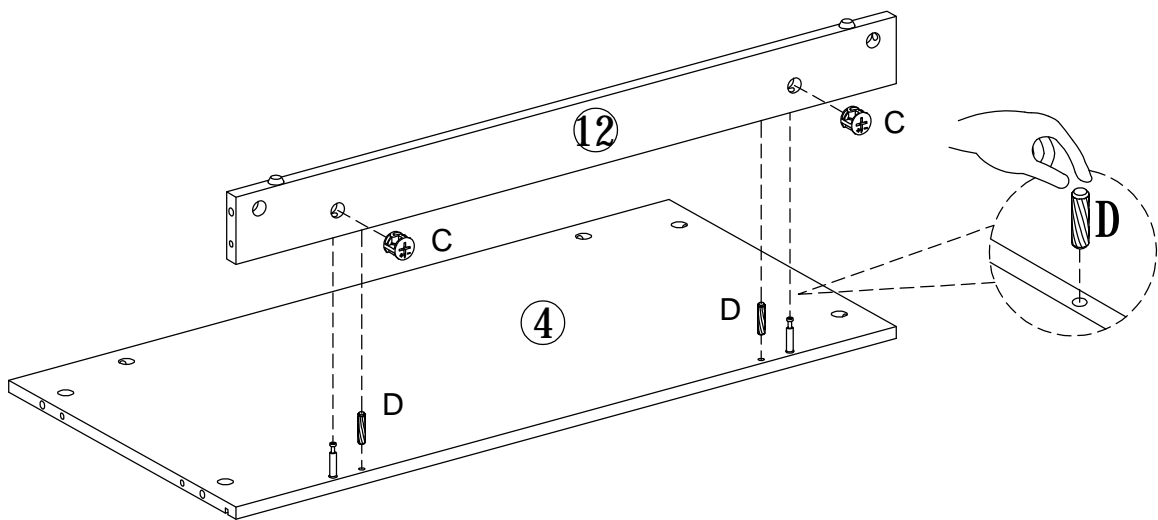
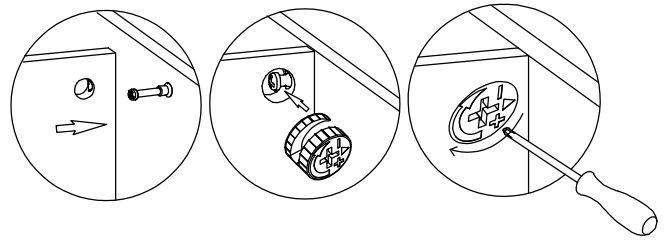




# STEP 1



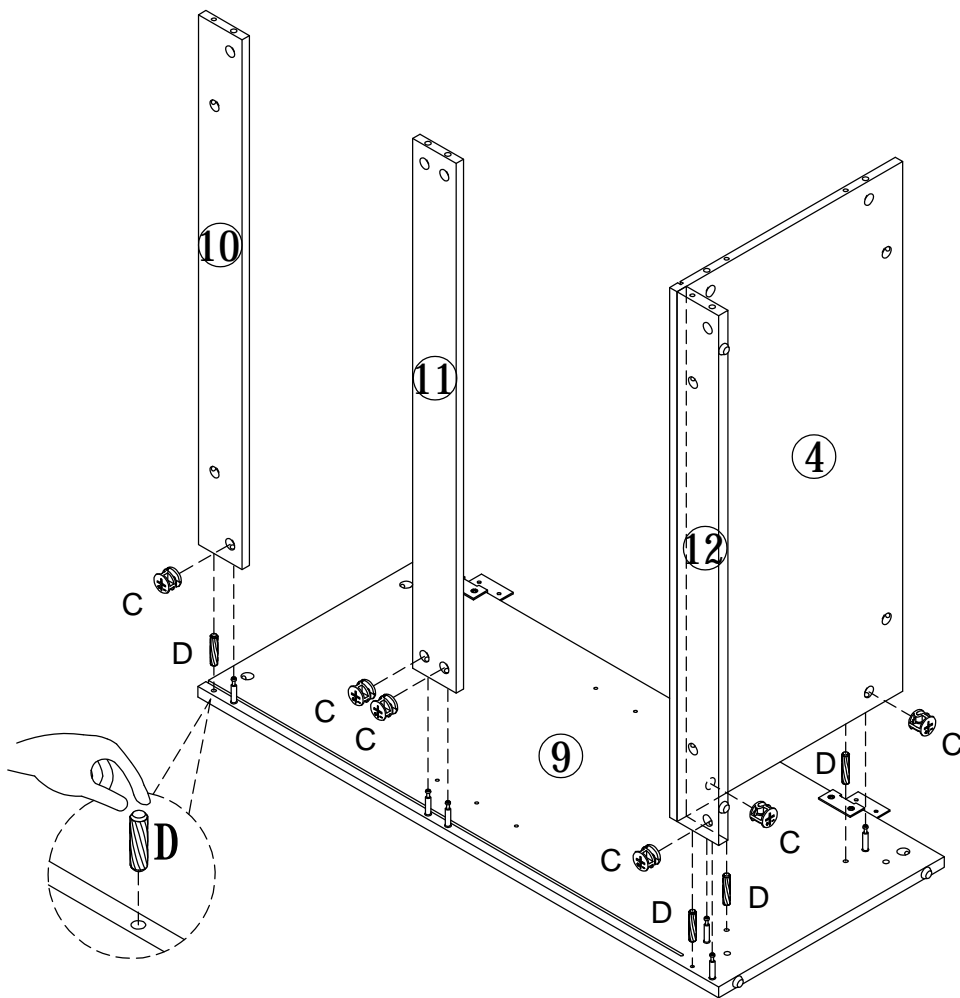
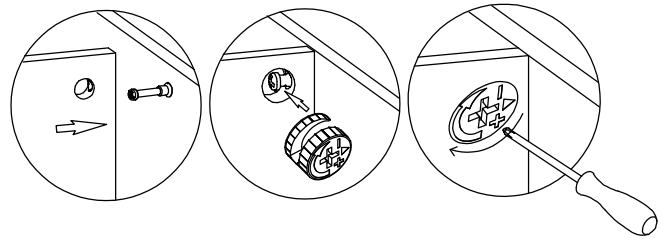
	<b>B × 14PCS</b>
	<b>J × 4PCS</b>
	<b>K × 8PCS</b>



# STEP 2



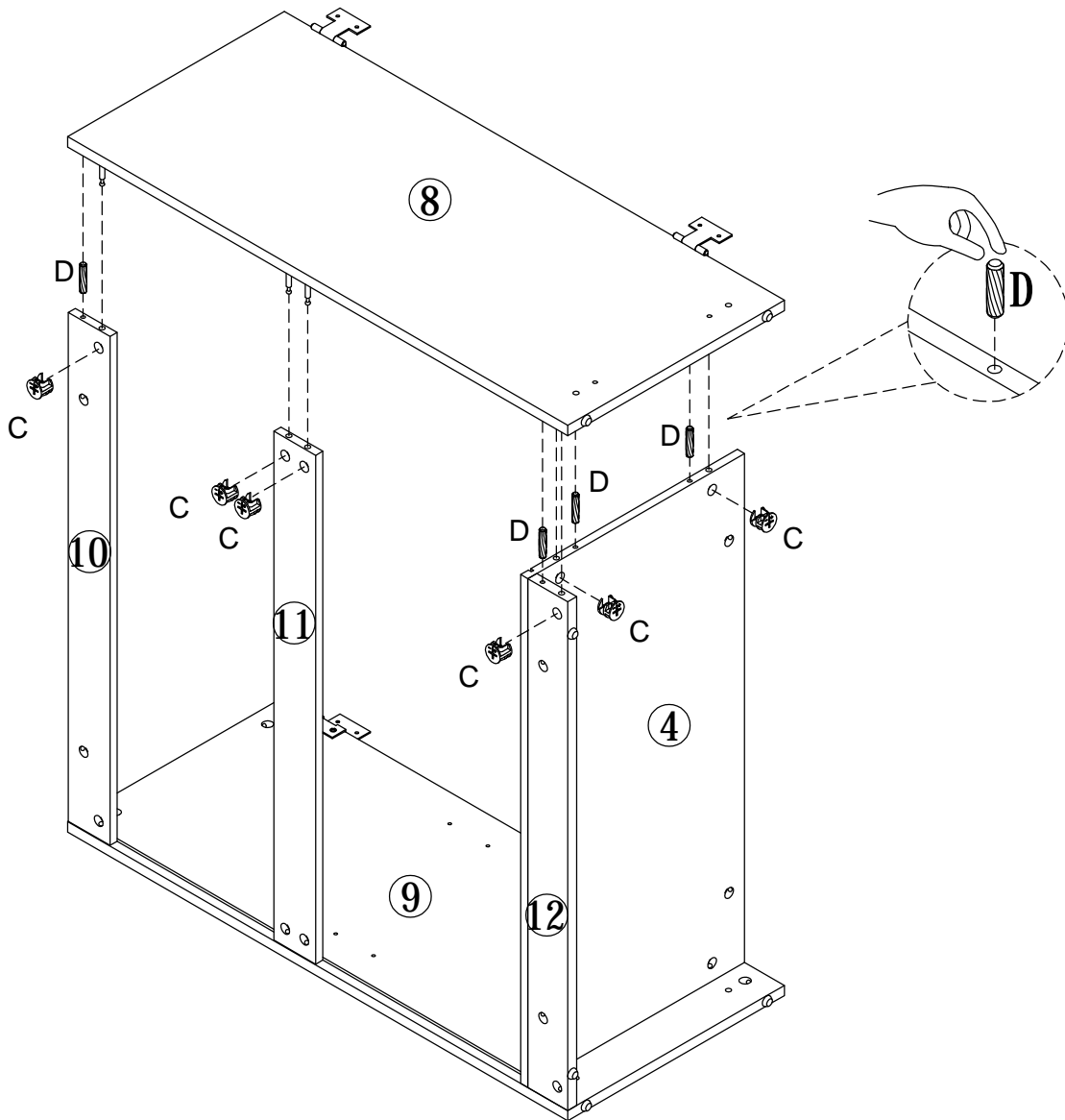
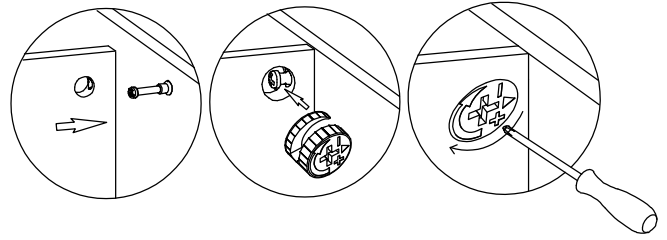
	C × 2PCS
	D × 2PCS



# STEP 3



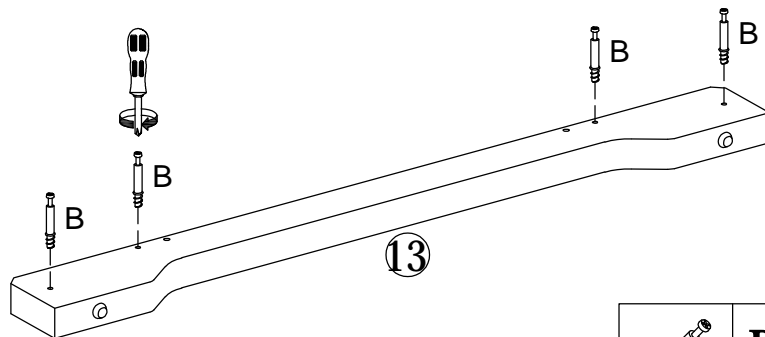
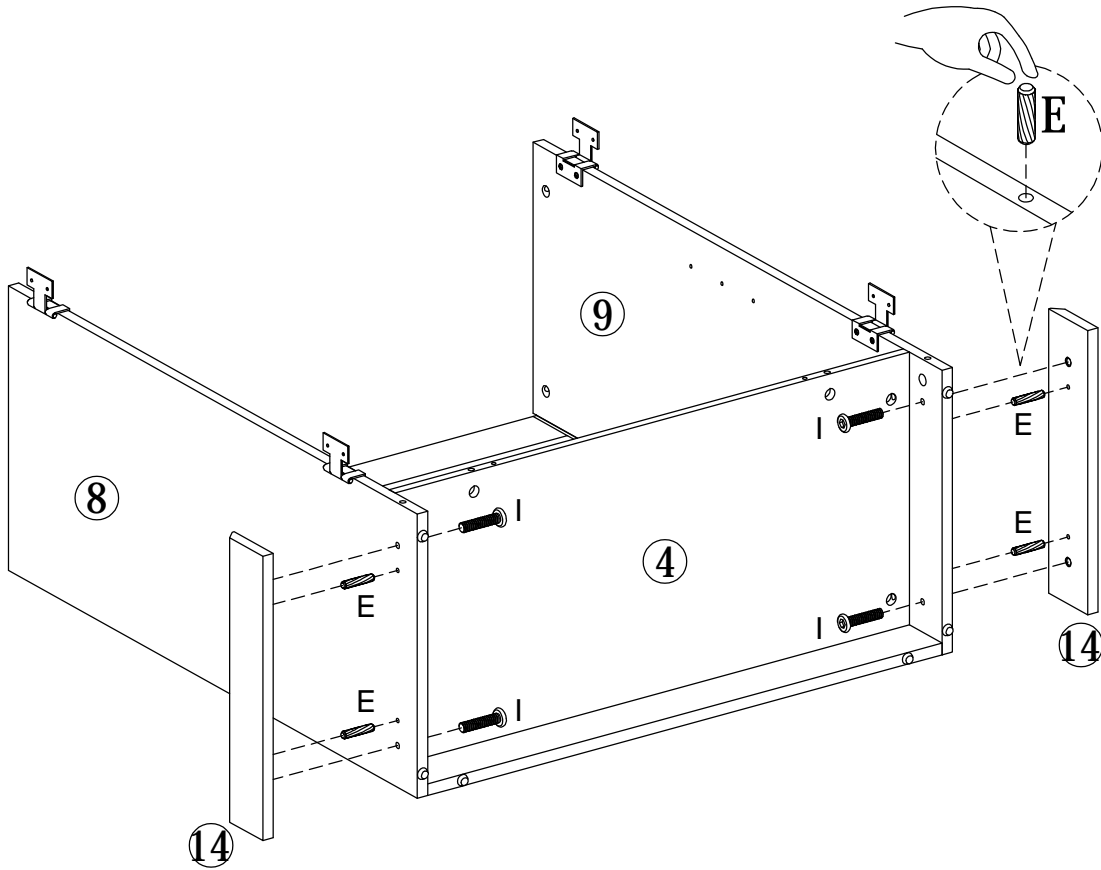
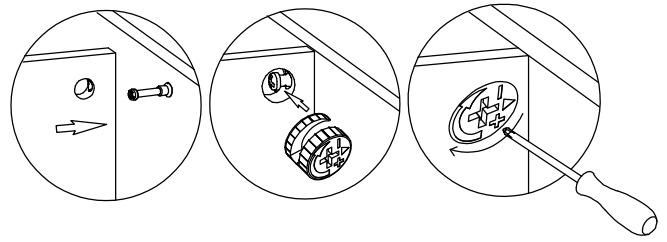
	C × 6PCS
	D × 4PCS




# STEP 4



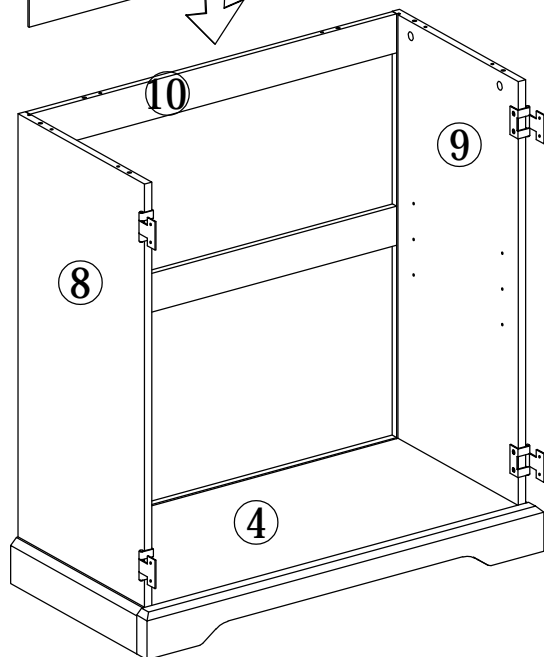
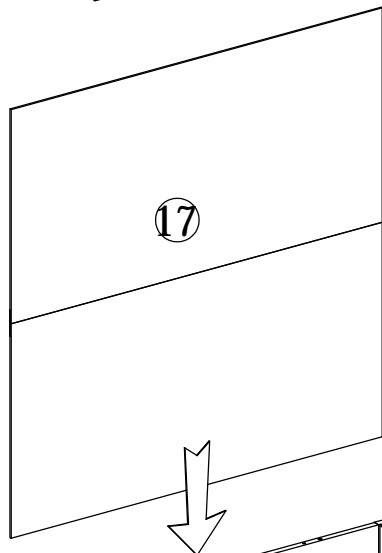
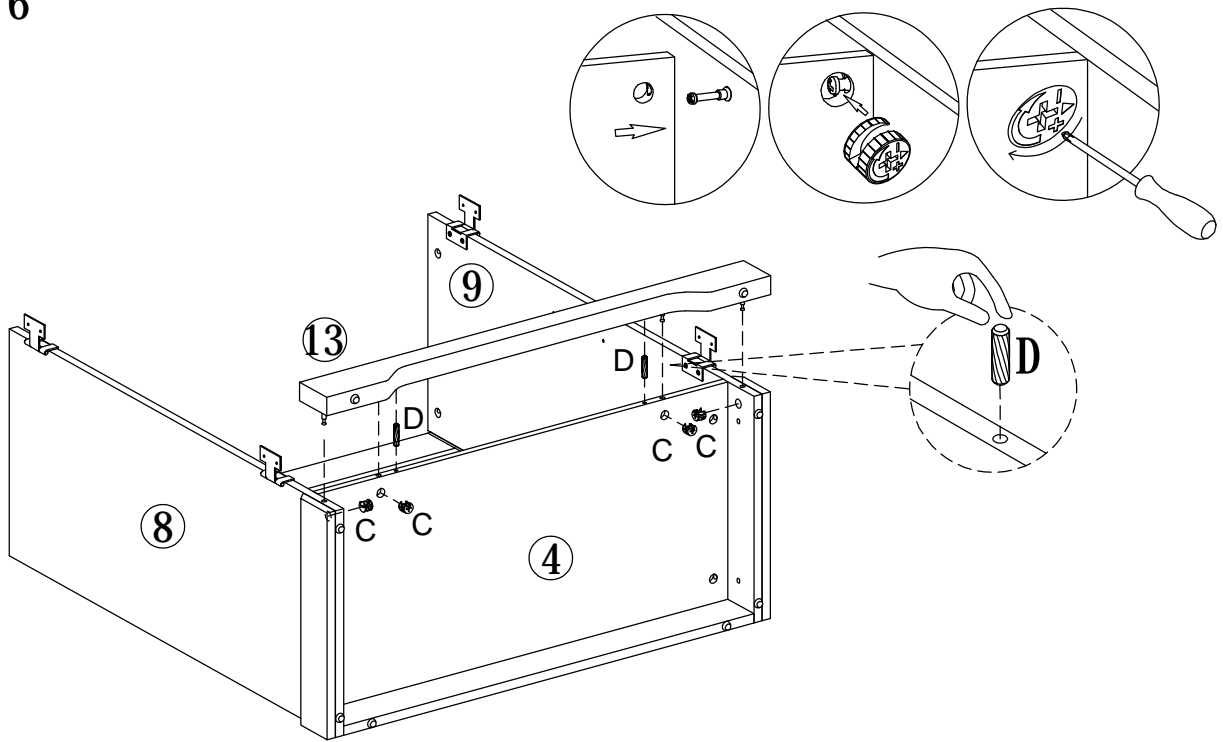
	C × 6PCS
	D × 4PCS



# STEP 5



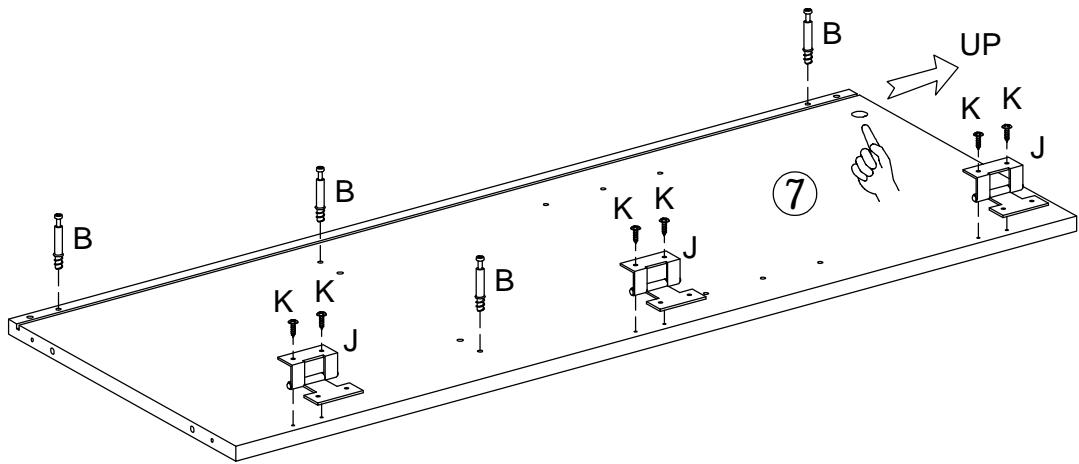
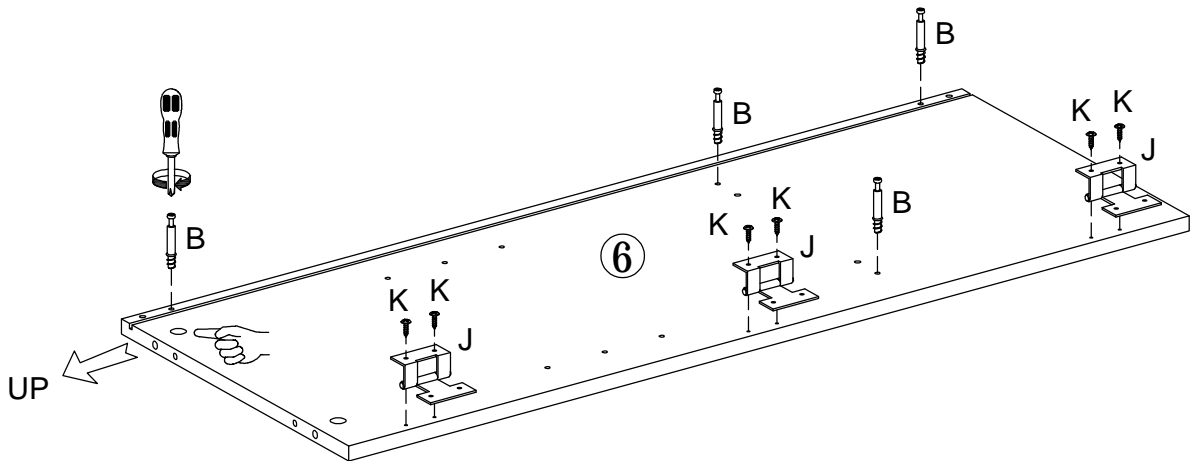
	<b>B × 4PCS</b>
	<b>E × 4PCS</b>
	<b>I × 4PCS</b>


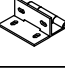

# STEP 6



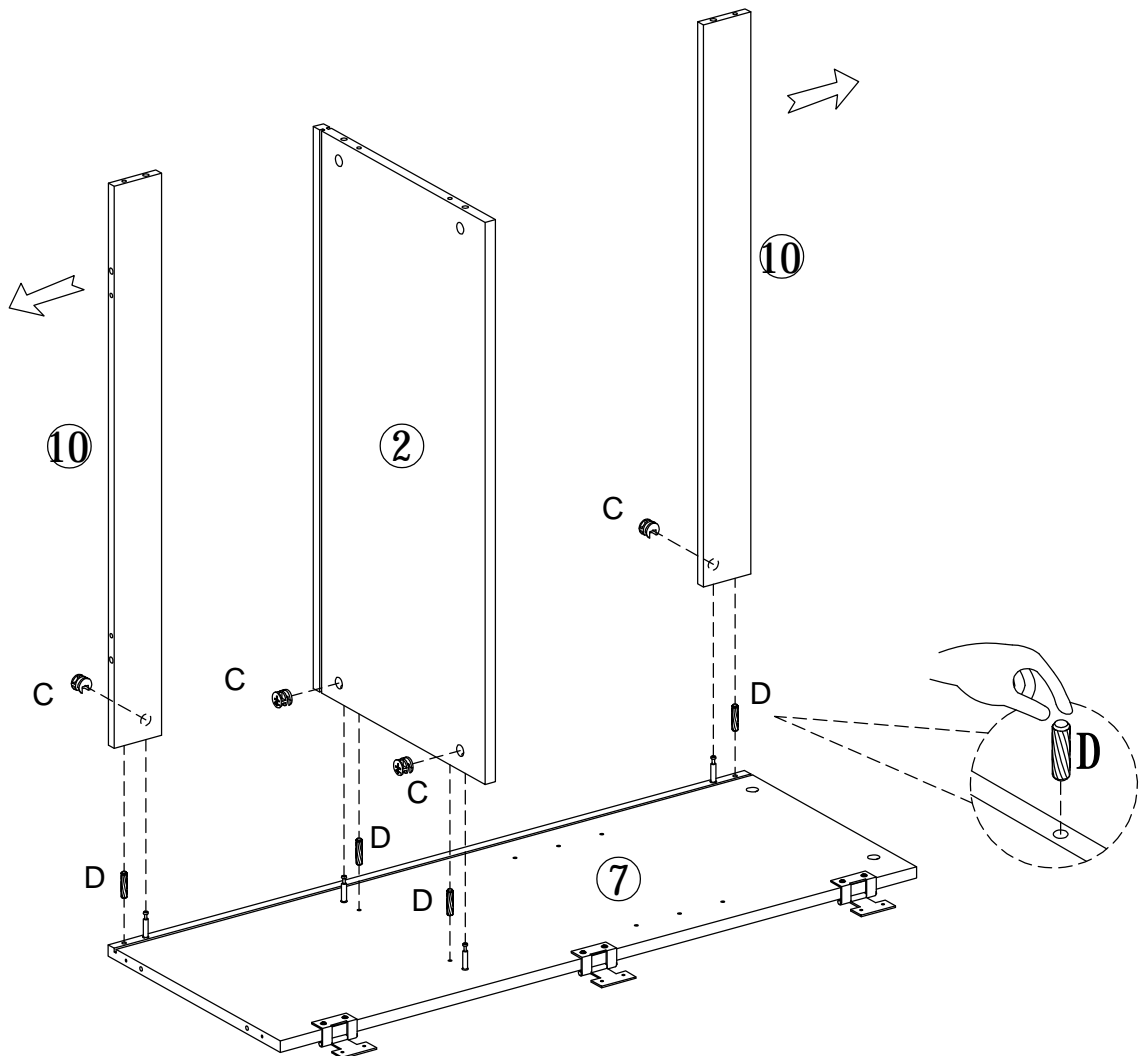
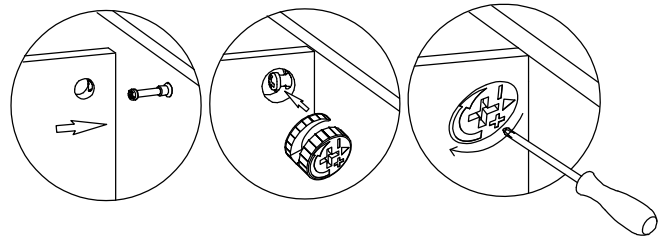
	<b>C × 4PCS</b>
	<b>D × 2PCS</b>



# STEP 7



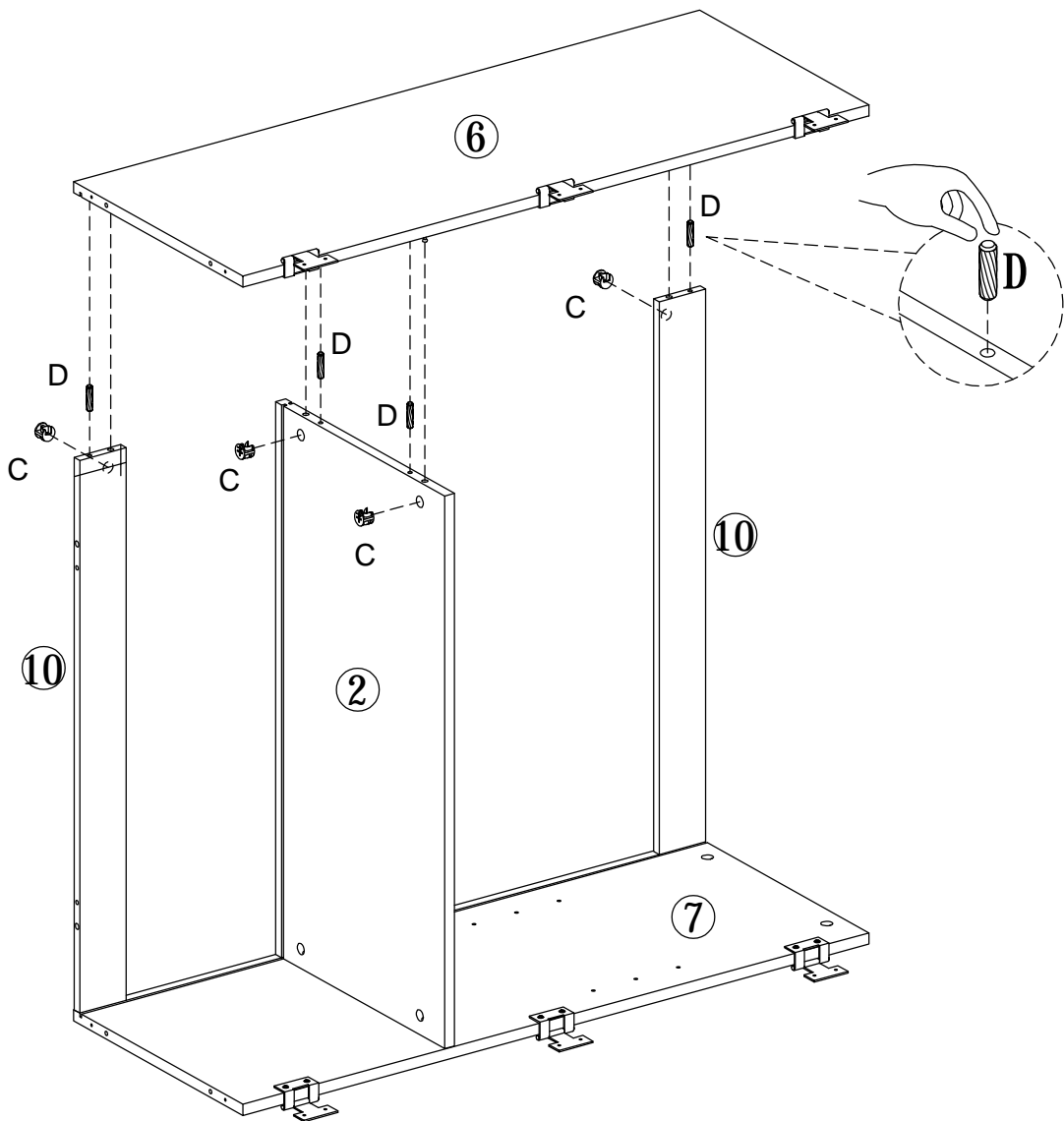
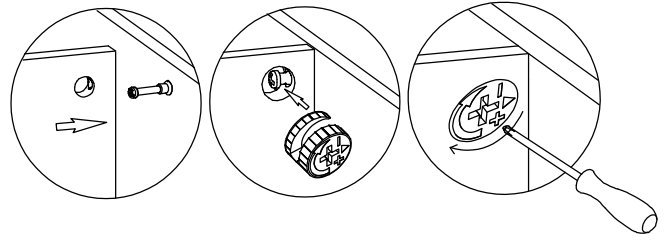
	<b>B × 8PCS</b>
	<b>J × 6PCS</b>
	<b>K × 12PCS</b>



# STEP 8



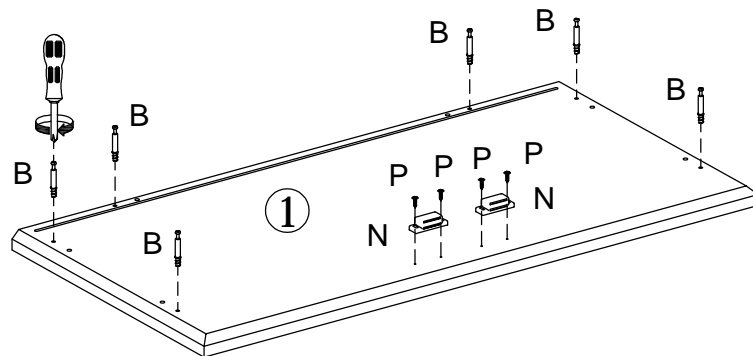
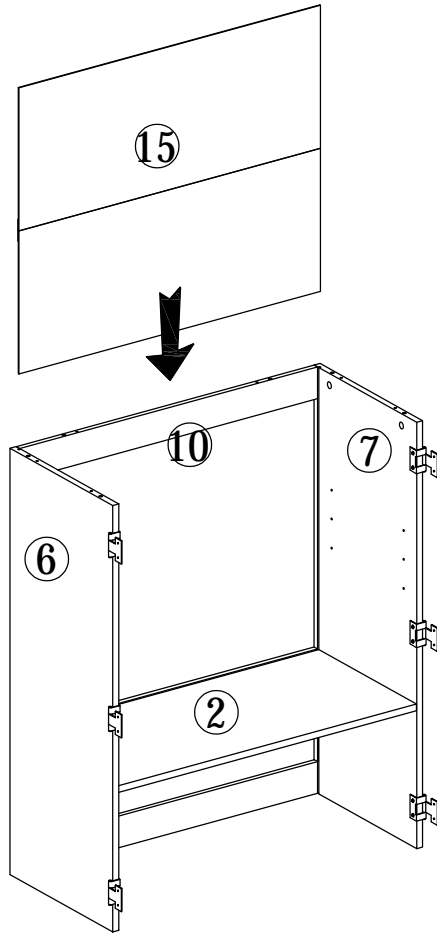
	C × 4PCS
	D × 4PCS




# STEP 9



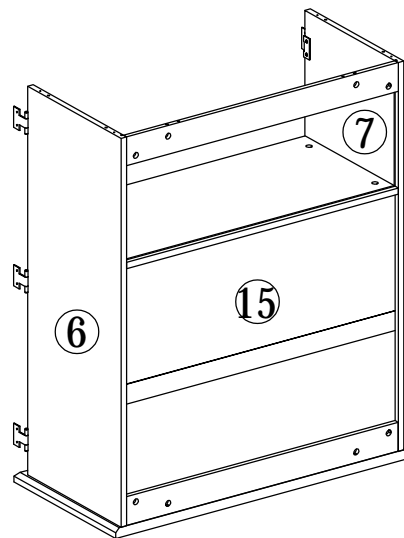
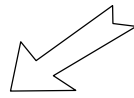
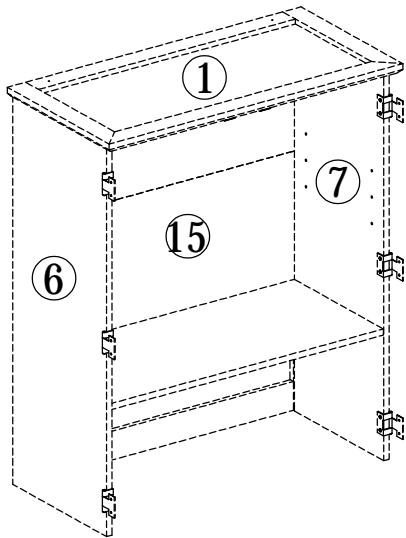
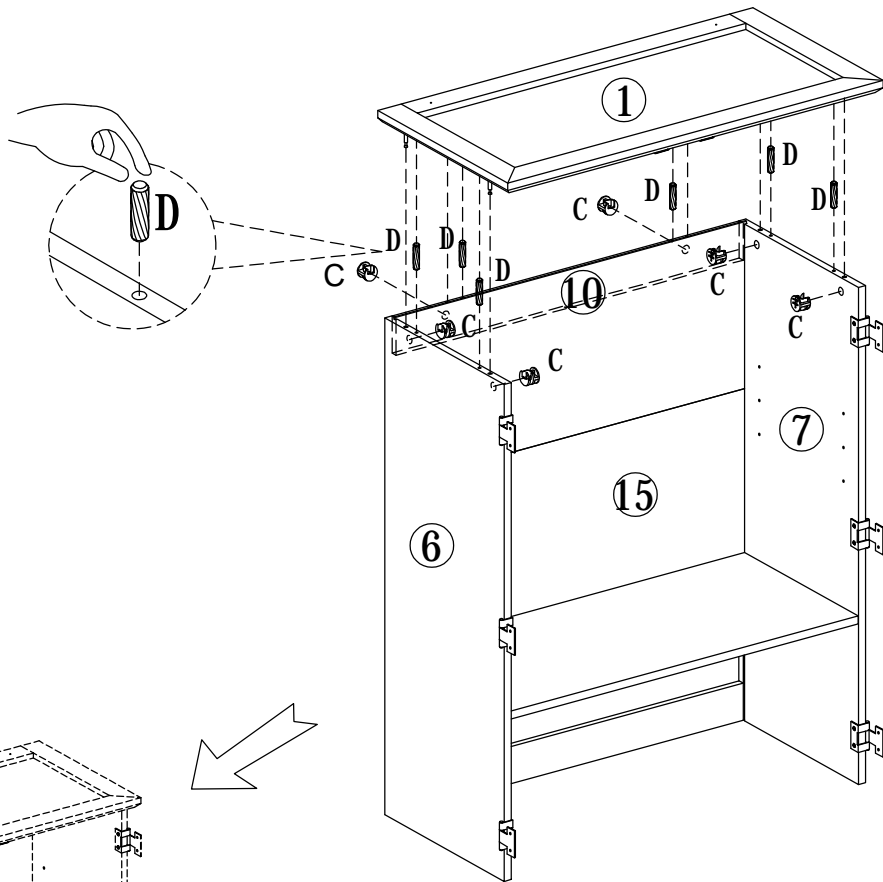
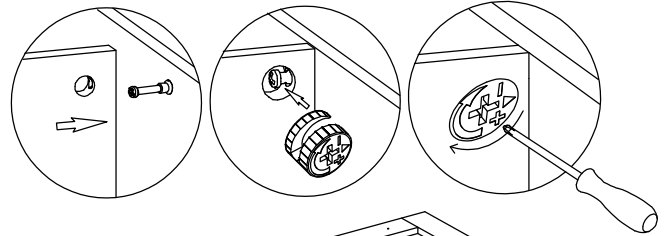
	C × 4PCS
	D × 4PCS



# STEP 10



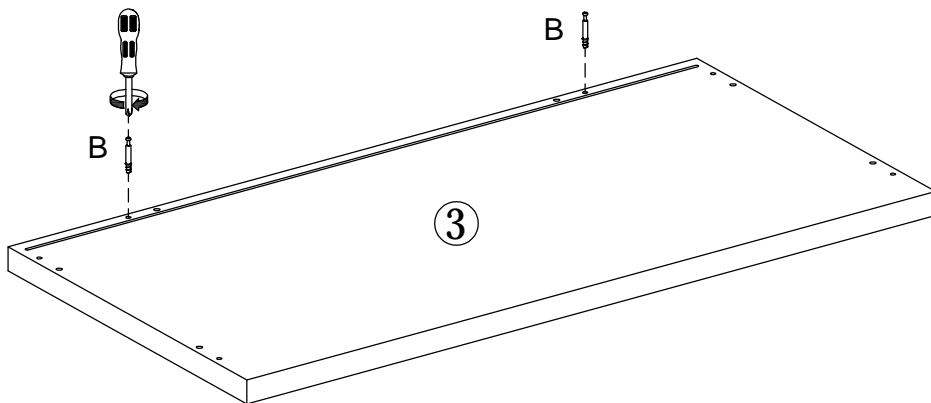
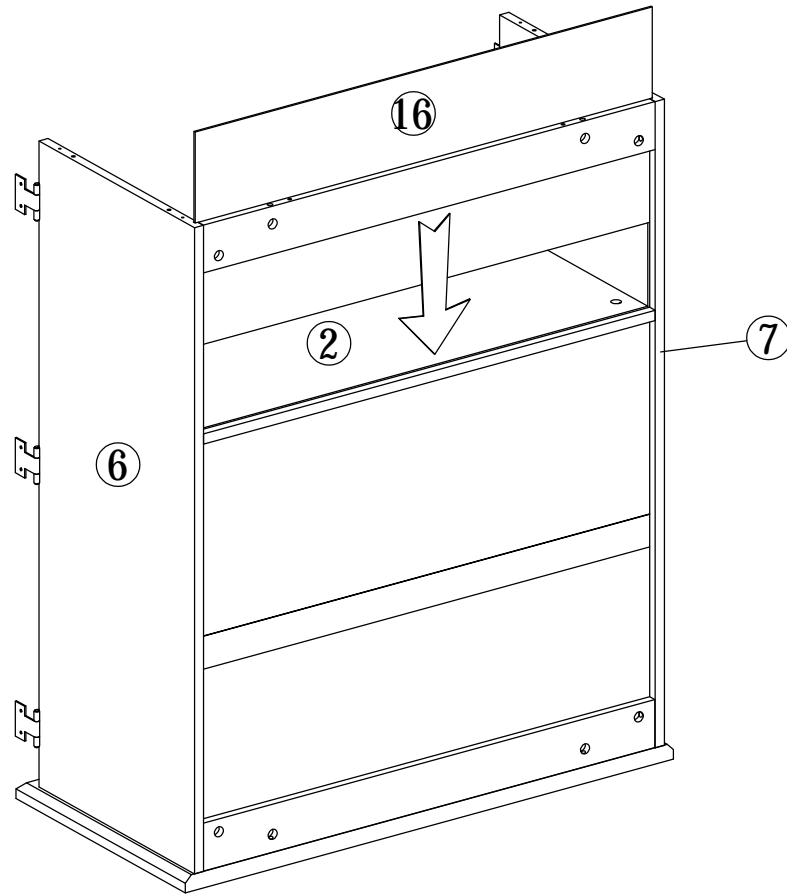
	<b>B × 6PCS</b>
	<b>N × 2PCS</b>
	<b>P × 4PCS</b>


# STEP 11



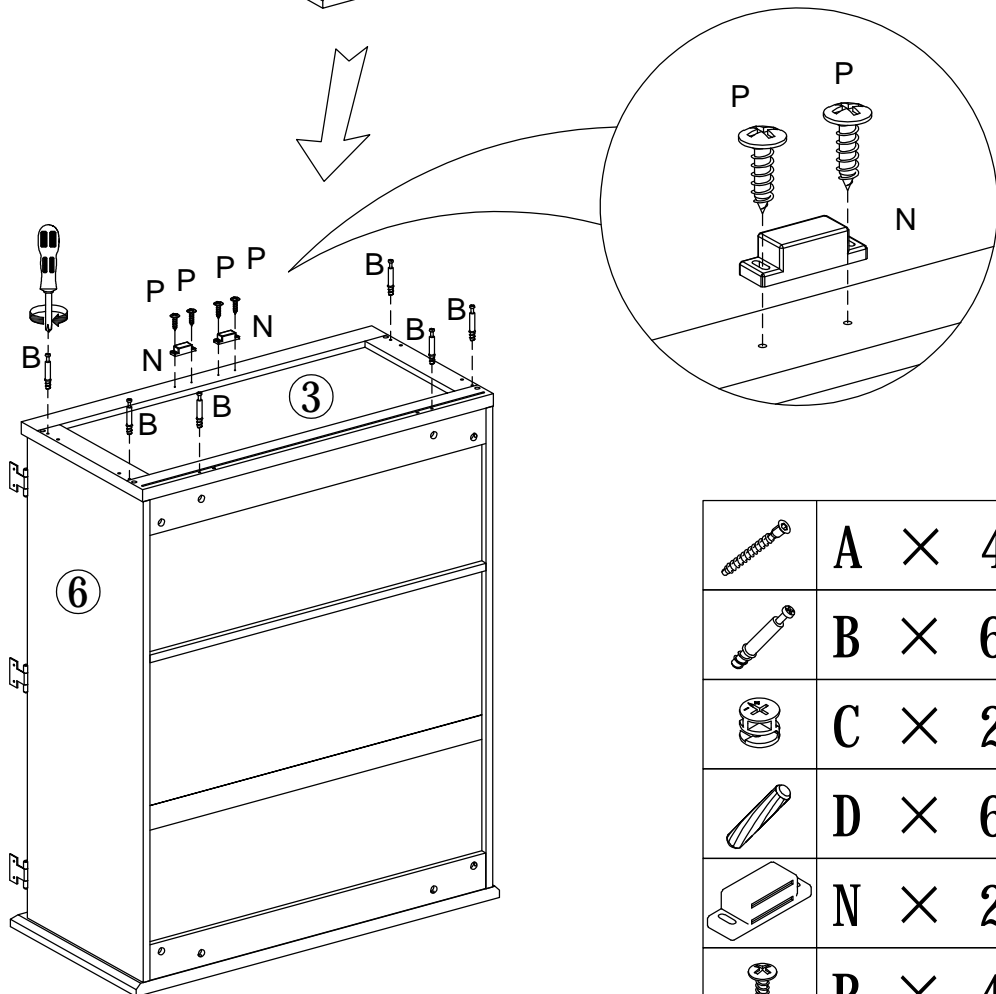
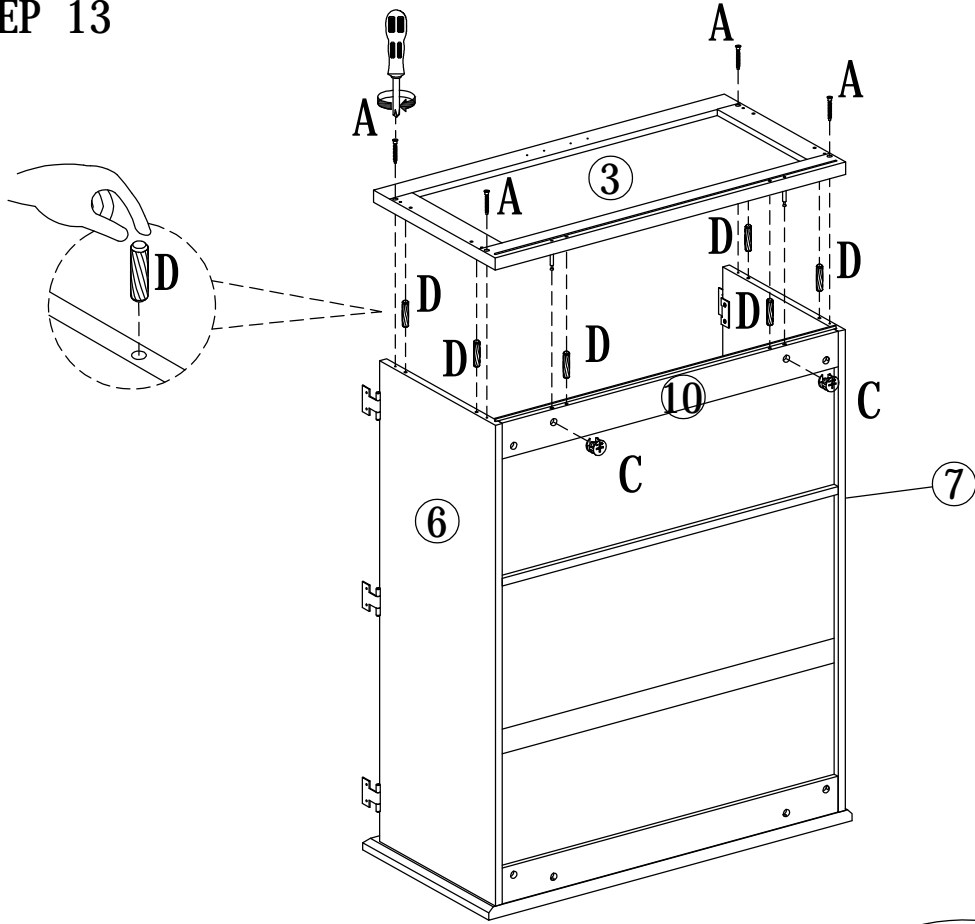
	C × 6PCS
	D × 6PCS





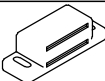

STEP 12



	<b>B × 2PCS</b>
---	-----------------

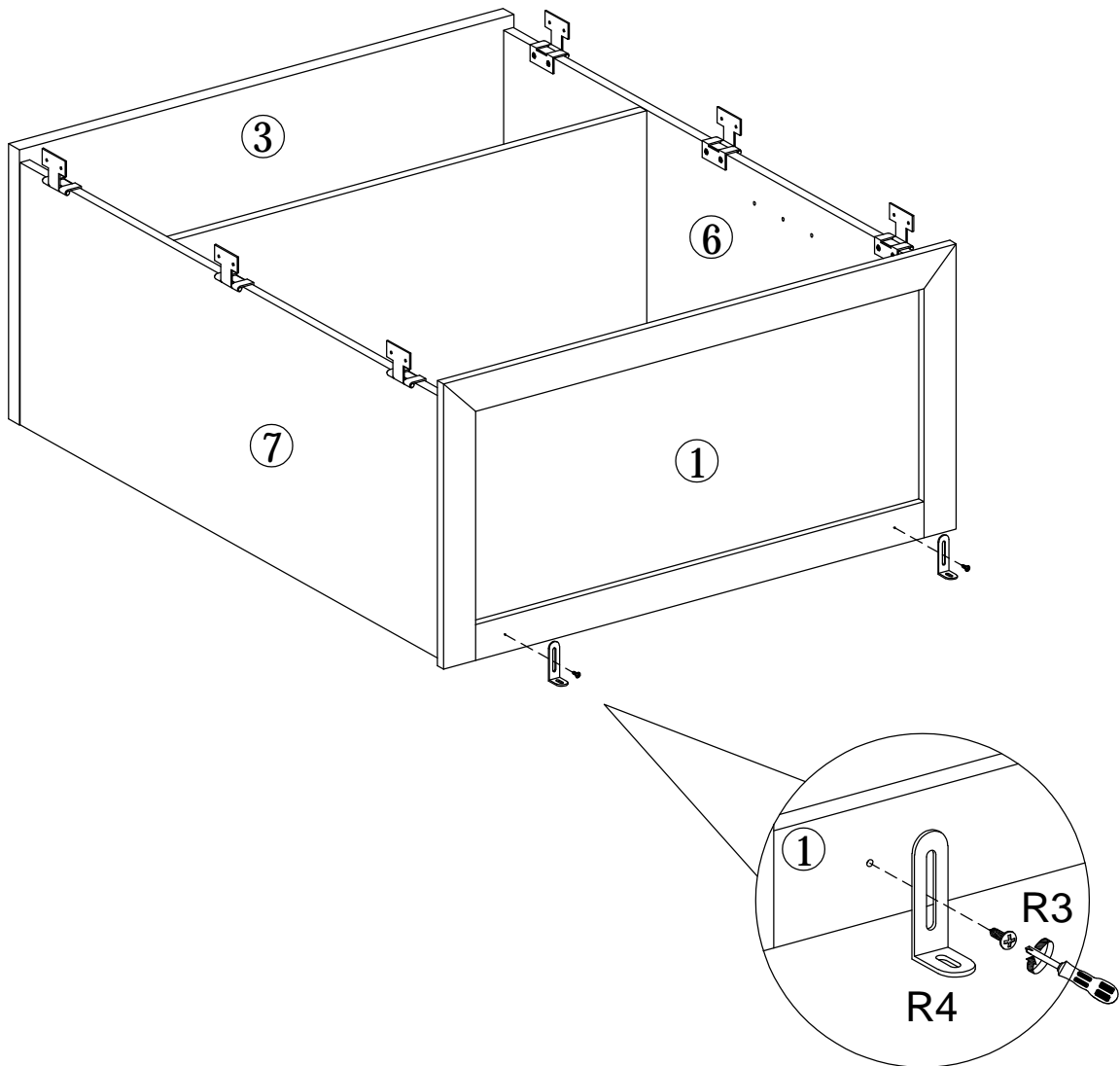
# STEP 13





	A × 4PCS
	B × 6PCS
	C × 2PCS
	D × 6PCS
	N × 2PCS
	P × 4PCS

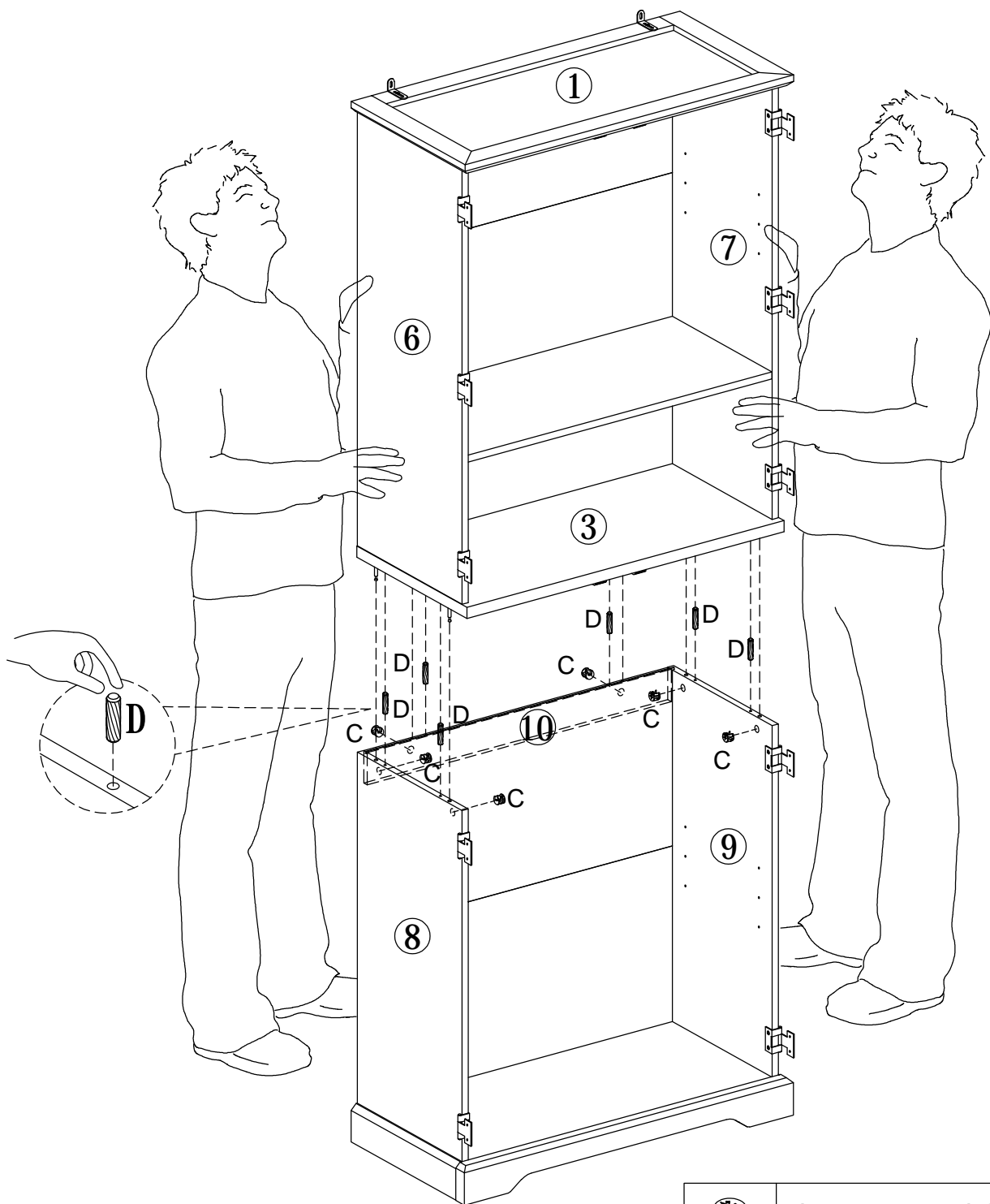
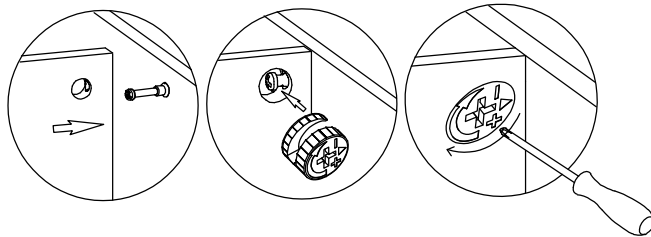
# STEP 14



Note: Place the anti-tip device R4 at the rear top position of the side panel, and secure it with screw R3.



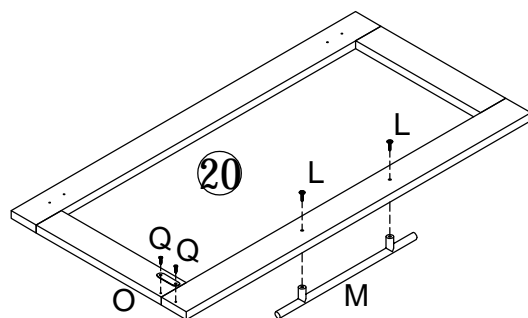
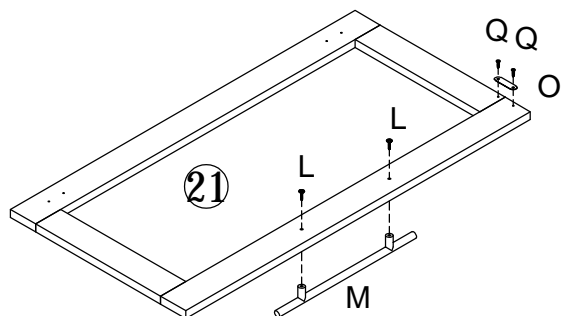
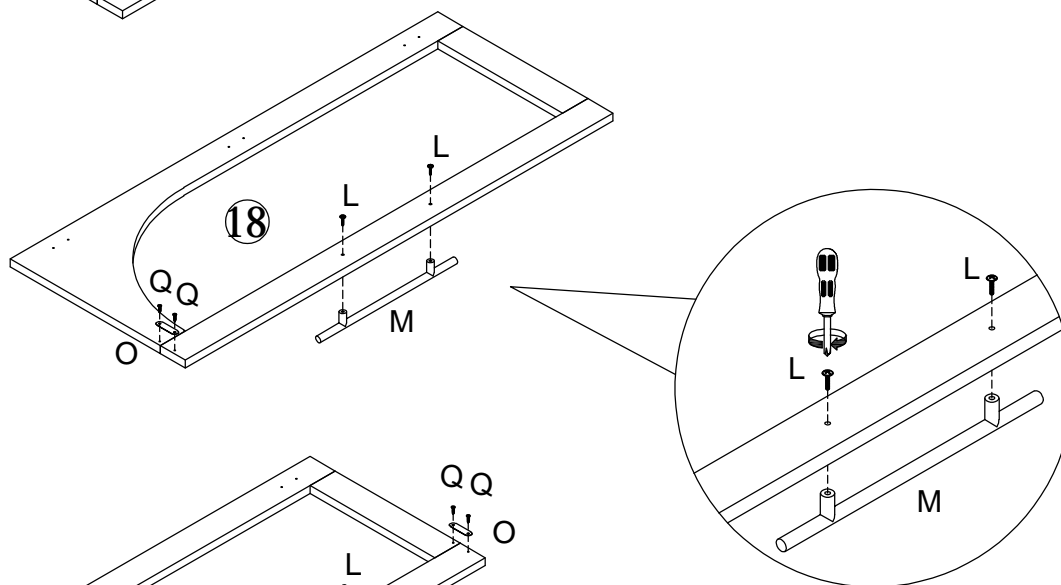
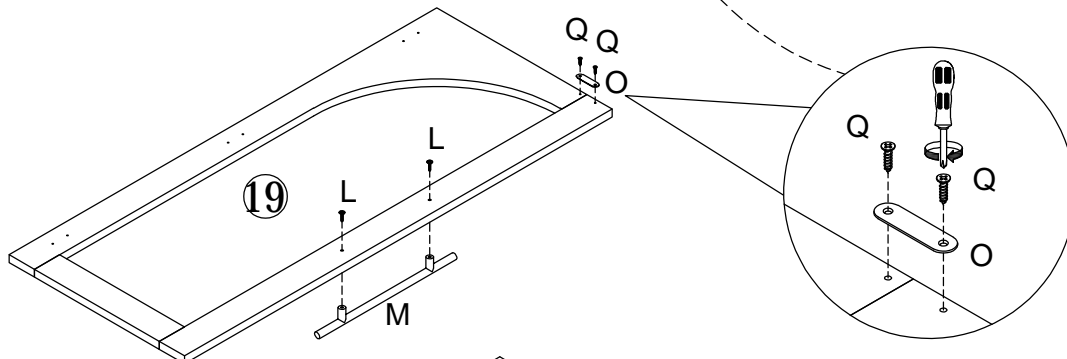
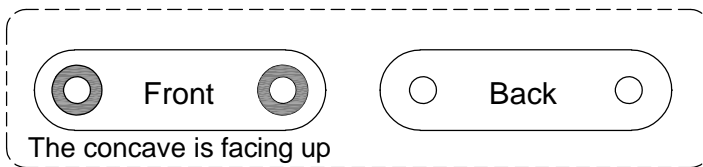
 R3	 R4	R × 2SET
--	---	----------

# STEP 15



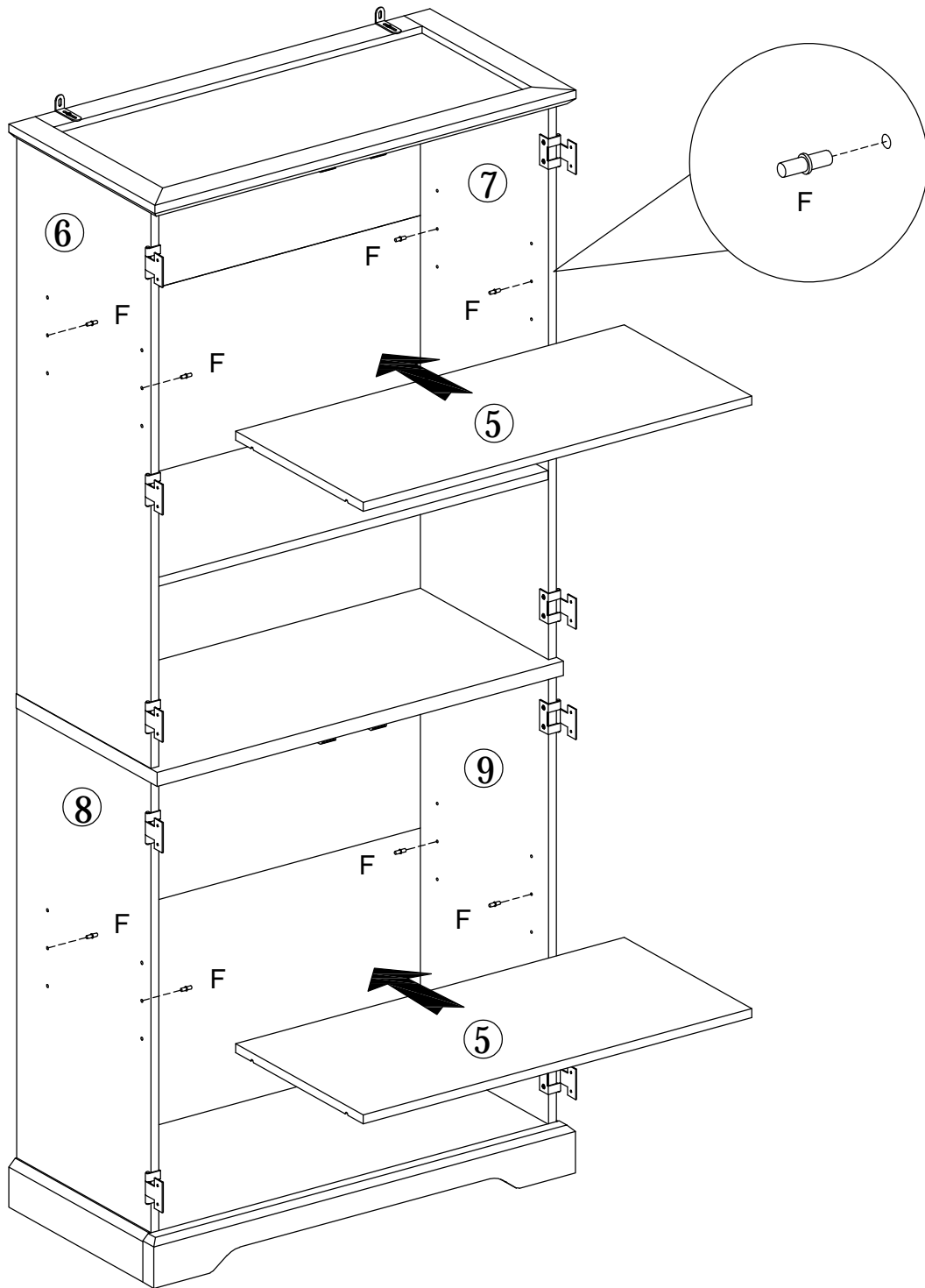
	<b>C × 6PCS</b>
	<b>D × 6PCS</b>

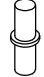
# STEP 16



	L × 8PCS
	M × 4PCS
	O × 4PCS
	Q × 8PCS

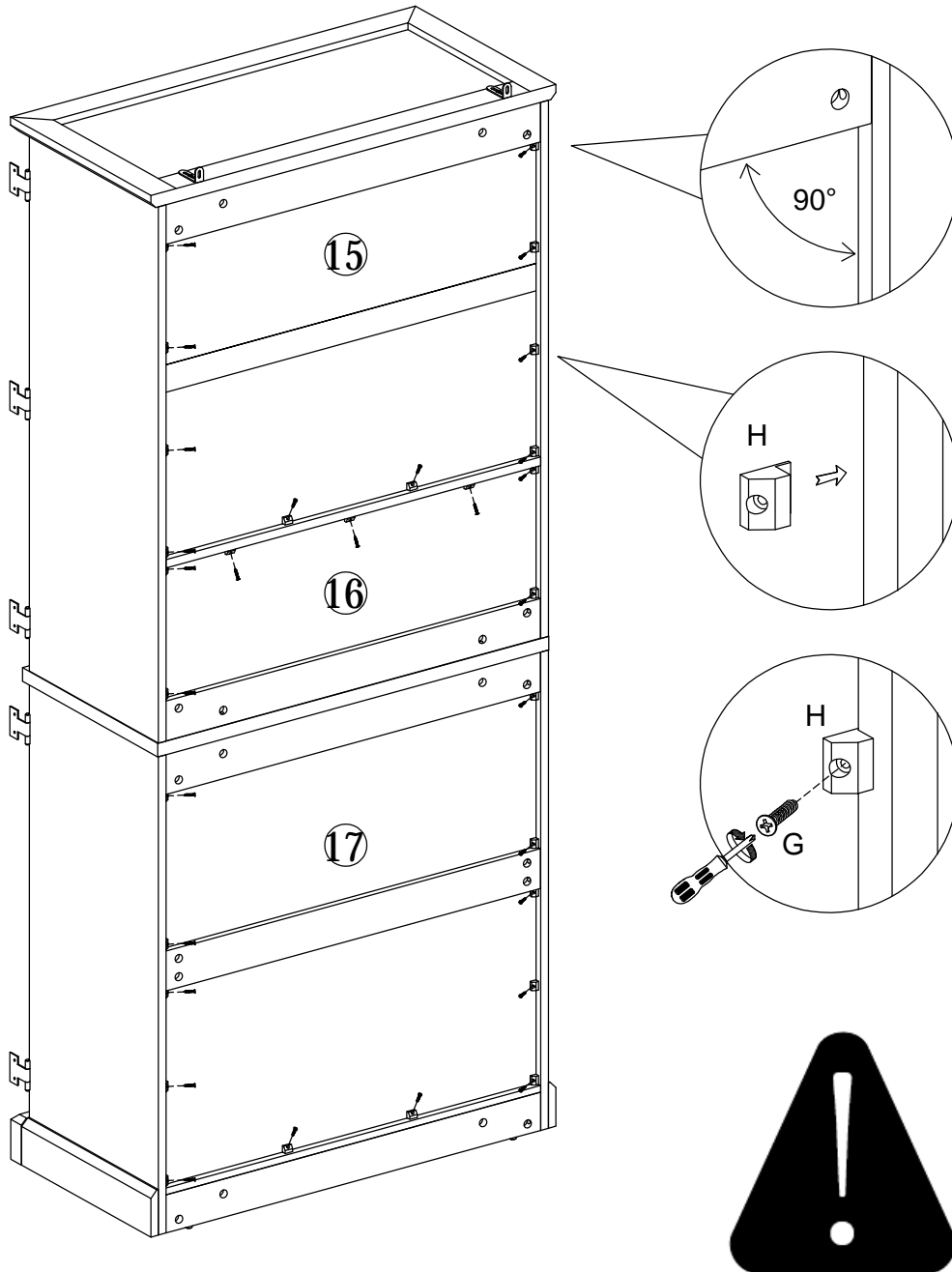
# STEP 17



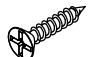

	<b>F × 8PCS</b>
---	-----------------

# STEP 18

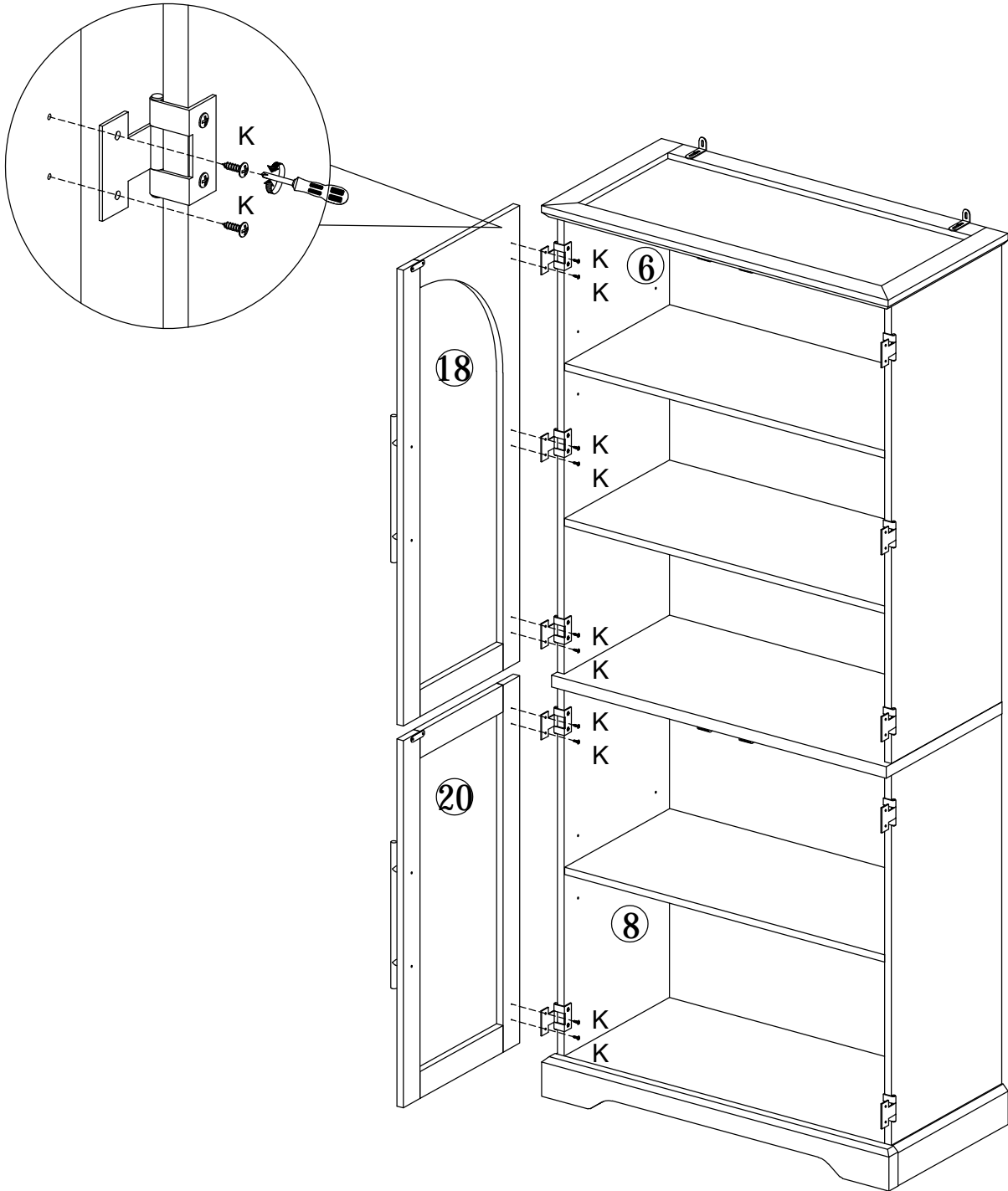
Attention: Before install the mending wedges, make sure that the angle of the cabinet's corner is 90°




Attention: Please be sure to install these mending wedges to ensure the stability of the cabinet!!!!

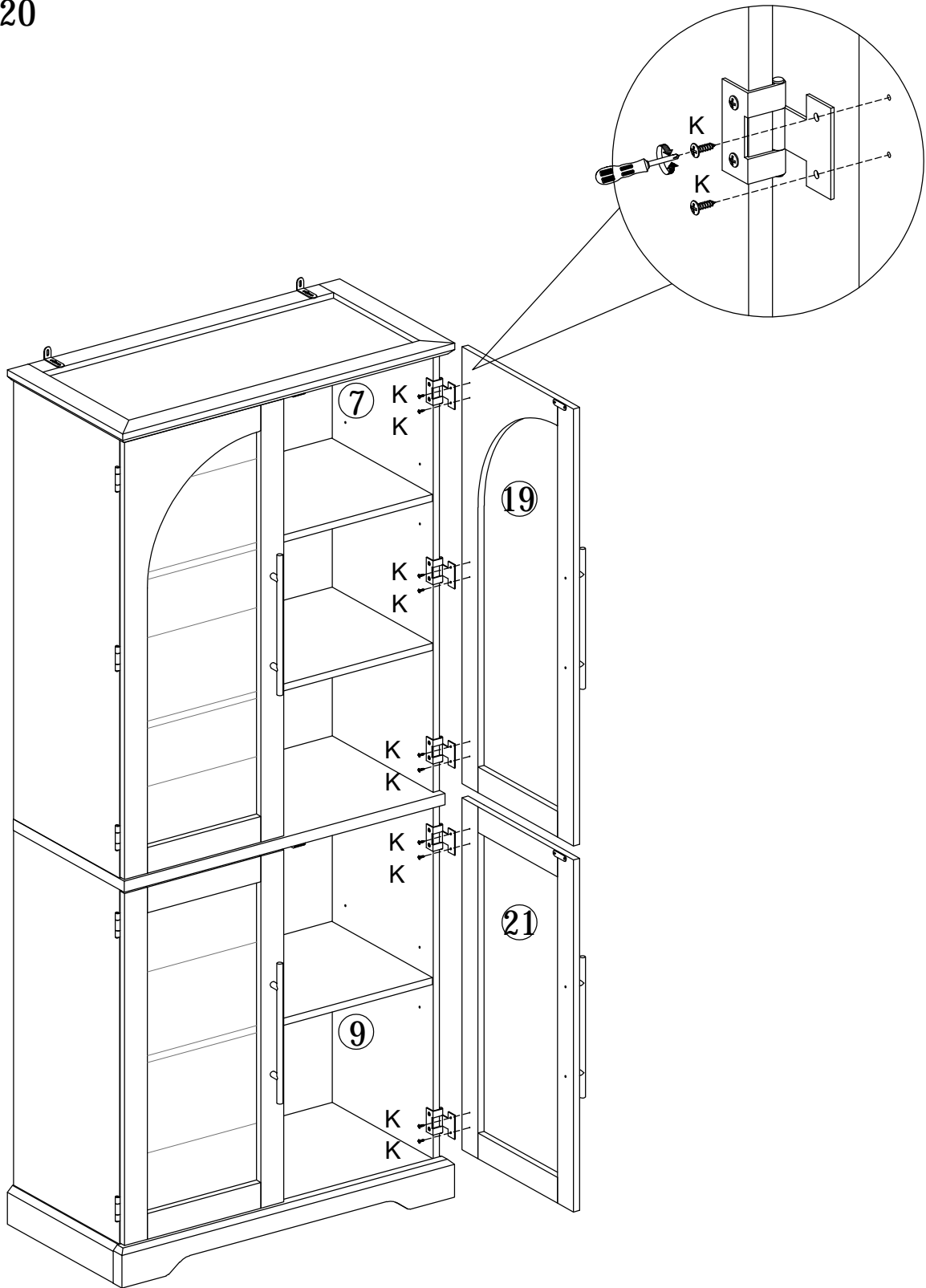
	G × 29PCS
	H × 29PCS


# STEP 19



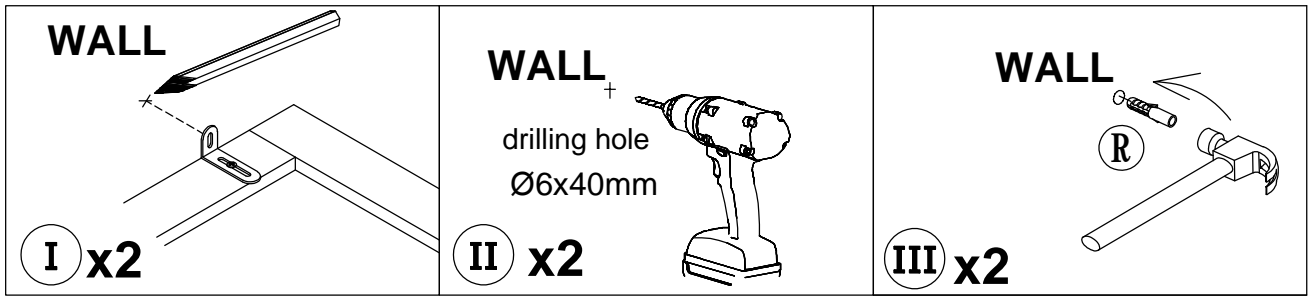
	<b>K × 10PCS</b>
---	------------------

STEP 20



	<b>K × 10PCS</b>
---	------------------

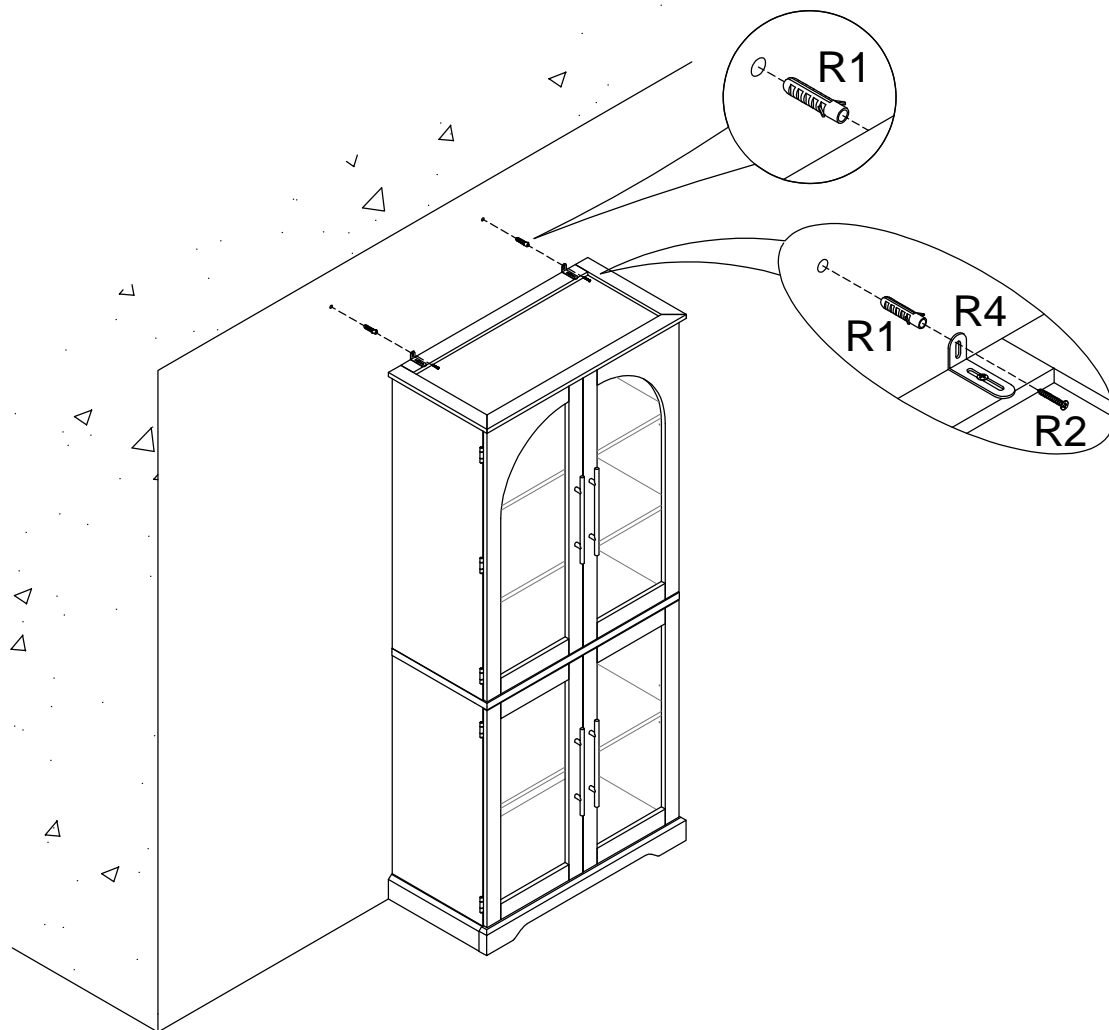
# STEP 21




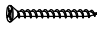
Mark the drill positions on the wall with a pencil.

Drill the holes on the marked positions.

Insert the wall anchors into the drilled holes.



Drill a hole in the wall, then hammer the R1 into the wall with a hammer.  
Note: Follow step link R4 and R1 with a R2 using a screwdriver, and assembly it tightly.

		<b>R</b> × <b>2SET</b>
R1	R2	

**STEP 22**

