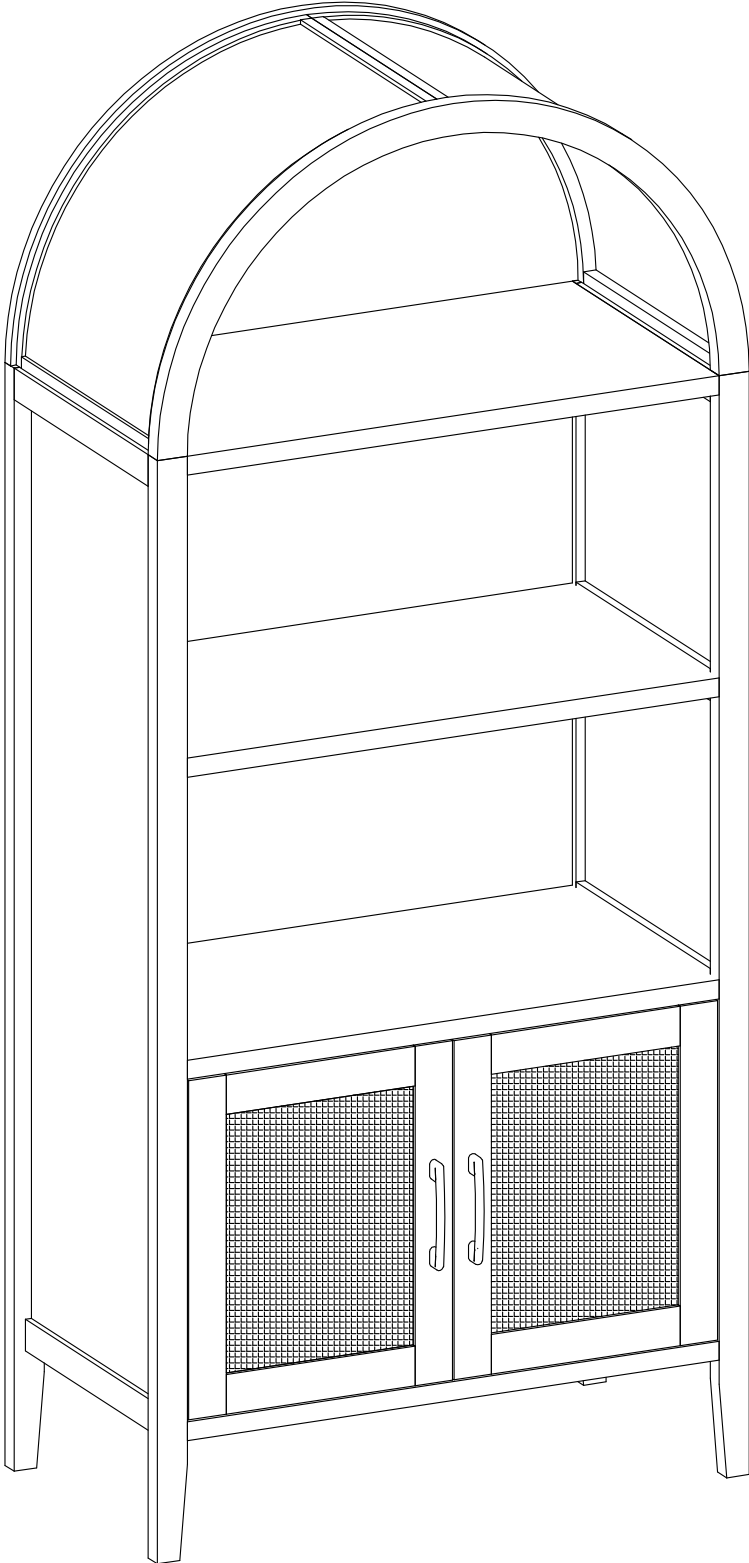


Bookshelf

ASSEMBLY INSTRUCTIONS

PG-02BS040A-BWW03



General Guidelines

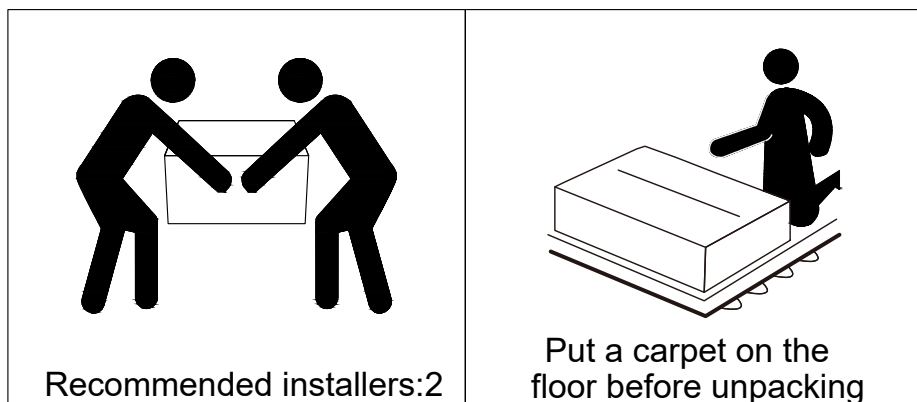
- * Please read the following instruction carefully and use the product accordingly.
- * Please keep this manual and hand it over when you transfer the product.
- * This summary may not include every detail of all variations and considered steps. Please contact us when further information and help are needed.

Notes

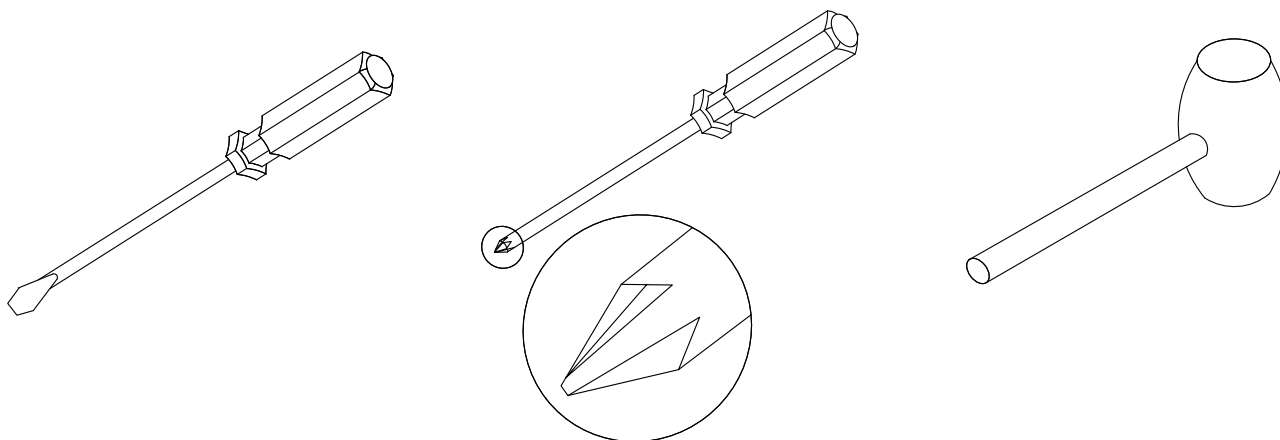
- * The product is intended for indoor use only. The product must be assembled and used in accordance with the provisions of the manual. Personal injury and/or damage to product may occur if products are used outside of their intended purposes and/or if products have been changed/modified from their original design. The seller does not assume any responsibility or liability with respect to any injury/damage caused by incorrect assembly or improper use.
- * If there are any defective or missing parts after unpacking, please cease assembly immediately and contact us.
- * Please wear gloves during the assembly and/or disassembly process to avoid scratches from any sharp edges..
- * Please place this item on level, solid ground during use.
- * Avoid long-term exposure to humid environments to prevent mildew.
- * Keep the product away from fire sources and high temperatures. Do not expose the product to direct sunlight.
- * Do not place any hot objects on the surface of the product.
- * **Do not fully tighten the screws during initial assembly. Fully tighten screws only once all pieces which are correctly assembled**

Warnings

- * Children are not allowed to assemble the product. During assembly, keep all any small parts out of the reach of children as they may be fatal if swallowed or inhaled.
- * Children are forbidden to climb or play on the product to avoid serious bodily injury caused by the toppling.
- * Keep plastic packing bags out of reach of children to avoid any potential danger, such as suffocation.
- * The product should be attached to the wall with the included anti-tipping kit to prevent personal injury caused by accidentally tipping over.



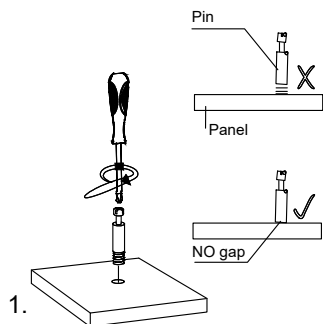
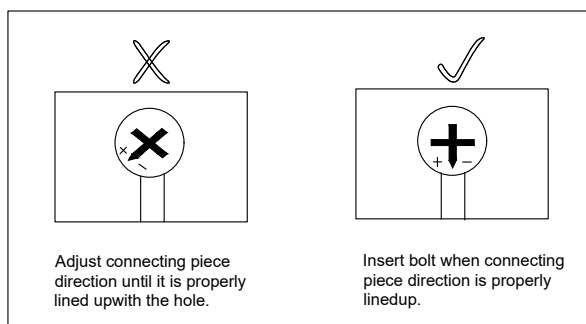
ASSEMBLY TOOLS REQUIRED (NOT INCLUDED)



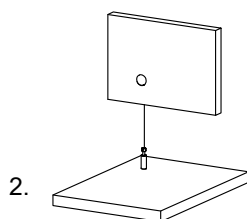
Bolt



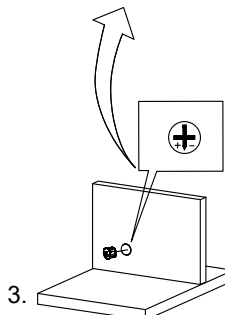
Connecting piece



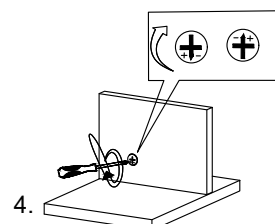
1.



2.

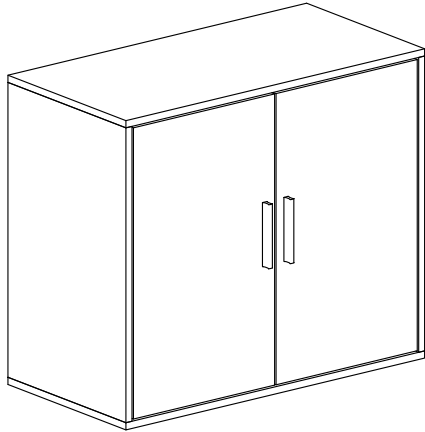


3.



4.

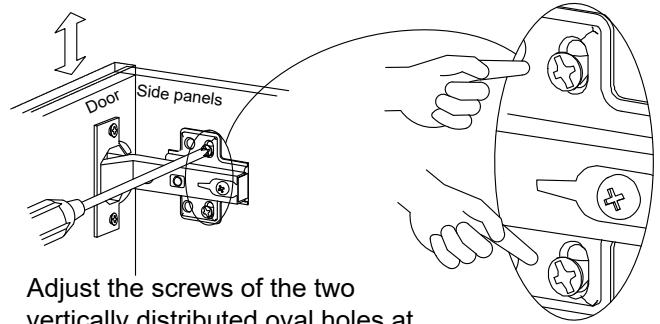
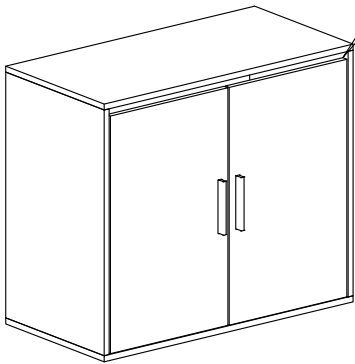
How to adjust the gap between door panels?



When the space on the four sides is uneven, please refer to the following situations to adjust the hinges

How to adjust the uneven gap between the door panel and the top?

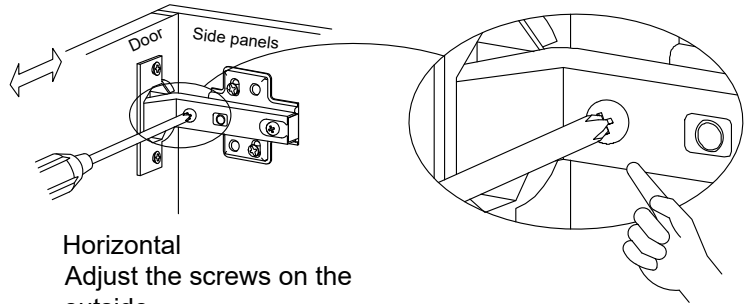
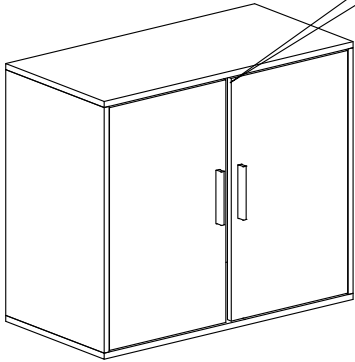
1.



Adjust the screws of the two vertically distributed oval holes at the same time

How to adjust the uneven gap between the 2 doors?

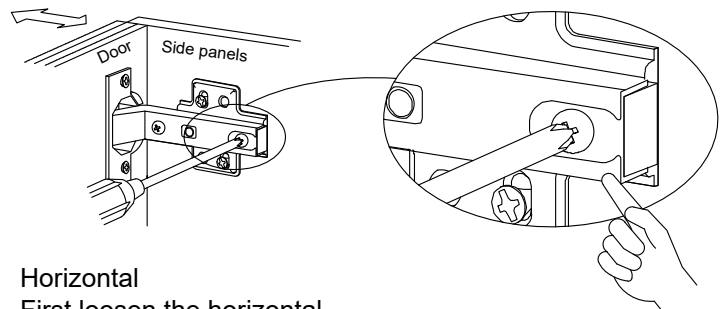
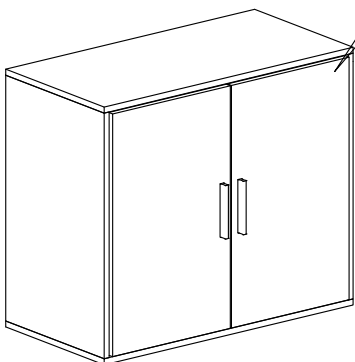
2.



Horizontal
Adjust the screws on the outside

How to adjust the uneven door panel and cabinet?

3.



Horizontal
First loosen the horizontal screws, align the door with the cabinet, and then tighten the screws in the inner oval holes.

Hardware Provided

a



X23+2

b



X 23+2

c



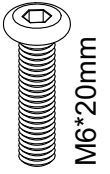
X22+2

d



X 5

e



X 10

f



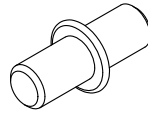
X 24+2

g



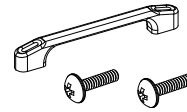
X 4

h



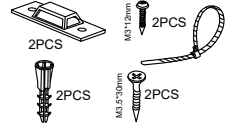
X 4

i



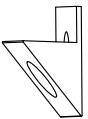
X2

j



X 2

k



X 14+1

l



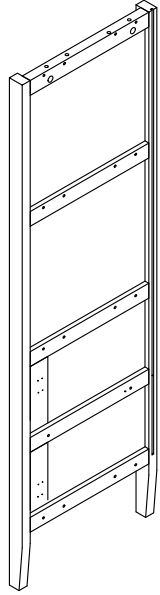
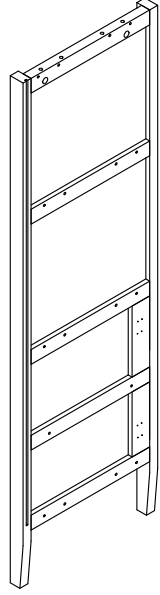
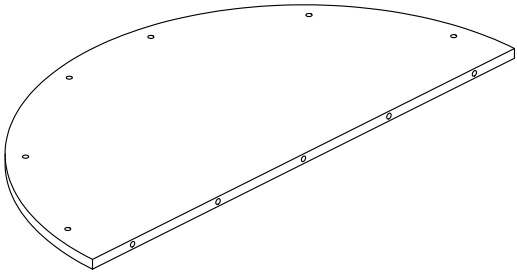
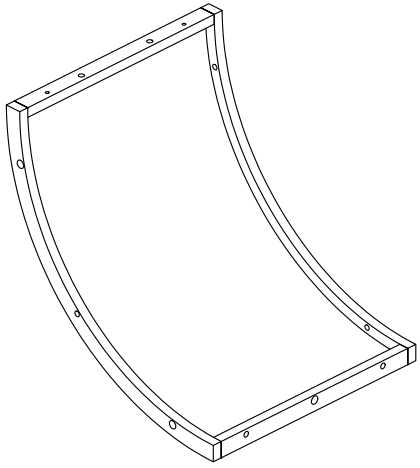
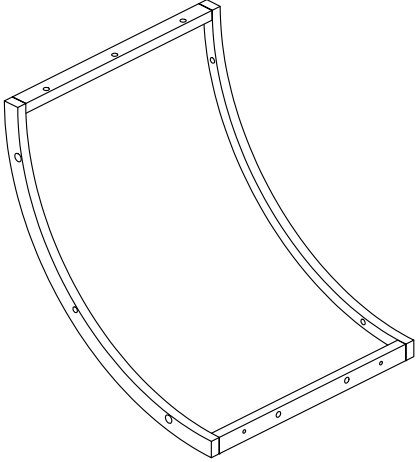
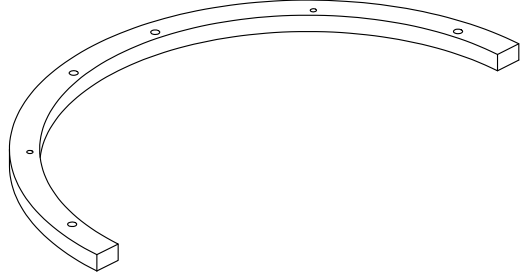
X 14+1

m



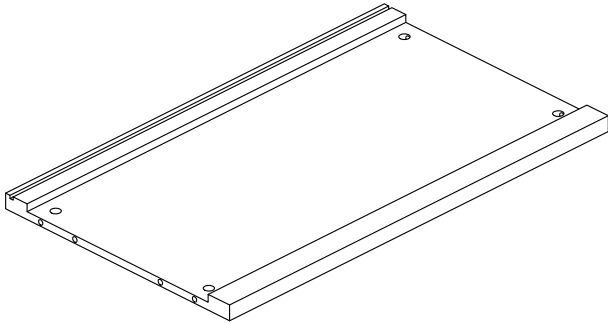
X 1

Parts Identification

<p>1</p>  <p>X 1</p>	<p>2</p>  <p>X 1</p>
<p>3</p>  <p>X 1</p>	<p>4</p>  <p>X 1</p>
<p>5</p>  <p>X 1</p>	<p>6</p>  <p>X 1</p>

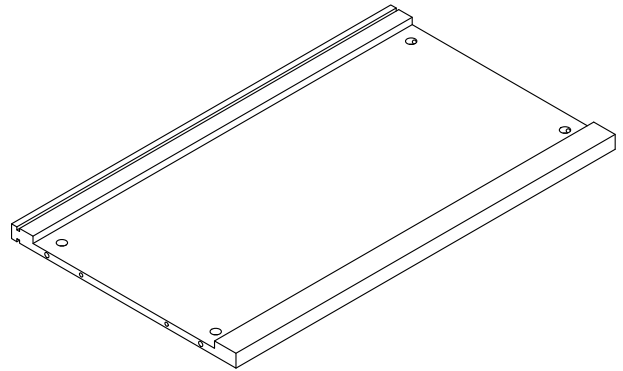
Parts Identification

7



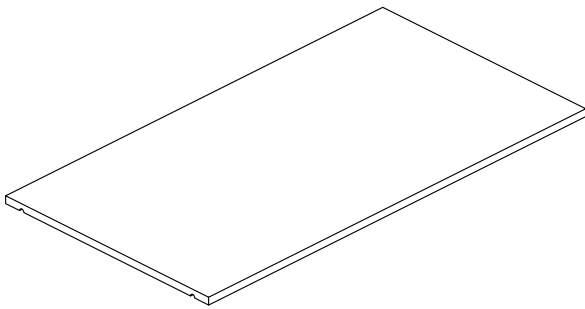
X 1

8



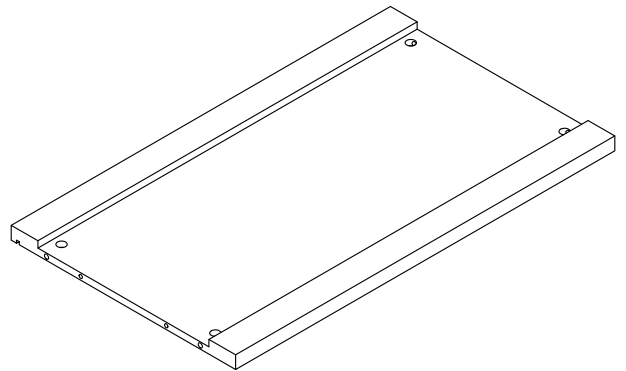
X 2

9



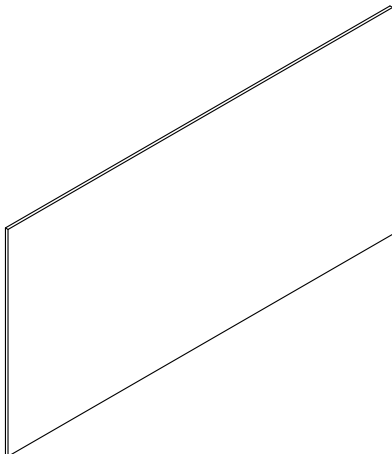
X 1

10



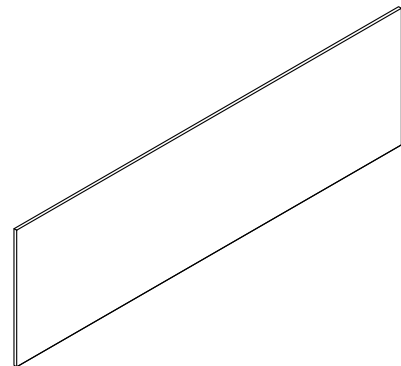
X 1

11



X 2

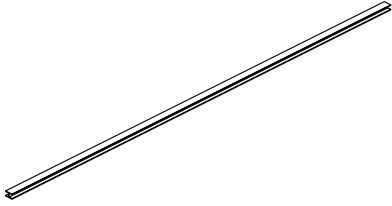
12



X 2

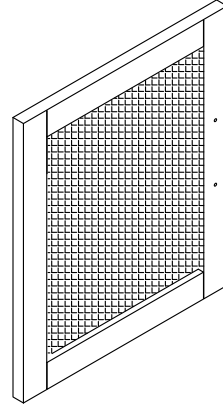
Parts Identification

13



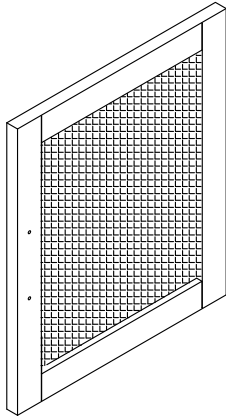
X 1

14



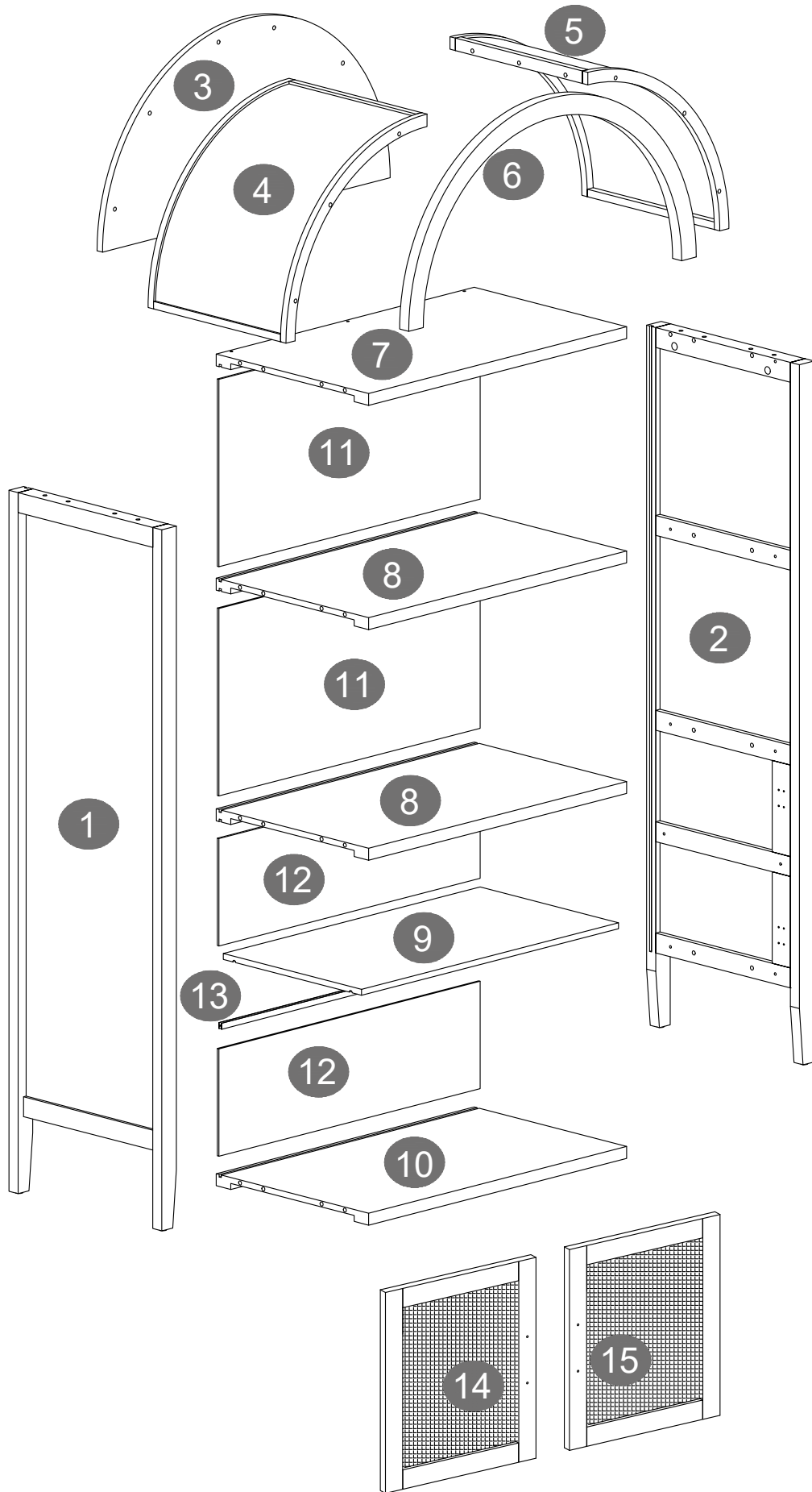
X 1

15

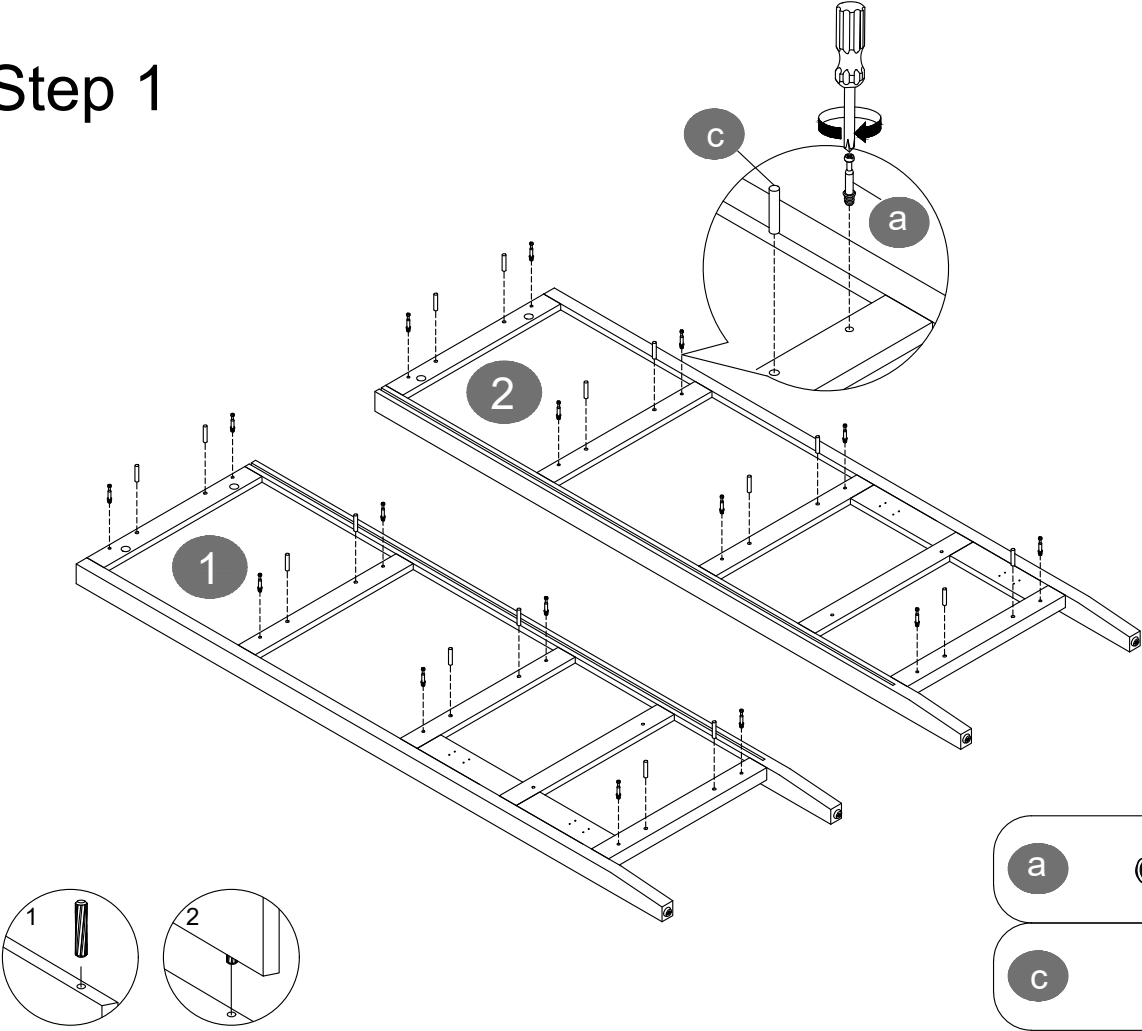


X 1

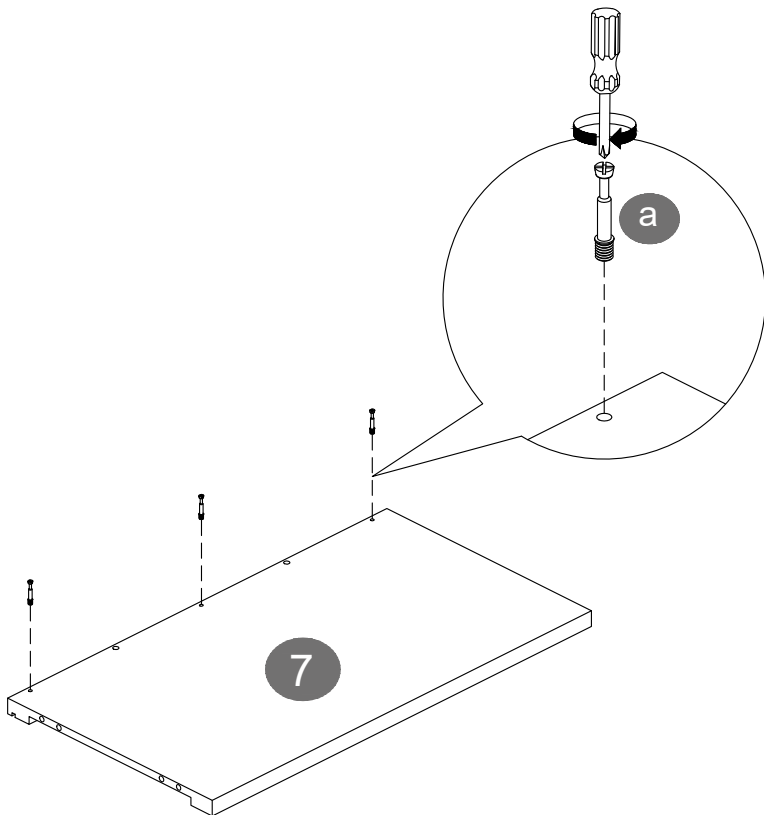
Exploded View



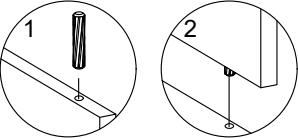
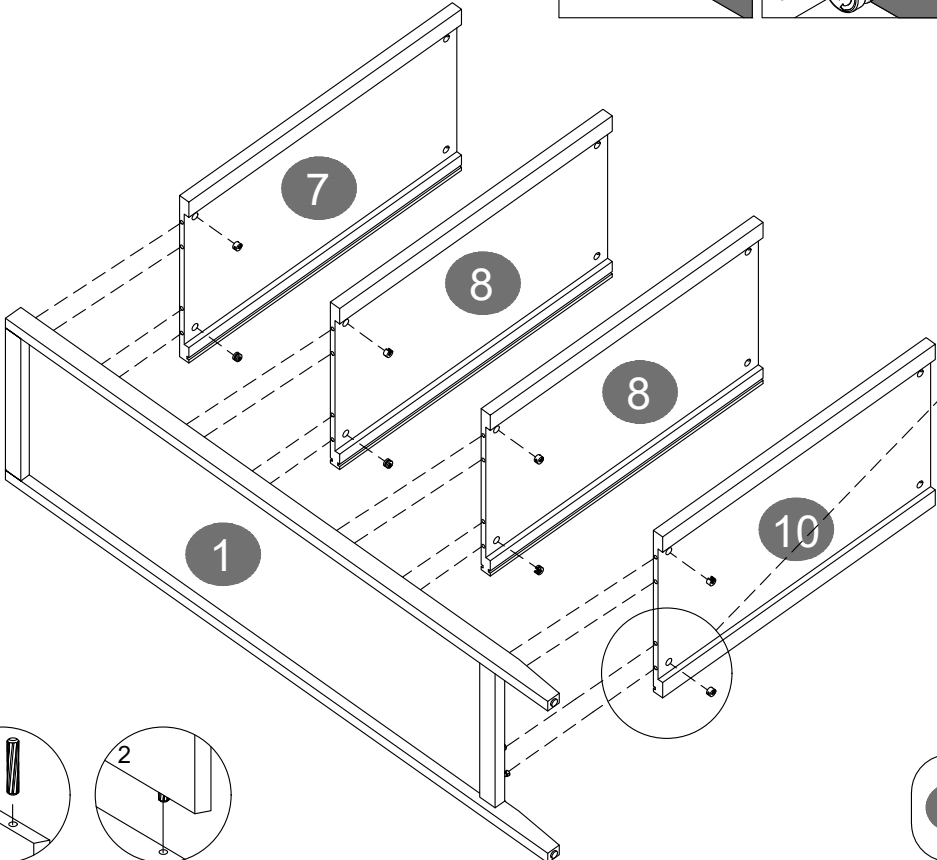
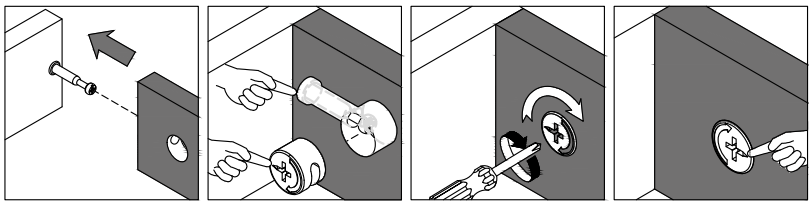
Step 1



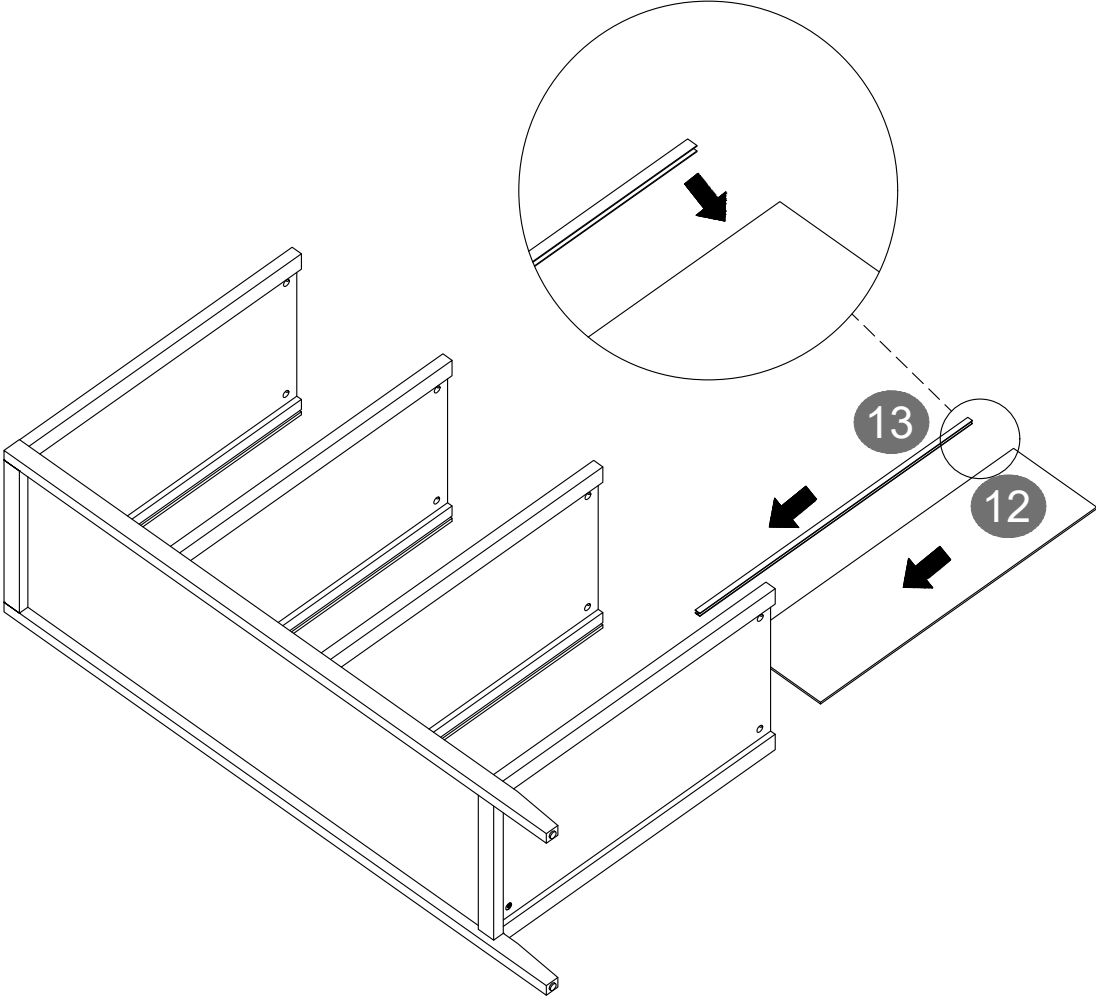
Step 2



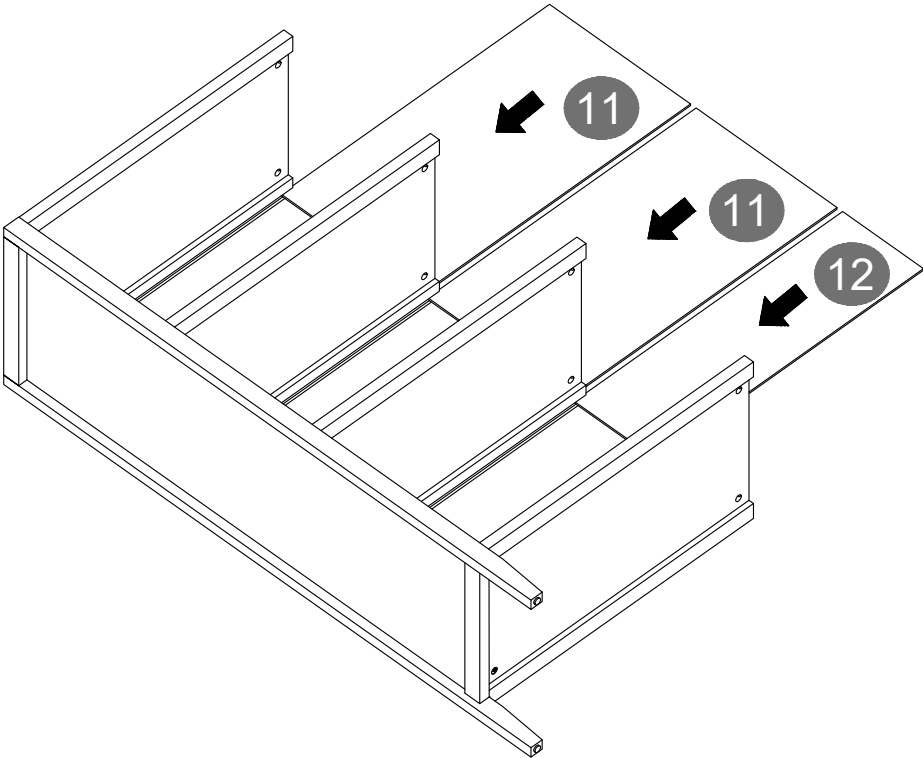
Step 3



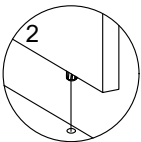
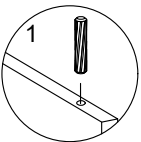
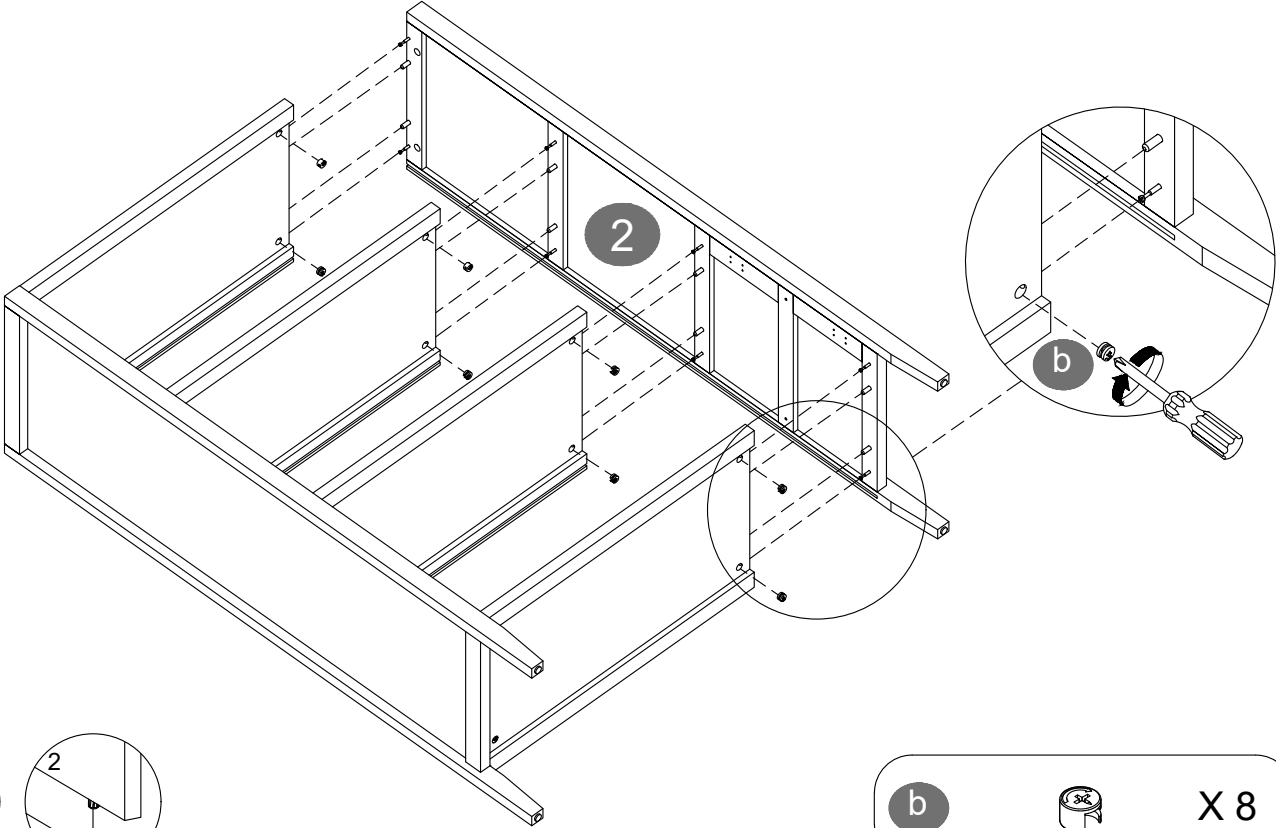
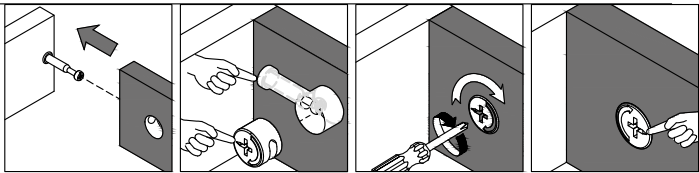
Step 4



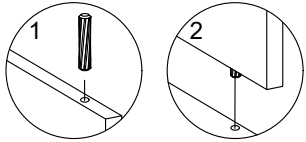
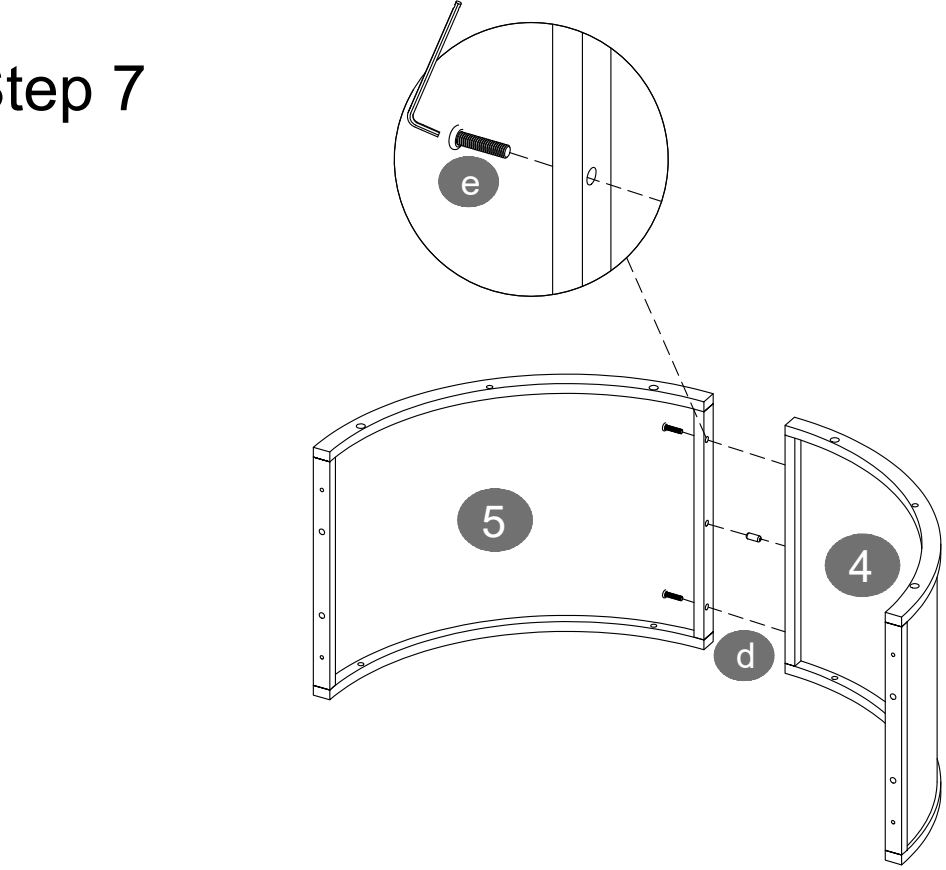
Step 5





Step 6

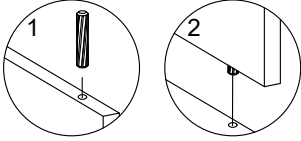
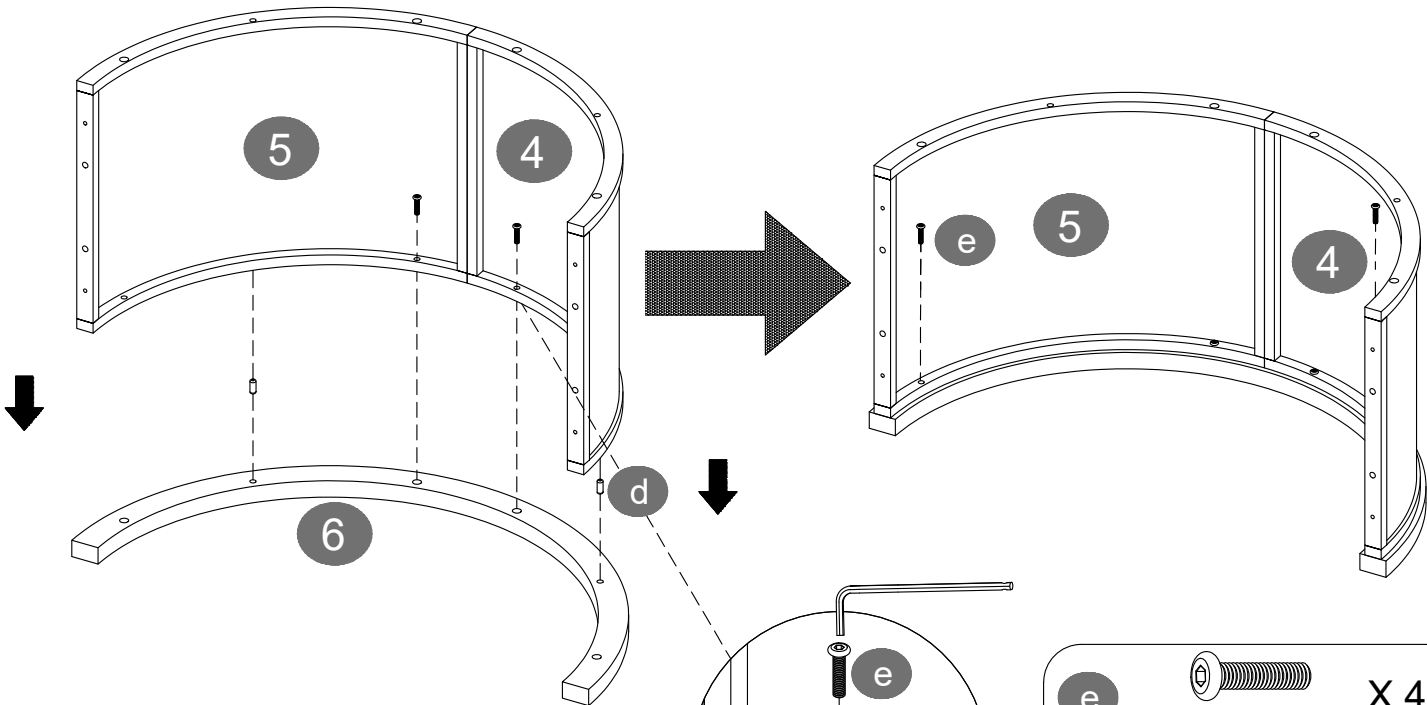


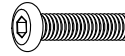

Step 7



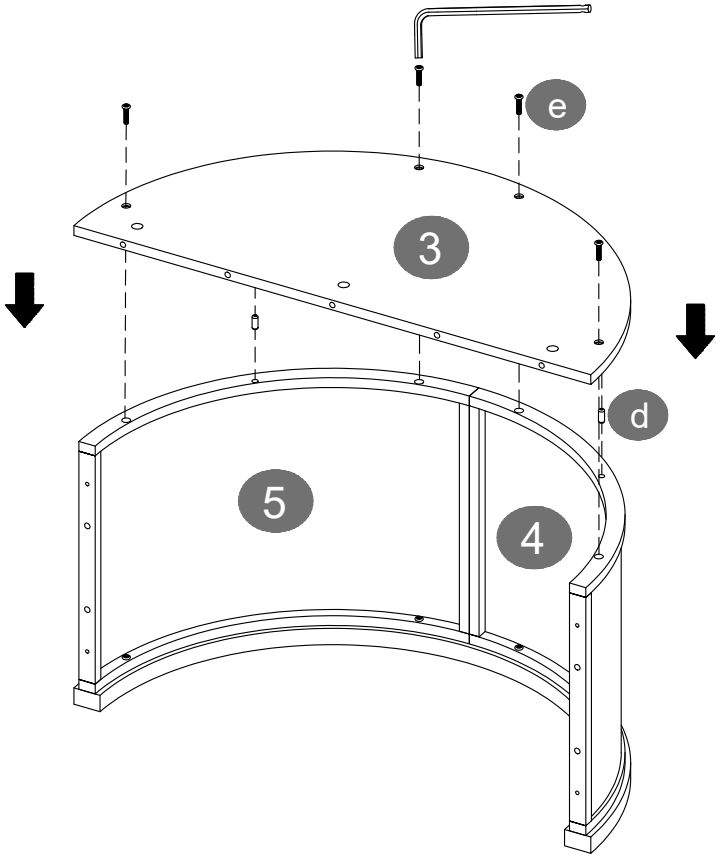
- e**  M6*20mm X 2
- d**  M8*20mm X 1



Step 8



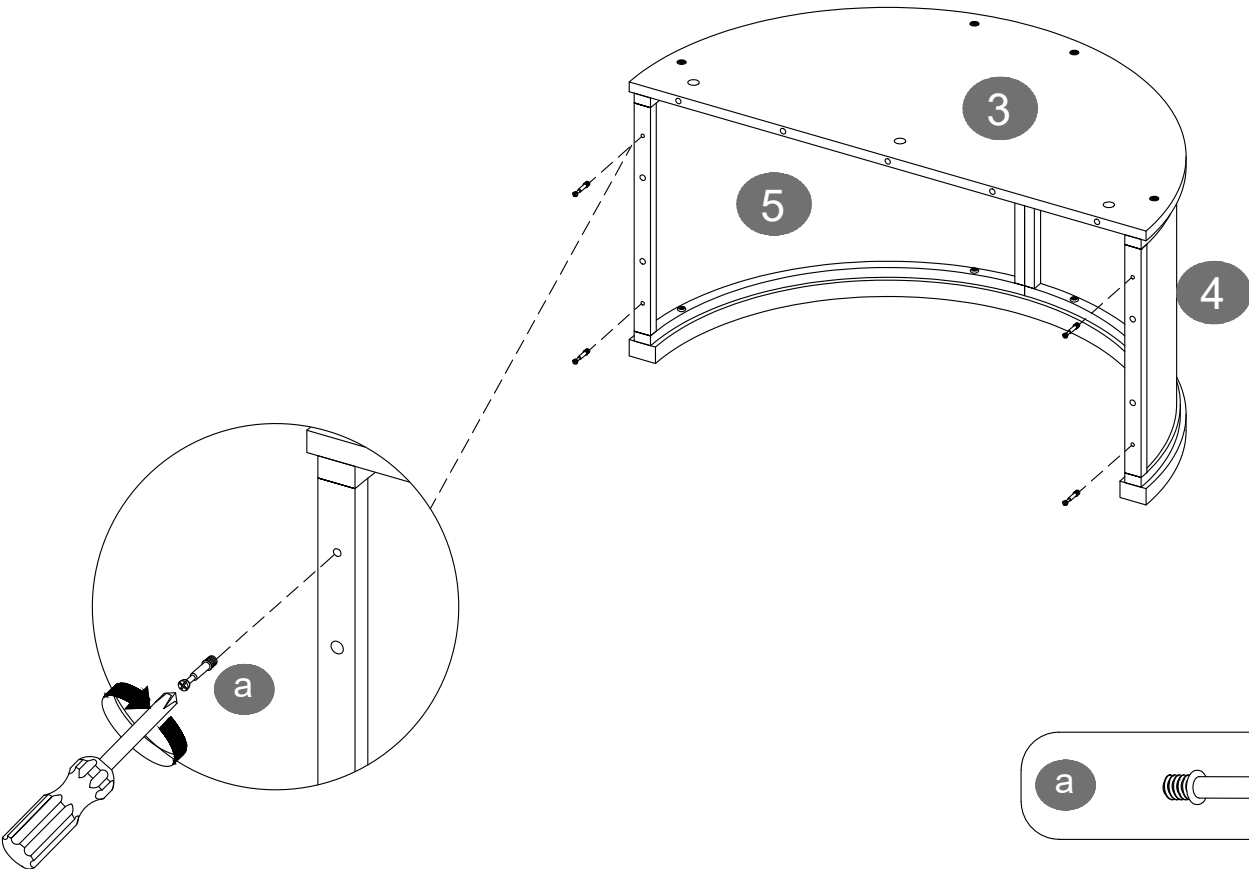
- e**  M6*20mm X 4
- d**  M8*20mm X 2

Step 9

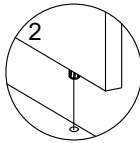
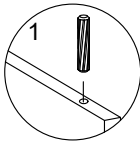
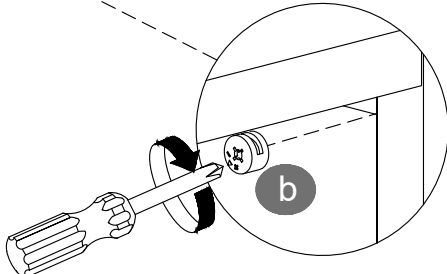
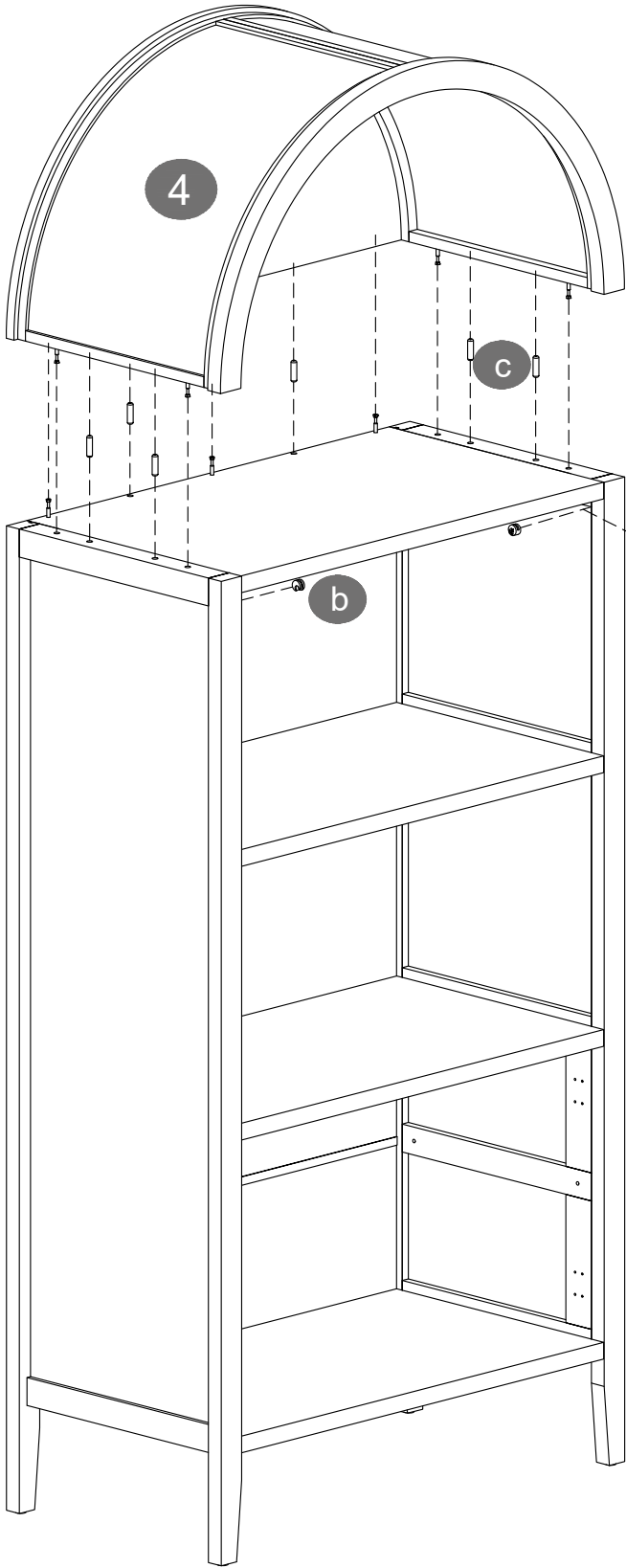
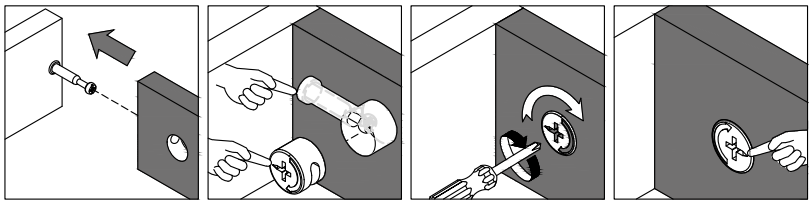




- e**  X 4
M6*20mm
- d**  X 2
M8*20mm

Step 10

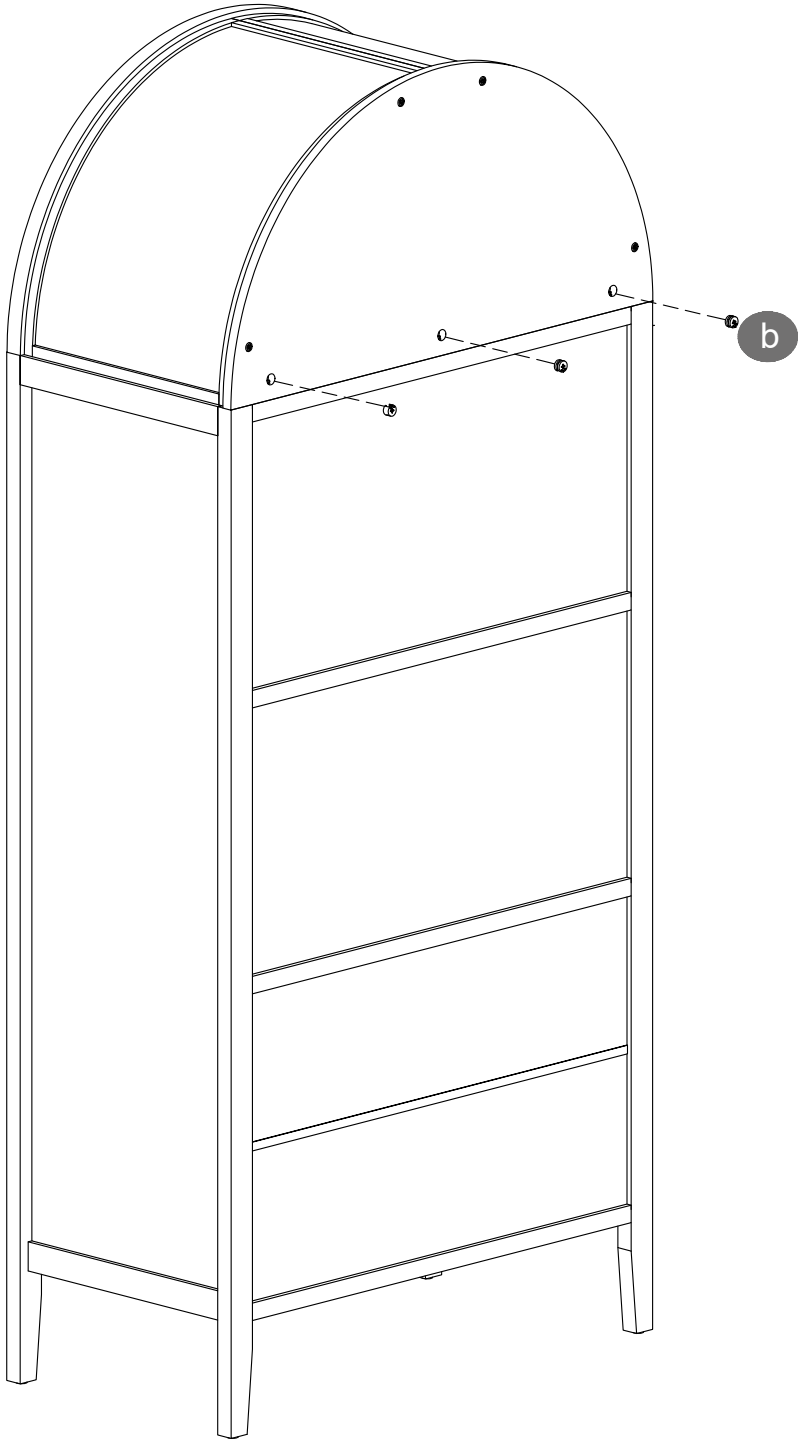
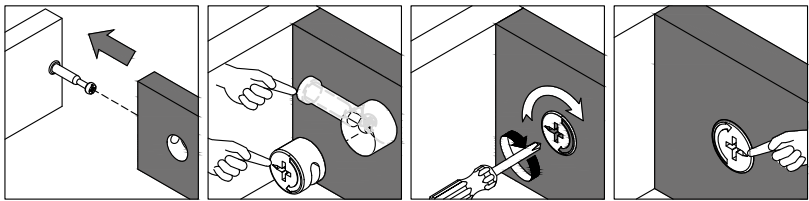


Step 11



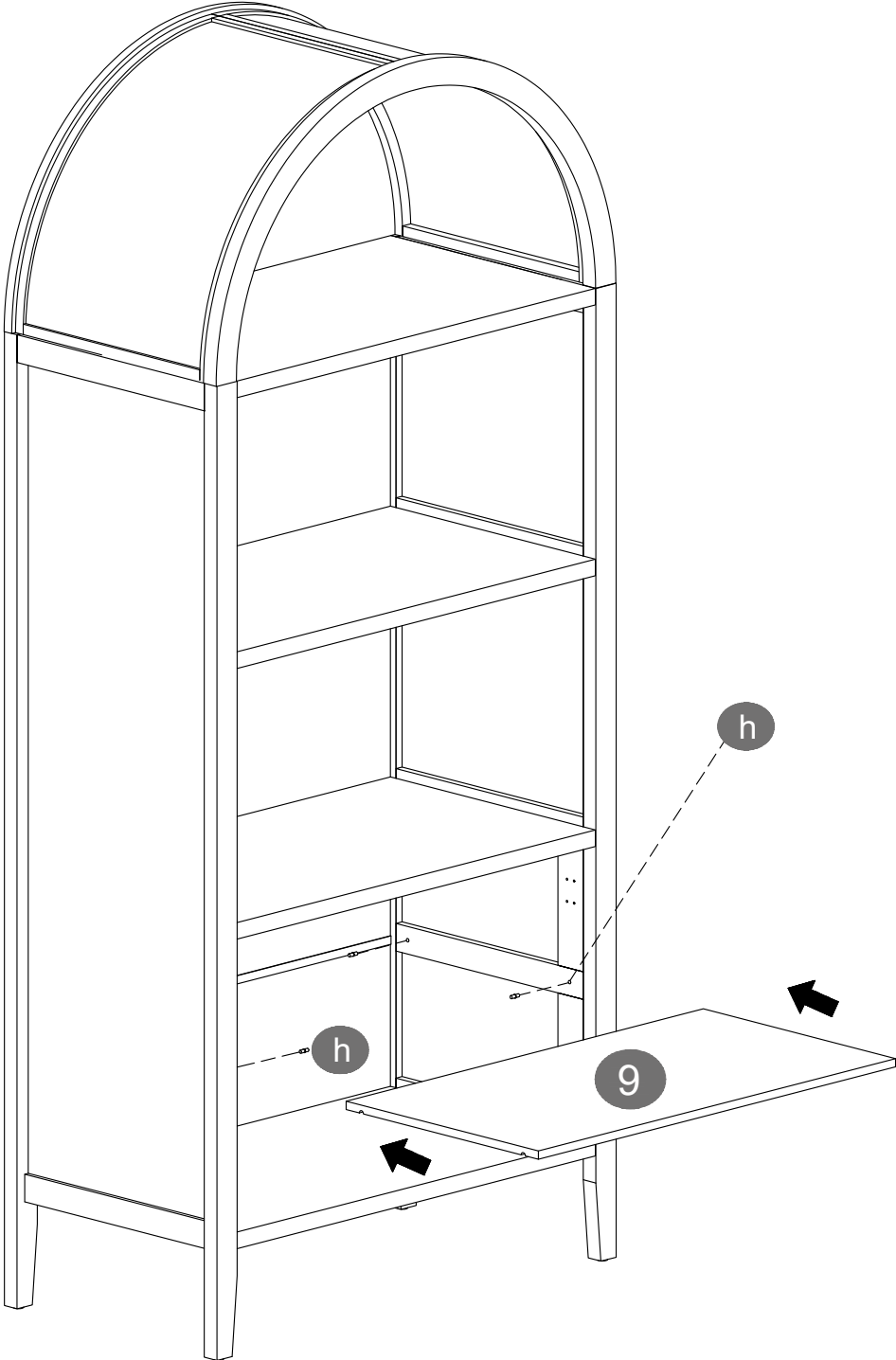
- c**  M8*30mm X 6
- b**  X 4


Step 12



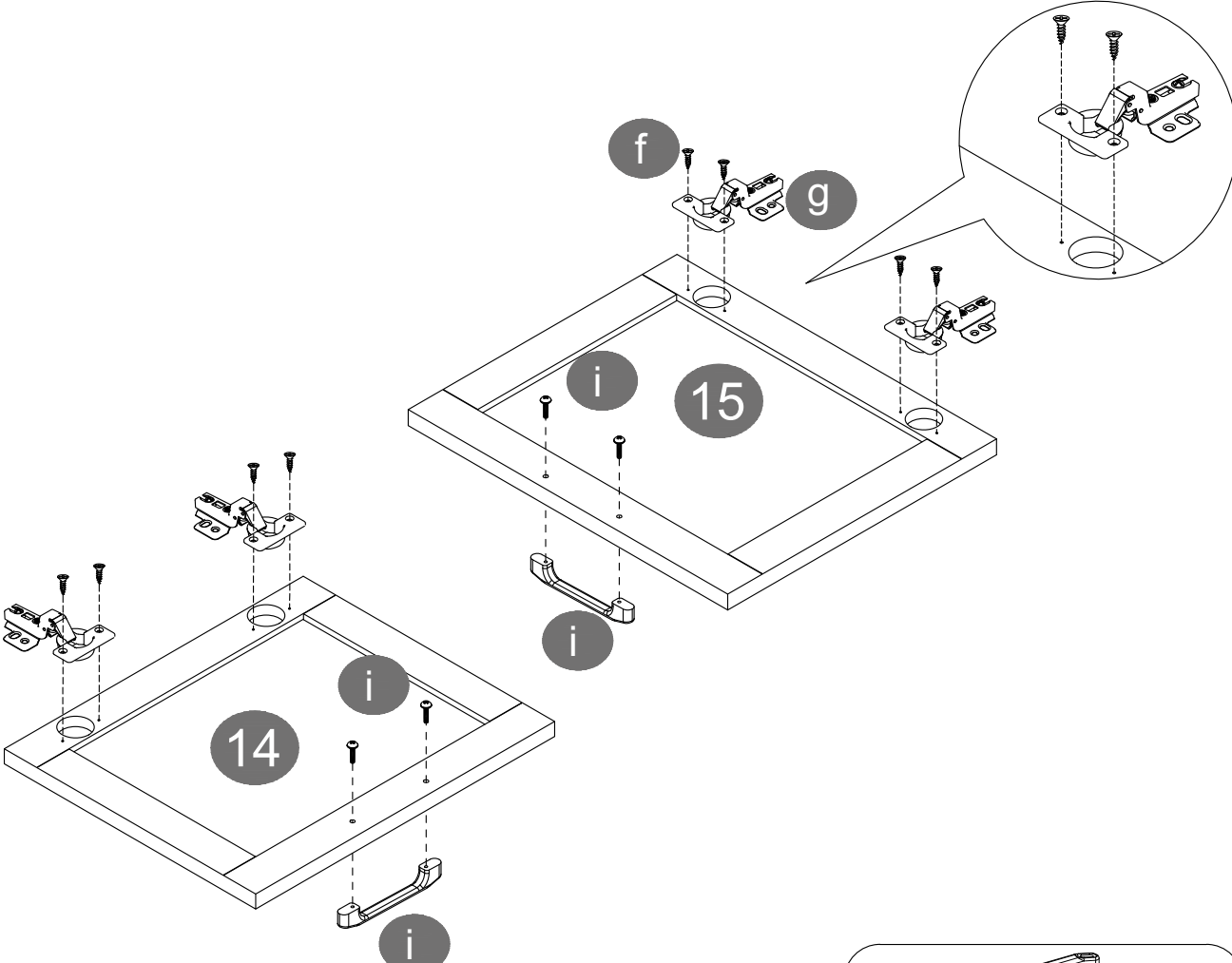
b  X 3

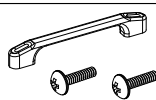


Step 13



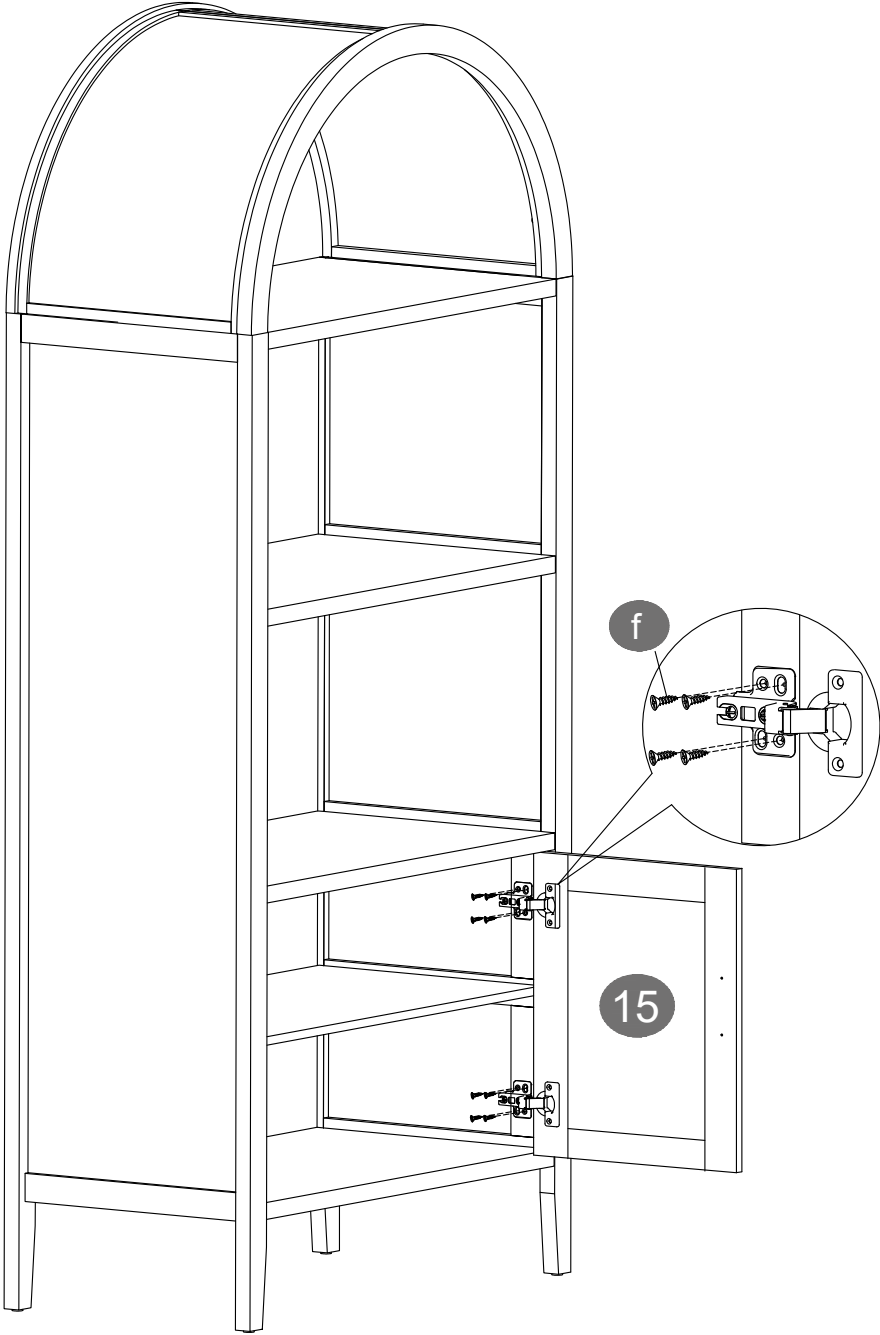
h  X 4

Step 14



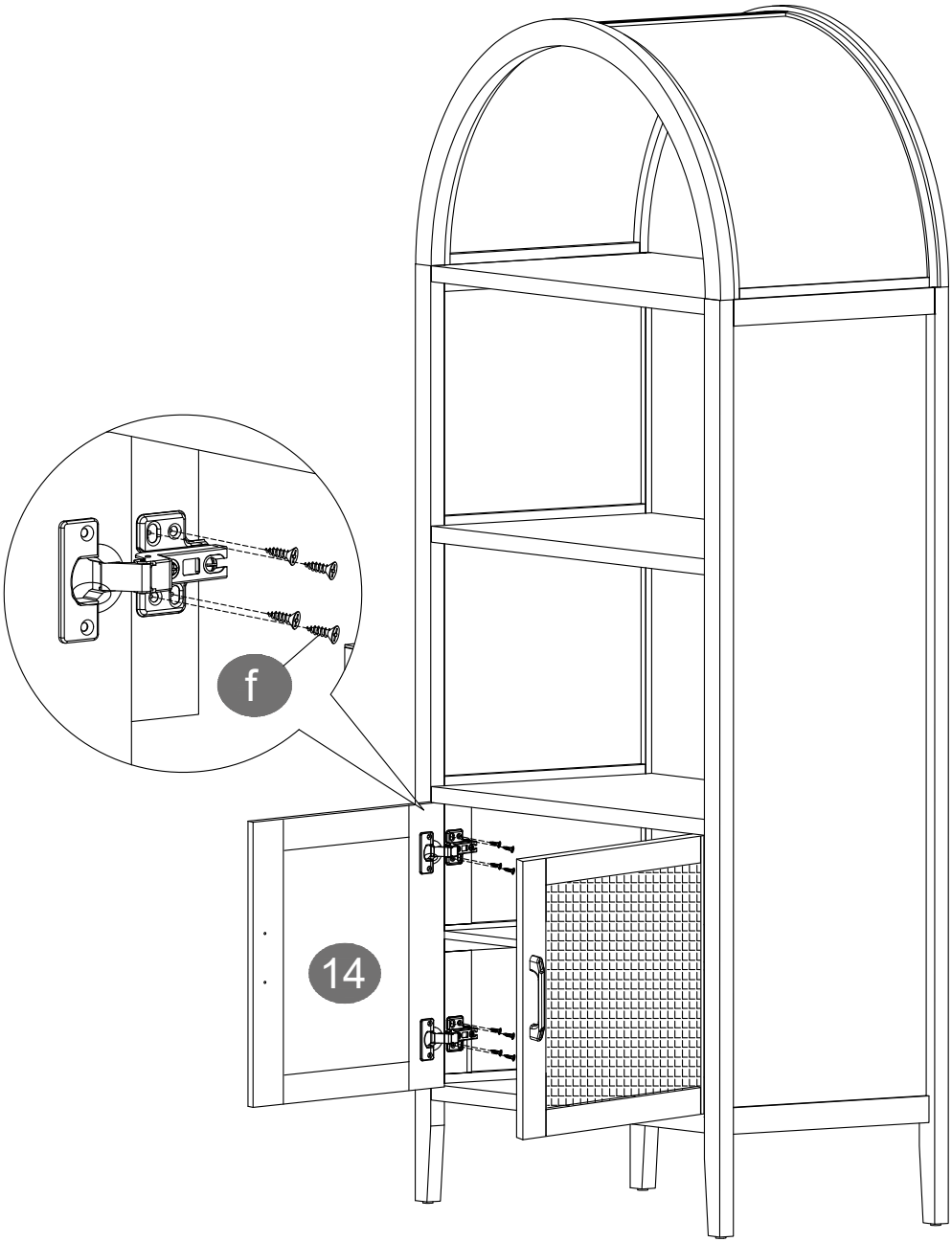
- i**  X 2
- f**  ST3.5*15mm X 8
- g**  X 4


Step 15



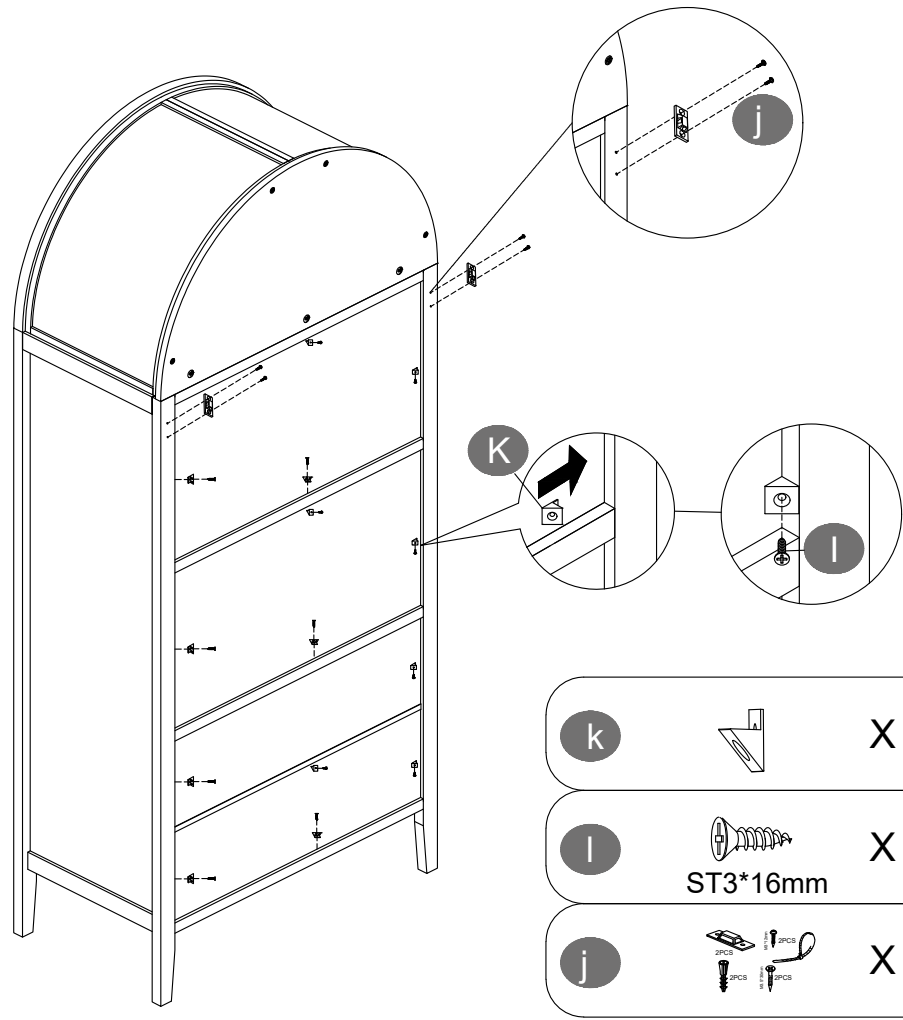
f  **ST3.5*15mm X 8**

Step 16



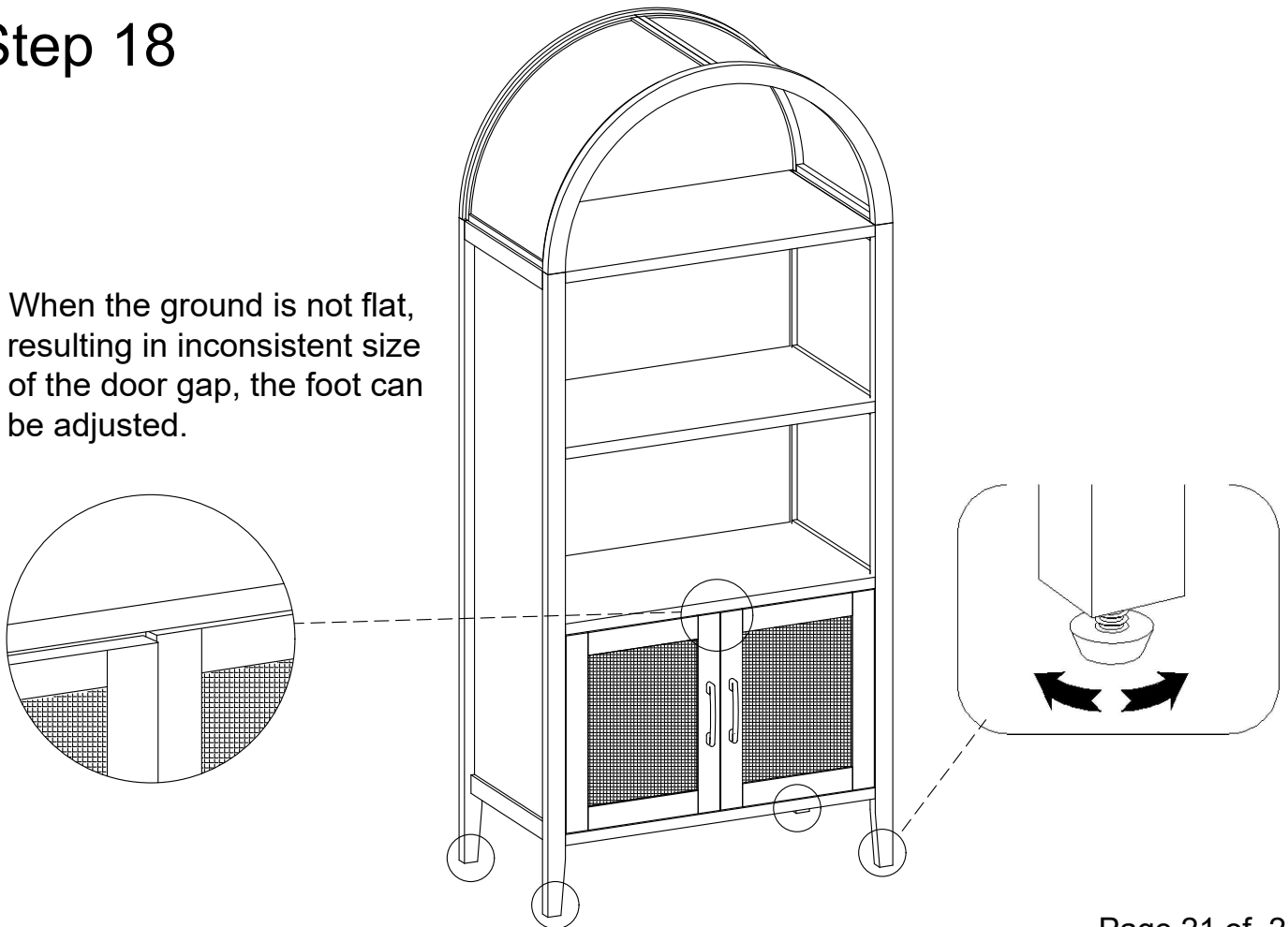
f  X 8
ST3.5*15mm

Step 17



Step 18

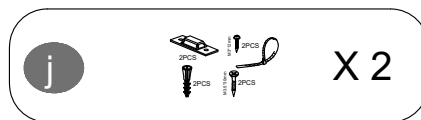
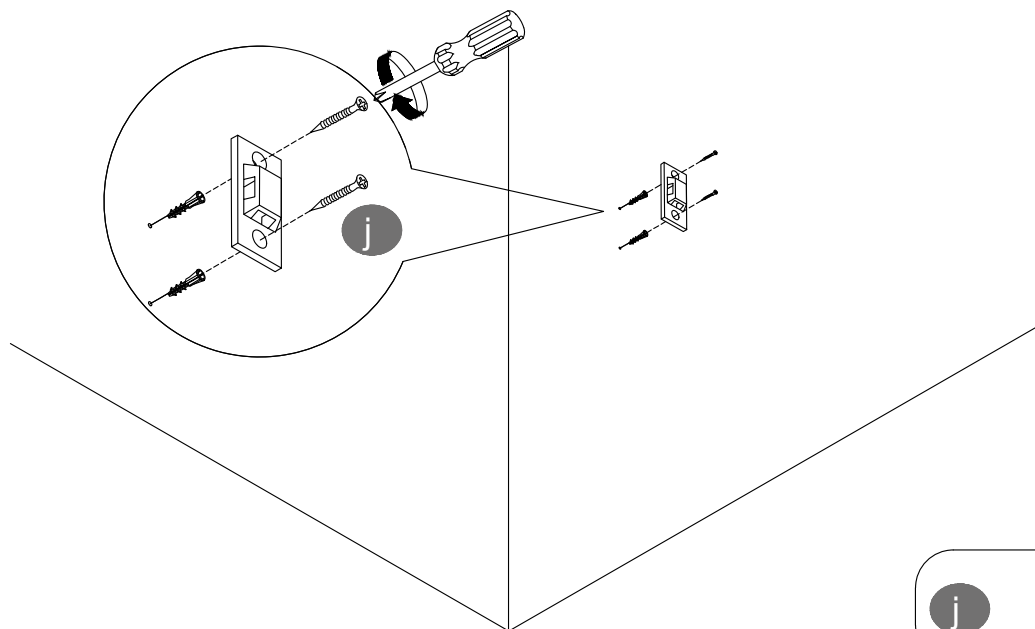
When the ground is not flat, resulting in inconsistent size of the door gap, the foot can be adjusted.



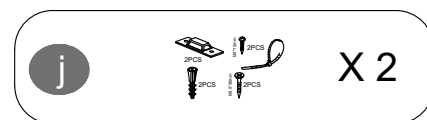
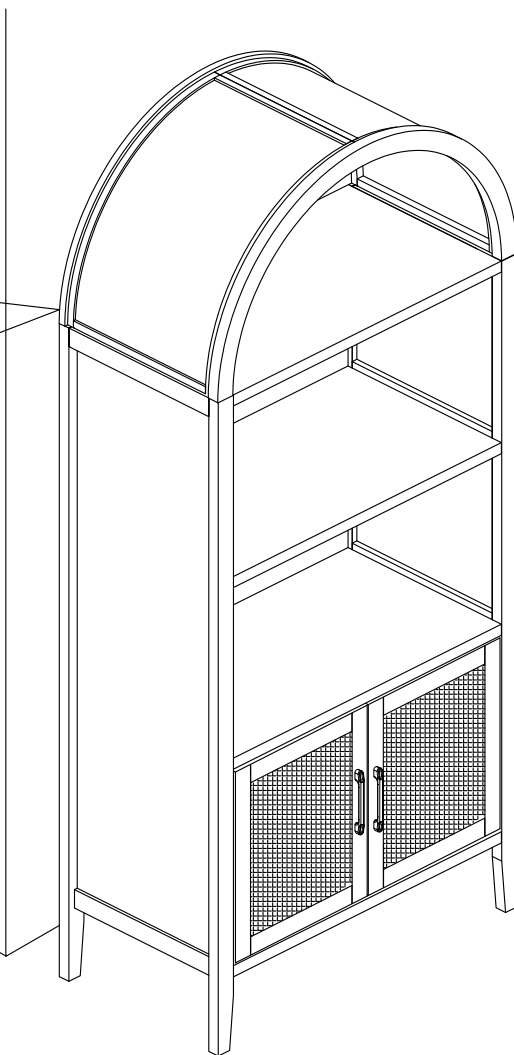
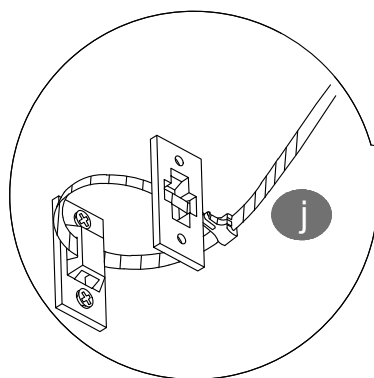
Step 19



Attention: For safety and stability, we suggest you have to secure the anti-tip accessories to the wall to prevent tipping, injury, and property damage.



Step 20



Step 21

