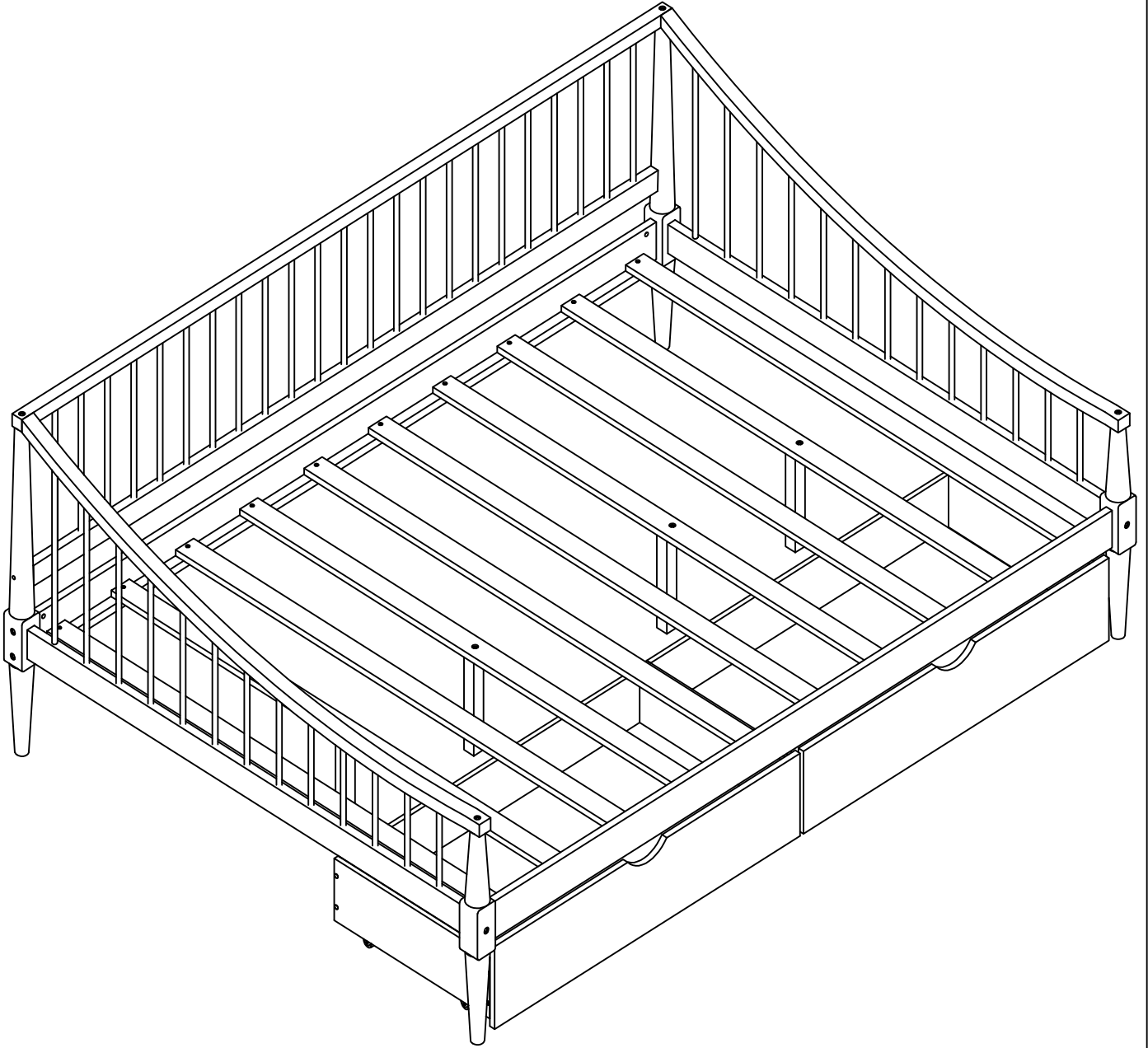
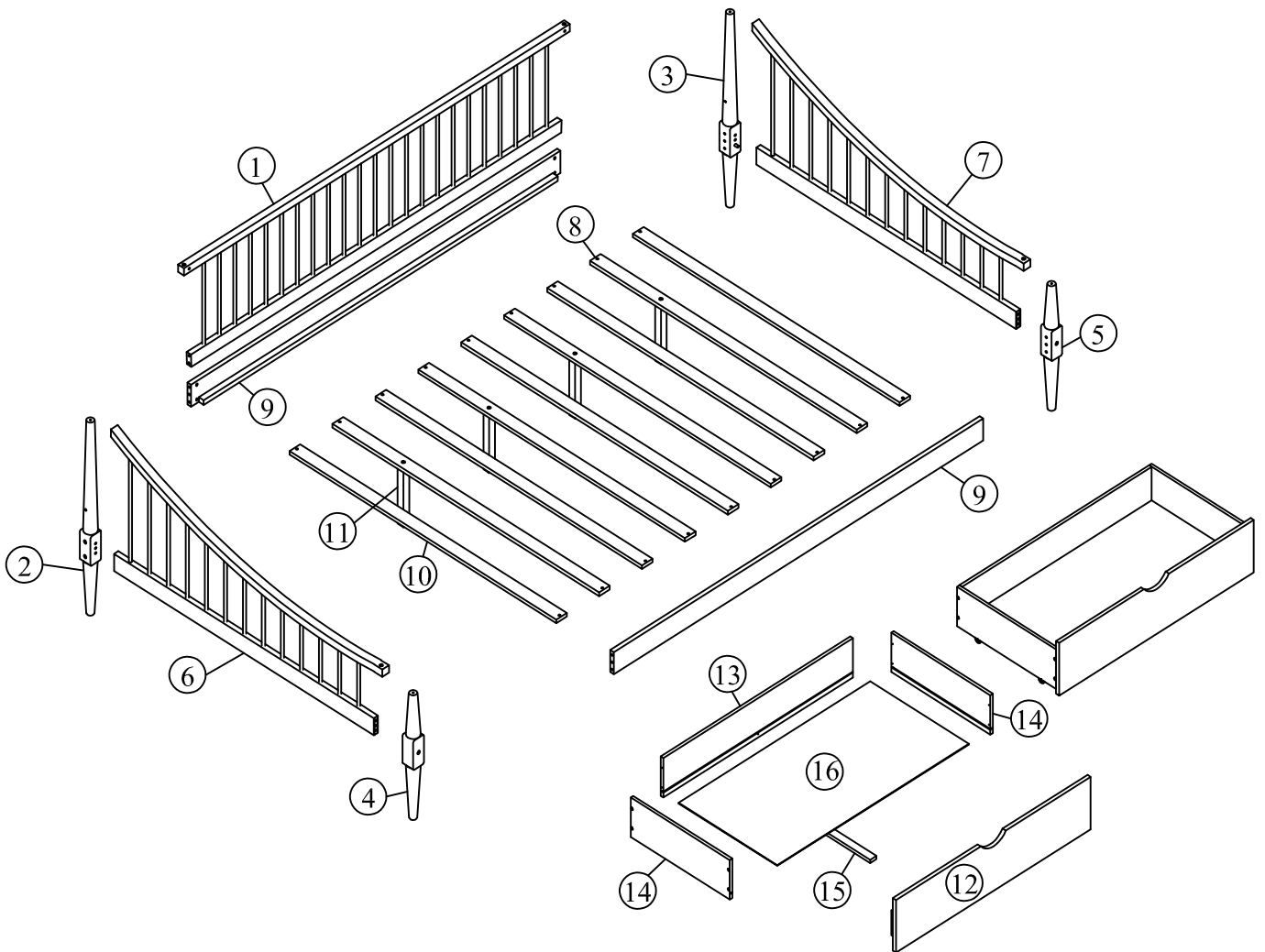


ASSEMBLY INSTRUCTION

SKU CODE: WF 315876 / WF 315877

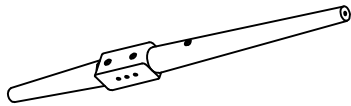


Detail:



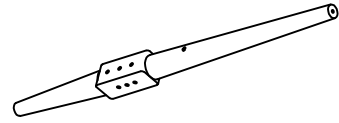
Part List (WF 315876)

2 x1



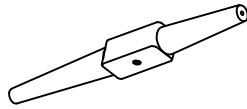
Back Left Leg

3 x1



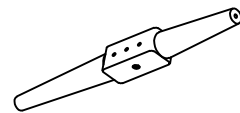
Back Right Leg

4 x1



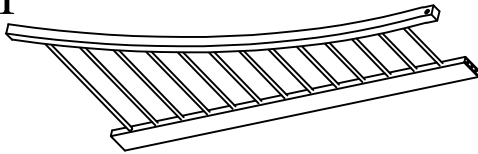
Front Left Leg

5 x1



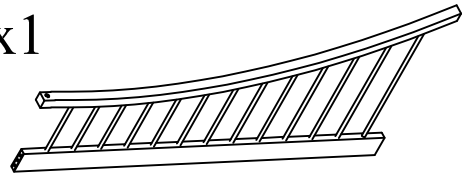
Front Right Leg

6 x1



Left Side Panel

7 x1



Right Side Panel

8 x4



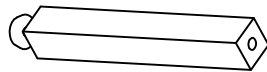
Slats

10 x6



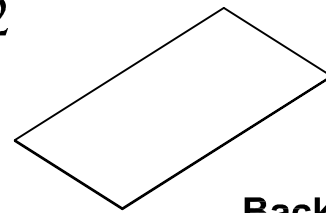
Slats

11 x4



Support Legs

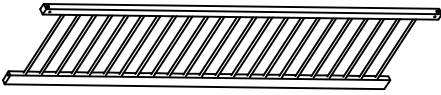
16 x2



Back Drawers

Part List (WF 315877)

① x1



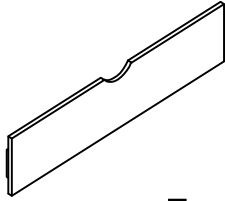
Front Panel

⑨ x2



Side Rails

⑫ x2



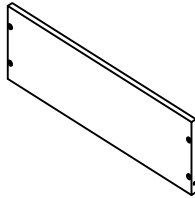
Front Drawers

⑬ x2



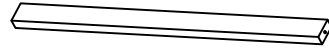
Back Drawers

⑭ x4



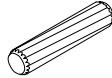

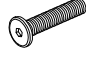


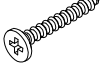

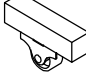


Back Drawers

⑮ x2

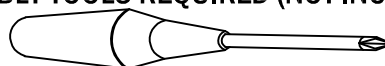


Support Drawers

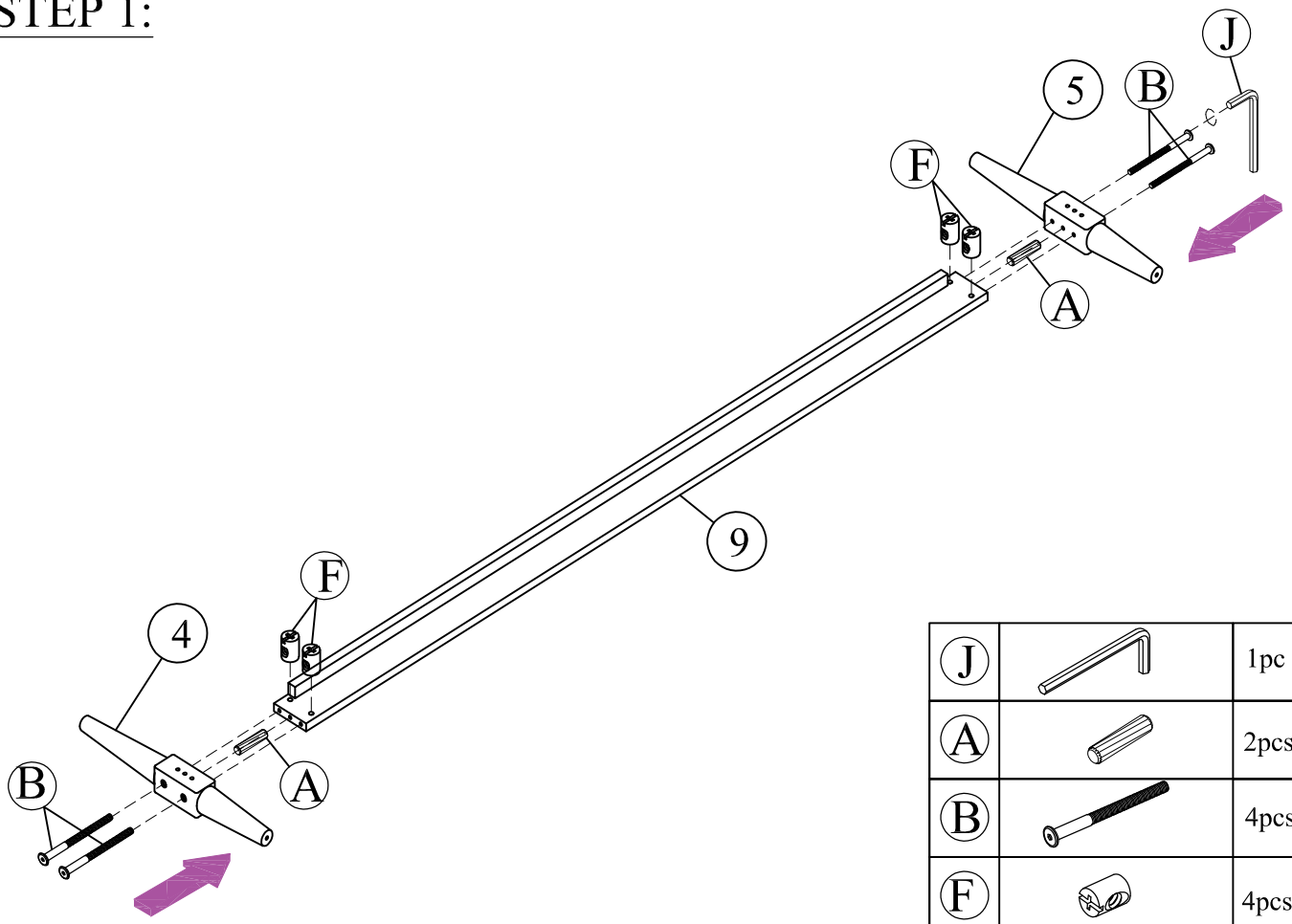
Hardware List (WF 315876)

| No. | OUTLOOK | DESC | QTY |
|-----|---|--------------------------|-------|
| (A) |  | Dowel Ø8*30mm | 12pcs |
| (B) |  | Bolts M6*90mm | 14pcs |
| (C) |  | Bolts M6*40mm | 6pcs |
| (D) |  | Bolts M6*30mm | 4pcs |
| (F) |  | Cross dowel M6*13mm | 14pcs |
| (G) |  | Round head screw #8*25mm | 46pcs |
| (H) |  | Round head screw #8*60mm | 8pcs |
| (I) |  | Wheels | 8pcs |
| (J) |  | Allen key 60*22*4mm | 1pc |
| (K) |  | Cross dowel Ø10*10mm | 8pcs |

ASSEMBLY TOOLS REQUIRED (NOT INCLUDED)

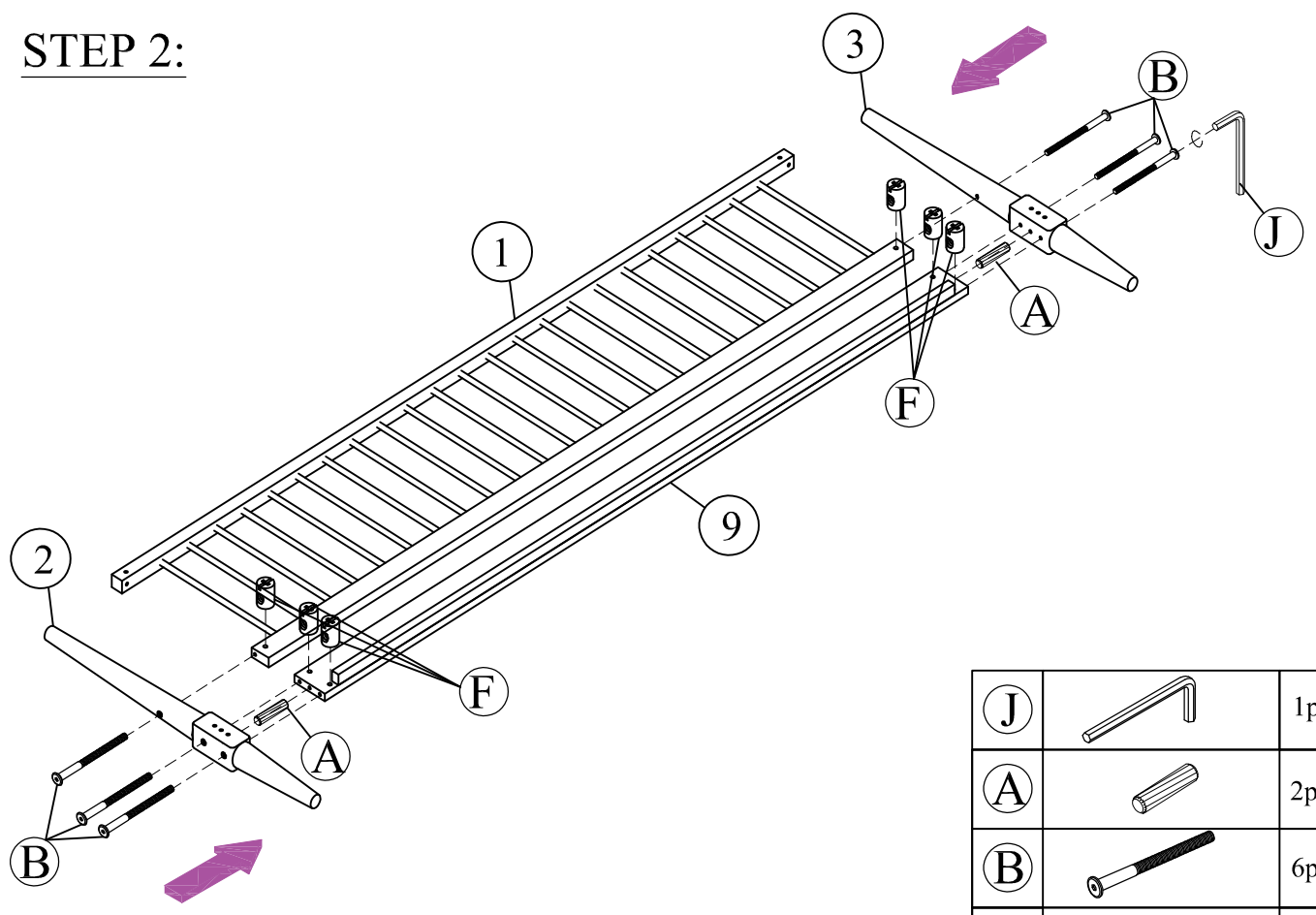


STEP 1:



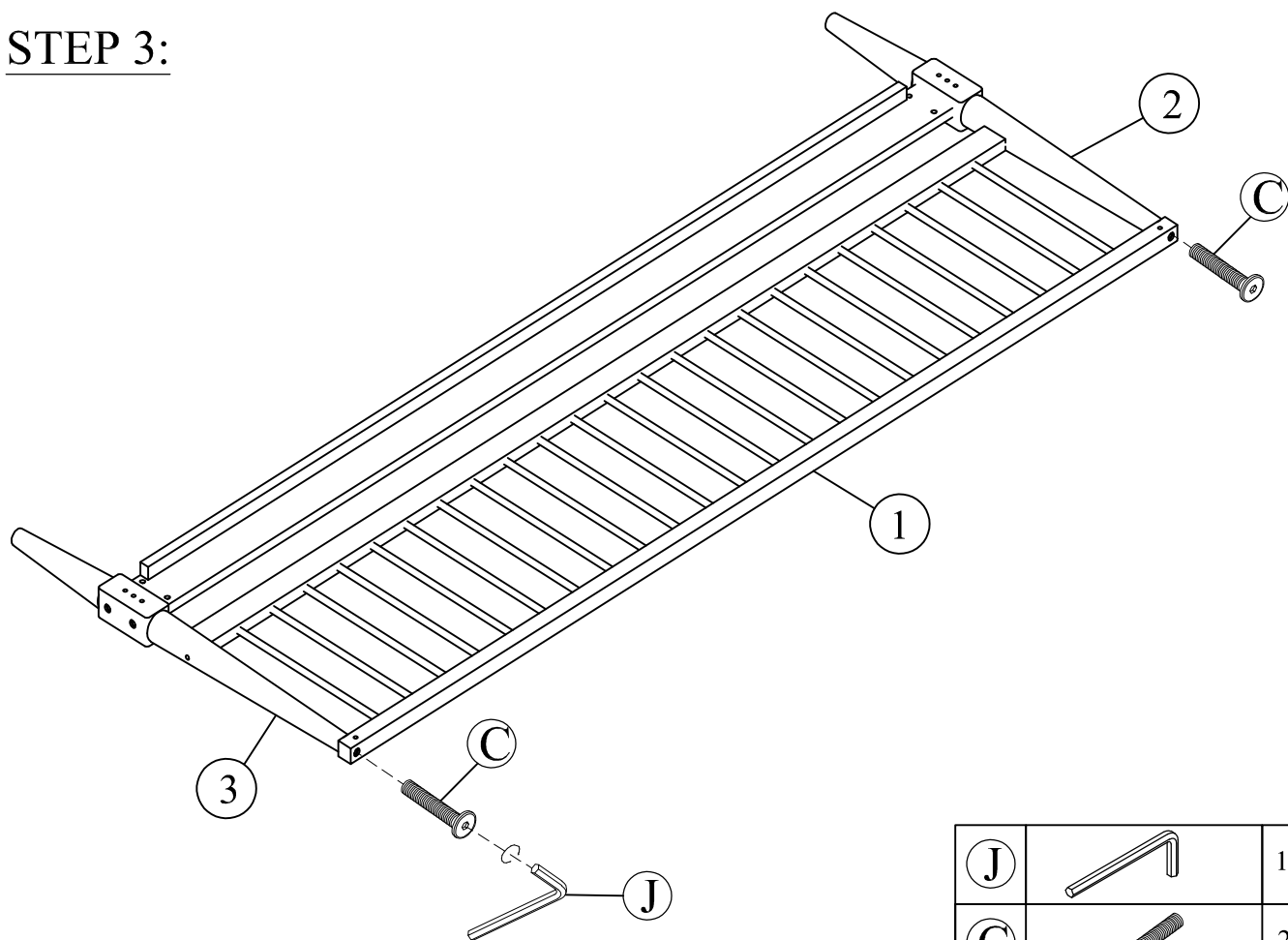
| | | |
|-----|--|------|
| (J) | | 1pc |
| (A) | | 2pcs |
| (B) | | 4pcs |
| (F) | | 4pcs |

STEP 2:



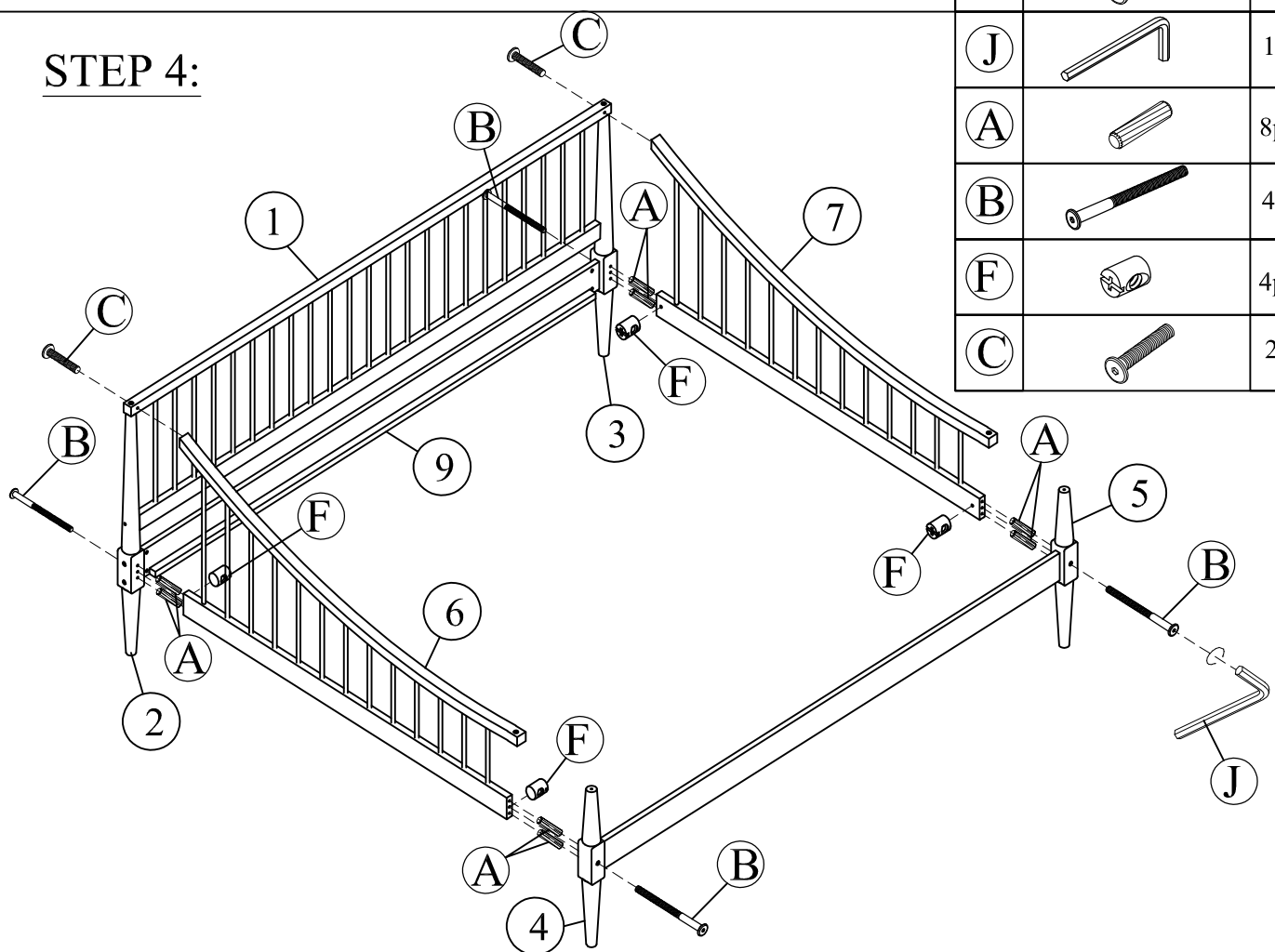
| | | |
|-----|--|------|
| (J) | | 1pc |
| (A) | | 2pcs |
| (B) | | 6pcs |
| (F) | | 6pcs |

STEP 3:

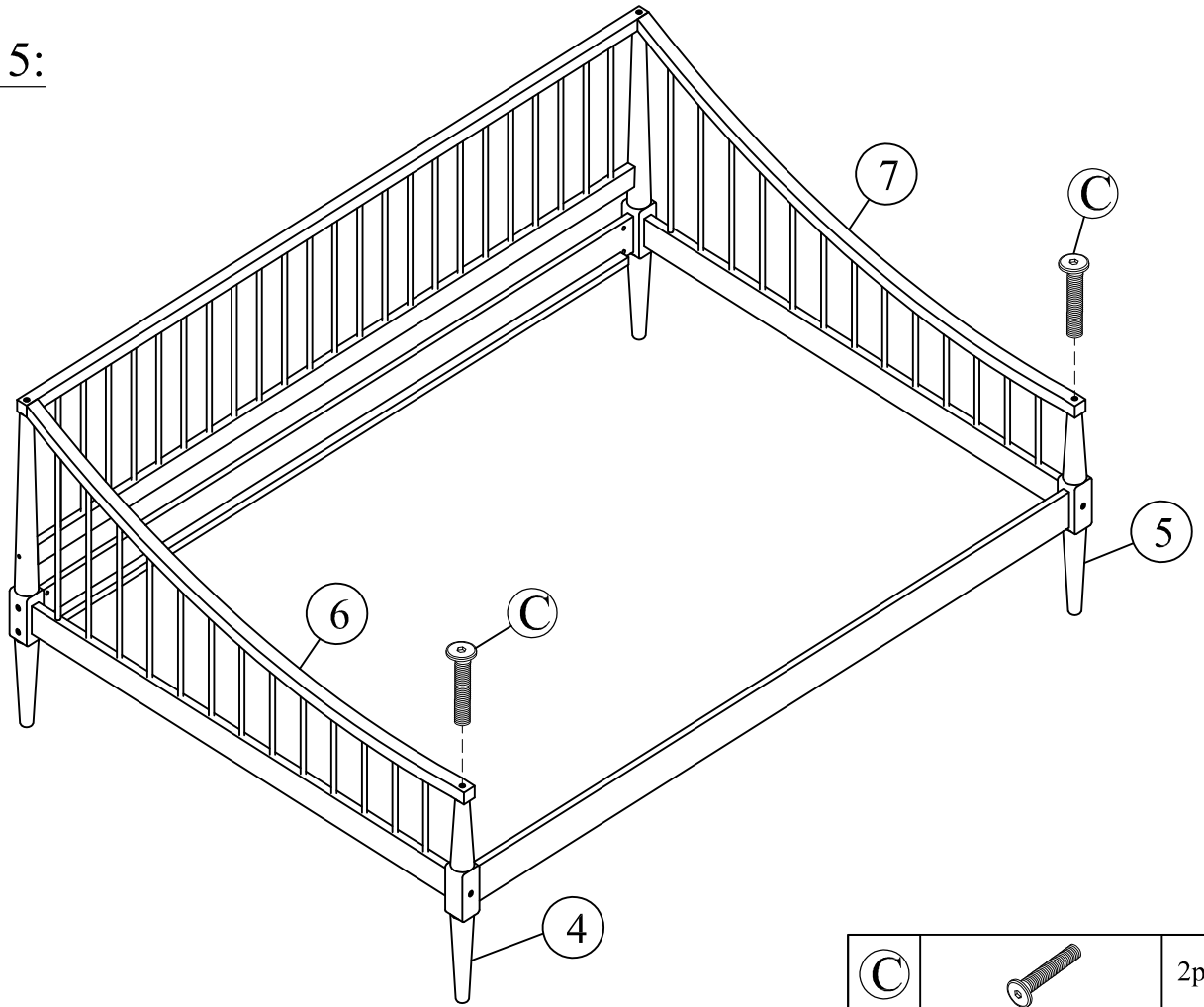






| | | |
|-----|--|------|
| (J) | | 1pc |
| (C) | | 2pcs |
| (J) | | 1pc |
| (A) | | 8pcs |
| (B) | | 4pcs |
| (F) | | 4pcs |
| (C) | | 2pcs |

STEP 4:

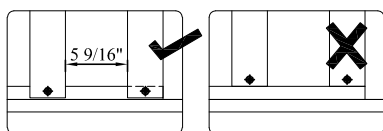
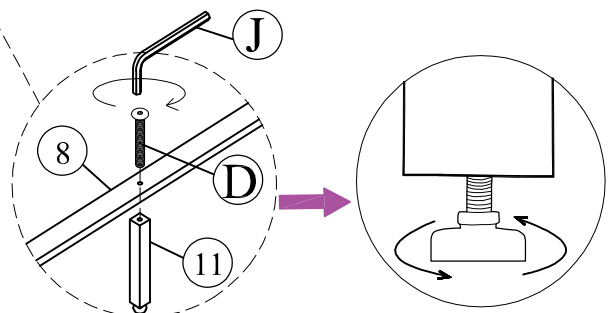
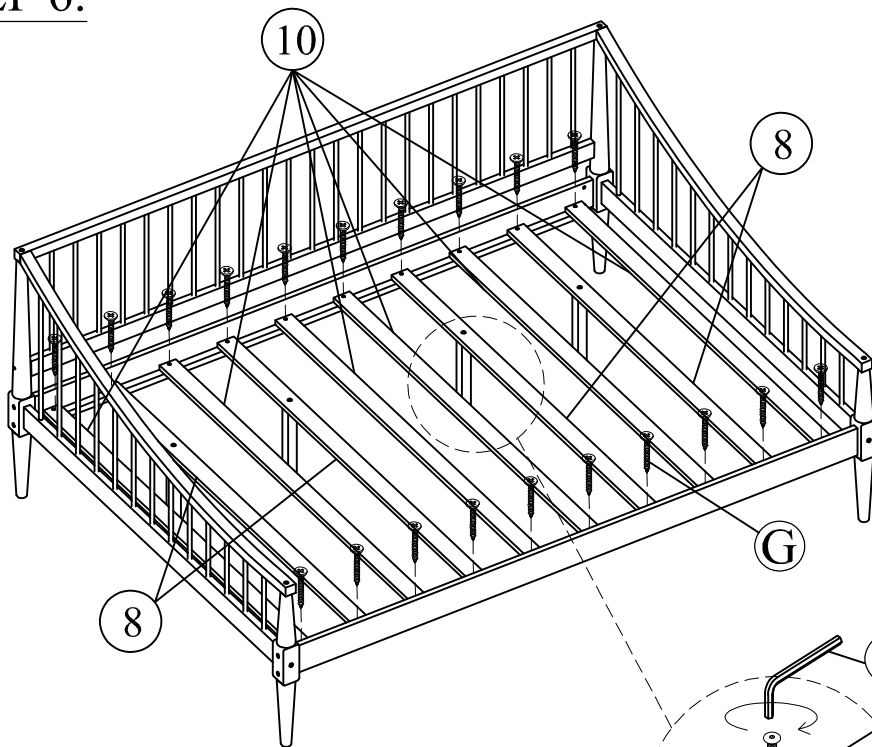


STEP 5:





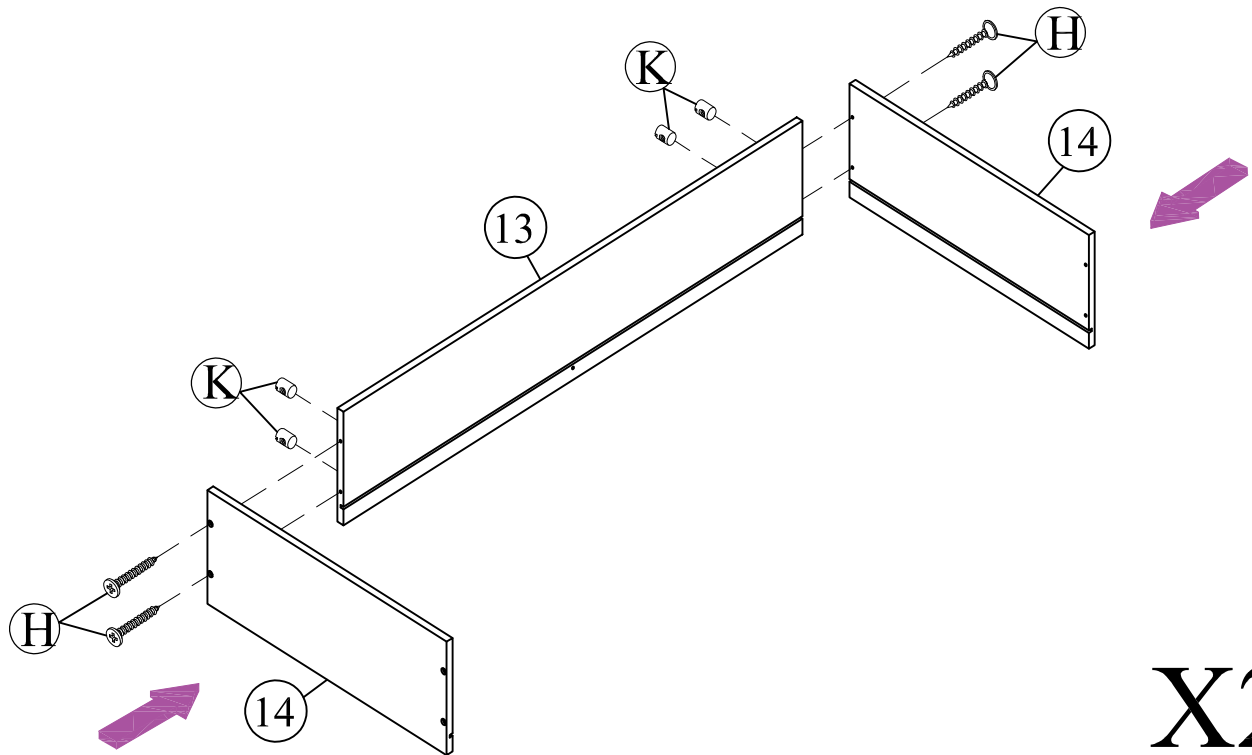
| | | |
|---|---|-------|
| C |  | 2pcs |
| D |  | 4pcs |
| G |  | 20pcs |
| J |  | 1pc |

STEP 6:



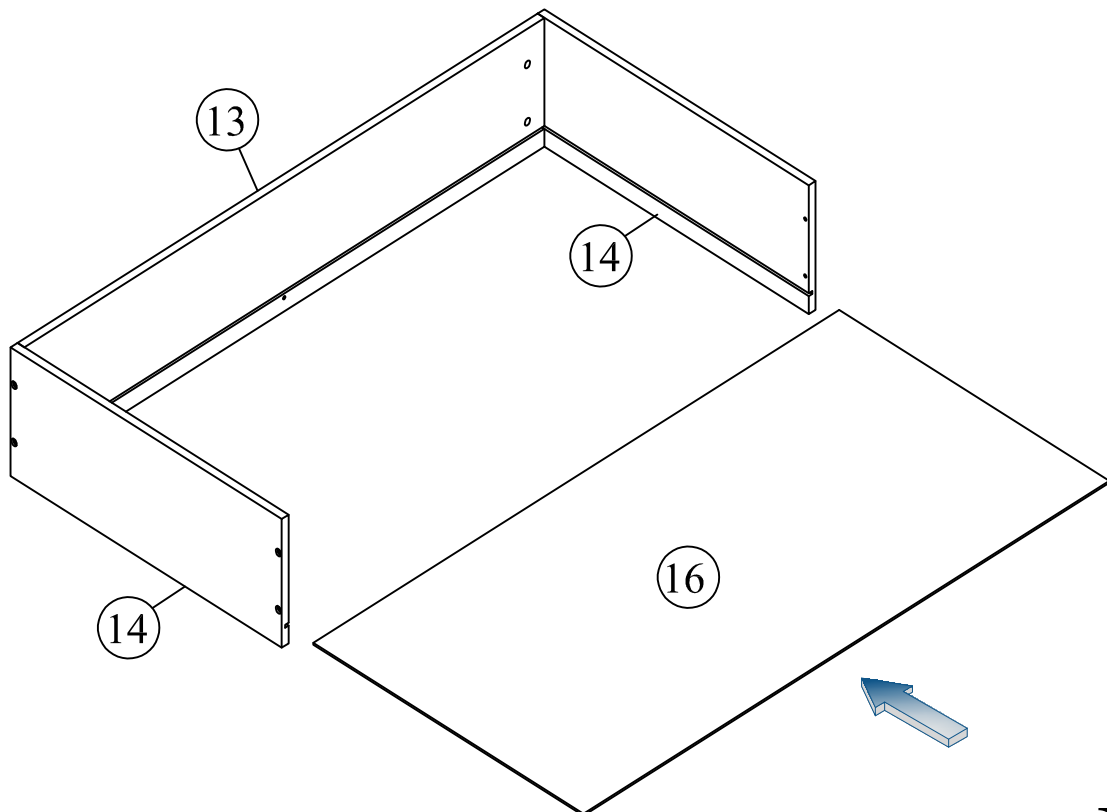
STEP 7:

| | | |
|-----|---|------|
| (H) |  | 8pcs |
| (K) |  | 8pcs |




X2

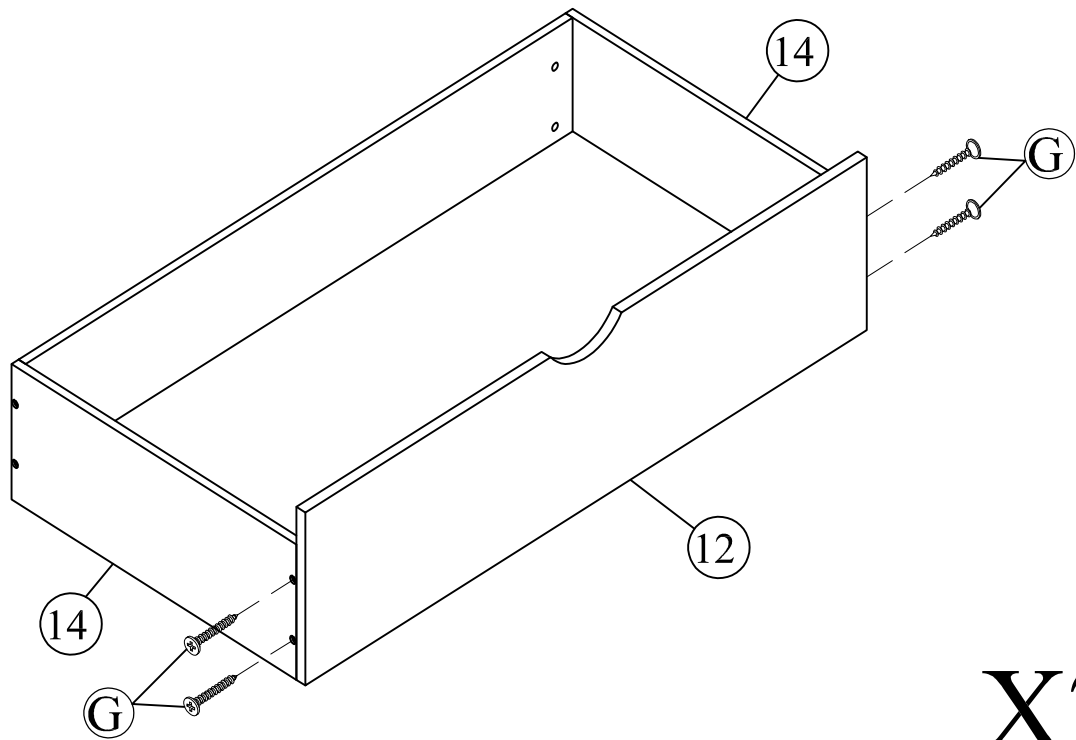
STEP 8:



X2

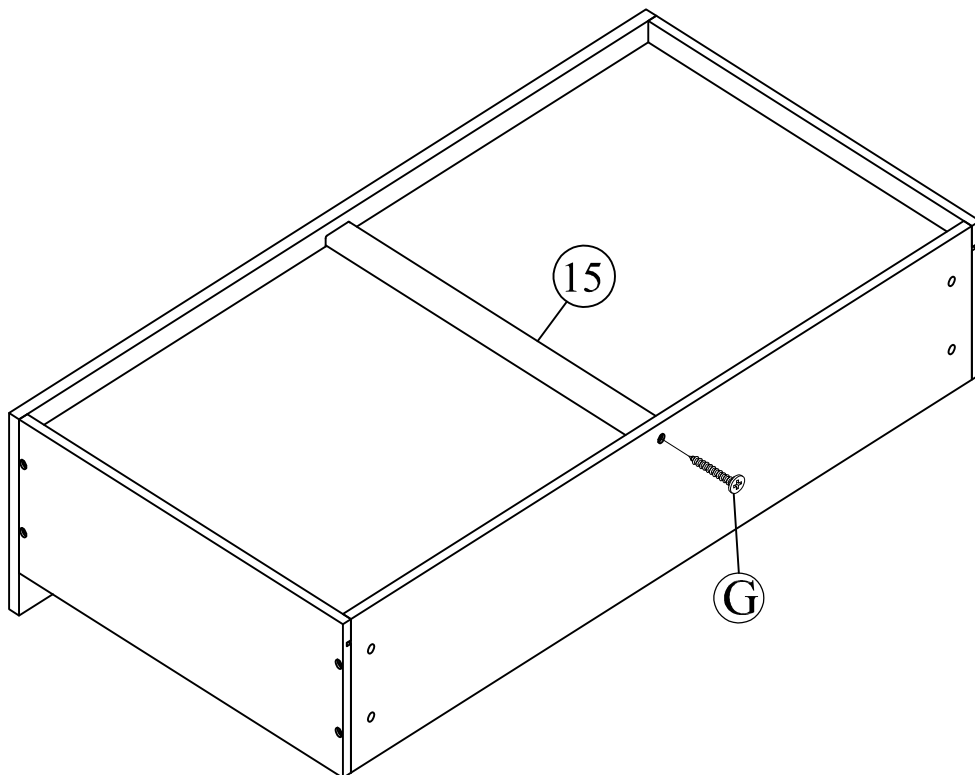
STEP 9:

| | | |
|---|---|------|
| G |  | 8pcs |
|---|---|------|




X2


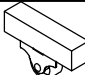
STEP 10:

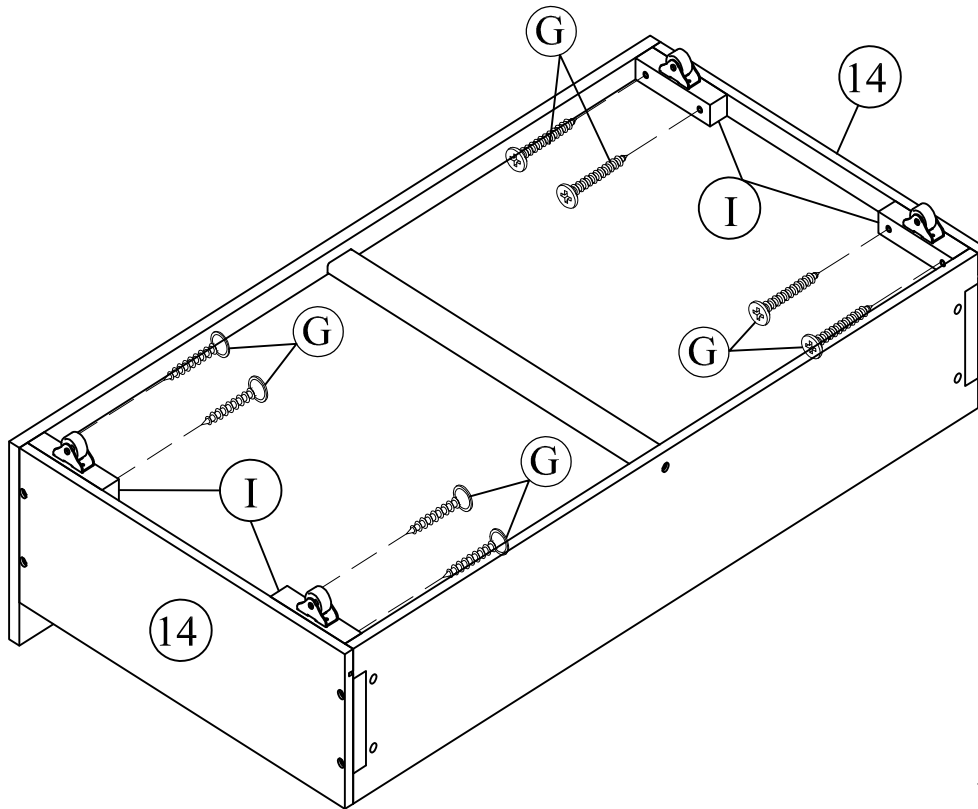


X2

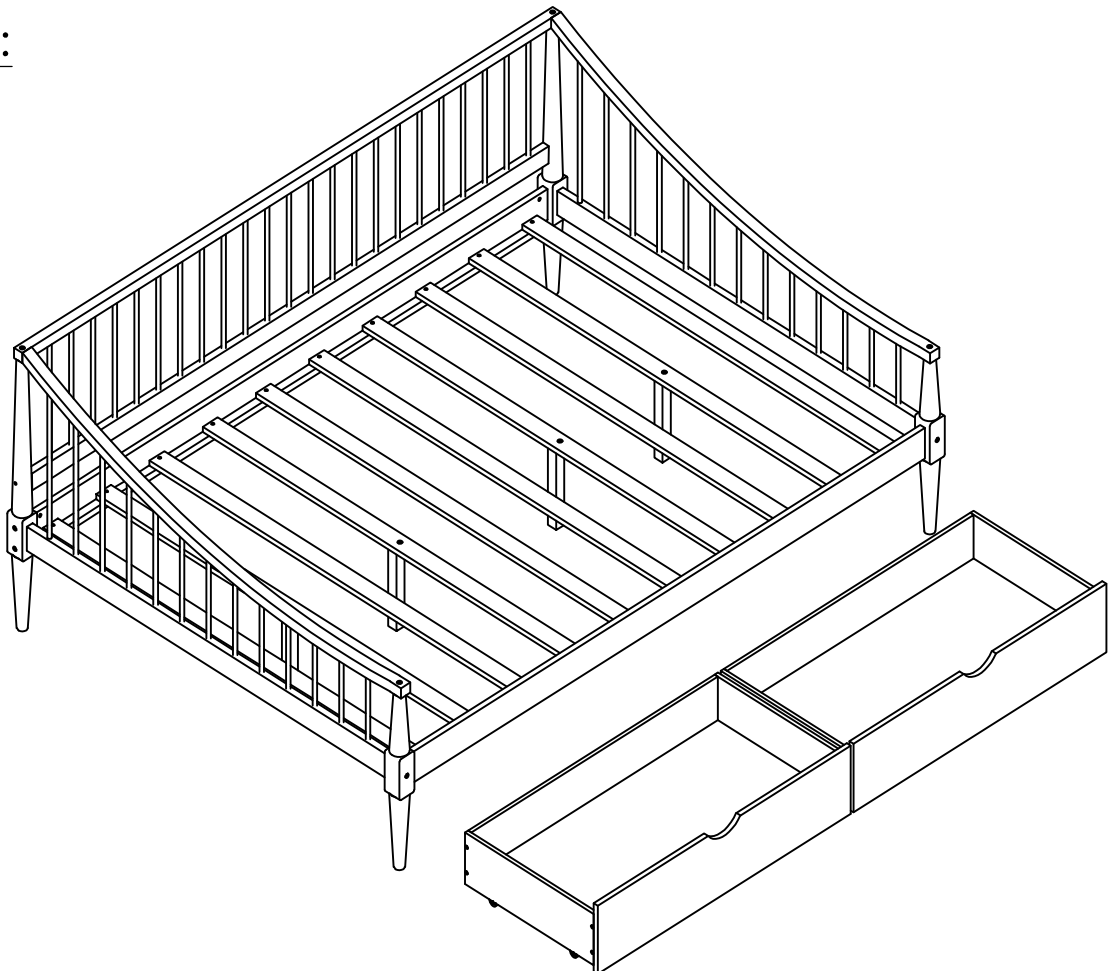
| | | |
|---|---|------|
| G |  | 2pcs |
|---|---|------|

STEP 11:

| | | |
|-----|---|-------|
| (G) |  | 16pcs |
| (I) |  | 8pcs |



STEP 12:



FINAL:

