



15 : 00

estimated
assembly time



1 or more

people required

Ok, let's
get started!



- Put on mood music!
- To prevent damage to product, use the clean side of package carton or rug as working surface.
- In the event of missing or damaged parts, delivery problems etc., please reach out to our team. We will be happy to fix the problem!

care guide

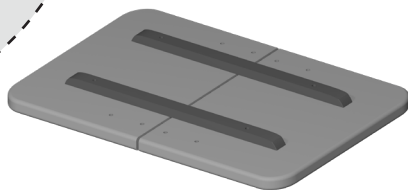
- Clean regularly with a soft and dry cloth.
- To protect finish, avoid use of abrasive cleaners.
- Wipe up spills immediately. Please!



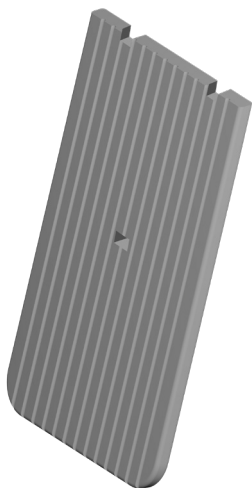
ⓘ **While assembling the product, tighten the bolts up to 50%. Once all parts are in place, only then fully tighten the bolts.**



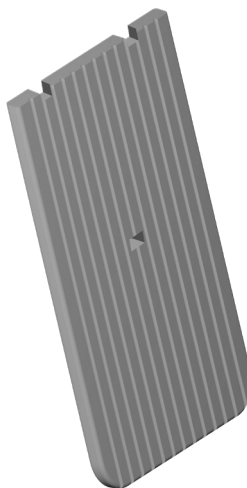
product parts



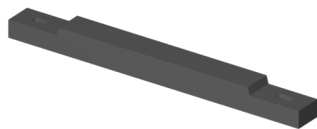
(A)
Tabletop
x1



(B)
Left Leg
x1



(C)
Right Leg
x1



(D)
Leg Support
x1



(E)
Wooden Tick
x2



(F)
Metal Plate
x4

what's included



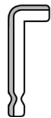
(G)-Bolt
(20 x 4mm)
x8



(H)-Allen Key
(2.5mm)
x1



(I)-Bolt
(12 x 6mm)
x8



(J)-Allen Key
(4mm)
x1

assembly instructions

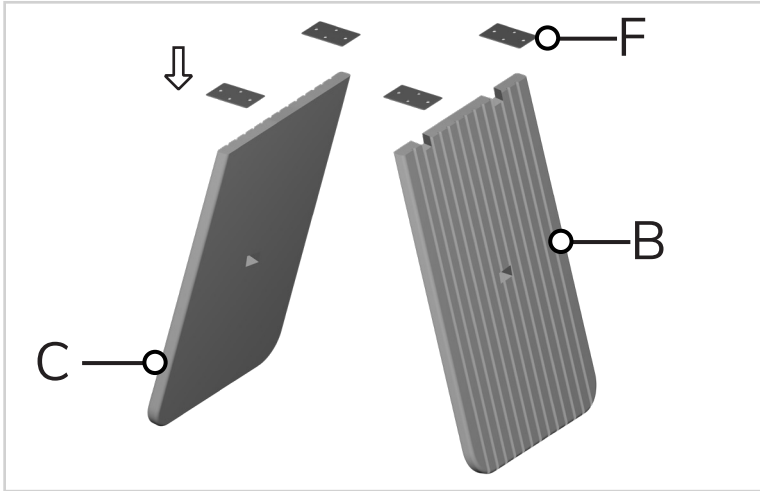
Friendly Tip: Take a deep breath going in. This may be a tricky part, but nothing too overwhelming. Just follow these steps to the T and the outcome will be worth it!



- ⓘ While assembling the product, tighten the bolts up to 50%. Once all parts are in place, only then fully tighten the bolts.

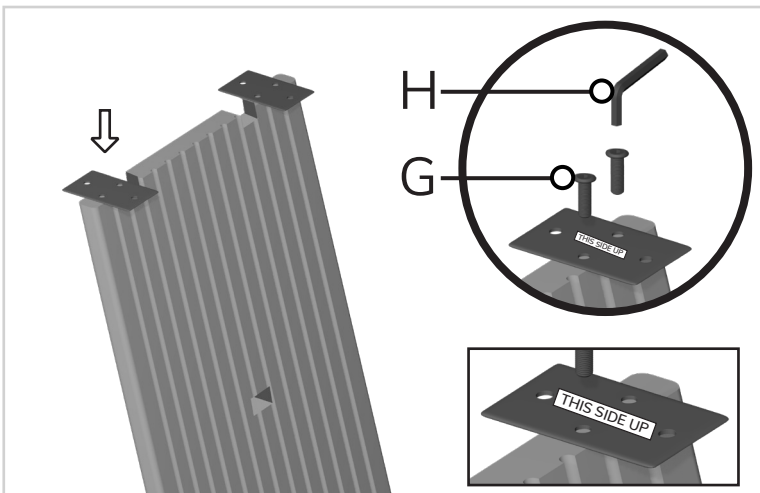
step 1:

Start by taking the legs (B) & (C) and align the middle holes on the metal plates (F) to the slots given at the top of the legs. Ensure the “this side up” stickers are facing up. Use the image below as a reference.



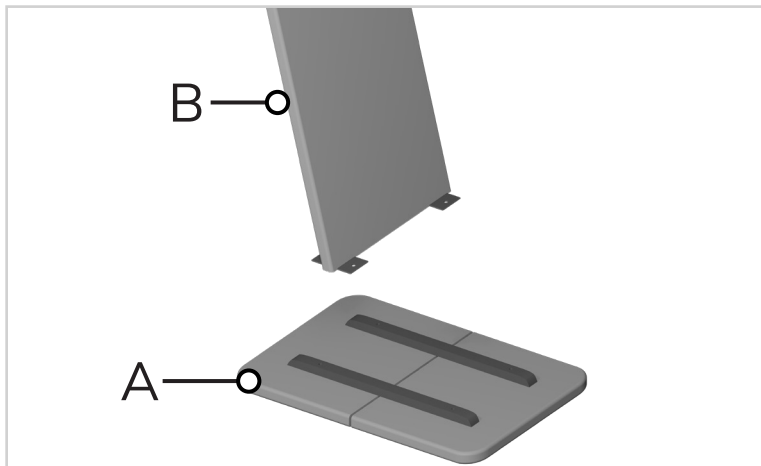
step 2:

Fix the metal plates (F) in place by using bolts (G). Tighten using allen key (H).



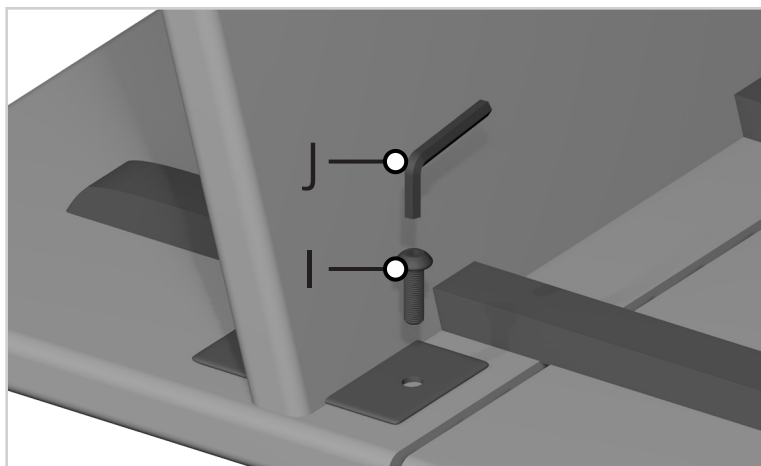
step 3:

Now, place the table top (A) upside down on a flat surface. Take the left leg (B) and align the holes on the metal plates with the slots on the table top (A).



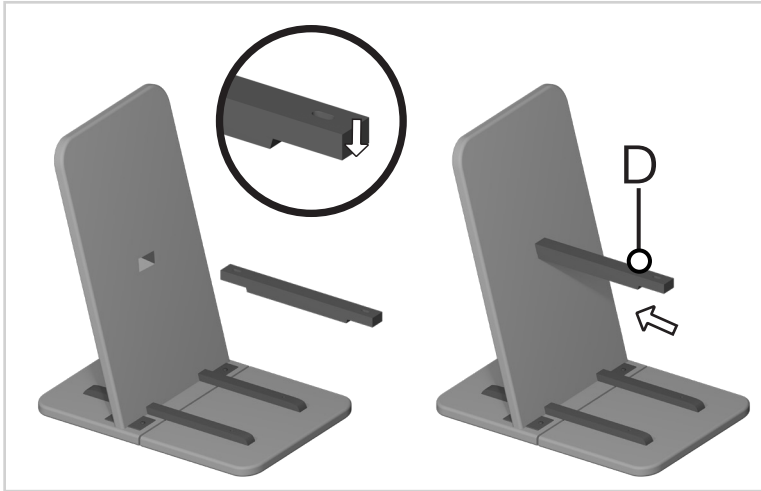
step 4:

Fix it in place by inserting bolts (I) in the slots. Tighten using allen key (J).



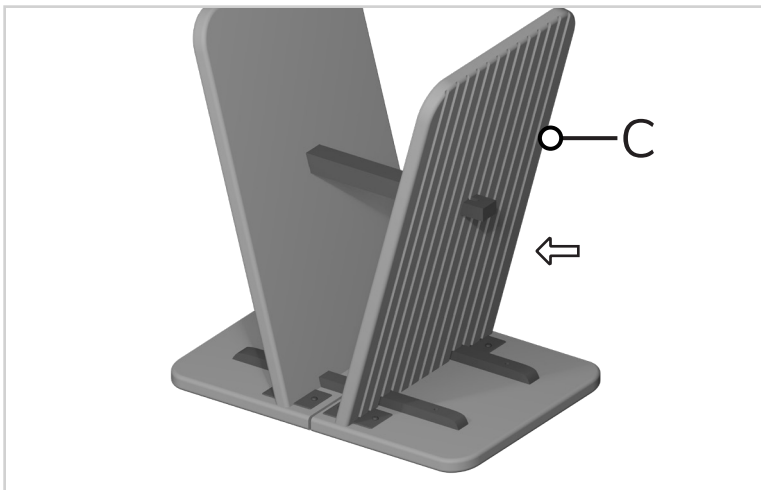
step 5:

Next, insert the leg support (D) in the slot between the leg (B) as shown in the image below. Ensure that the cut-out side is facing towards the table top (A).



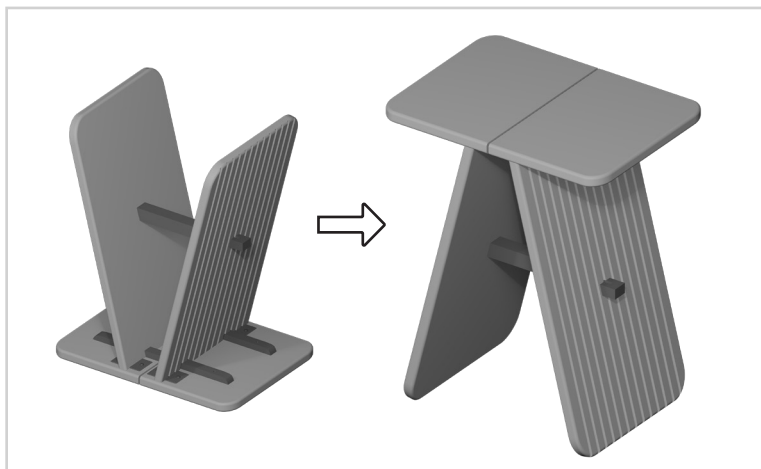
step 6:

Then, take the right leg (C) and insert the leg support (D) through its opening in the middle. Fix the leg in place by repeating steps 3 & 4.



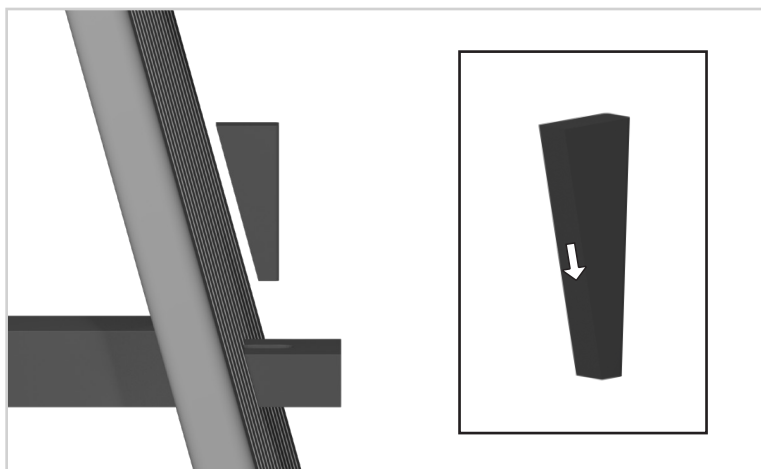
step 7:

When done, turn the table upright.



step 8:

To fix the leg support (D) in place, insert the wooden tick (E) in the given slots on the outer side. Note: Use the sticker on the wooden tick for directions. The sticker side faces the leg.





Voila! Your table is now assembled and secure!

you've
got
a home
with us

