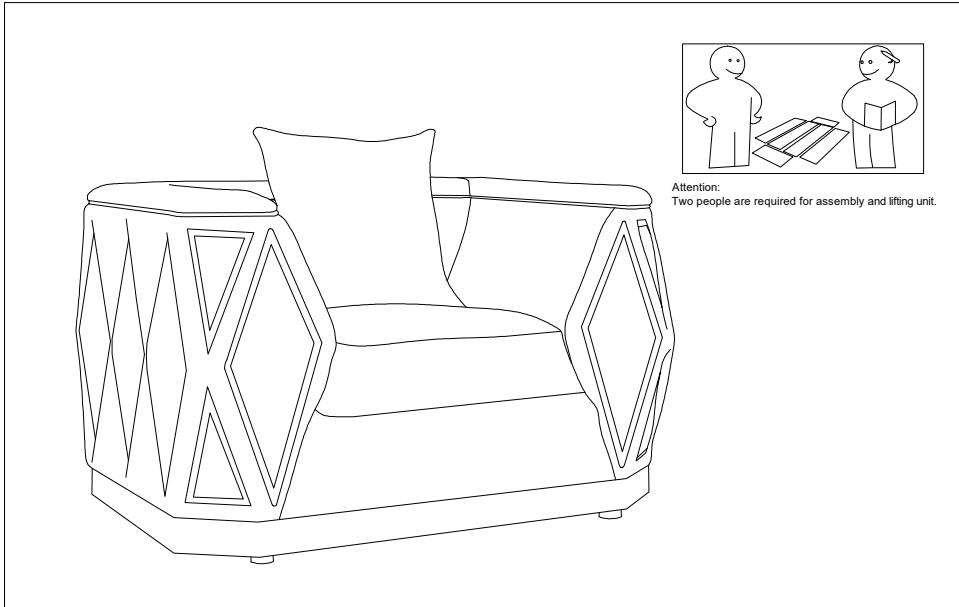


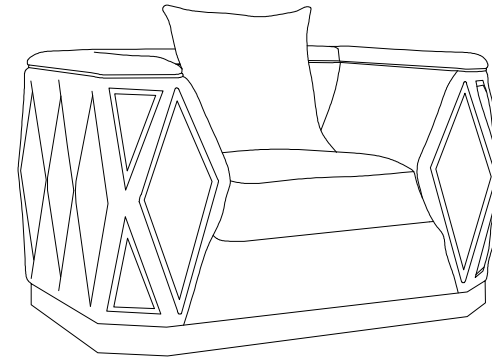
# CHAIR ASSEMBLY INSTRUCTION

## ASSEMBLY INSTRUCTION



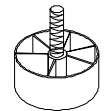
## ASSEMBLY PART

1.



CHAIR (1PCS)

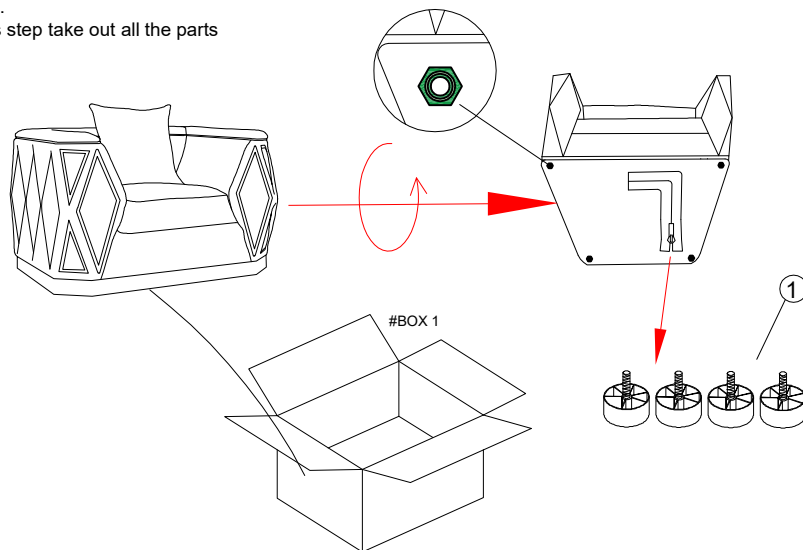
2.



LEGS (4PCS)

## ASSEMBLY INSTRUCTION

STEP1.  
For this step take out all the parts



## ASSEMBLY INSTRUCTION

STEP2.  
Attach Legs (4pcs) to the chair

