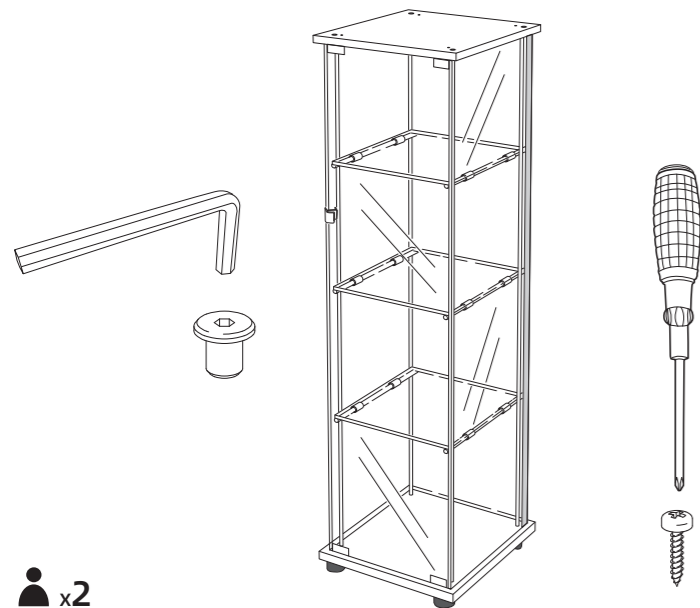
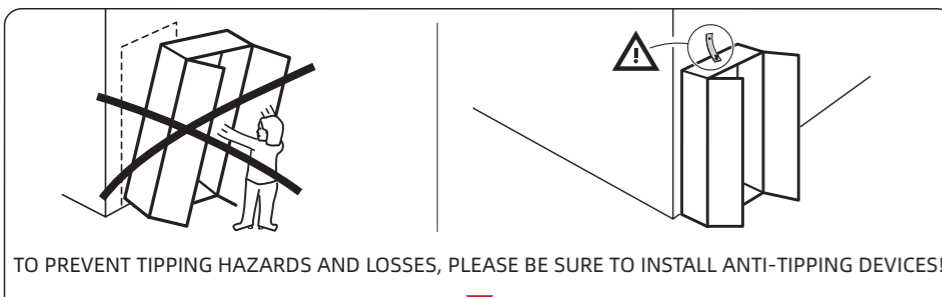


# TRANSPARENT CABINET

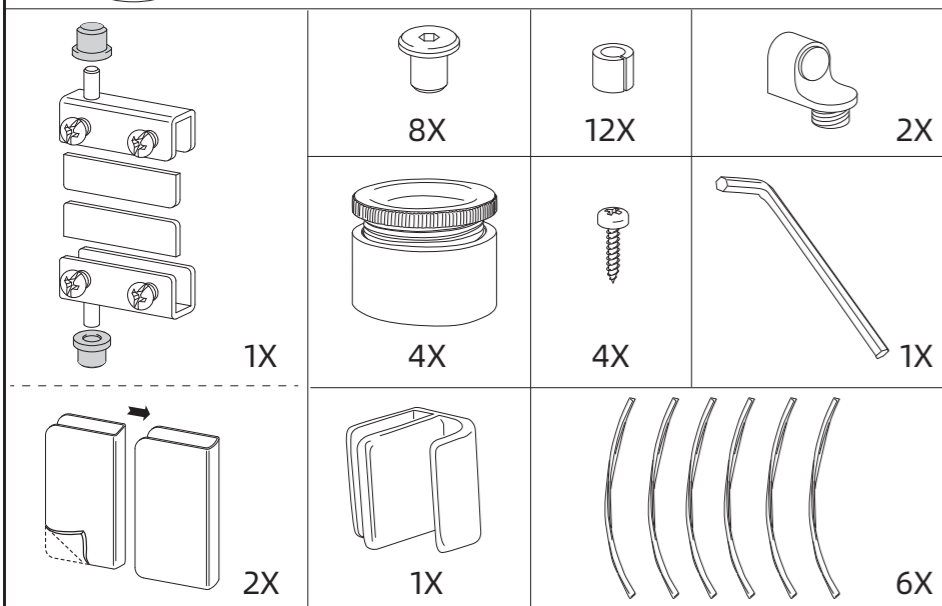
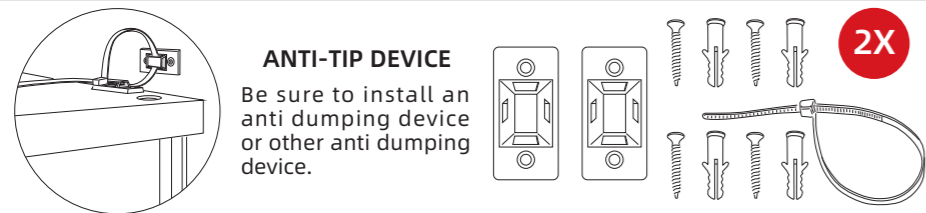
TEMPERED GLASS  
WINE CABINET / DISPLAY CABINET



x2



## ACCESSORY PACKAGE



## Important information

Read carefully.

Keep this information for future reference.



## WARNING

**FURNITURE TIPPING-OVER COULD RESULT IN INJURY OR DEATH TO THE INSTALLER.**

**ALWAYS SECURE THIS PRODUCT PERMANENTLY TO THE WALL.**

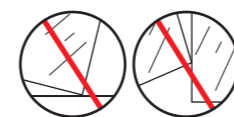
There is only one kind of wall fixing device included in the product, which is only applicable to wood wall or solid wall. Wood wall only needs to be fixed with screws, it does not need expansion bolt; Load bearing wall and solid wall need impact drilling, expansion bolts and screws. The wall fixing device (anti-tip device) included in the product is not suitable for walls that have weak nail holding force, such as gypsum board. If it needs to be fixed on a wall which is similar to gypsum board, please make sure that the screw is fixed at the keel position, and ensure that the screw force point is firm. Please use suitable fixtures for your home wall because different wall materials require different types of fixtures.

- Tempered glass has a 0.3% risk of self-explosion. In case of such an accident, please contact us and we will replace the damaged glass. During installation, please wear gloves, long-sleeved shirts, pants and socks to avoid possible injury;
- To avoid accident, please do not let minors nor children approach during installation. At the same time, please make sure that the installers are two adults.
- During installation, please use cardboards or carpets as buffer layers to isolate the possibility of collision between the glass corner and hard objects such as the ground. Especially when installing tempered glass, please do not let the corner knock to the ground, so as to avoid self explosion of tempered glass caused by stress change;
- After the cabinet is installed, be sure to install the anti-tip device to prevent serious or fatal injury. In order to prevent tipping over, the cabinet must be permanently connected to the wall. (wall fixing device, including but not limited to the anti-tip device we provided, you can install similar devices to avoid danger and increase safety)
- In daily use, only legal adults can use the glass cabinet. Minors should stay away from the cabinet. Please instruct or take care of children to stay away from the cabinet to avoid the risk of collision of cabinet door or falling of objects caused by children's behaviors such as opening, closing and shaking cabinet. Once again, it is strongly recommended that you install an anti-tip device, keep minors away (2m radius of the product), and install a door lock to avoid accidental injury caused by children open and close cabinet.
- The top/bottom plate of tempered glass cabinet is made of melamine paper covered particle-board, edge band is made of PVC material. They do not have fire protection function.
- When the product is discarded, please consult the relevant local departments or companies for classification
- The product is a partially transparent tempered glass cabinet, it is not fully transparent. After installation, the gap will be different due to the different fastening or error.
- No part of the product can be swallowed, played or used for other purposes.
- After installation of the product, the bearing capacity of each shelf is about  $\leq 3.5$  kg, and the bearing capacity of four anchor combinations is  $\leq 200$  kg. Note that the load bearing data is limited to the product and its contents.
- Product dimensions may have an error with 10mm due to the usage of different measuring tools or methods.



## INSTRUCTIONS FOR USING TEMPERED GLASS

HANDLE WITH CARE! EDGE DAMAGE OR SURFACE SCRATCHES CAN CAUSE SUDDEN GLASS BREAKAGE IN EXCEPTIONAL CASES. HOWEVER, IT WILL NEVER BECOME SHARP SHARDS, ONLY BREAKING INTO SMALL PIECES. PLEASE AVOID SIDE IMPACTS - THIS IS THE WEAK POINT OF THE GLASS.

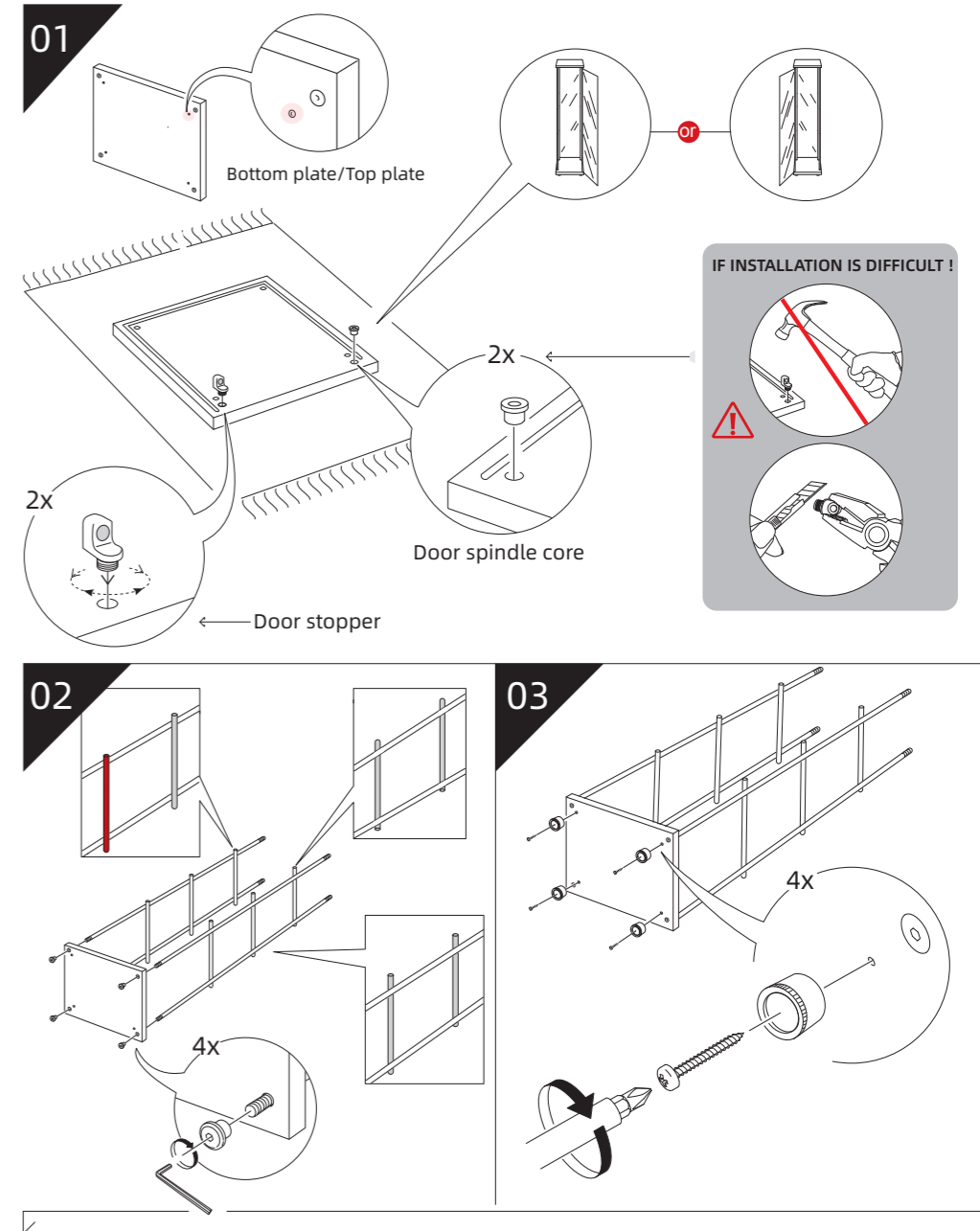


## PRODUCT COMPONENT LIST

NO	ASSEMBLY	SIZE	NUMBER	TEXTURE OF MATERIAL
1	Back glass	1576*387mm	1	Tempered glass
2	Side glass	1576*345mm	2	
3	Door glass	1556*382mm	1	
4	Shelf glass	382*293mm	3	
5	Top/bottom plate	425*365mm	2	MFC/PVC edge banding
6	Shelf bracket	1602*316mm	2	Iron, dyed epoxy coating / polyester powder coating
7	Rubber strip	1560*16*14mm	2	Polyvinyl chloride
8	Accessory Package	Various specifications		Various materials

! Product dimensions may have an error with 10mm due to the usage of different measuring tools or methods; If you find that the number of parts in the kit is not consistent with the manual, the excess number can be used as a backup.

## Installation Instructions



**04**

1 1576x387mm  
Back plate

3 1556x382mm  
door plank

2 2 1576x345mm  
Side plate

**1** ~1576\*387mm

When installing the top/bottom plate, please install the door stopper and door shaft core into the hole position in advance.

**05**

2x Rubber strip

Rubber strip

1 Back glass

2 Side glass

2 Side plate

**06**

2x Side glass

1 Back glass

2 Side glass

2 Side plate

**2** ~1576\*345mm

**07**

**08**

4x

**09**

or

Door spindle core  
Install ahead of time

2x

**3** ~1556\*382mm

**10**

12x

2x

Xmm

Xmm

**2** ~1576\*345mm

**11**

2x

Door stopper  
Install ahead of time

**12**

12x

**13**

12x

Door handle

**14**

12x

**15**

6x

**16**

12x