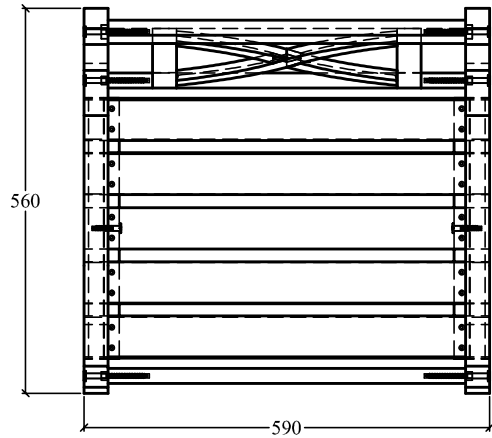
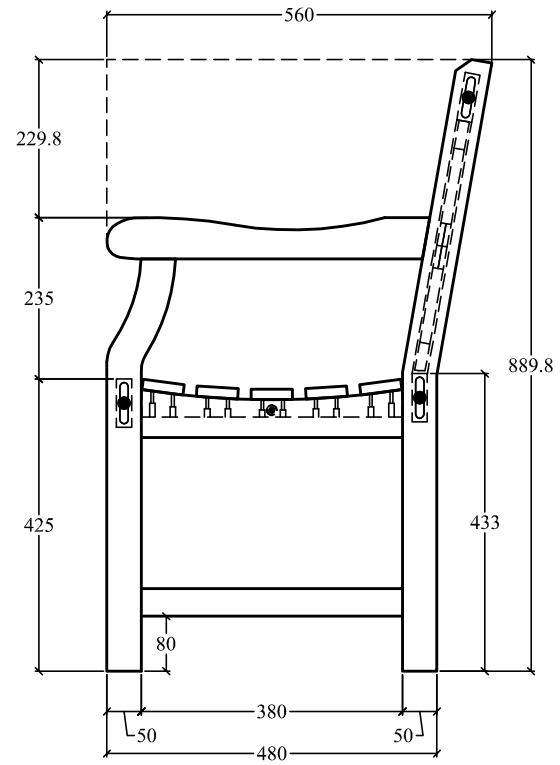
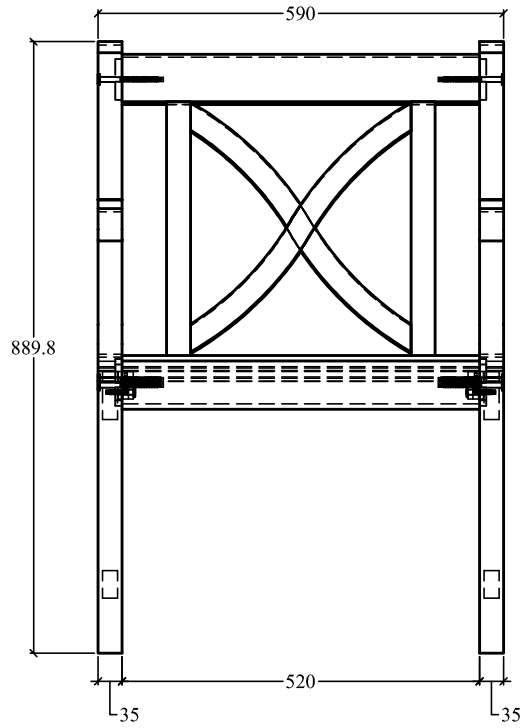


Tên chi tiết	SL/ SP	Quy cách tinh (mm)			KL tinh (m3)
		Đày	Rộng	Dài	
Chân sau	2	35	50	890	0.00312
Chân trước	2	35	50	625	0.00219
Tay vịn	2	35	60	493	0.00207
Tựa đầu	1	22	70	550	0.00085
Tựa dưới	1	22	70	550	0.00085
Nan tựa đứng	2	22	35	410	0.00063
Nan tựa chéo	2	15	35	490	0.00051
Kiềng chân dưới	2	22	40	420	0.00074
Kiềng chân trên	2	22	70	420	0.00129
Trước mê ngồi	1	22	70	550	0.00085
Nan ngồi	5	15	55	590	0.00243
Liên kết nan ngồi	2	22	40	378	0.00067
Tổng :	24				0.01619

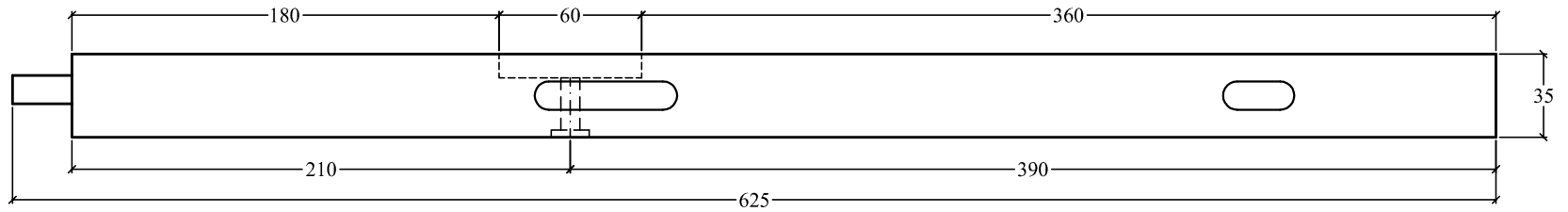
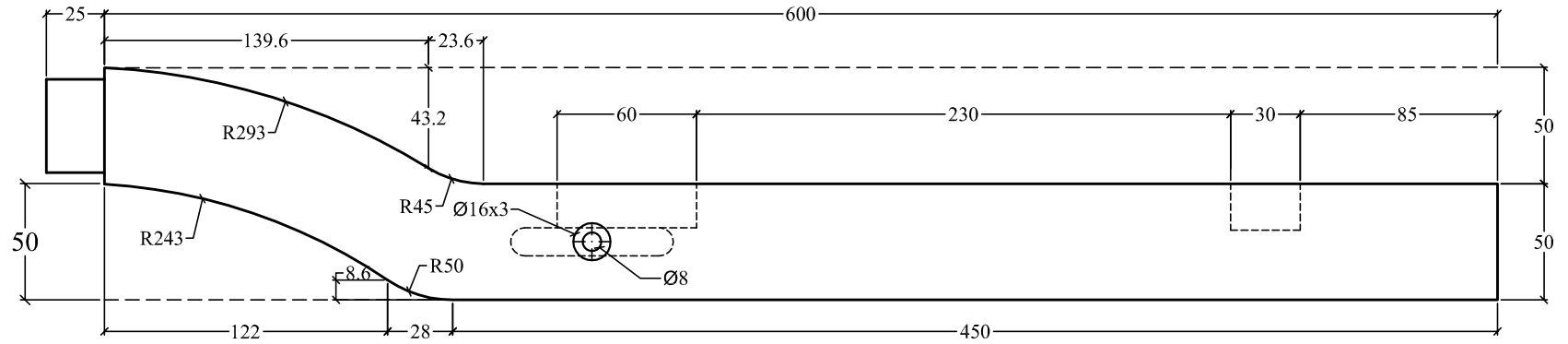
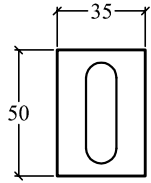
60

0.01641

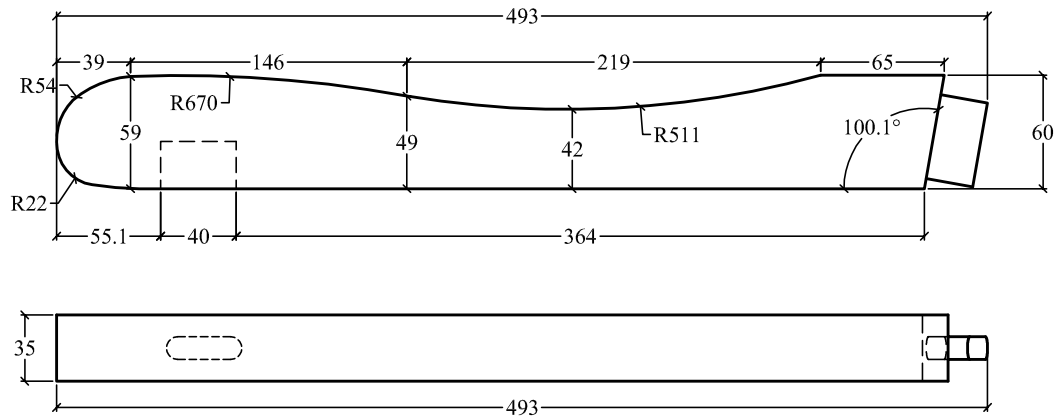
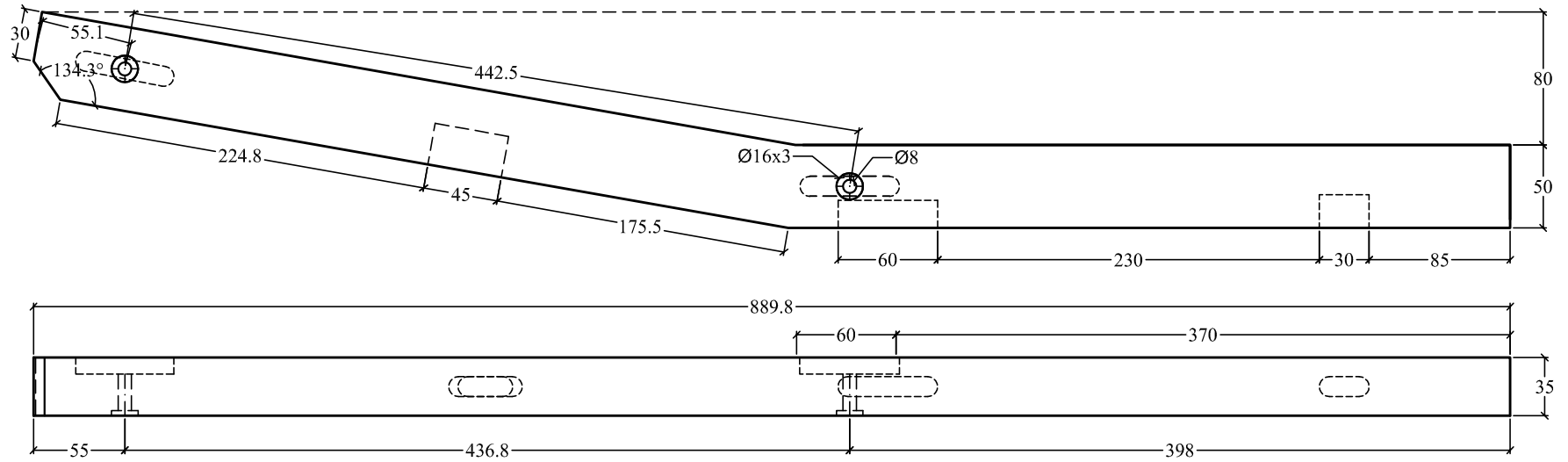
Product Name: Softcross armchair			
Detail:			
Dimension:			
Drawing Code:	Drawn by: lhung	Checked by:	Material:
Update:	Designed by:	Scale: 1 / 7	Sheet Number:



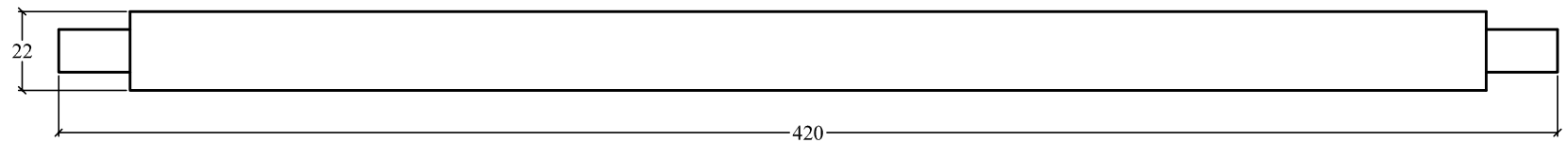
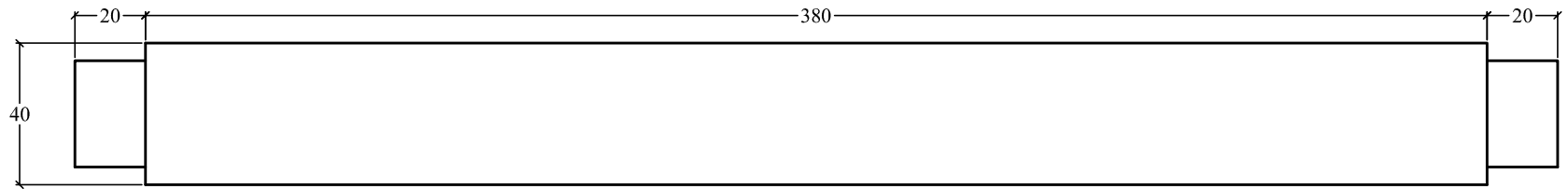
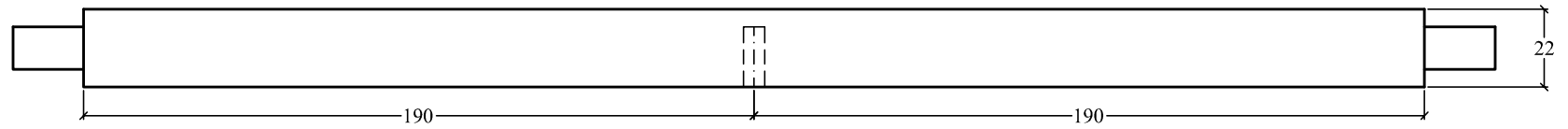
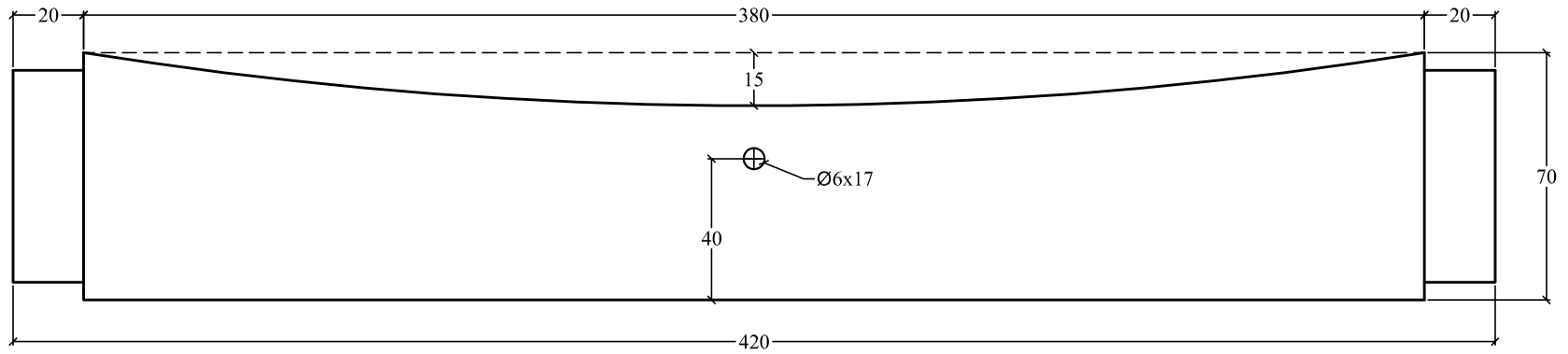
Product Name: 4ft bench			
Detail:			
Dimension:			
Drawing Code:	Drawn by: lhhung	Checked by:	Material:
Update:	Designed by:	Scale: 1 / 11	Sheet Number:



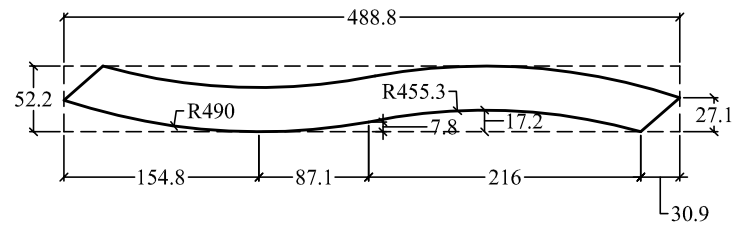
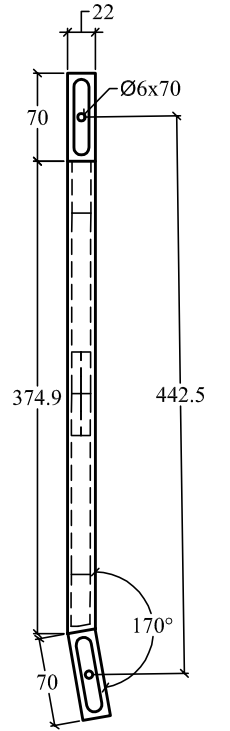
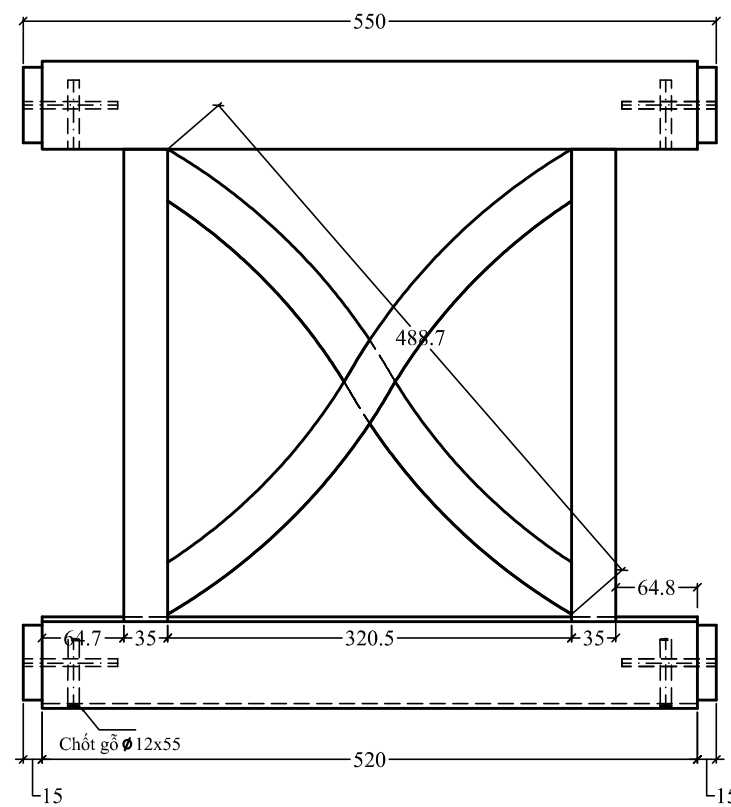
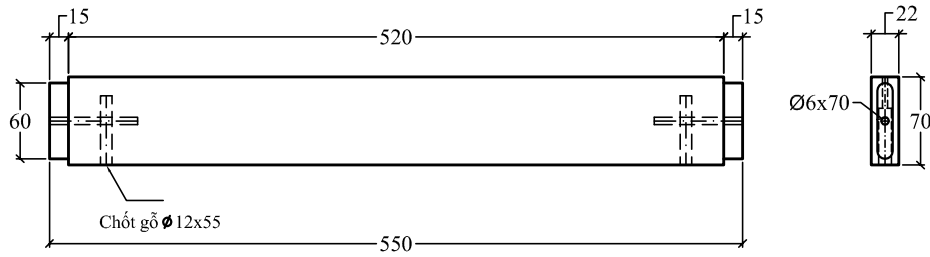
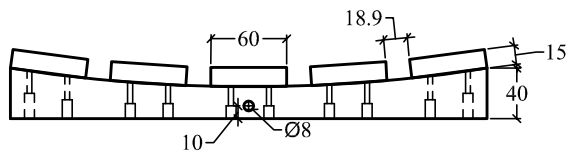
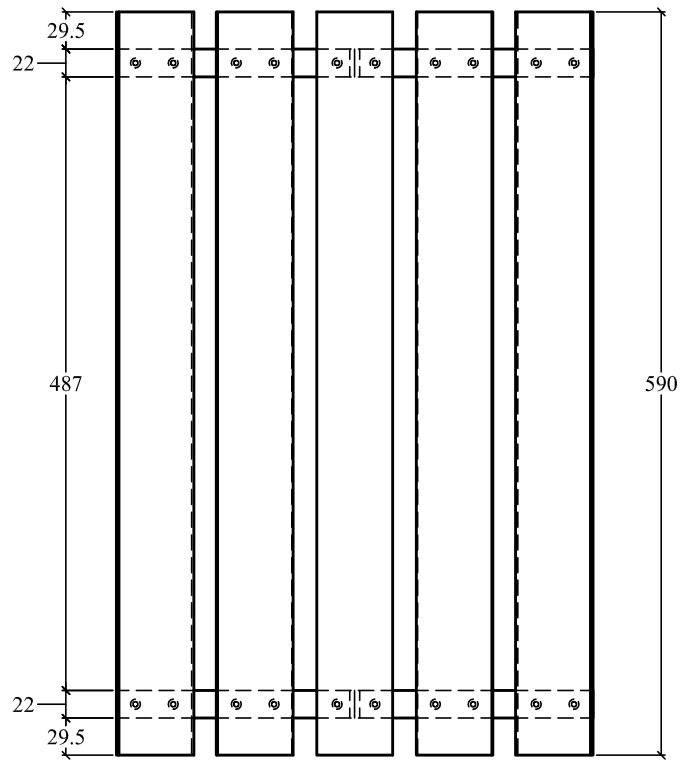
Product Name: Softcross armchair			
Detail:			
Dimension:			
Drawing Code:	Drawn by: lhhung	Checked by:	Material:
Update:	Designed by:	Scale: 1 / 3	Sheet Number:



Product Name: Softcross armchair			
Detail:			
Dimension:			
Drawing Code:	Drawn by: lhung	Checked by:	Material:
Update:	Designed by:	Scale: 1 / 4	Sheet Number:



Product Name: Softcross armchair			
Detail:			
Dimension:			
Drawing Code:	Drawn by: lhung	Checked by:	Material:
Update:	Designed by:	Scale: 1 / 2	Sheet Number:






Product Name: Softcross armchair

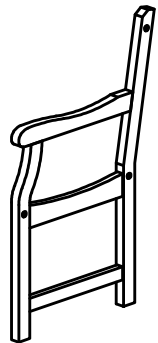
Detail:

Dimension:

Drawing Code:	Drawn by: lhhung	Checked by:	Material:
Update:	Designed by:	Scale: 1 / 6	Sheet Number:

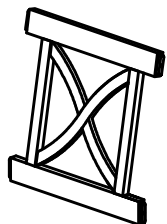
Item	Name	Q.ty	Describe
A	F - Screw 7x90	6	
B	F - Screw 7x40	2	
C	Allen Key	2	

①



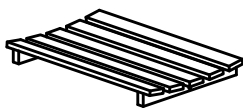
QTY 2

②



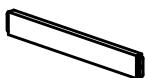
QTY 1

③



QTY 1

④



QTY 1

