

XWG-097
INSTRUCTIONMANUAL
11 FT x 13 FT Double Roof Hardtop Gazebo

The gazebo comes with 4 boxes. Sometimes they may be delivered on different day, please wait 2-3 more days or contact us for help.

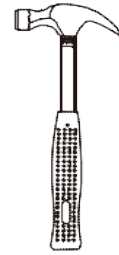
**Note: The gazebo needs to be installed in cooperation with five people.
The following tools are not included and needed for assembly:**



Pistol Drill



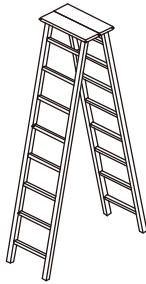
Tape Measure



Hammer



Screwdriver



Ladder



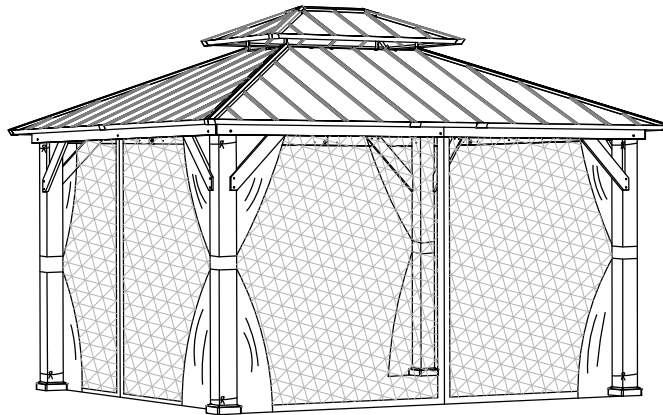
5 people

Warning

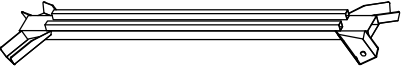
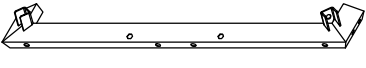
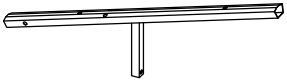






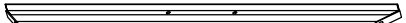





1. A 5 person assembly is required for this gazebo.
2. Please take appropriate actions as heavy rain, wind and snow can damage the gazebo. If necessary please dis-assemble and store for later use.
3. In snowy conditions, please do not allow the thickness of the snow to be more than 1.82 inch on the roof, this should be cleared as soon as possible for your safety. When the wind speed resches 38.49 km/h, please take measures to avoid the wind.
4. Care the wooden struction of the gazebo like painting with anticorrosive paint every two months or dry the wooden parts and then paint when it is in rainy season, can let the gazebo service longer.


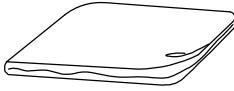
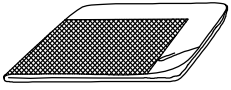
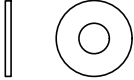
Attention:

1. Please fix all the screws first, do not lock off, after assembling is fully completed, lock all at once finally.
2. Please check the manual carefully and make sure you have received all the parts.
3. If there is any missing, please let us know the letter of the parts you need.
4. If there is any damage, please send clear photos to us, we will check and offer you best solution soon.

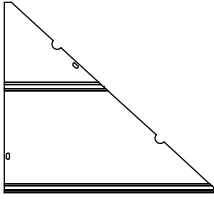
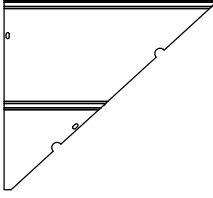
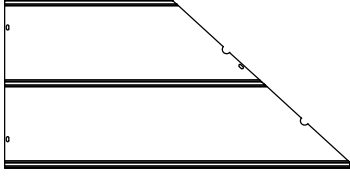
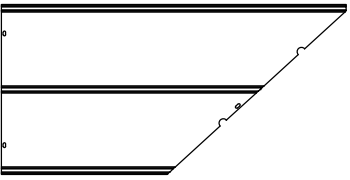
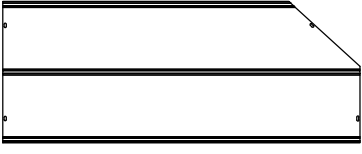
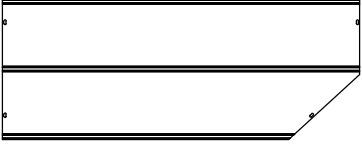
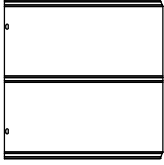
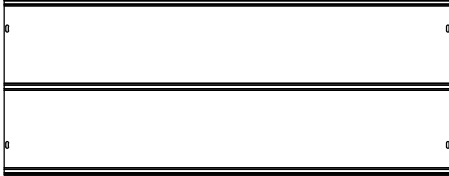


Parts List (Box A)

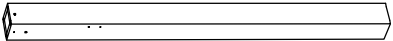
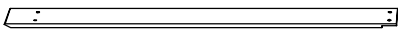

<p>D</p>  <p>Top Roof Connector</p> <p>1 PC</p>	<p>E2</p>  <p>Big Roof Short Side Tube</p> <p>2 PCS</p>	<p>F</p>  <p>Top Roof Side Beam</p> <p>4 PCS</p>
<p>G</p>  <p>Side Beam</p> <p>4 PCS</p>	<p>H</p>  <p>Middle Beam</p> <p>6 PCS</p>	<p>I</p>  <p>Side Beam Lower Connector</p> <p>4 PCS</p>
<p>K1</p>  <p>Big Roof Left Lower Tube</p> <p>4 PCS</p>	<p>K2</p>  <p>Big Roof Right Lower Tube</p> <p>4 PCS</p>	<p>K3</p>  <p>Long Roof Middle Lower Tube</p> <p>2 PCS</p>
<p>K4</p>  <p>Top Roof Short Tube</p> <p>2 PCS</p>	<p>K5</p>  <p>Top Roof Long Tube</p> <p>2 PCS</p>	<p>M2</p>  <p>Screen Long Tube</p> <p>4 PCS</p>
<p>R1</p>  <p>Top Roof Middle Cover</p> <p>1 PC</p>	<p>R2</p>  <p>Top Roof Side Cover</p> <p>4 PCS</p>	<p>R3</p>  <p>Side Cover</p> <p>4 PCS</p>



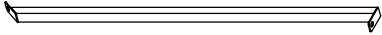

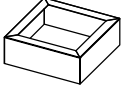

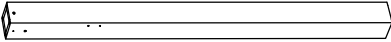
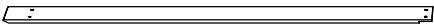
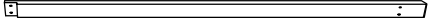



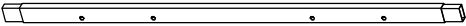
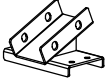


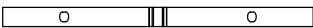

<p>T</p>  <p>Plastic ring</p>	<p>U1</p>  <p>Curtain</p>	<p>U2</p>  <p>Mosquito netting</p>
<p>88 PCS</p>	<p>1 PC</p>	<p>1 PC</p>
<p>V</p>  <p>Rubber Gasket</p>		
<p>18 PCS</p>		

Parts List (Box B)

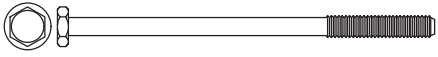


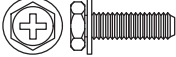

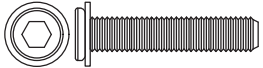
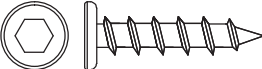
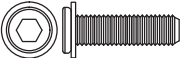
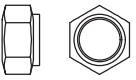


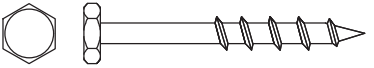
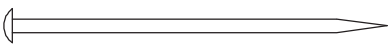
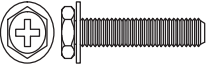






<p>P1</p>  <p>Left Small Cover Plate</p>	<p>P2</p>  <p>Right Small Cover Plate</p>	<p>P3</p>  <p>Big Roof Left Middle Cover Plate</p>
<p>8 PCS</p>	<p>8 PCS</p>	<p>4 PCS</p>
<p>P4</p>  <p>Big Roof Right Middle Cover Plate</p>	<p>P5</p>  <p>Big Roof Left Big Cover Plate</p>	<p>P6</p>  <p>Big Roof Right Big Cover Plate</p>
<p>4 PCS</p>	<p>4 PCS</p>	<p>4 PCS</p>
<p>Q1</p>  <p>Top Roof Middle Cover Plate</p>	<p>Q2</p>  <p>Big Roof Middle Cover Plate</p>	
<p>2 PCS</p>	<p>2 PCS</p>	

Parts List (Box C)

<p>08</p>  <p>Post</p>	<p>03</p>  <p>Outer Long Left Beam (Short)</p>	<p>04</p>  <p>Outer Long Right Beam (Short)</p>
<p>2 PCS</p>	<p>2 PCS</p>	<p>2 PCS</p>

05		06		L1	
	Inner Middle Beam		Inner Short Beam (Short)		Big Roof Up Beam
	4 PCS		4 PCS		8 PCS
L2		B		C	
	Big Roof Down Beam		Base Cover		Base
	8 PCS		4 PCS		4 PCS
Parts List (Box D)					
08		01		02	
	Post		Outer Long Left Beam (Long)		Outer Long Right Beam (Long)
	2 PCS		2 PCS		2 PCS
07		10		11	
	Inner Short Beam (Long)		Arc Support 1		Arc Support 2
	4 PCS		4 PCS		4 PCS
E1		J		L3	
	Big Roof Long Side Tube		Middle Beam Lower Connector		Big Roof Long Side Beam
	2 PCS		6 PCS		4 PCS
M1		S1		S2	
	Screen Short Tube		Press Panel 1		Press Panel 2
	4 PCS		4 PCS		12 PCS

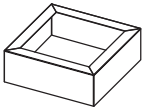
Hardware List

<p>AA</p>  <p>Hex Head Bolt M10x205</p> <p>8 PCS</p>	<p>CC</p>  <p>Self-tapping Screw M5x40</p> <p>64 PCS</p>	<p>EE</p>  <p>Self-tapping Screw M5x30</p> <p>72 PCS</p>
<p>FF</p>  <p>Hex Head Bolt M6x20</p> <p>236 PCS</p>	<p>GG</p>  <p>Hex Head Bolt M6x15</p> <p>4 PCS</p>	<p>HH</p>  <p>Hexagon Socket Bolt M8x35</p> <p>16 PCS</p>
<p>II</p>  <p>Self-tapping Screw M8x35</p> <p>16 PCS</p>	<p>KK</p>  <p>Hexagon Socket Bolt M8x25</p> <p>24 PCS</p>	<p>LL</p>  <p>Non-Slip Nut M10</p> <p>8 PCS</p>
<p>MM</p>  <p>Washer M8</p> <p>16 PCS</p>	<p>NN</p>  <p>Washer, M10</p> <p>24 PCS</p>	<p>OO</p>  <p>Hex Head Screw M10x80</p> <p>8 PCS</p>
<p>PP</p>  <p>Stake Φ8x180</p> <p>8 PCS</p>	<p>QQ</p>  <p>Hex Head Bolt M6x40</p> <p>16 PCS</p>	<p>SS</p>  <p>Hex Head Bolt M6x60</p> <p>2 PCS</p>
<p>RR</p>  <p>M3 Drill</p> <p>2 PCS</p>	<p>Z1</p>  <p>Wrench, M6</p> <p>2 PCS</p>	<p>Z2</p>  <p>Allen Key, M8</p> <p>2 PCS</p>
<p>Z4</p>  <p>Wrench, M10</p> <p>2 PCS</p>	<p>P</p>  <p>Hook, M8</p> <p>1 PC</p>	

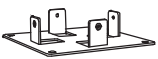
<1>



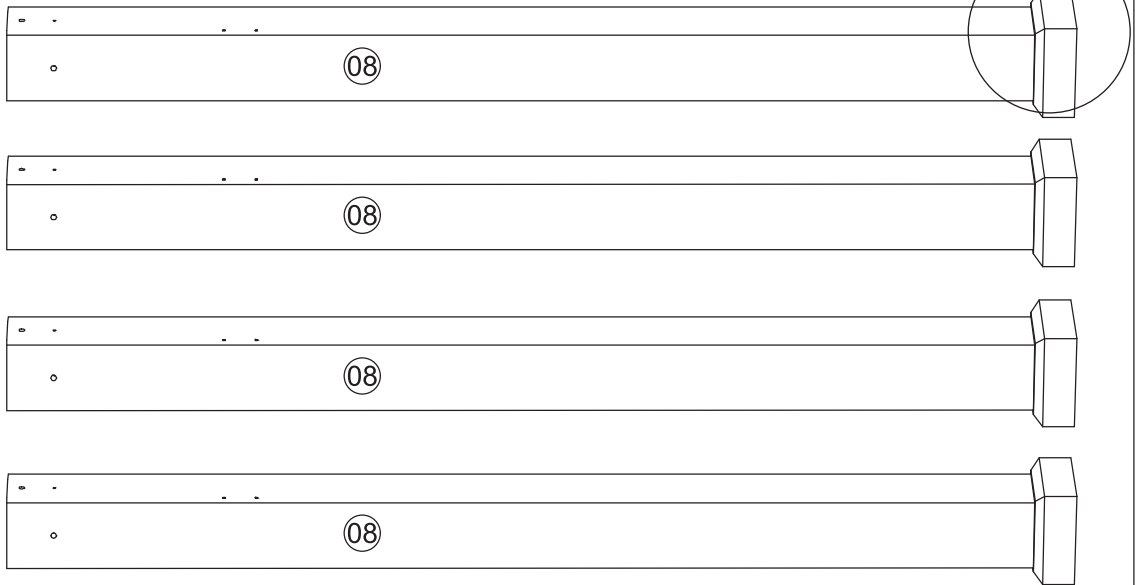
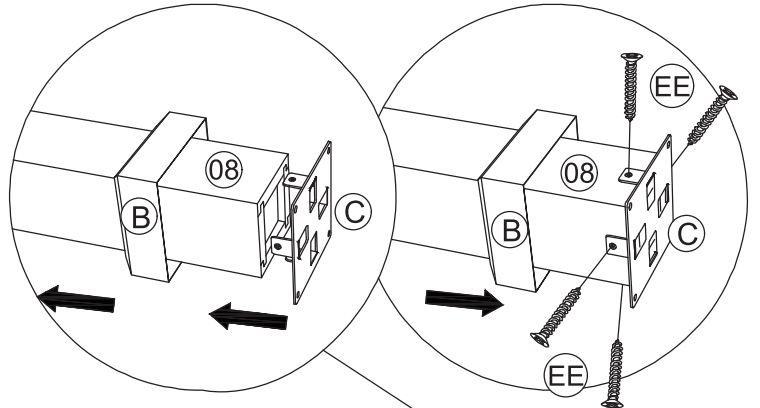
08 x4



B x4



C x4



1



M5x30

EE x16

<2>



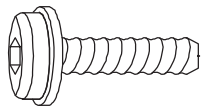
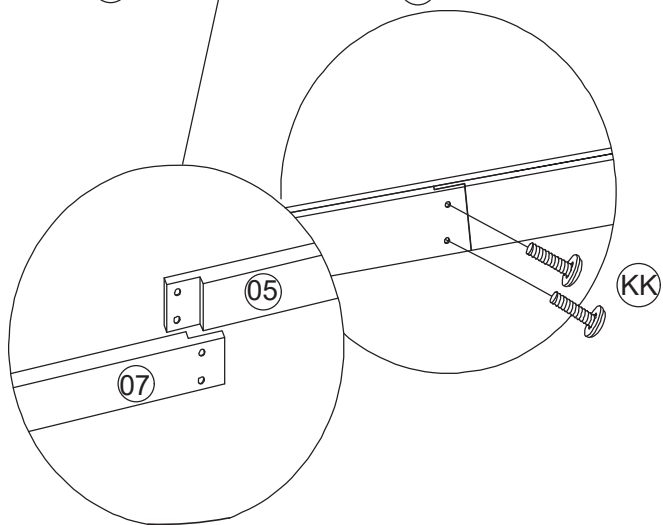
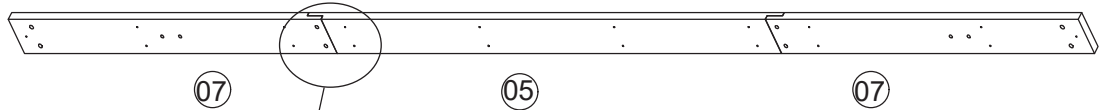
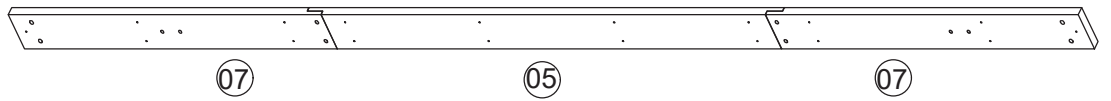
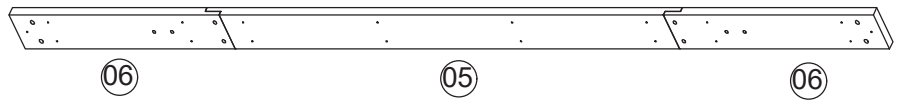
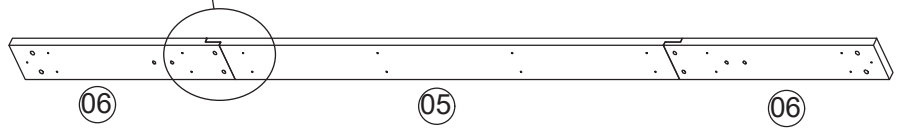
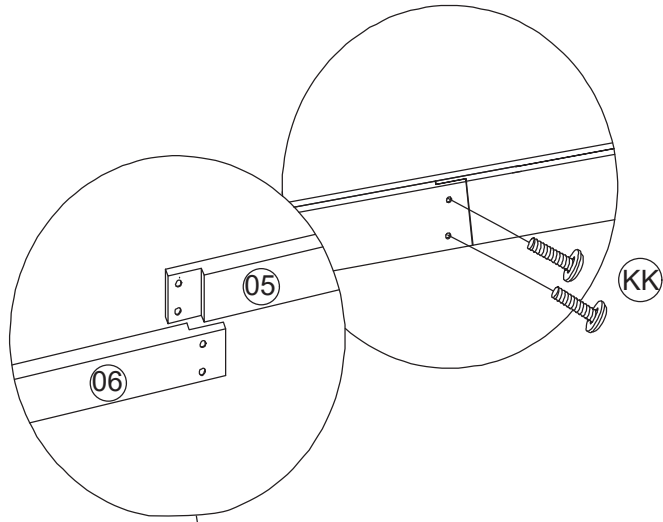
05 x4



06 x4



07 x4



M8x25

KK x16

2

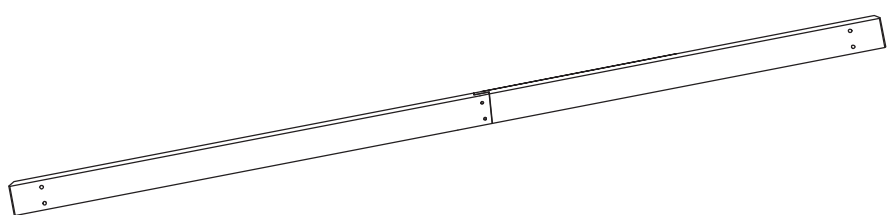
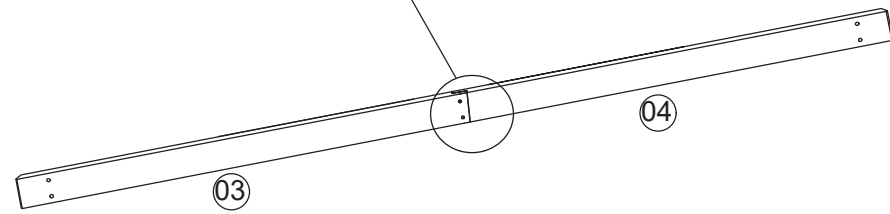
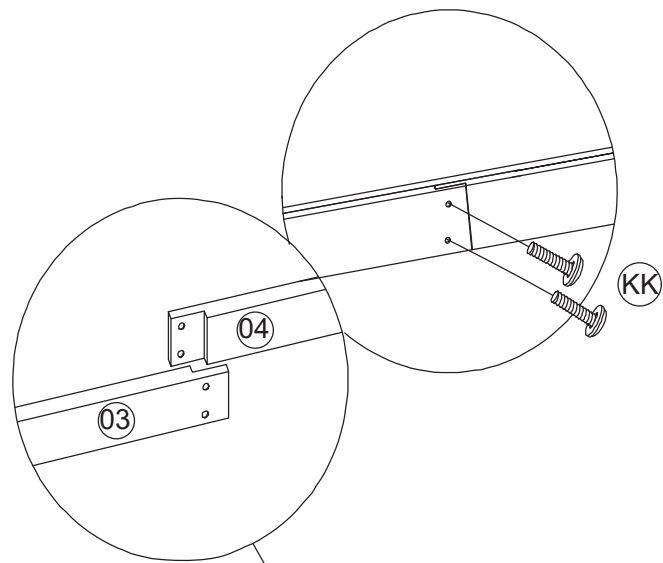
<3>



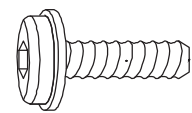
03 x2



04 x2



3



M8x25

KK x4

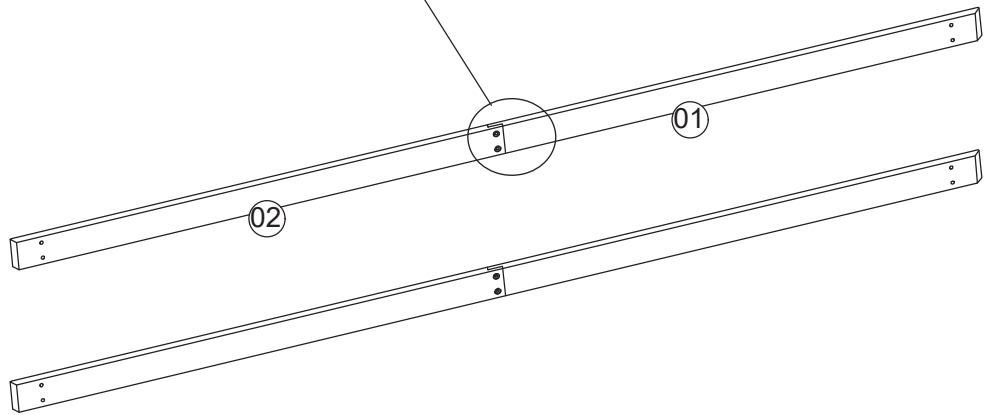
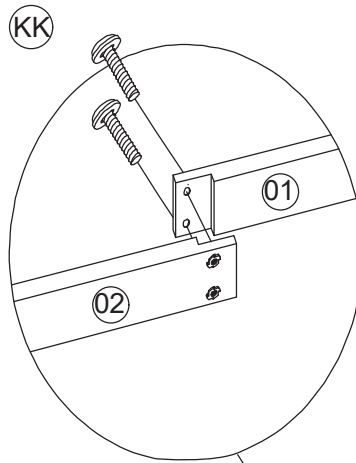
<4>



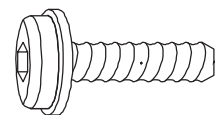
01 x2



02 x2



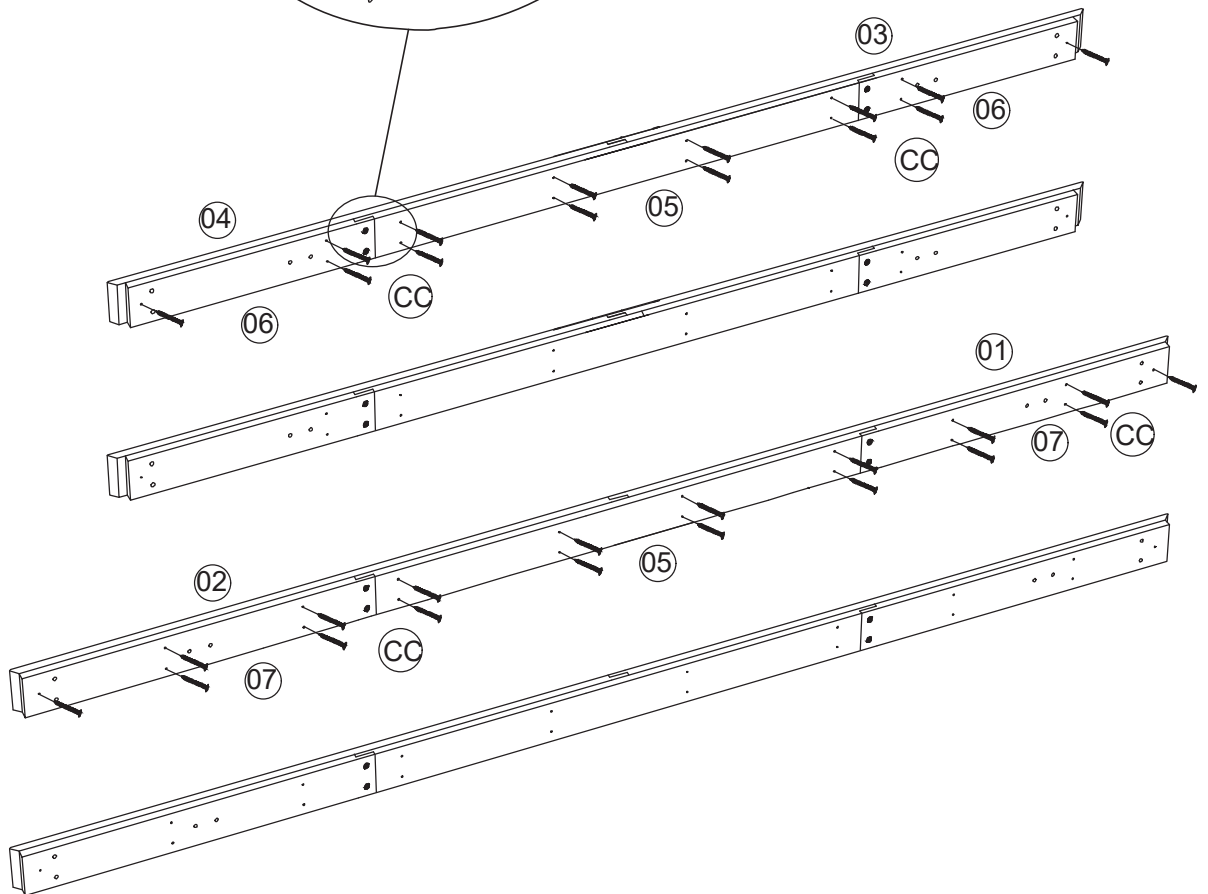
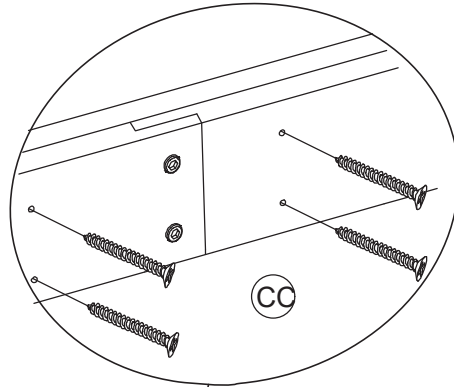
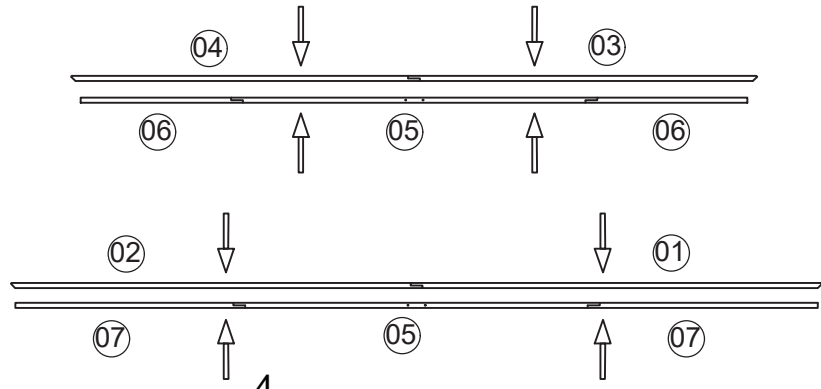
4



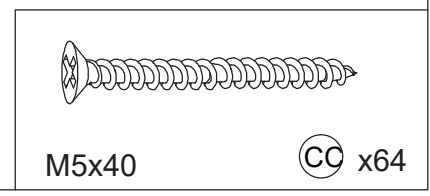
M8x25

KK x4

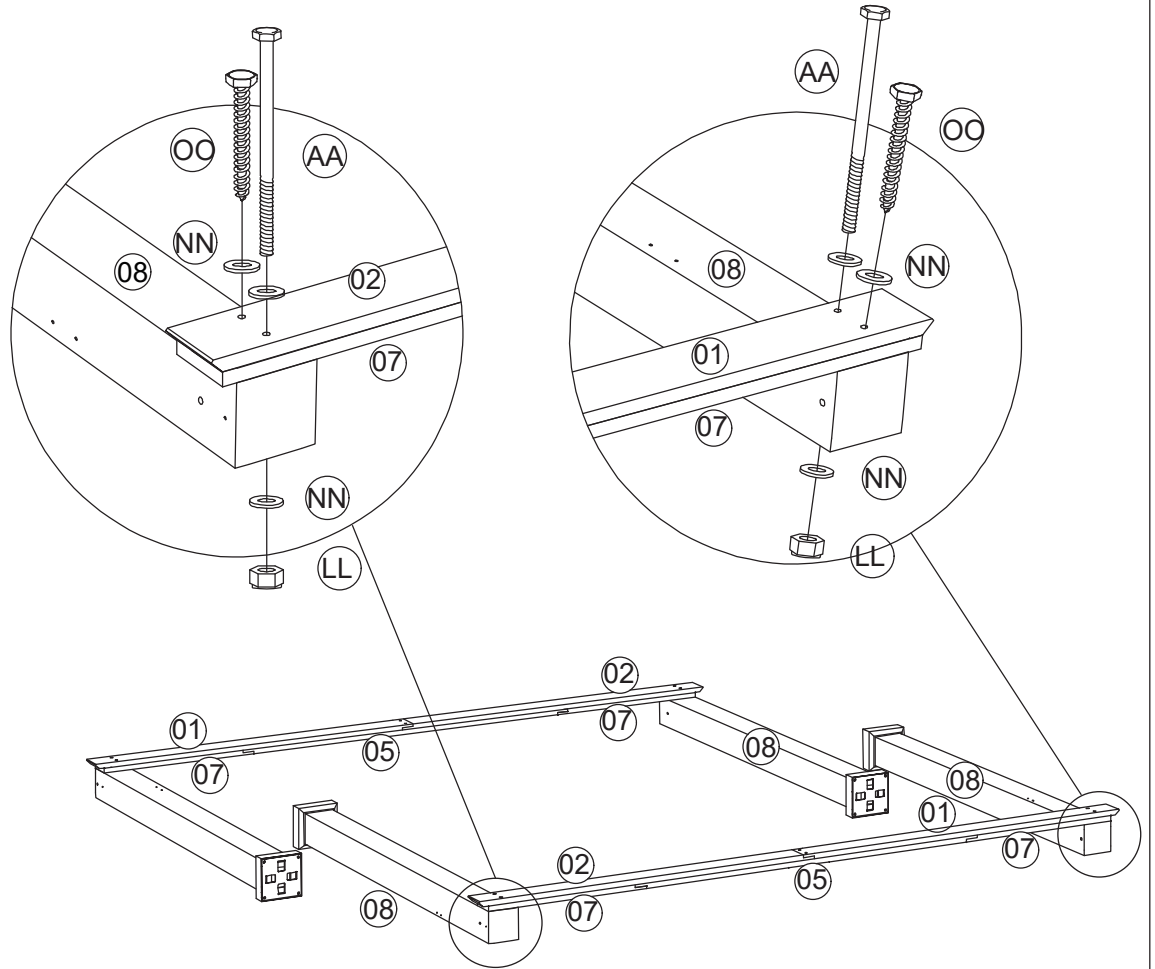
<5>



5



<6>



6



M10

(LL) x4



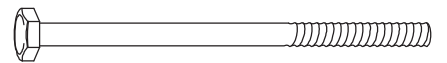
M10

(NN) x12



M10x80

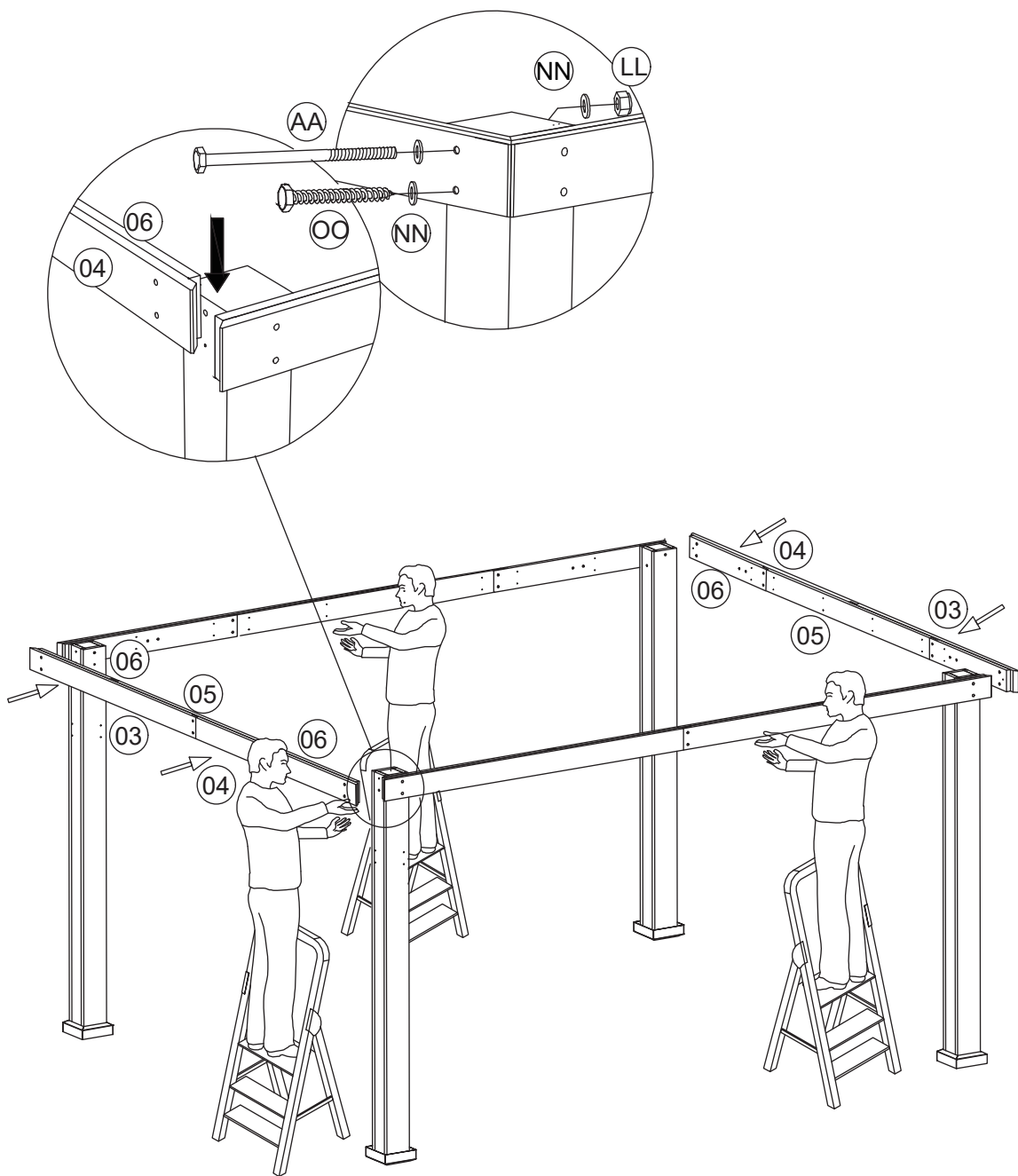
(OO) x4



M10x205

(AA) x4

<7>



7



M10

(LL) x4



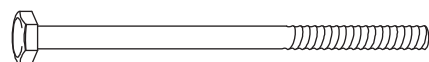
M10

(NN) x12



M10x80

(OO) x4



M10x205

(AA) x4

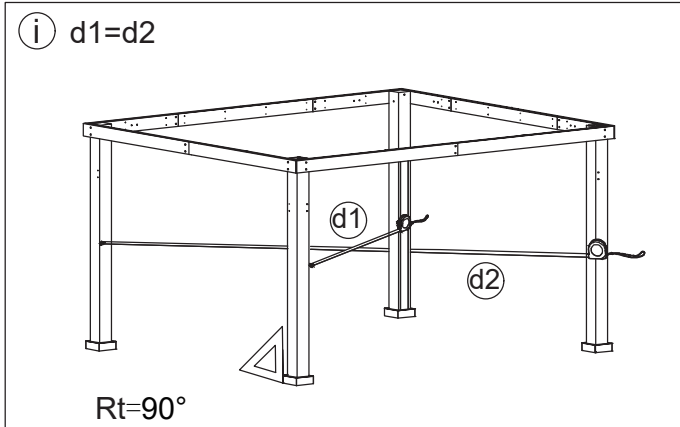
<8>



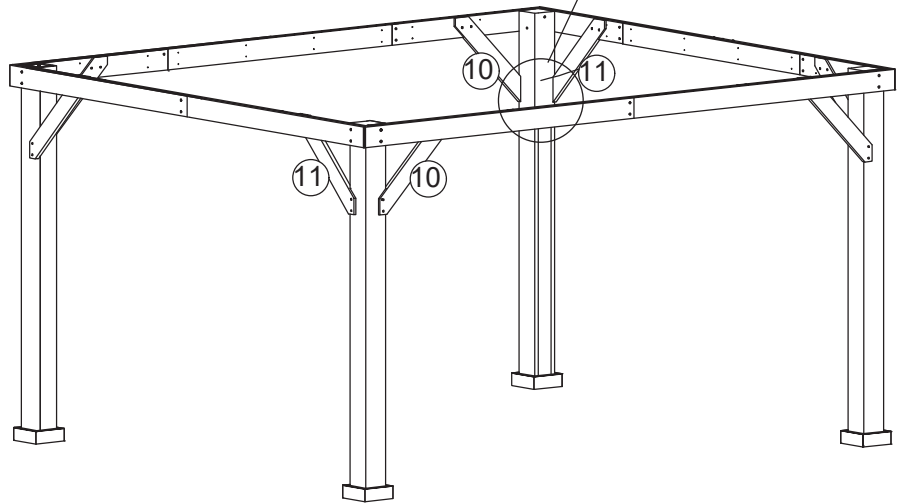
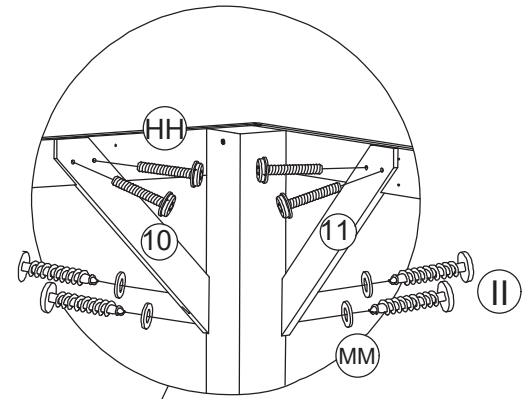
⑩ x4



⑪ x4



Tips: Please measure to make sure the length of d1 is equal to d2 before moving to next step to ensure a square frame and best results. Keep the beam at right angles to the post, the post at right angles to the ground, and keep the beam horizontal.

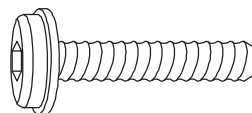


8



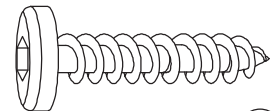
M8

①① x16



M8 x35

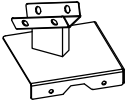
①② x16



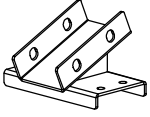
M8x35

①③ x16

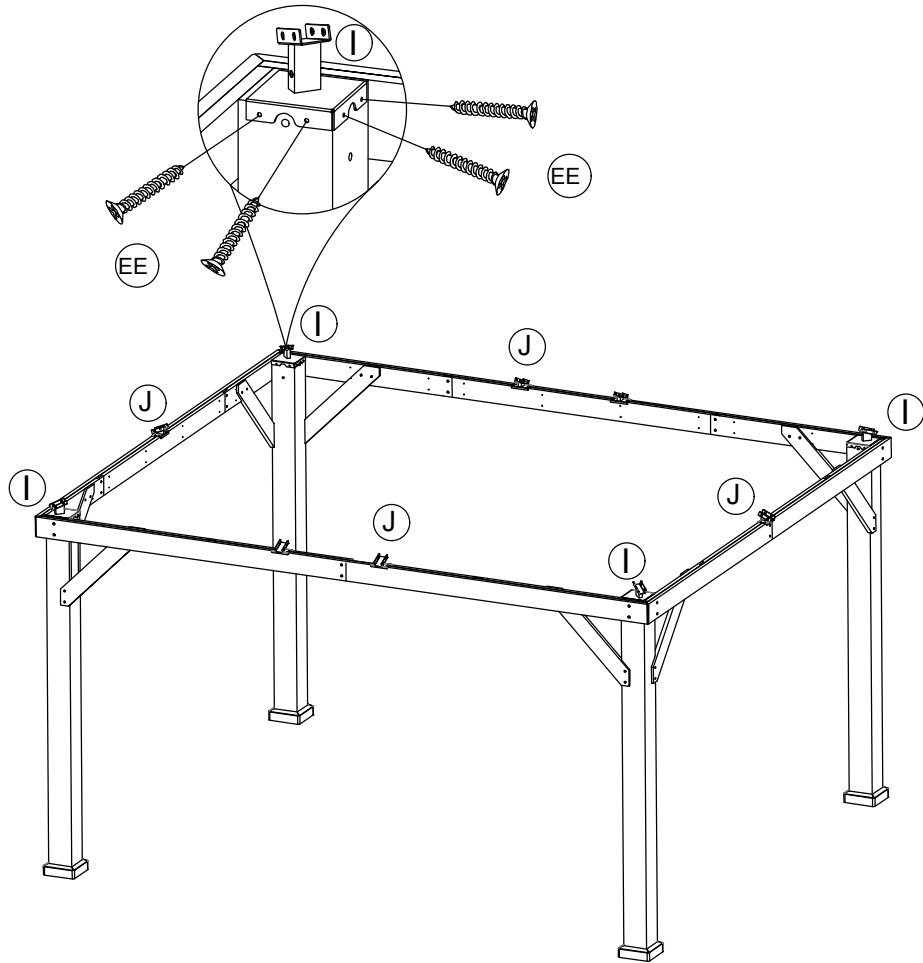
<9>



I x4



J x6



Attention: Just put the part #J on the beam, but don't lock them off with screws.



M5x30

EE x16

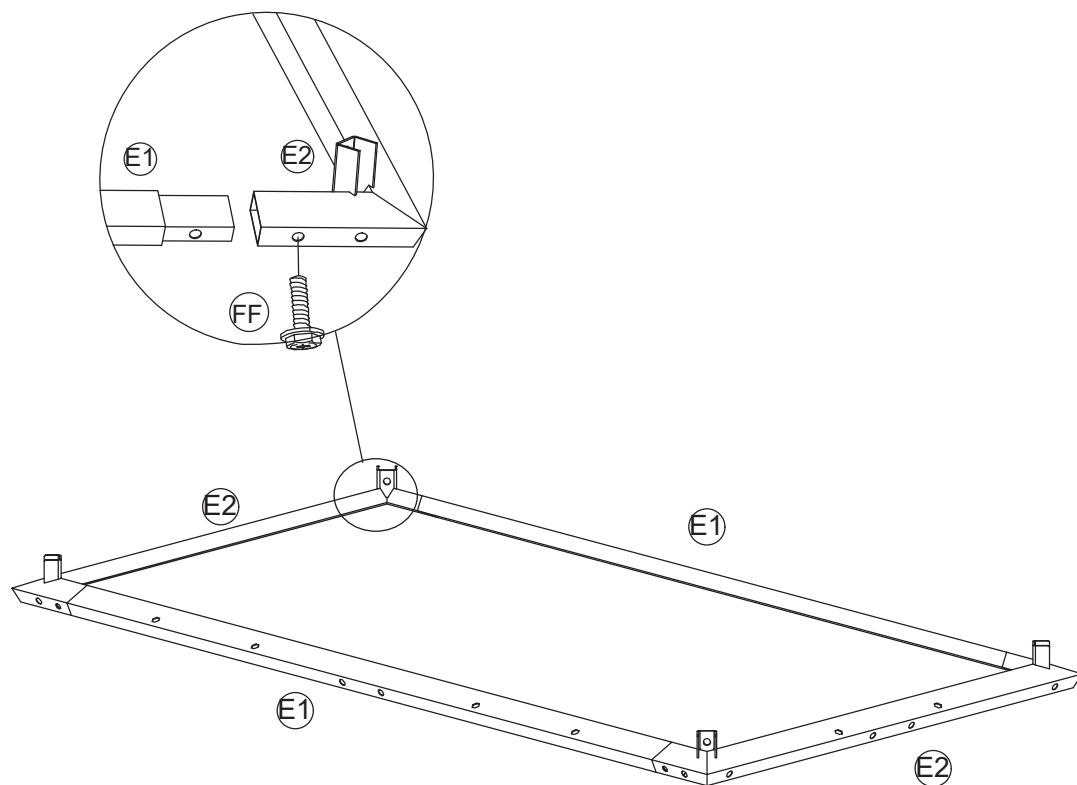
<10>



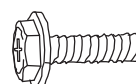
E1 x2



E2 x2



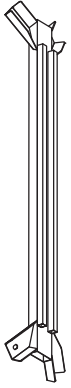
10



M6x20

FF x4

<11>

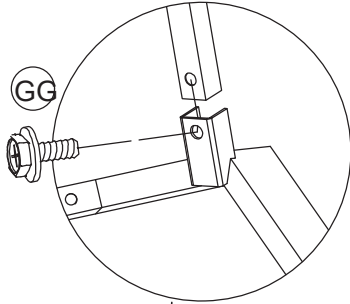


(D) x1

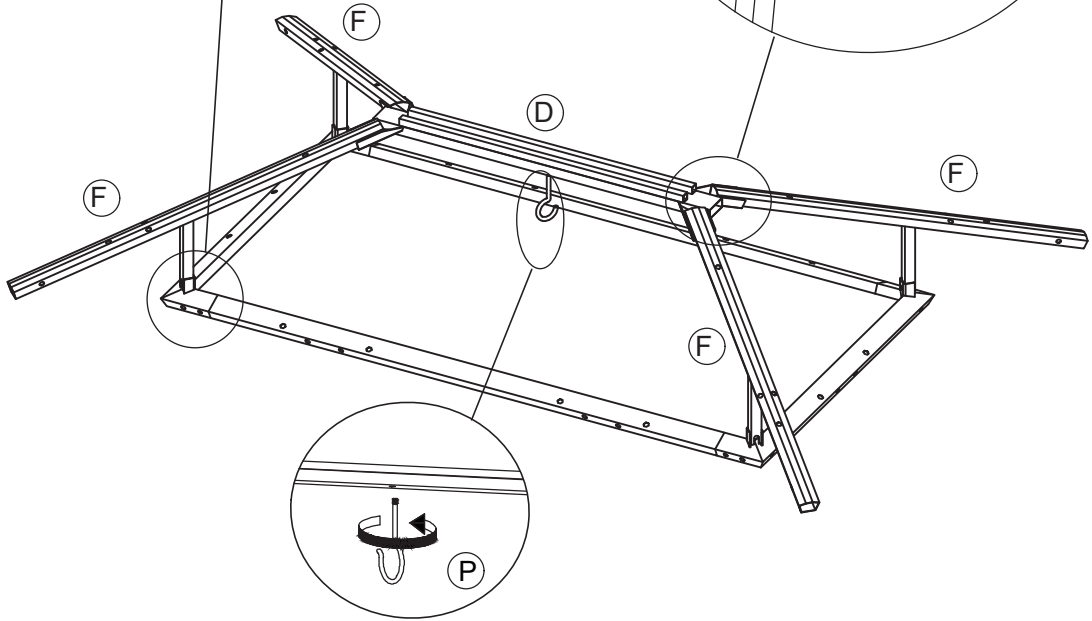
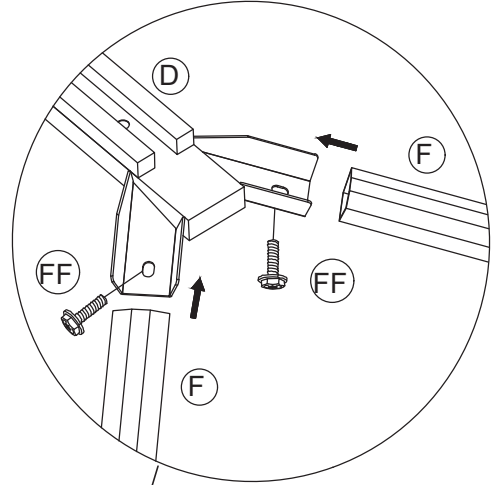


(F) x4

Step 1



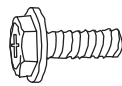
Step 2



11

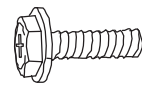


(P) x1



M6x15

(GG) x4



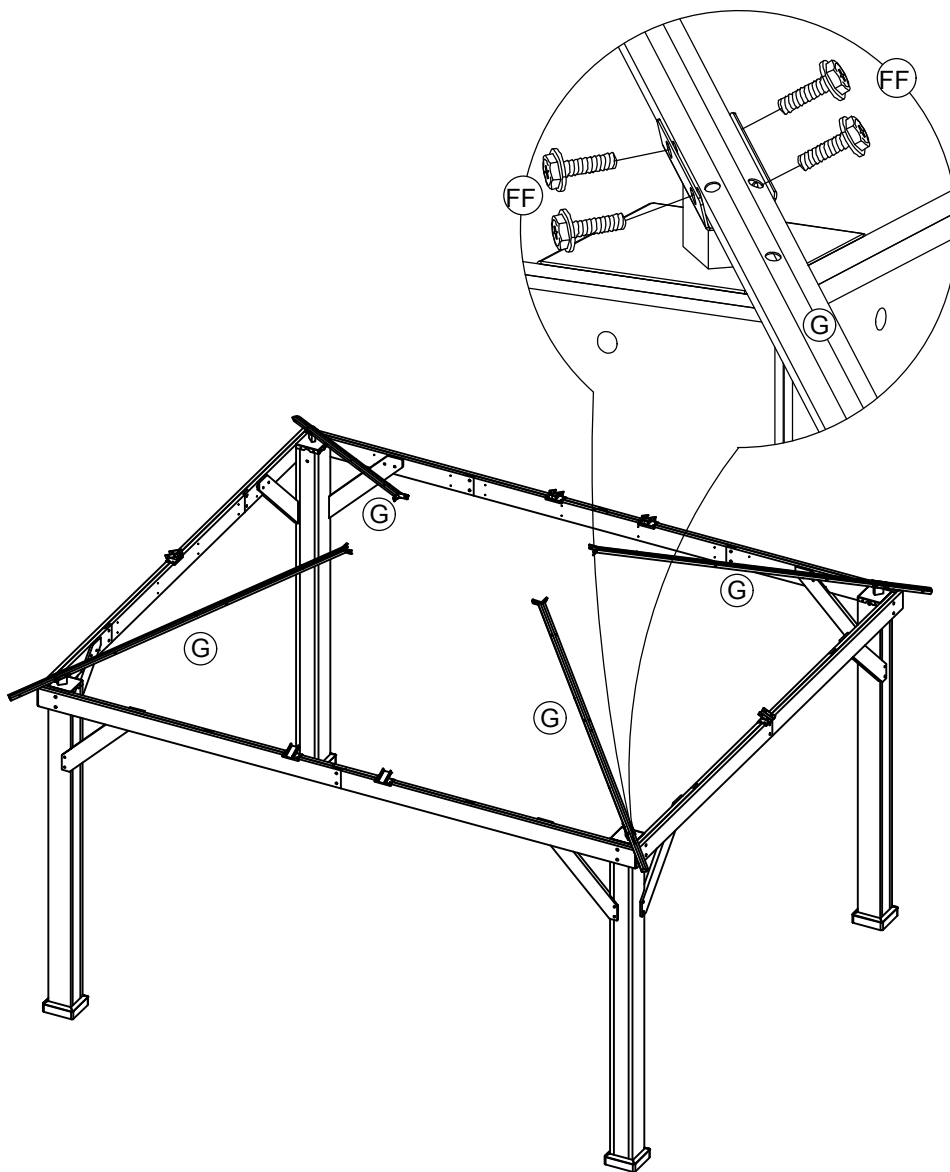
M6x20

(FF) x4

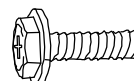
<12>



G x4



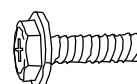
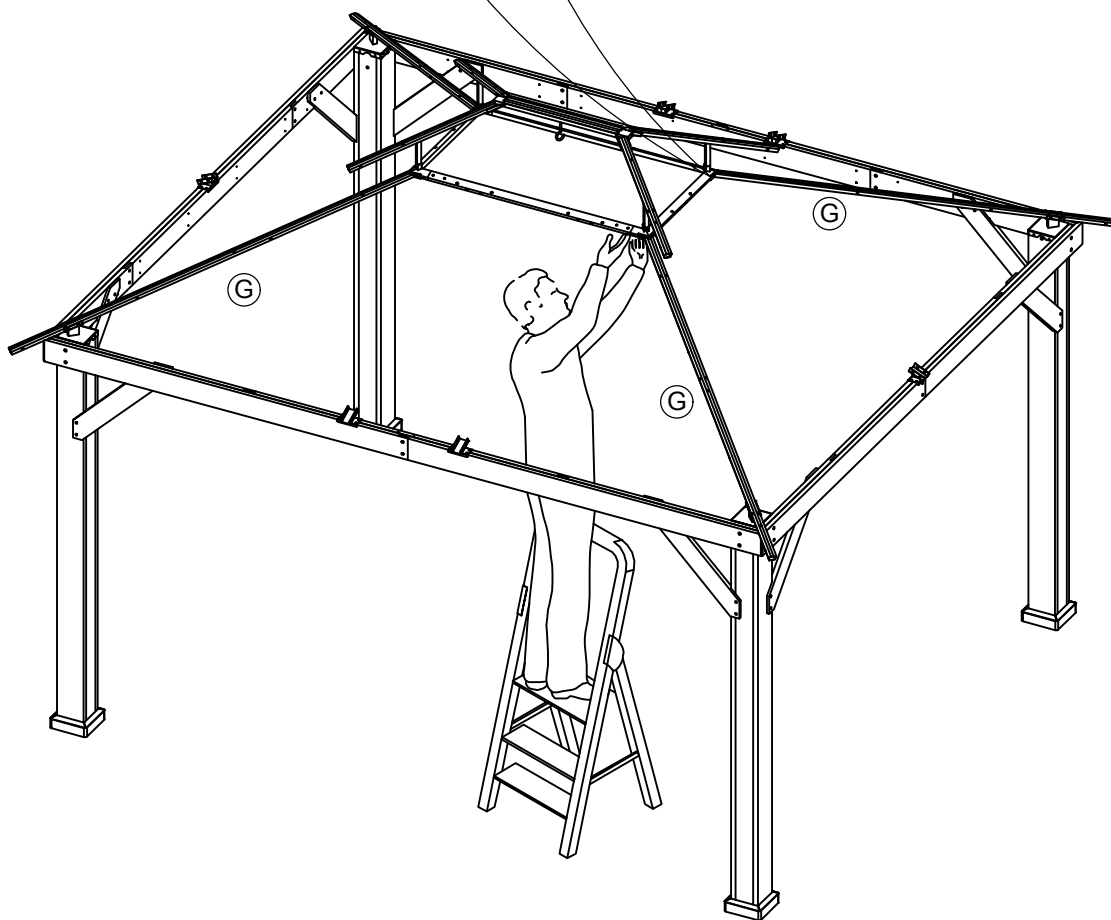
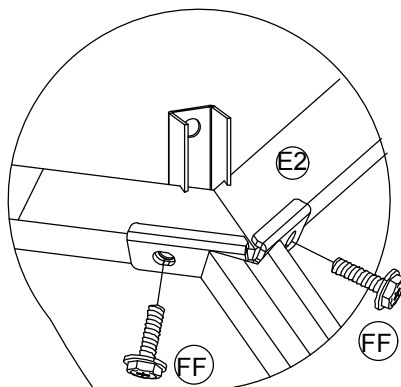
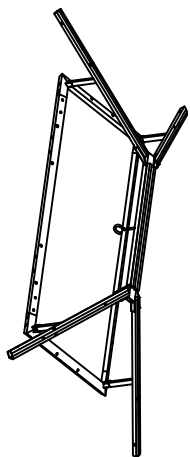
Attention:
Please double check that all #I have been secured properly. Or there will be a risk of falling.



M6x20

FF x16

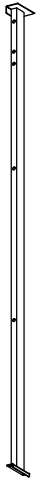
<13>



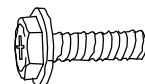
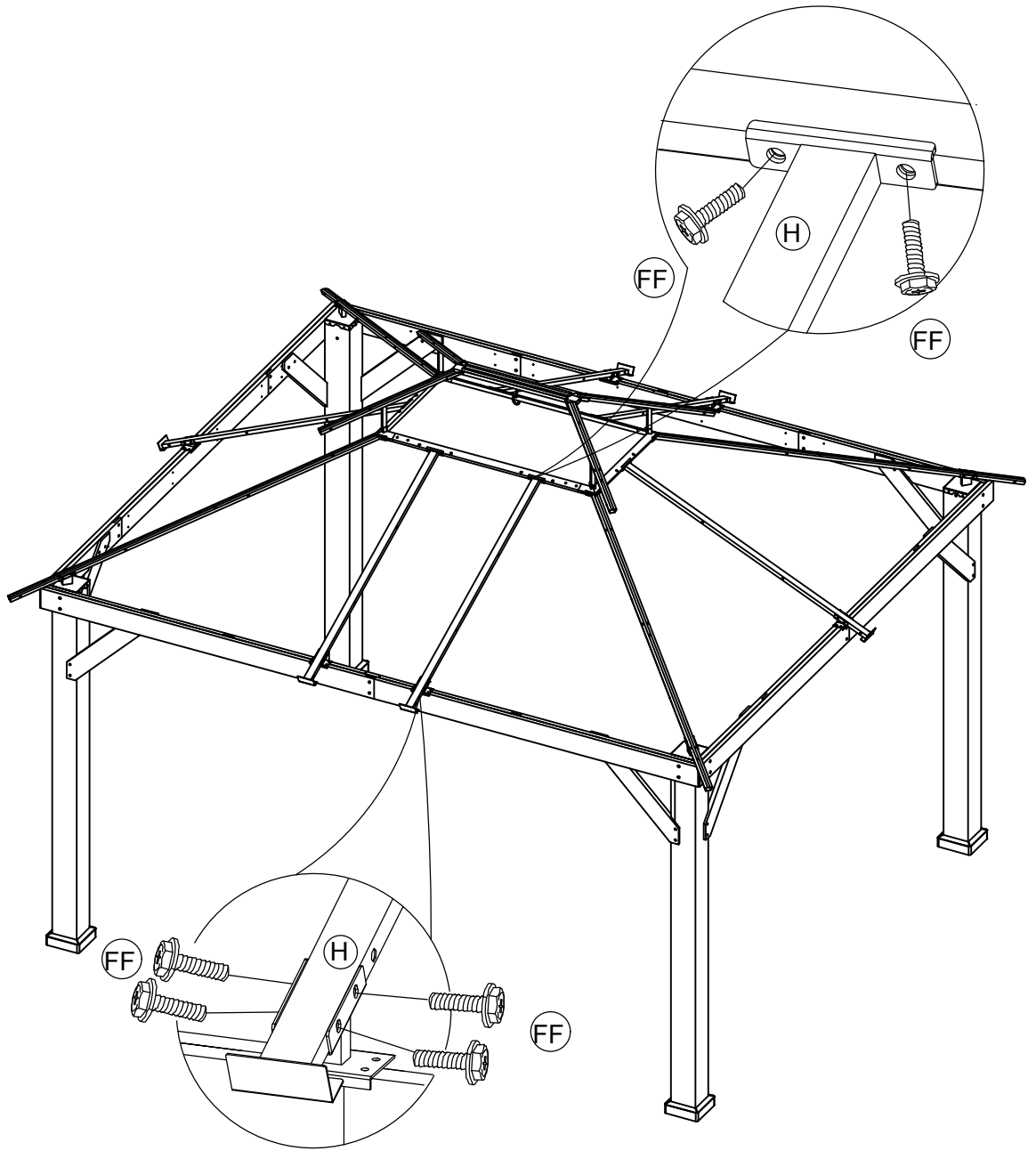
M6x20

ⓕFF x8

<14>



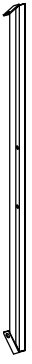
(H) x6



M6x20

(FF) x36

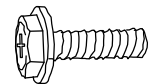
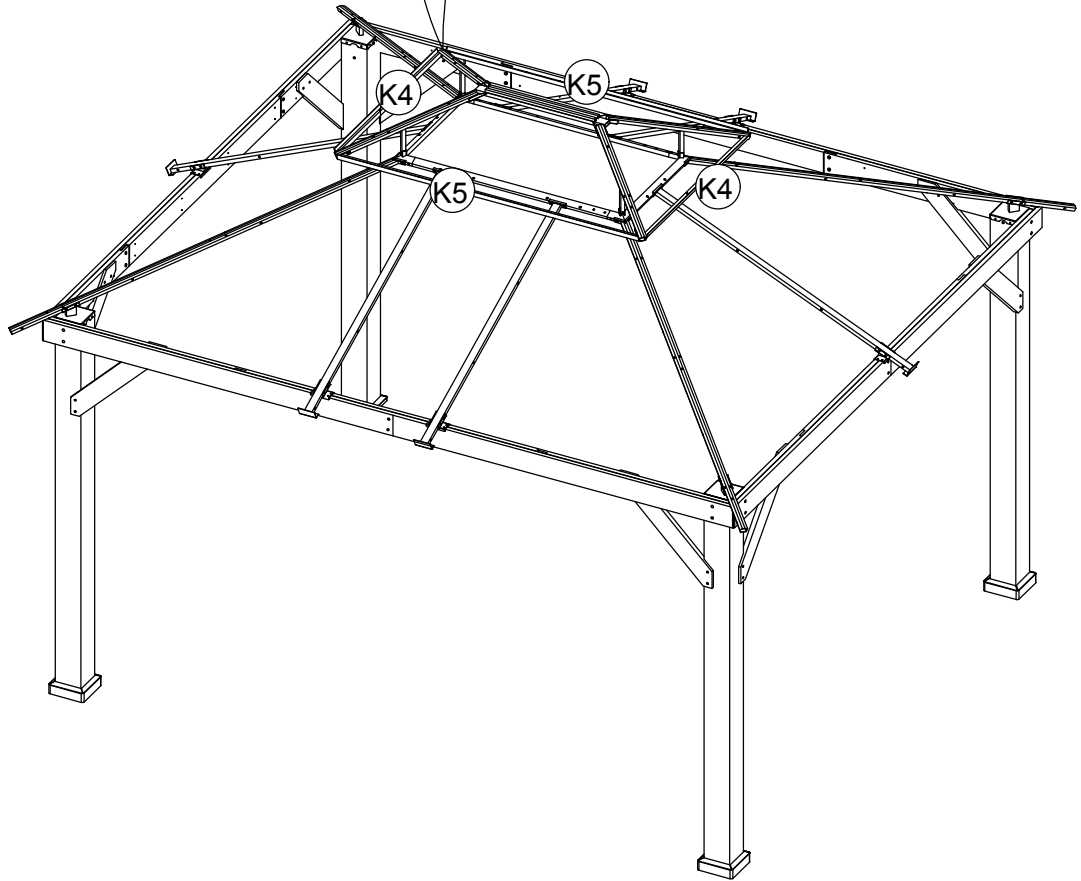
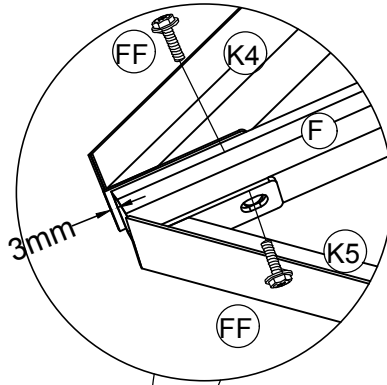
<15>



K4 x2



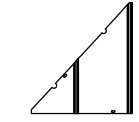
K5 x2



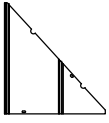
M6x20

FF x8

<16>



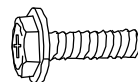
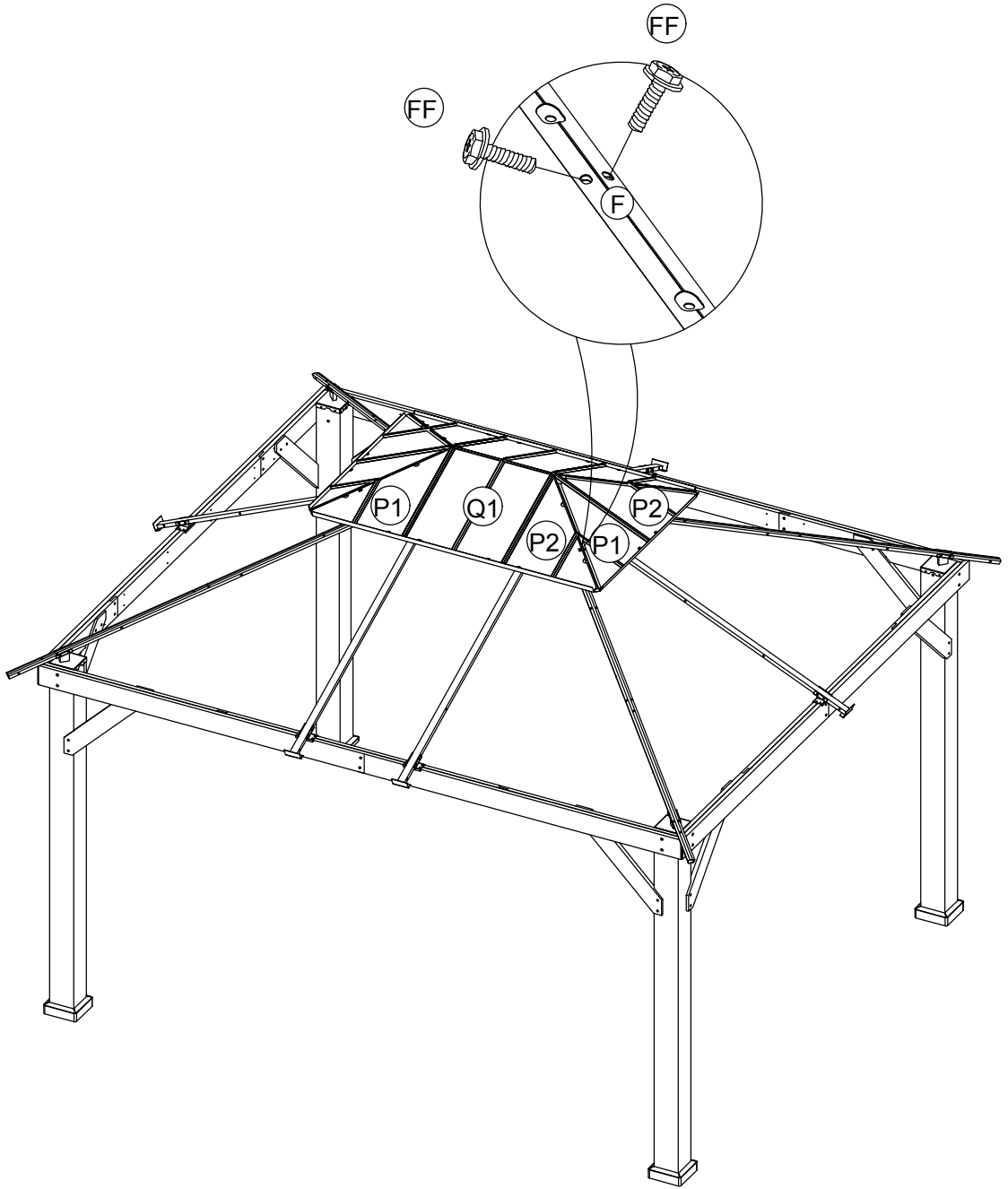
P1 x4



P2 x4



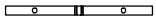
Q1 x2



M6x20

FF x8

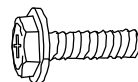
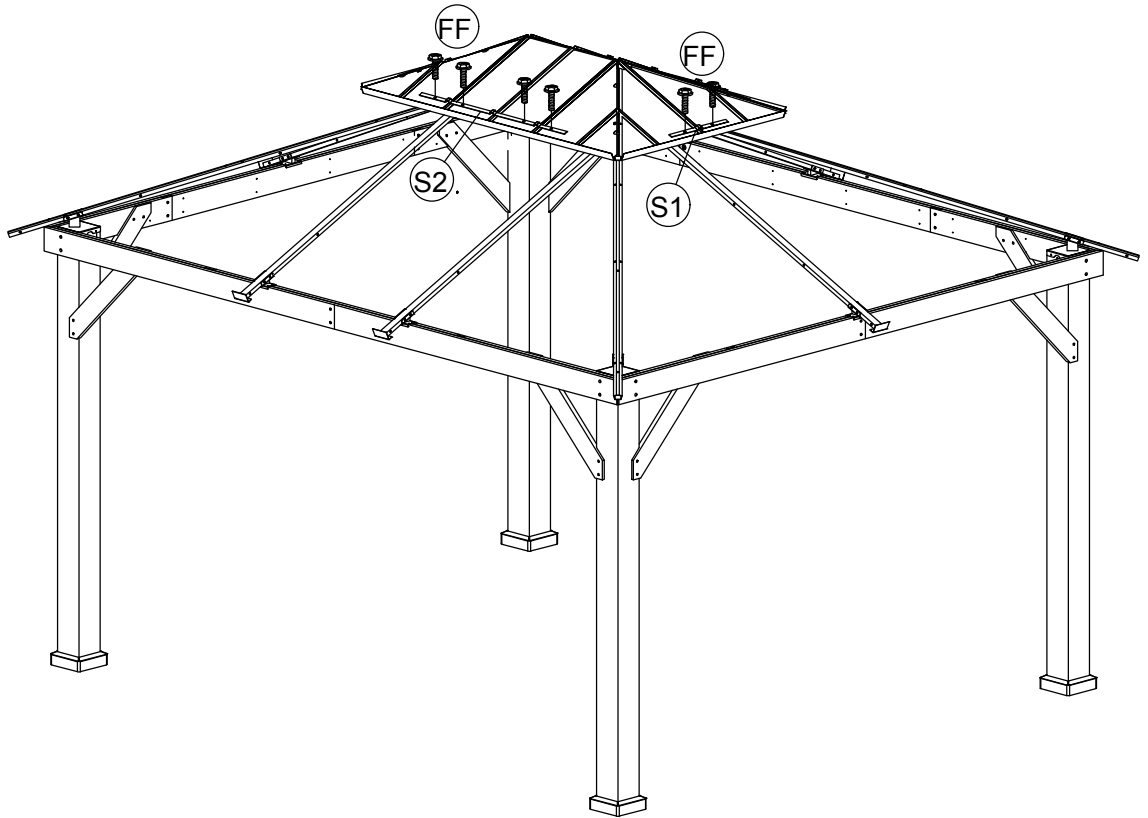
<17>



S1 x2



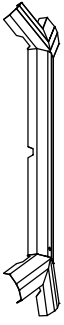
S2 x2



M6x20

FF x 12

<18>

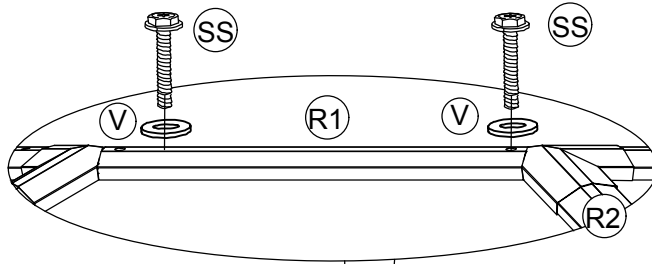


R1 x1

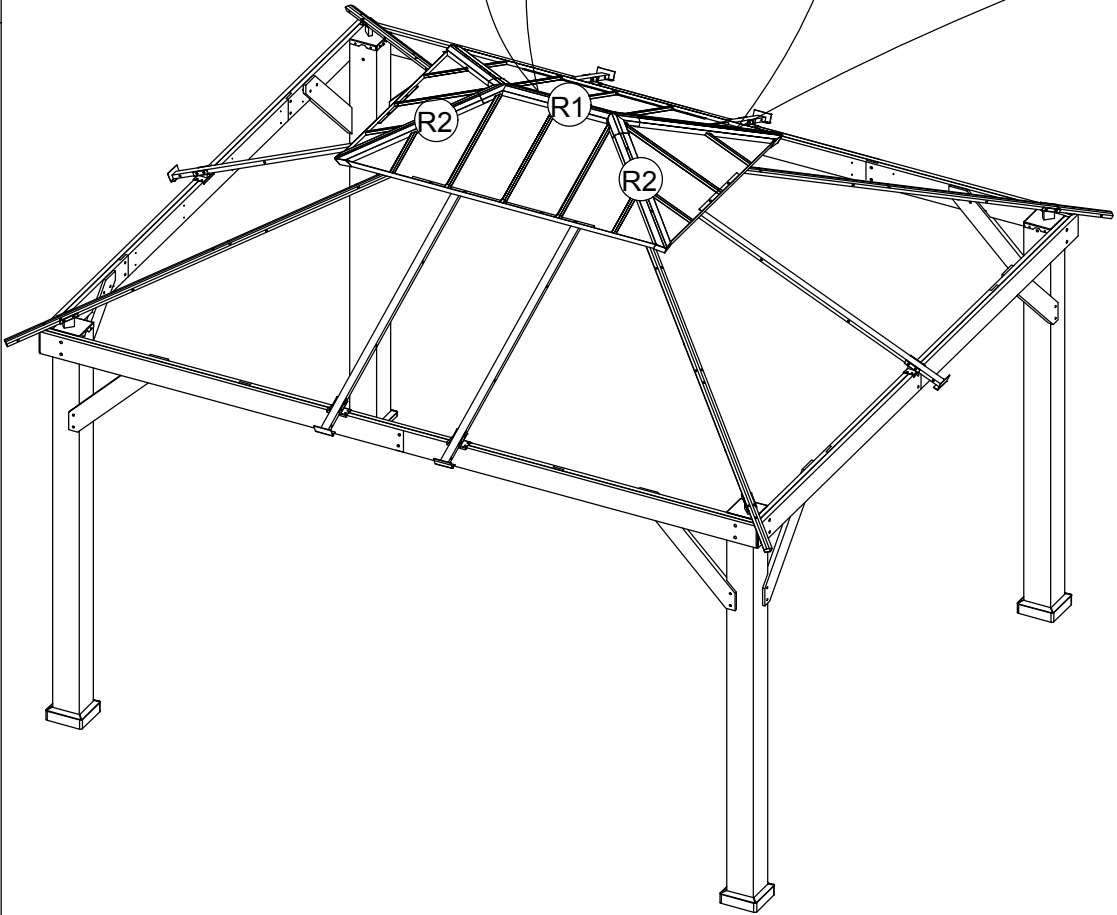
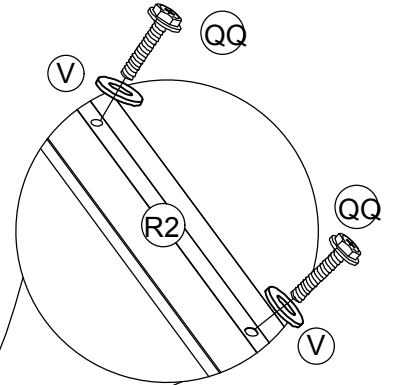


R2 x4

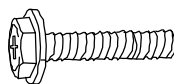
step 18b



step 18a

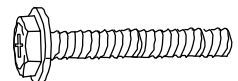


V x10



M6 x 40

QQ x8



M6x60

SS x2

<19>

L1 x8



L2 x8



L3 x4



K1 x4



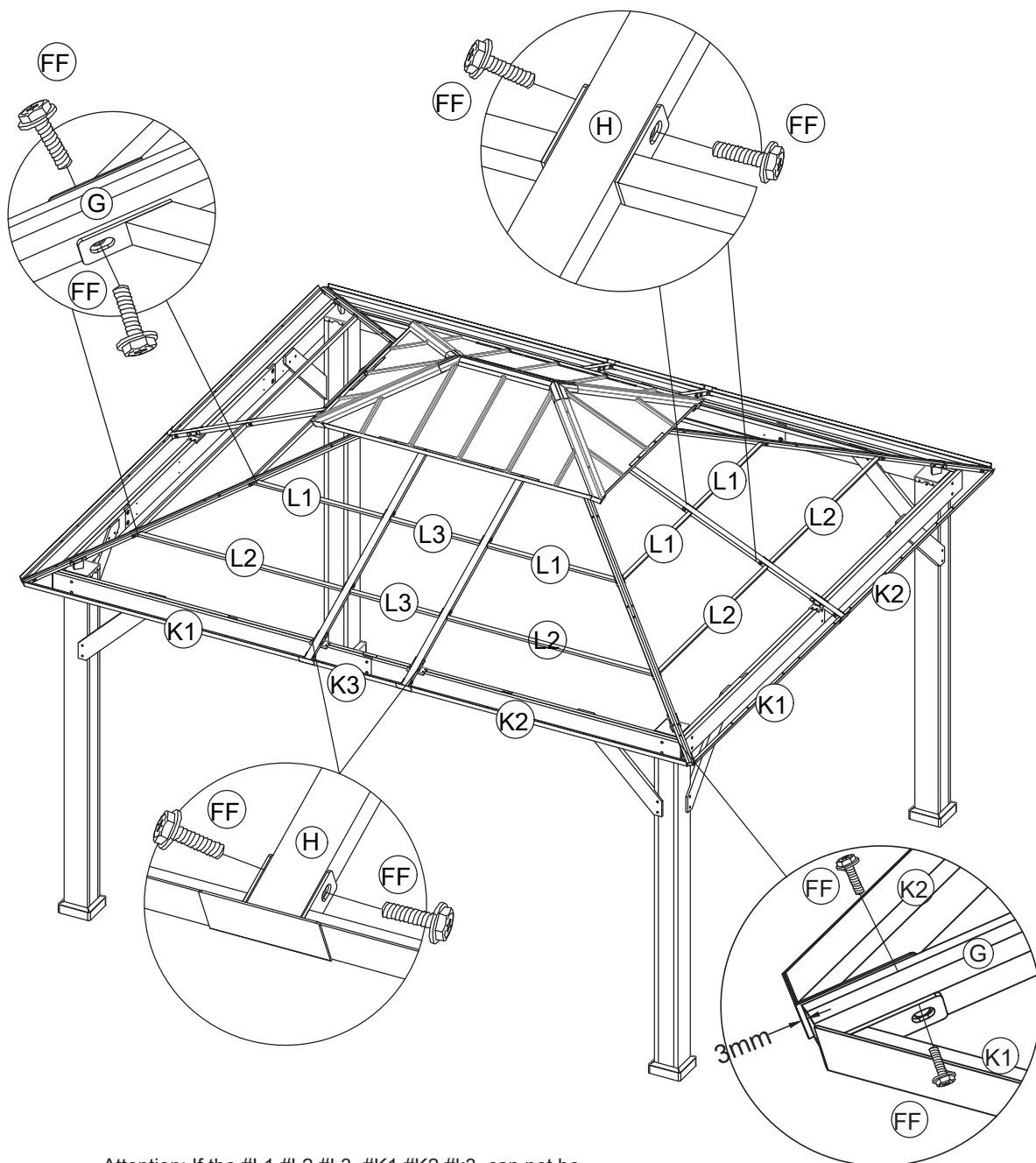
K2 x4



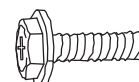
K3 x2



19



Attention: If the #L1,#L2,#L3, #K1,#K2,#K3, can not be matched perfectly, you could rap the #H slightly to adjust.



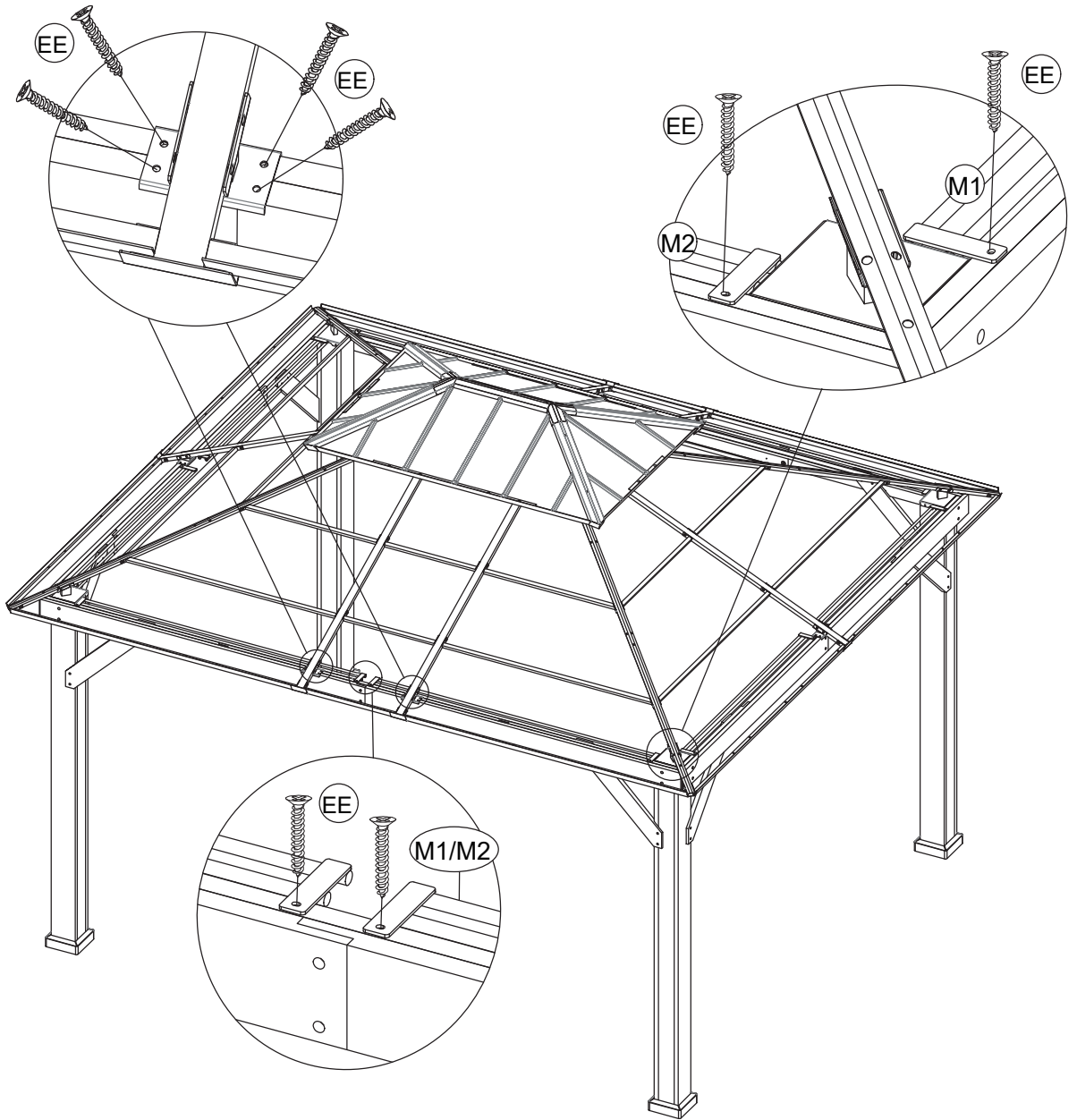
M6 x20

FF x 60

<20>

M1 x4

M2 x4



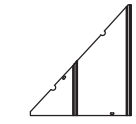
20



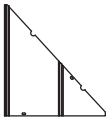
M5x30

EE x40

<21>



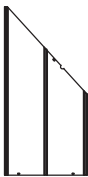
P1 x4



P2 x4



P3 x4



P4 x4



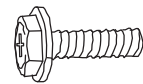
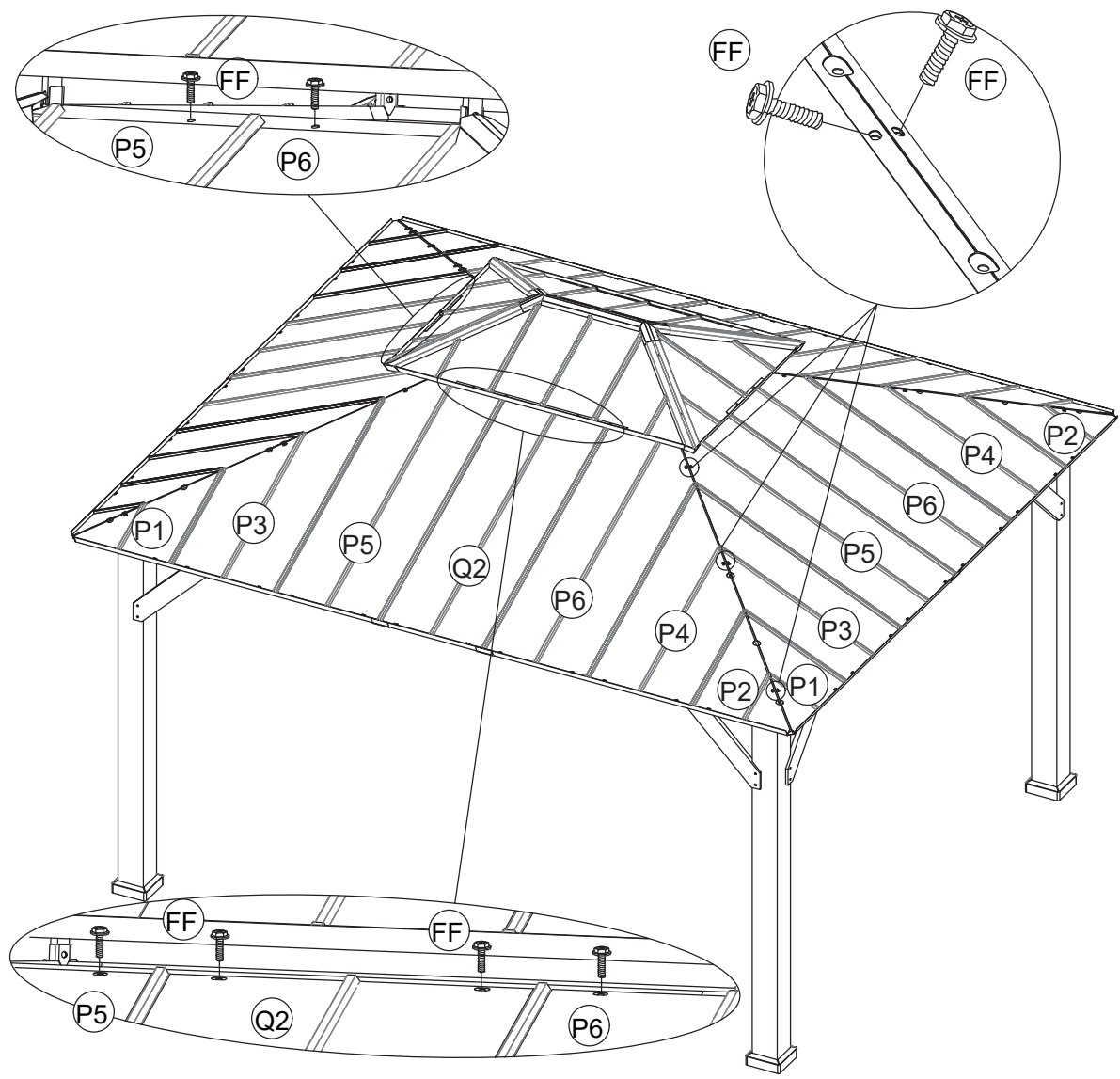
P5 x4



P6 x4



Q2 x2



M6 x20

FF x36

21

<22>



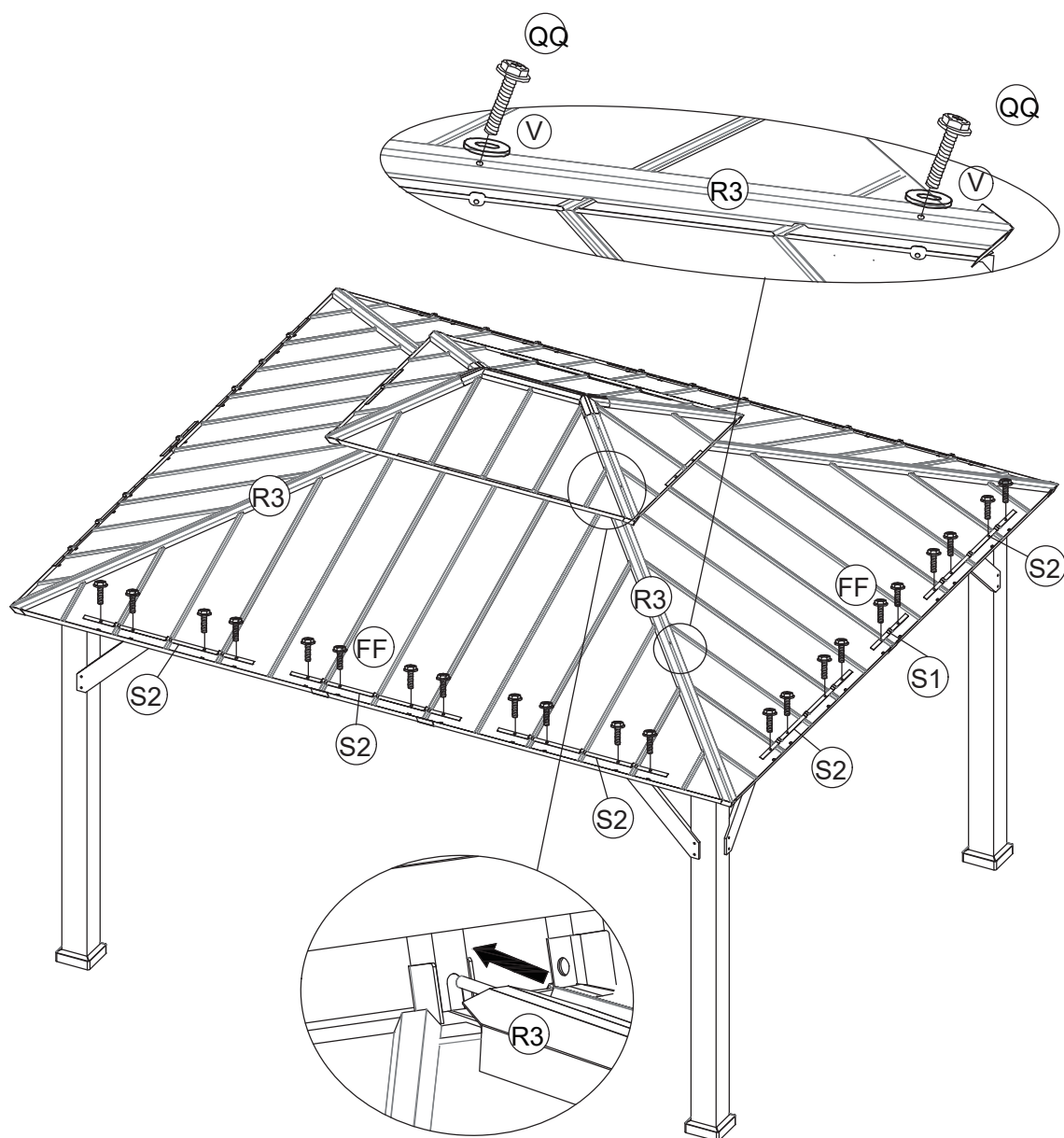
(S1) x2



(S2) x10



(R3) x4

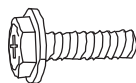


Attention: Pls assemble the screw that on the upside of the #R3 from the middle area between the small roof and big roof inside the gazebo.

22

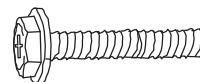


(V) x8



M6 x20

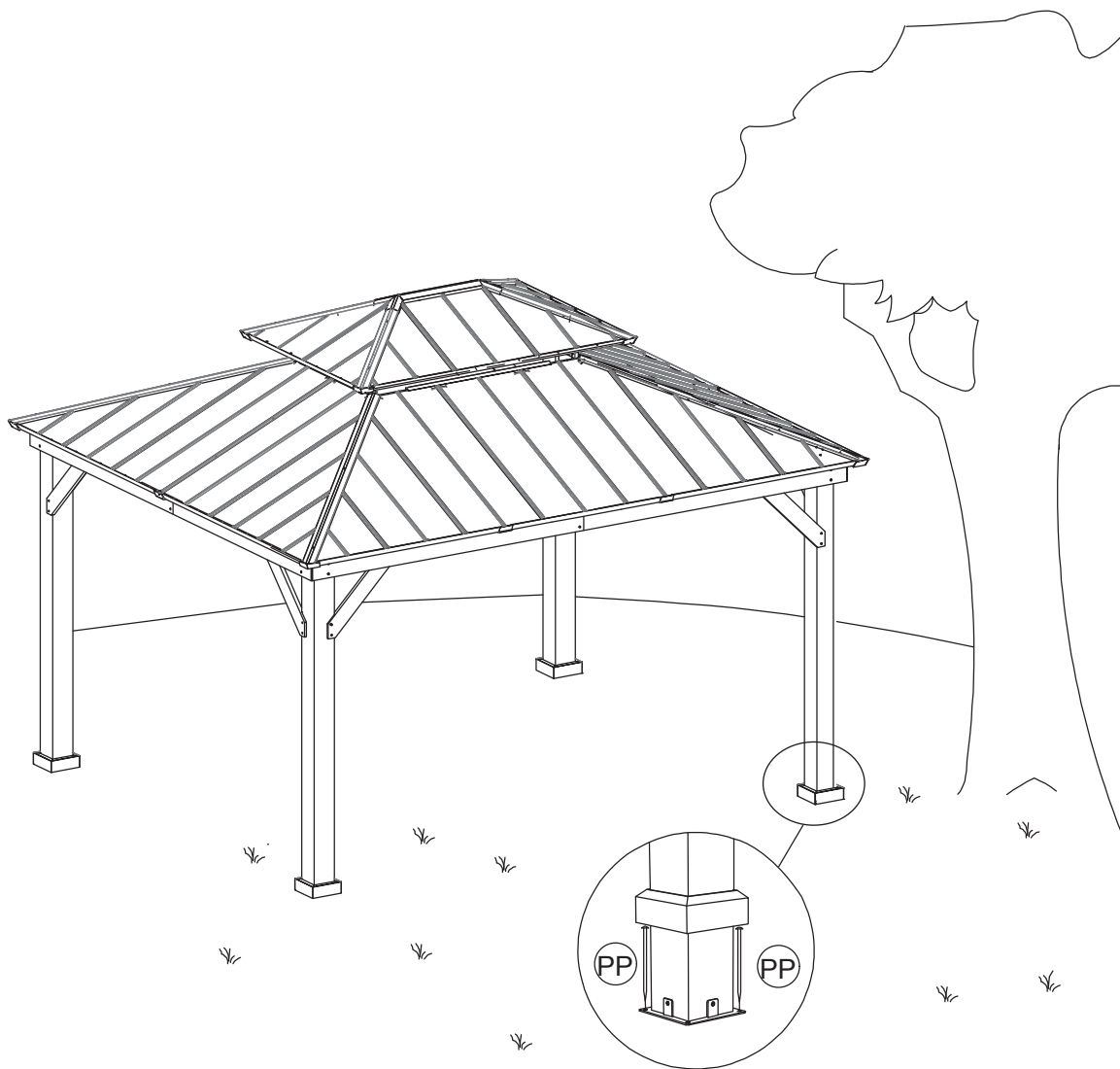
(FF) x44



M6 x40

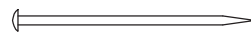
(QQ) x8

<23>



Tips: if you want to fix the gazebo on the concrete or wood floor, please purchase the suitable anchor from your local store.

23



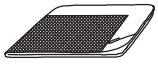
Ø8x180

PP x8

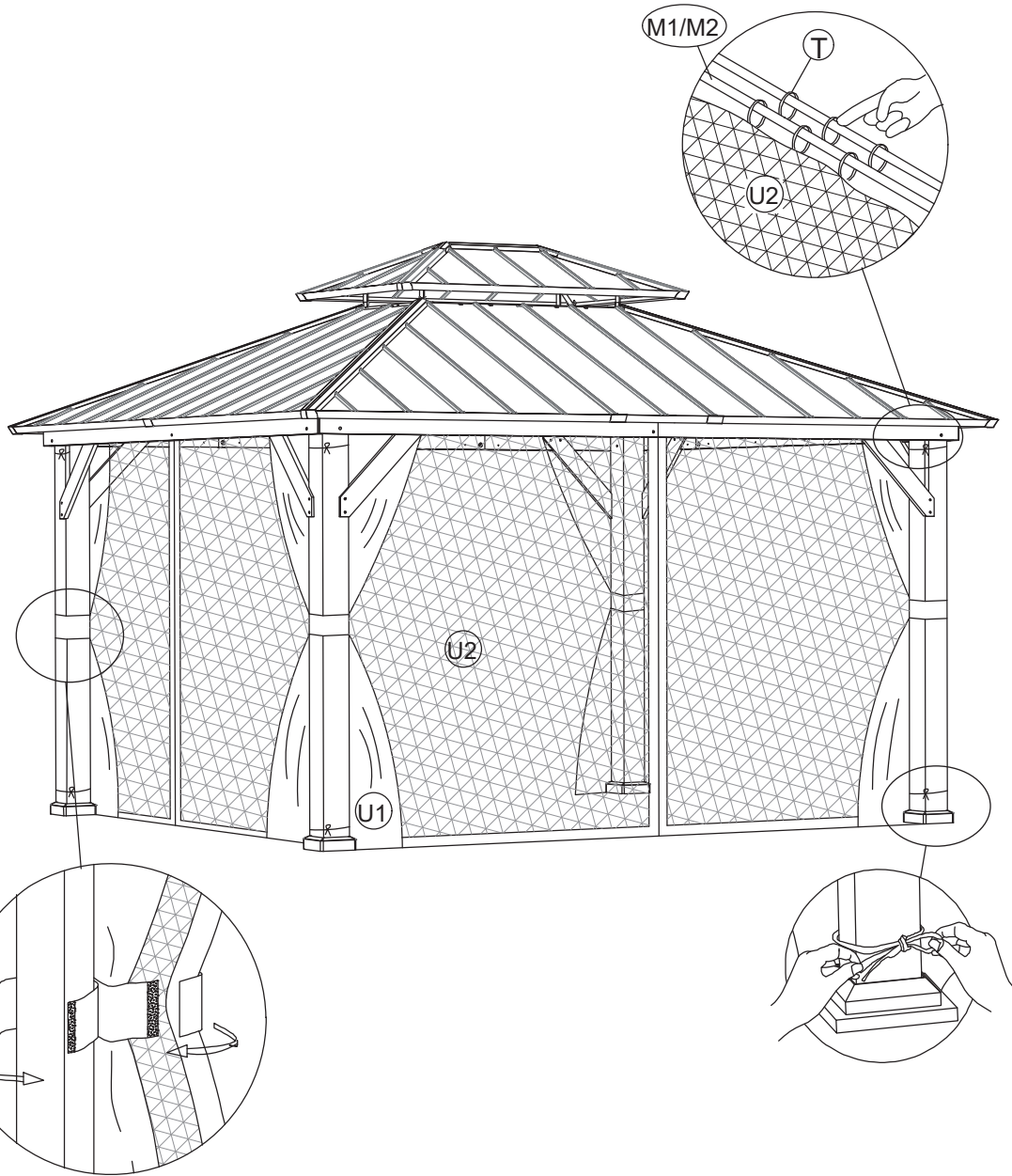
<24>



U1 x1



U2 x1



24



T x88