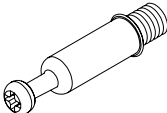

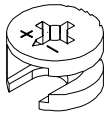
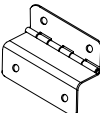
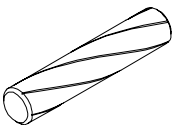
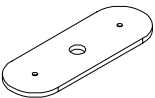
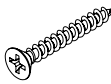
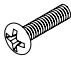
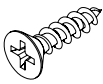
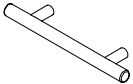
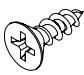
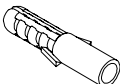
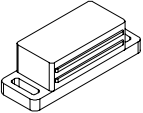
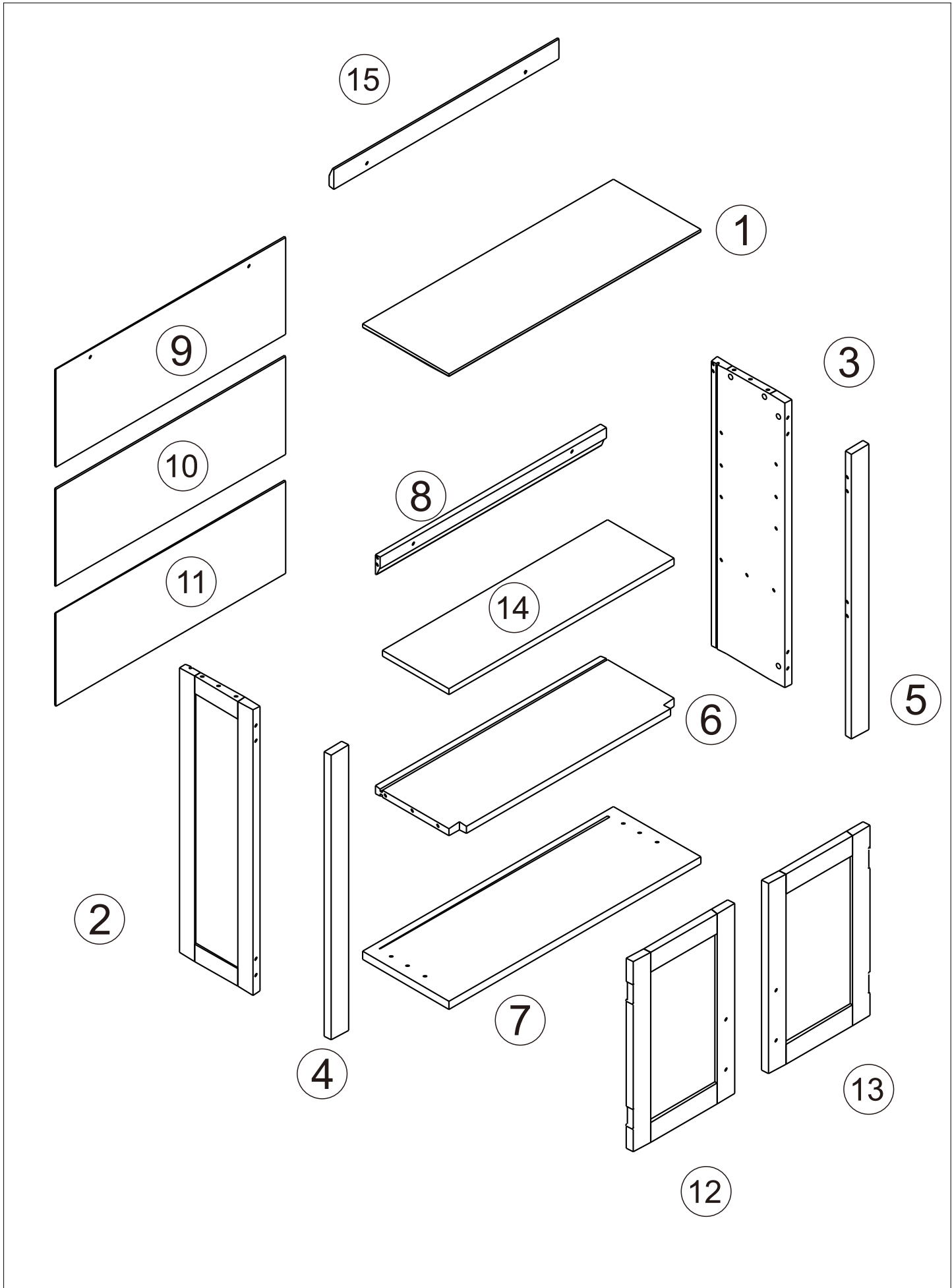





USER'S MANUAL

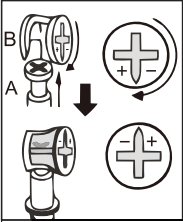
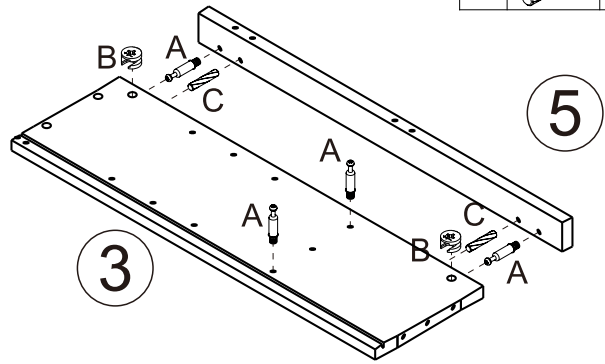
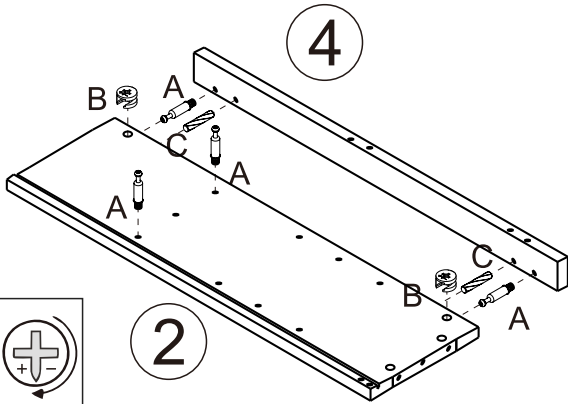
Hardware List

A		12 pcs	H		4 pcs
B		12 pcs	I		4 pcs
C		14 pcs	J		2 pcs
D		8 pcs	K		2 pcs
E		2 pcs	L		2 pcs
F		18 pcs	M		4 pcs
G		1 pc			





Step 1

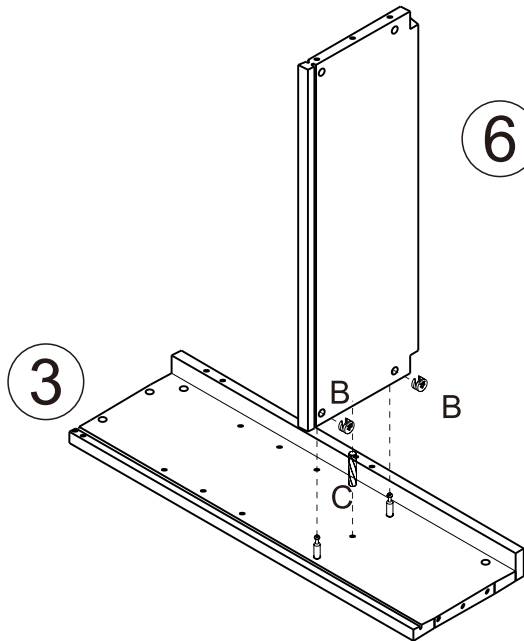
A		8 pcs
B		4 pcs
C		4 pcs



Fix hardware A and C to Part 4 and 5, and fix hardware A to Part 2 and 3.
Connect Part 4 to Part 2 with screw B, and connect Part 5 to Part 3 with screw B.

Step 2

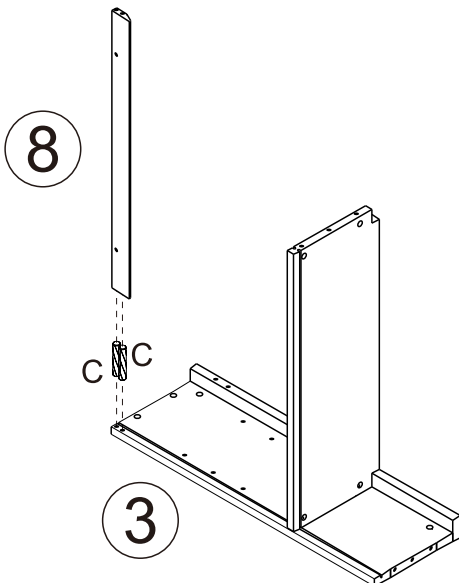
B		2 pcs
C		1 pc



Fix hardware C to Part 3,
and connect Part 6 to Part 3
with screw B.

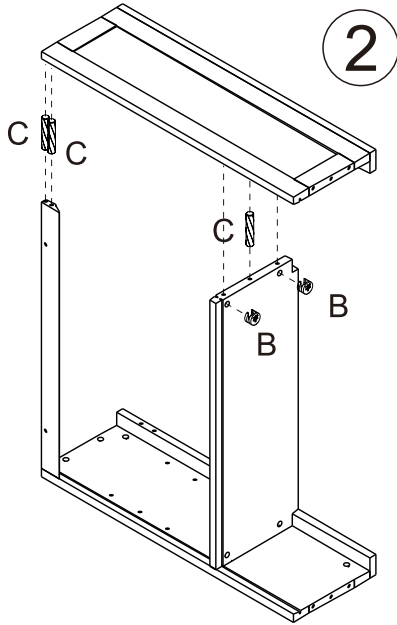
Step 3



C		2 pcs
---	---	-------



Connect Part 8 to Part 3 with hardware C.

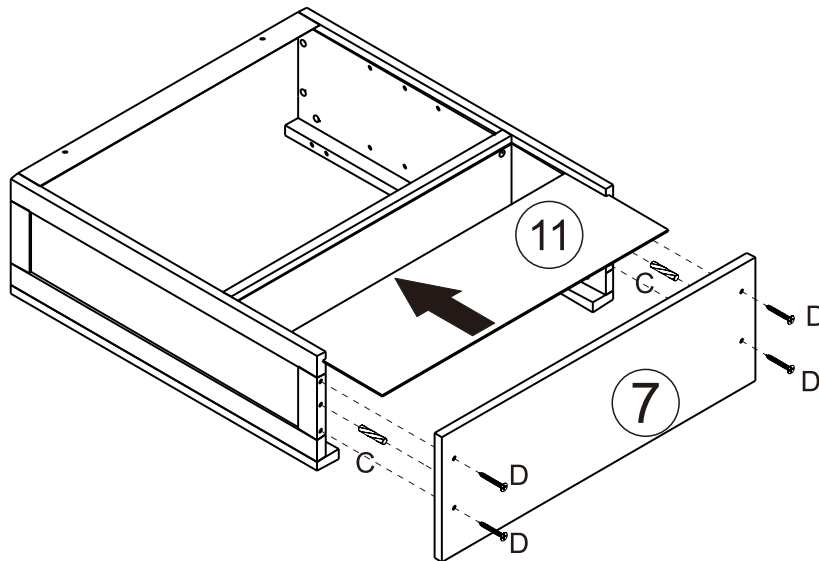
Step 4





B		2 pcs
C		3 pcs

Fix hardware C to Part 6 and 8, and then connect Part 2 to Part 6 and 8 with screw B.

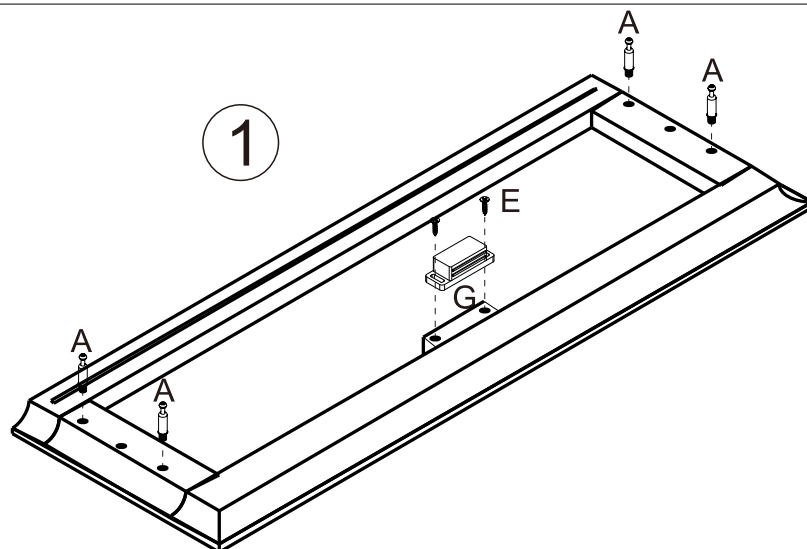
Step 5






C		2 pcs
D		4 pcs

Put Part 11 to the groove of Part 2, 3 and 6, and then fix Part 7 to Part 2 and 3 with hardware C and D.

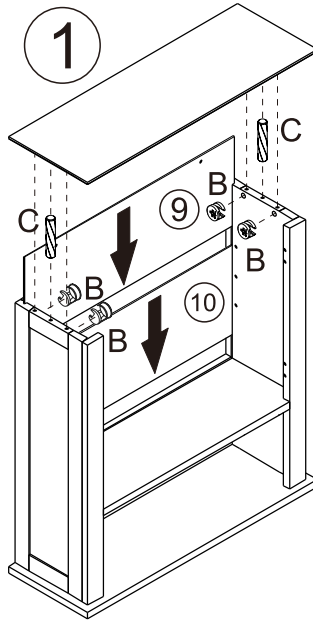
Step 6



A		4 pcs
E		2 pcs
G		1 pc

Fix hardware A to Part 1, and fix hardware G to Part 1 with screw E.

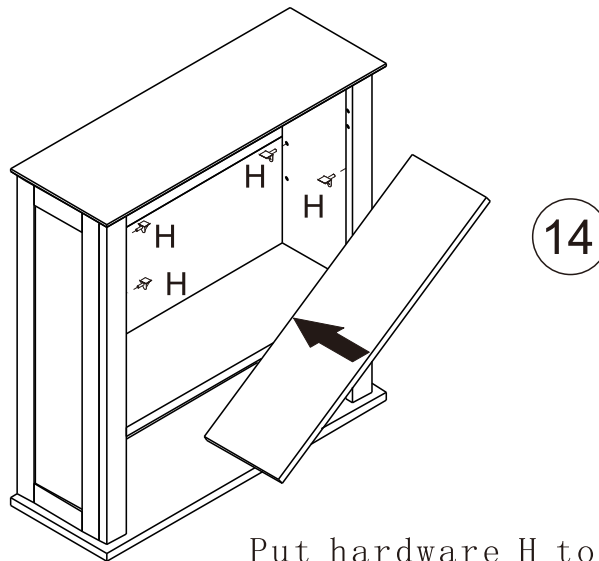
Step 7



B		4 pcs
C		2 pcs

Fix Part 1 to Part 2 and 3 with hardware C and B.

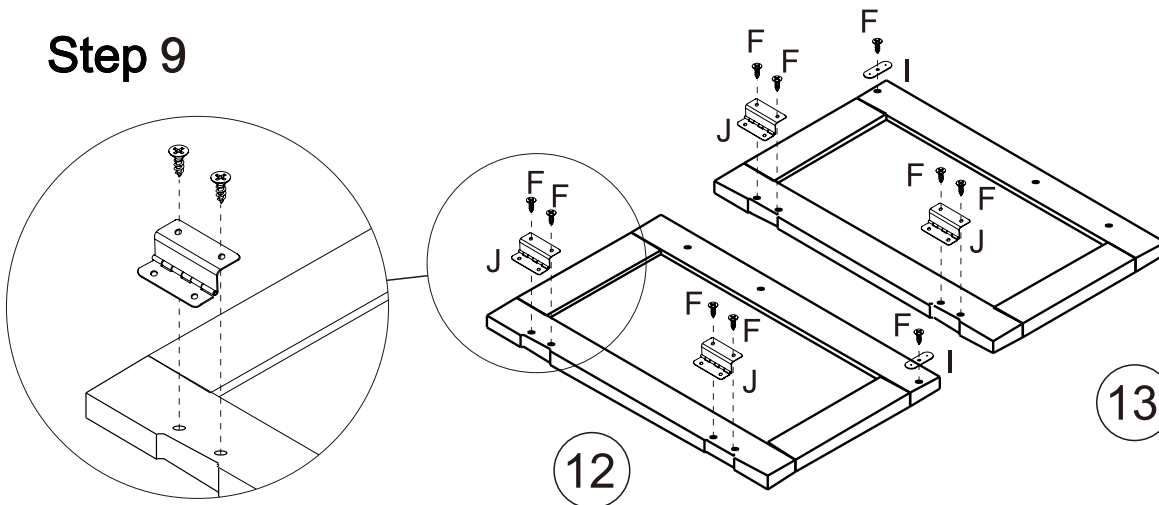
Step 8



H		4 pcs
---	--	-------

Put hardware H to the screw hole, and then put Part 14 to the frame.

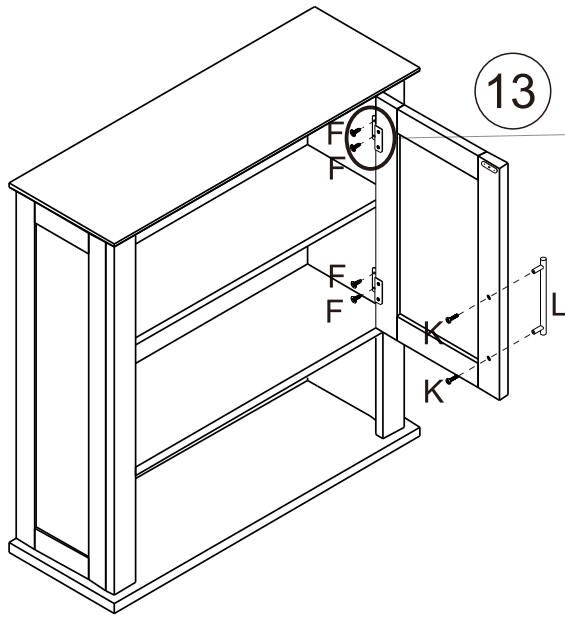
Step 9

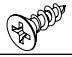


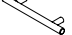


J		4 pcs
F		10 pcs
I		2 pcs

Fix hardware J and I to Part 12 and 13 with screw F.

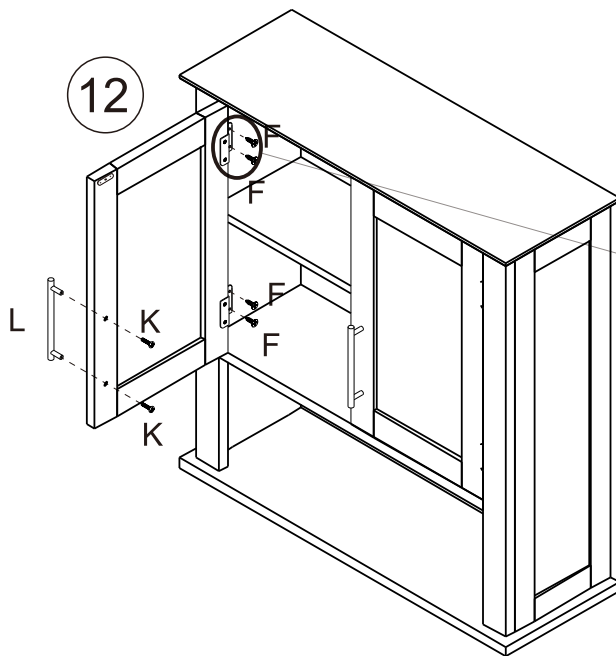
Step 10



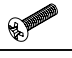



F		4 pcs
J		1 pc
K		2 pcs
L		1 pc

Fix Part 13 to Part 3 with screw F, and fix hardware L to Part 13 with screw K.



Step 11

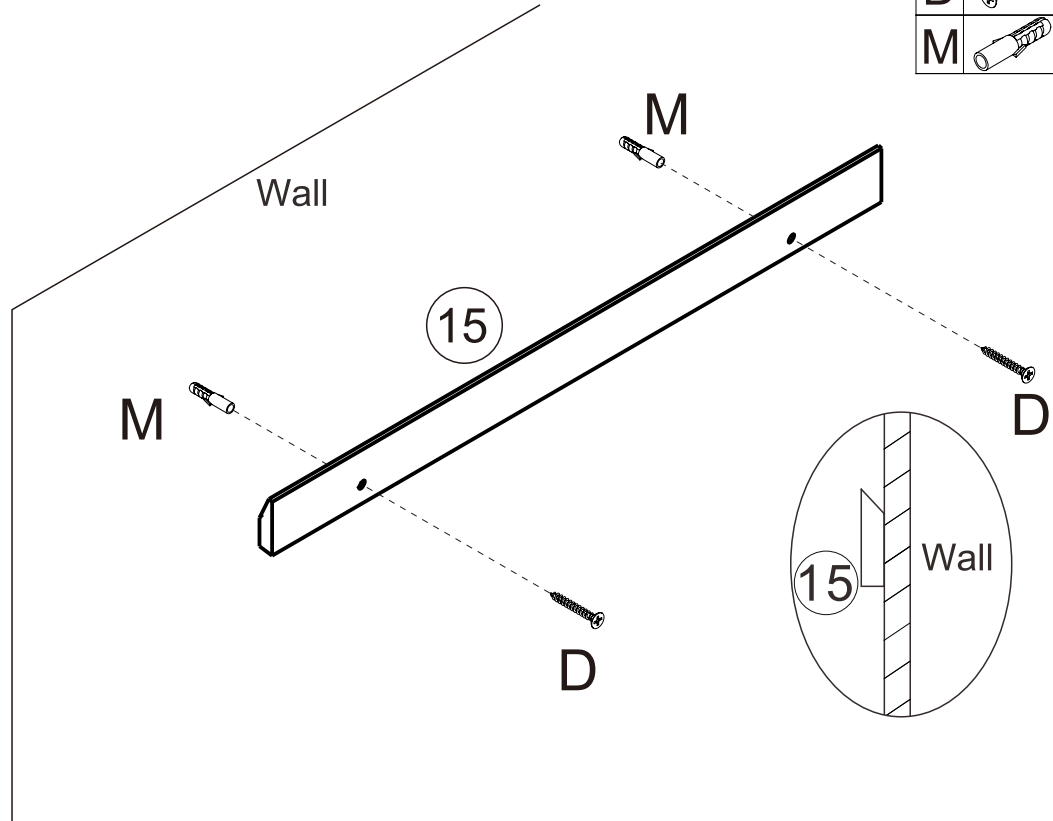


F		4 pcs
J		1 pc
K		2 pcs
L		1 pc

Fix Part 12 to Part 2 with screw F, and fix hardware L to Part 12 with screw K.



Step 12

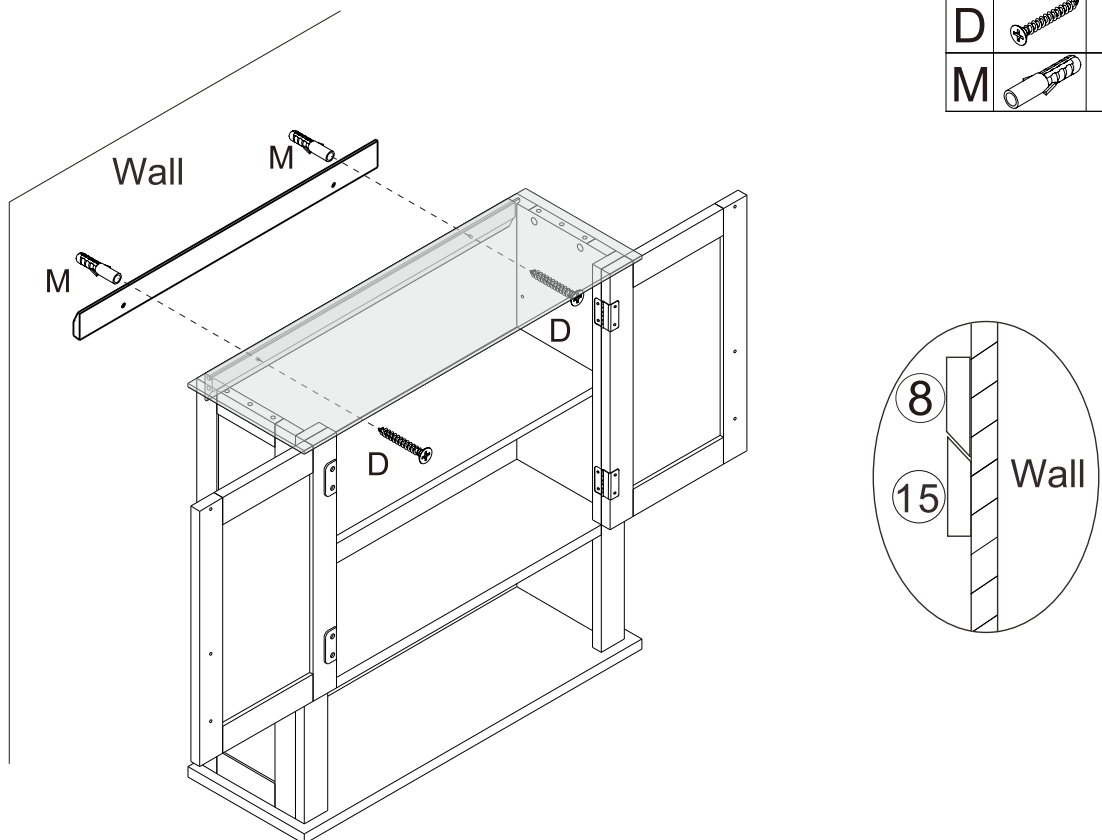
D		2 pcs
M		2 pcs



Fix hardware M to the wall, and the fix Part 15 to M with screw D.

Step 13

D		2 pcs
M		2 pcs



Fix hardware M to the wall (above Part 15), then hang the cabinet to Part 15 and fix the cabinet to M with screw D.