







# ASSEMBLY INSTRUCTION

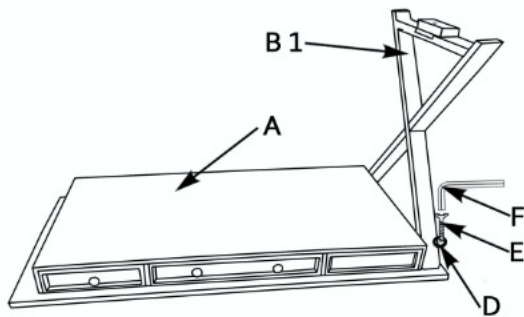
## PARTS

S.NO.	DESCRIPTION	QNT
A	 WOODEN TOP	1
B	 LEG B1/B2	2
C	 LEG SUPPORT	1

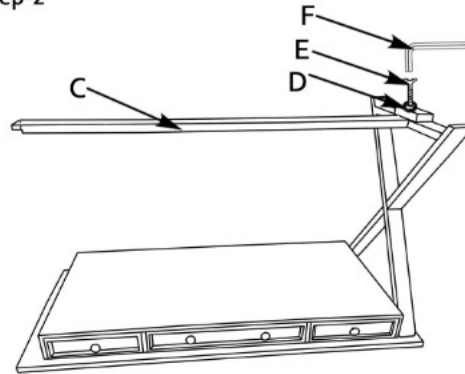
## HARDWARE

S.NO.	DESCRIPTION	QNT
D	 WASHER	8
E	 ALLEN SCREW	8
F	 ALLEN KEY	1

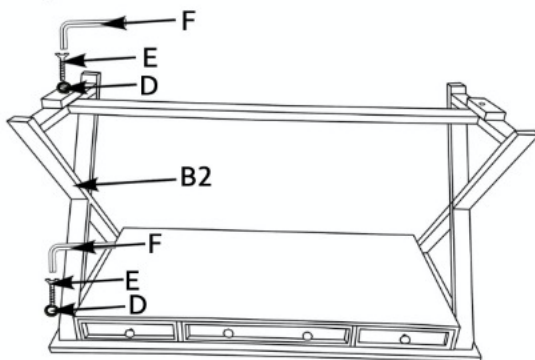
Step-1



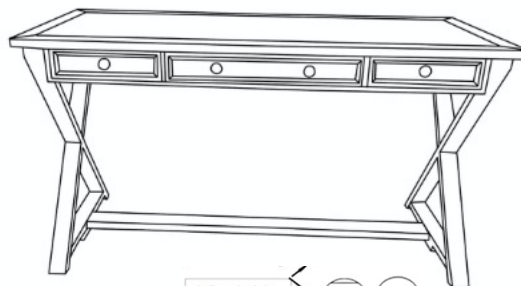
Step-2



Step-3



COMPLETED



**MADE IN INDIA**