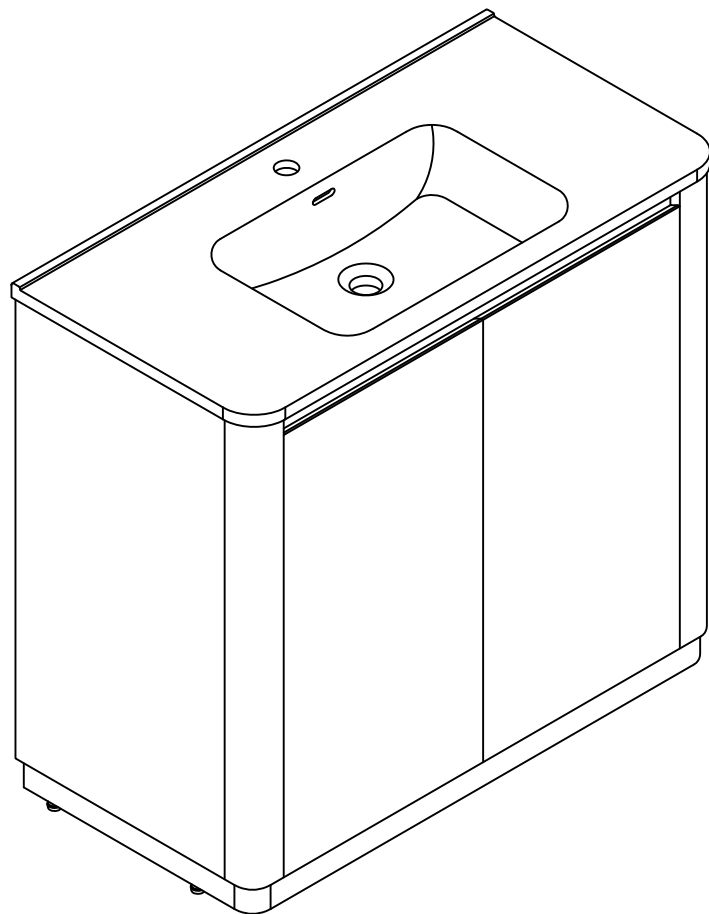


# INSTALLATION MANUAL

**MAIN CABINET**  
**VMC2088AO30**  
**VMC2088AO36**



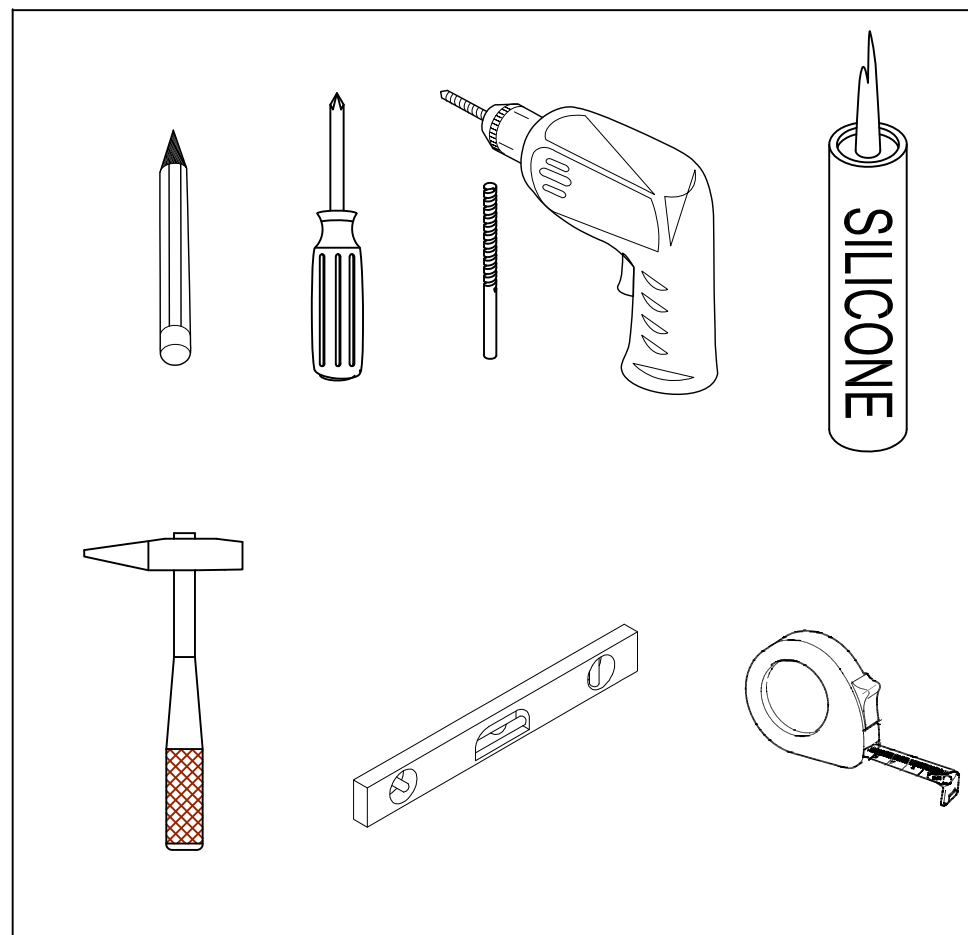
**NOTE:** The sink is packed separately.

**MORVANO®**

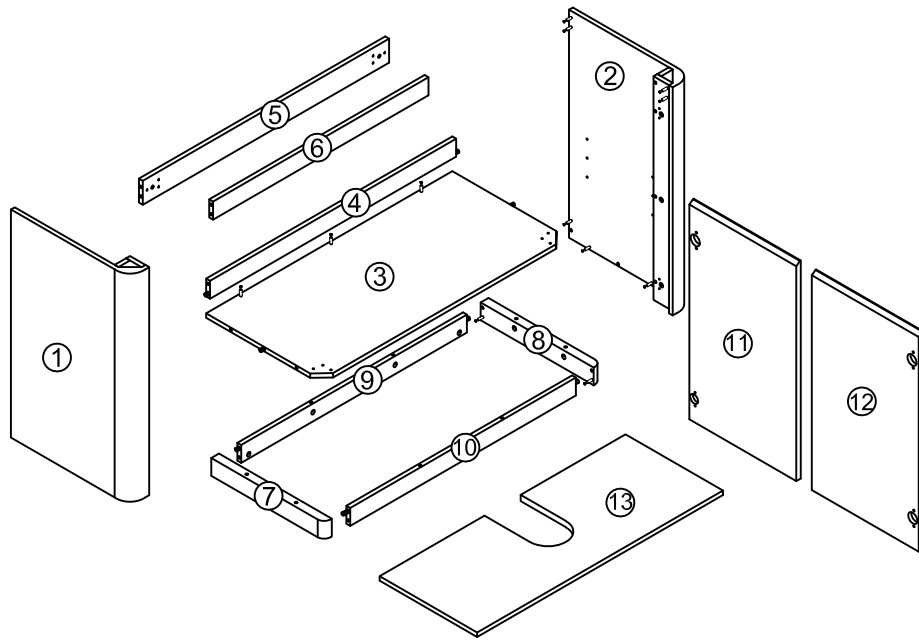
## **WARNING**

Serious or fatal crushing injuries can occur from furniture tip over. To prevent tip over this furniture must be used with the wall attachment device(s) provided. This cabinet must be mounted to a solid structural wall(e.g., concrete, wood stud, or solid tile backing). **Do not install on hollow drywall or unsupported tile surfaces.**

## Recommended Tools

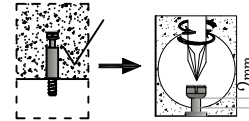


# Assembly Parts Overview



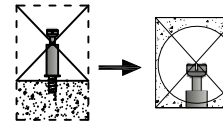
# Cam Lock Assembly Instructions

Diagram A

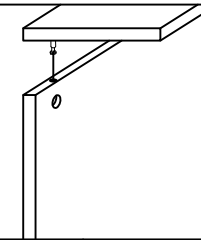


Insert Cam Bolt into hole as shown in diagram A.

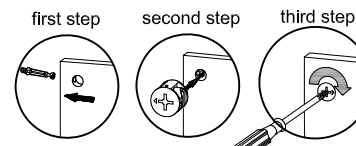
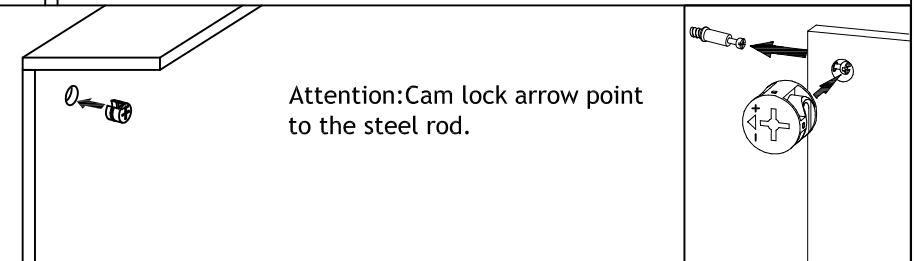
Diagram B



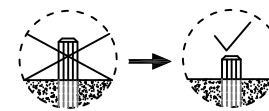
Also avoid inserting the Cam Bolt too close to the surface of the hole as shown in figure B, as this will cause the Cam Lock to be too loose, and not interlock properly.





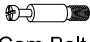


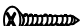









Connect the panels together.



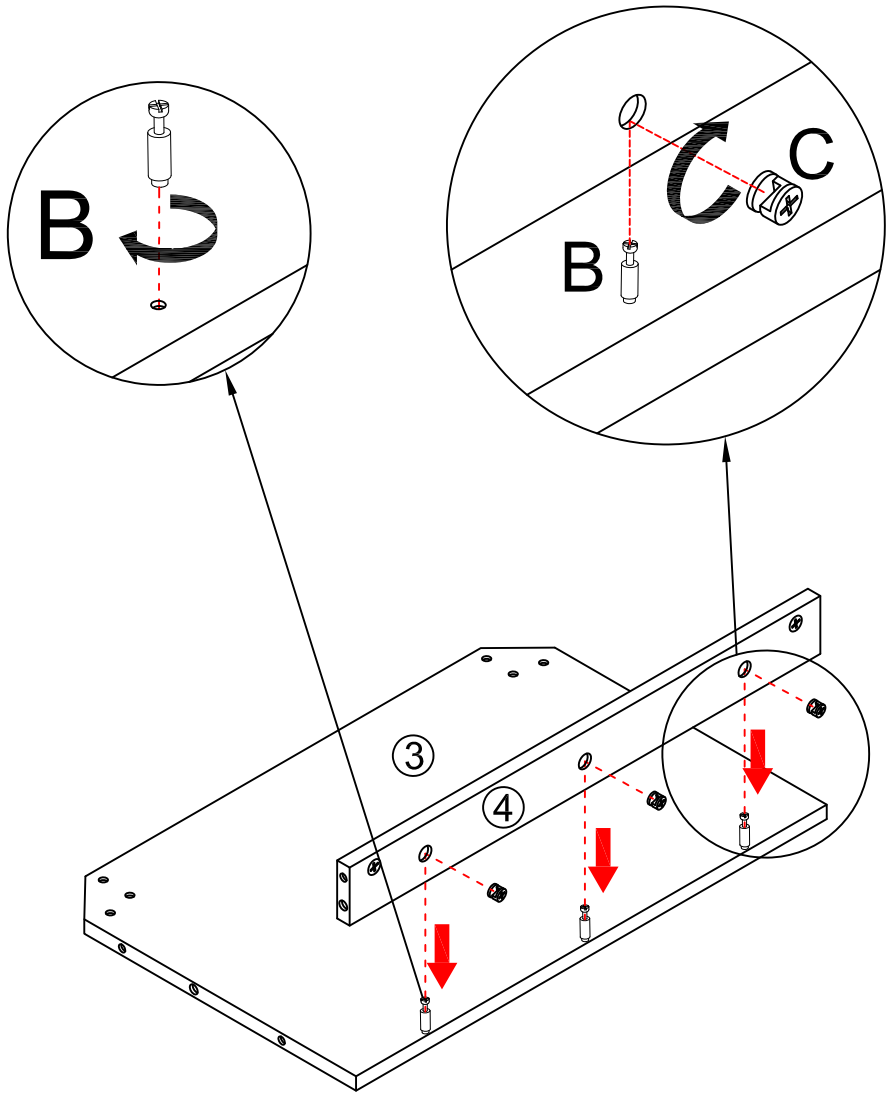
To tighten the Cam Lock, turn it clockwise on half a turn with a flat screwdriver. Do not use an automatic screwdriver as it may bend or break if too much power is imposed.



Installation of wooden dowels as shown in the diagram.

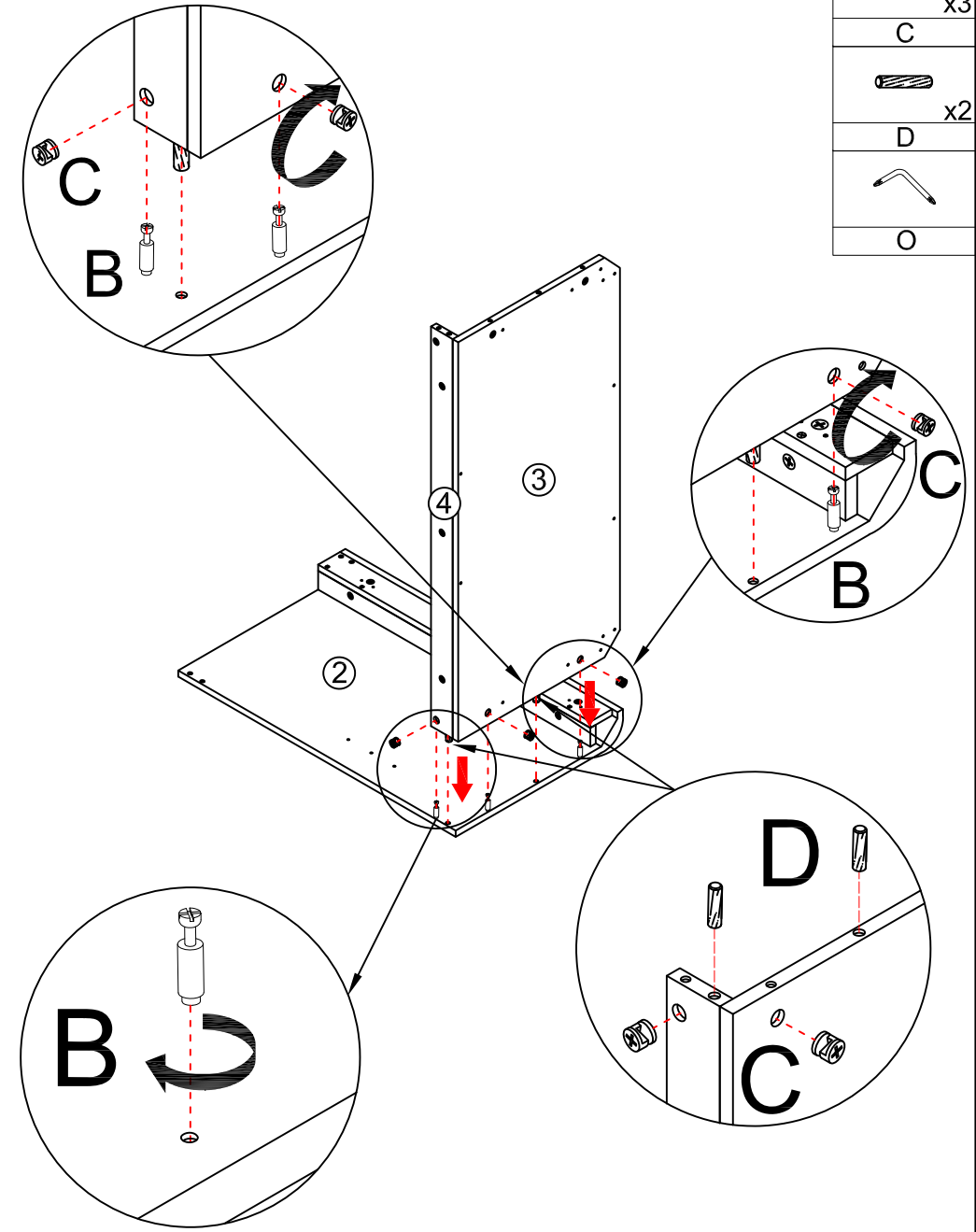
NO.	Part Name	QTY	NO.	Part Name	QTY
A	 Screw Ø4 x 14 mm	44	I	 Bracket 19x19x35mm	2
B	 Cam Bolt	29	J	 Concealed Hinge	4
C	 Cam Lock	29	K	 Screw Ø4 x 25 mm	6
D	 Wooden Dowel	8	L	 Adjustable feet	4
E	 Wall Anchor Ø10mm	2	M	 Shelf Peg	4
F	 Wall Mounting Screw	2	N	 Door Bumper Pad	4
G	 Screw Cap Cover	2	O	 Screwdriver	1
H	 Bracket 53x70x44mm	2			

# Step 1



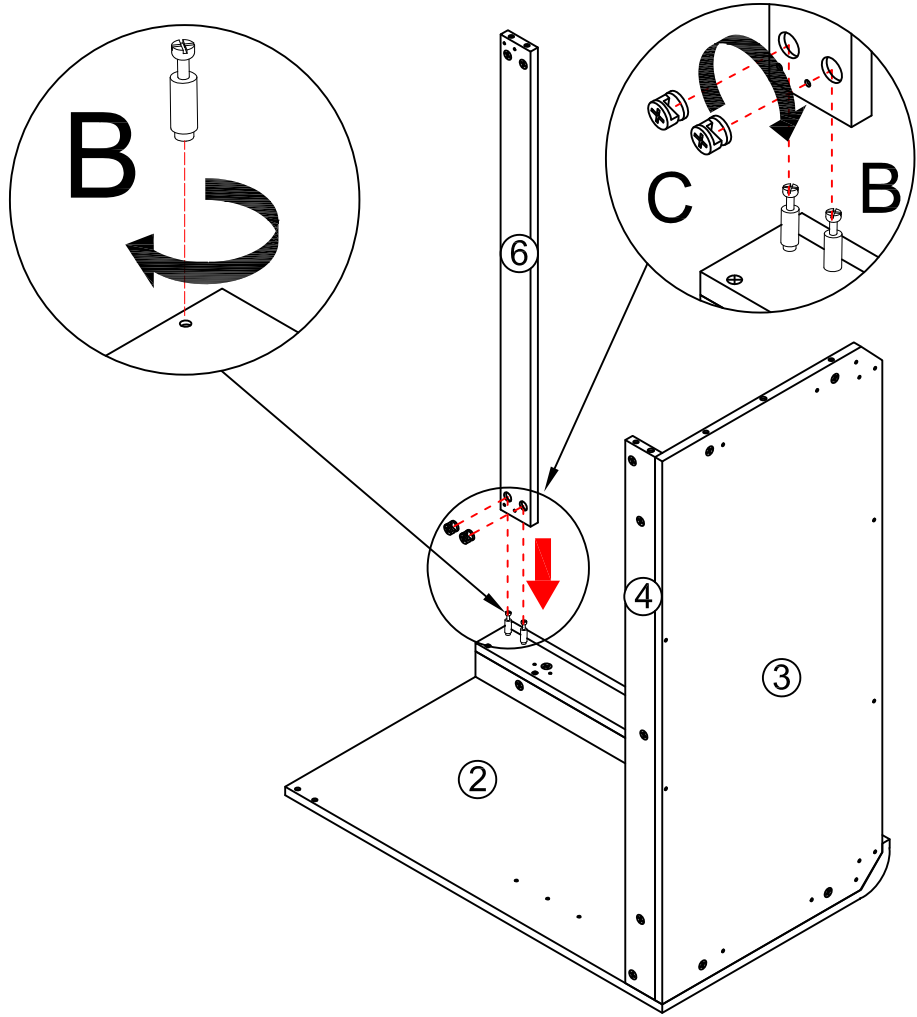
- x3
- B
- x3
- C
- 
- O

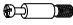


# Step 2



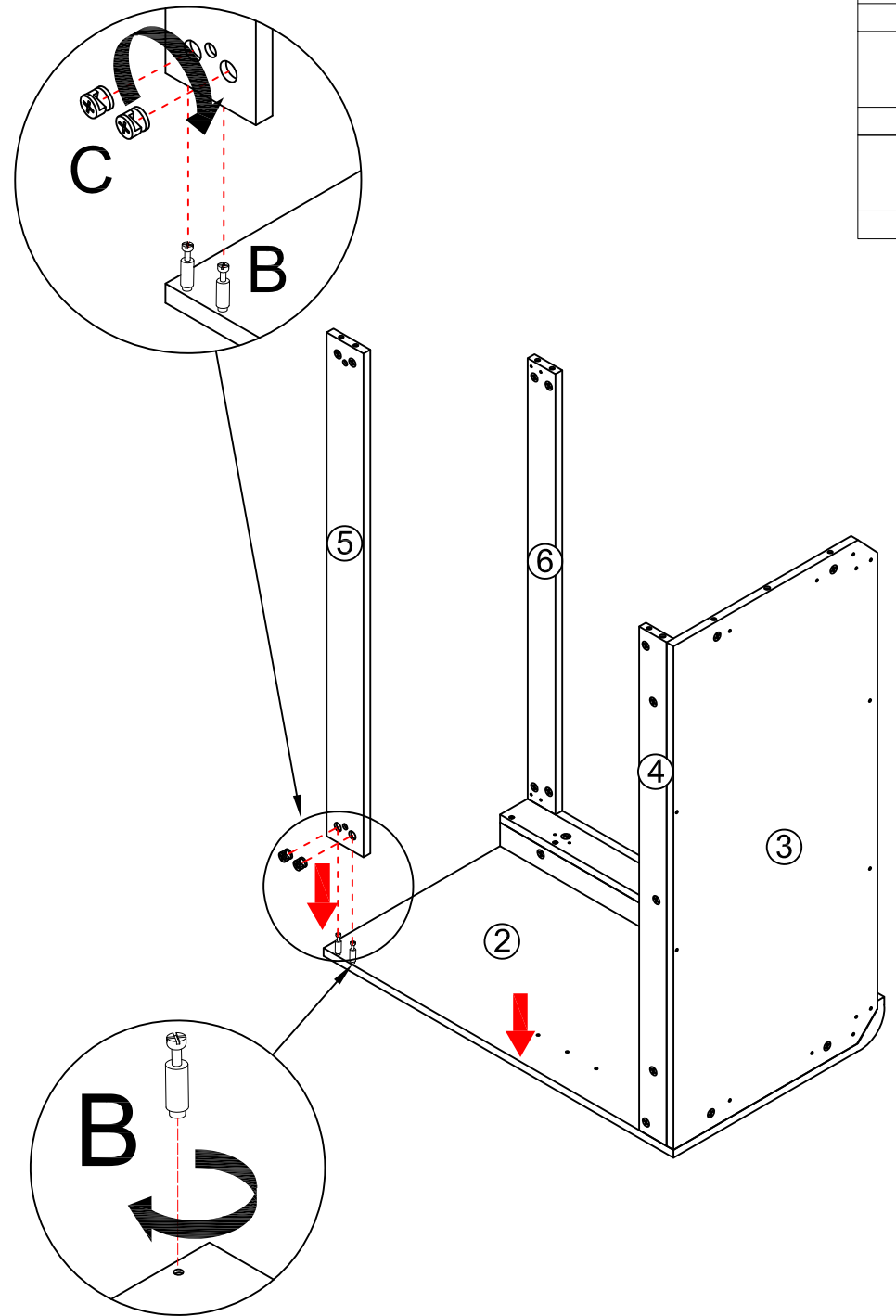
- x3
- B
- x3
- C
- x2
- D
- 
- O

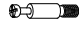


### Step 3



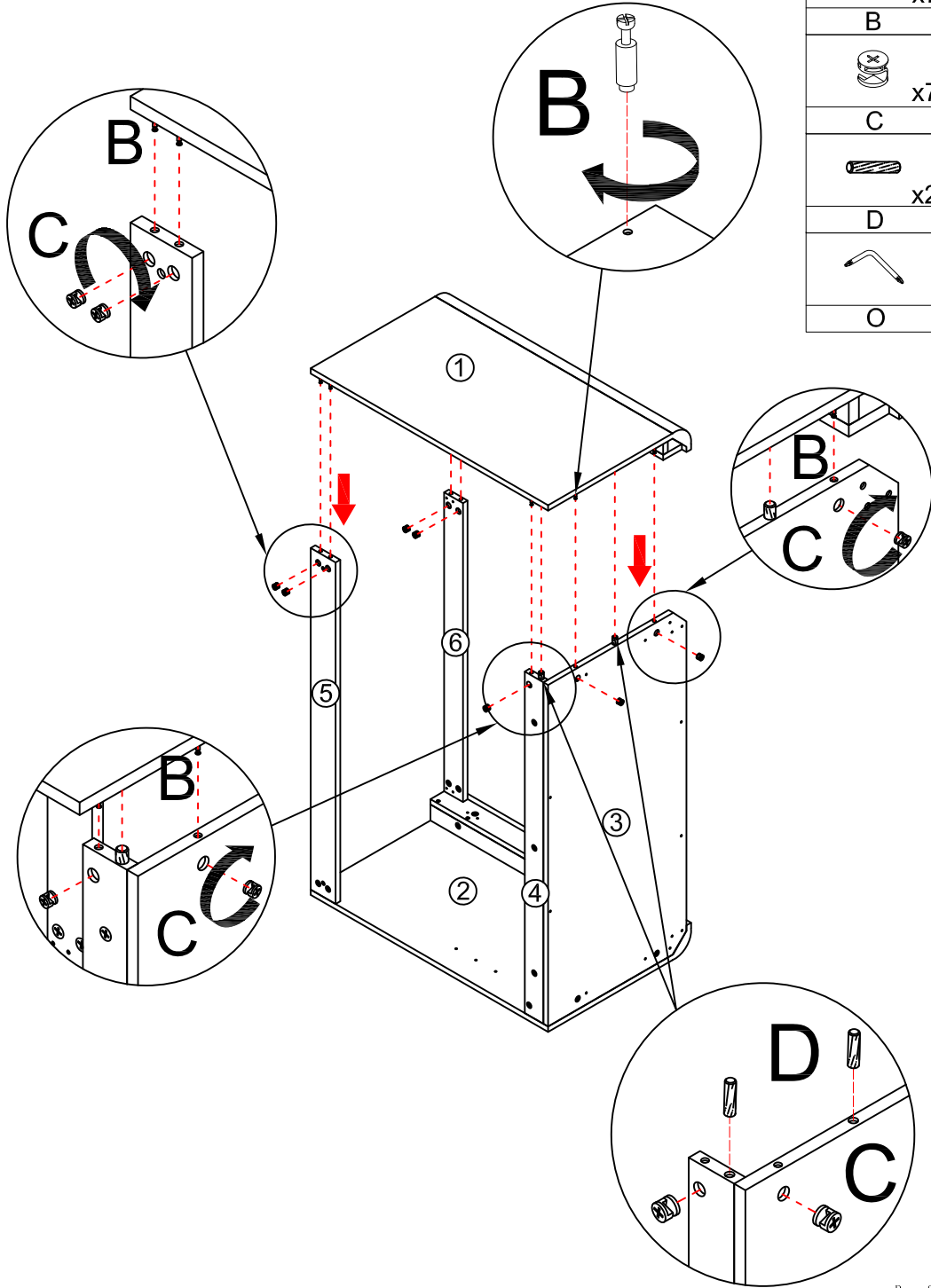
-  x2
- B**
-  x2
- C**
- 
- O**

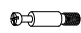



### Step 4



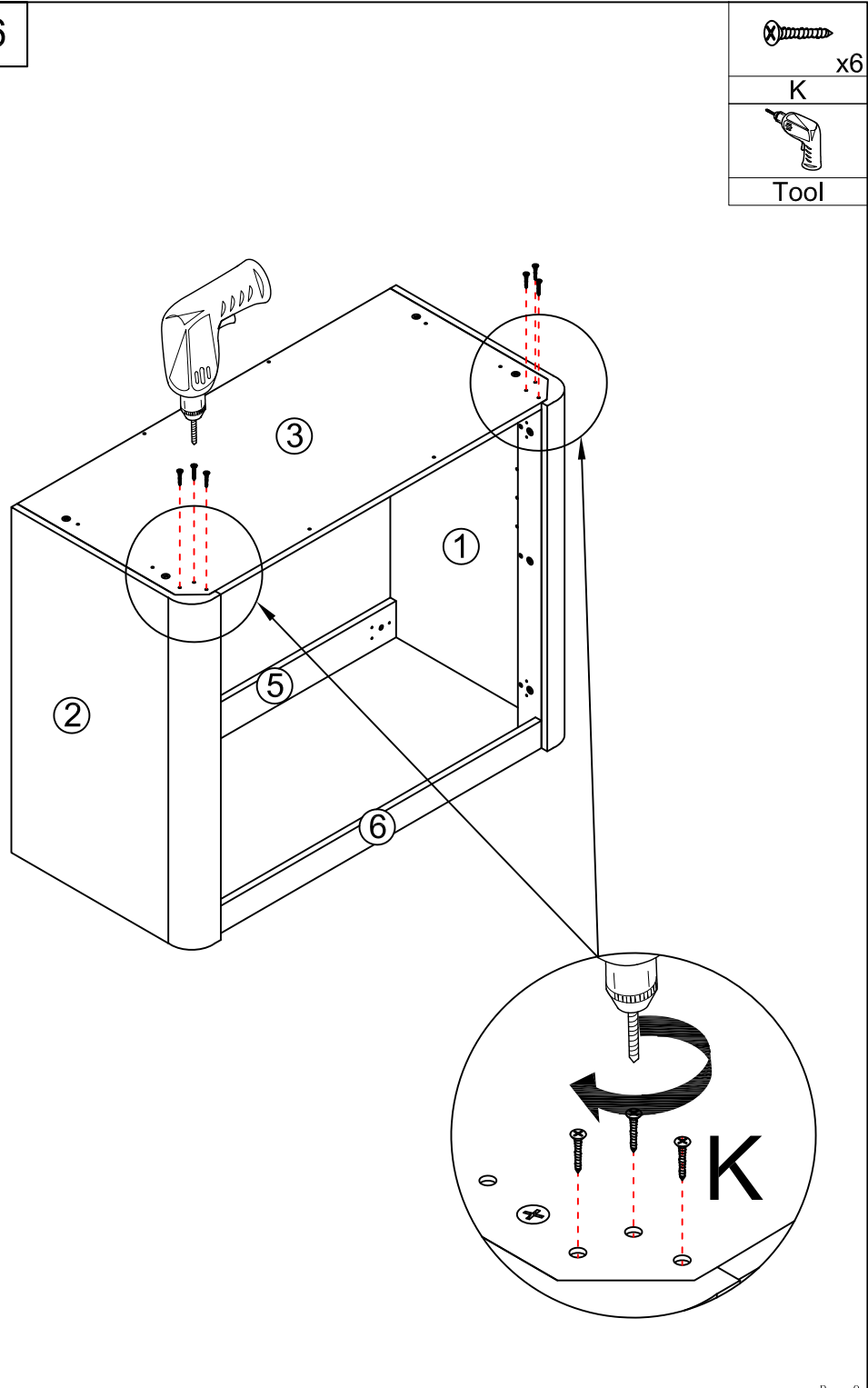
-  x2
- B**
-  x2
- C**
- 
- O**

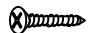

# Step 5







-  x7
- B**
-  x7
- C**
-  x2
- D**
- 
- O**

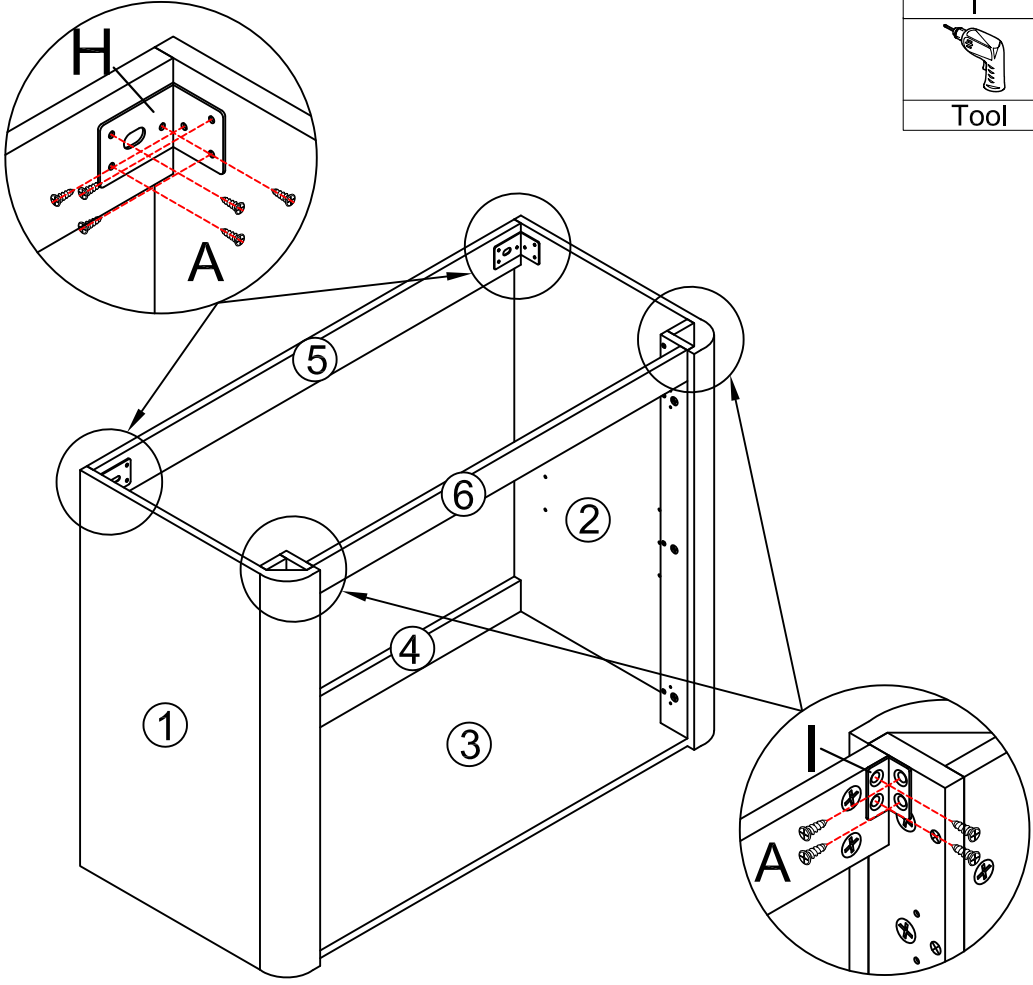
# Step 6



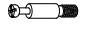

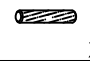

-  x6
- K**
- 
- Tool**

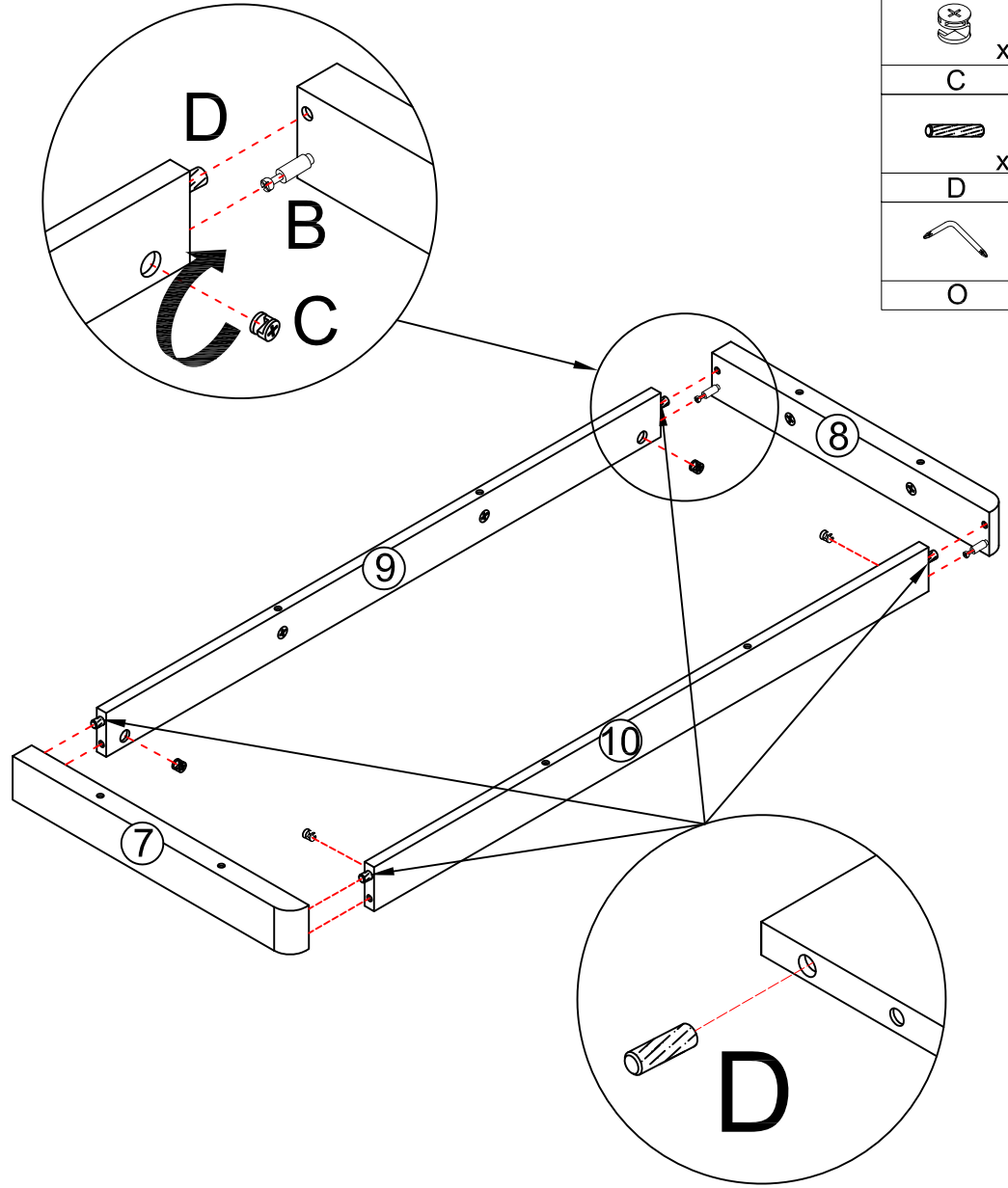
# Step 7

-  x20
- A
-  x2
- H
-  x2
- I
- 
- Tool

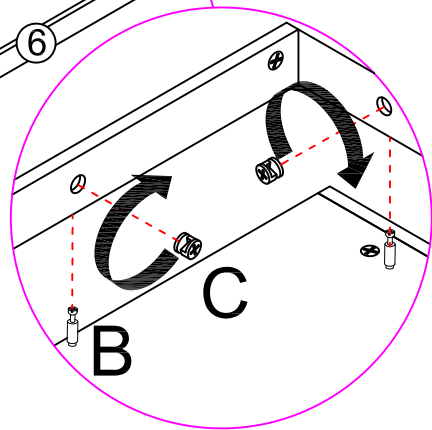
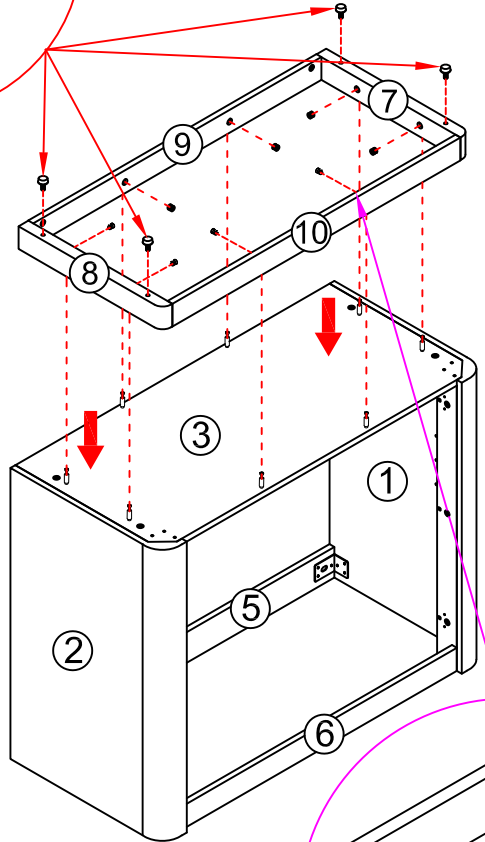
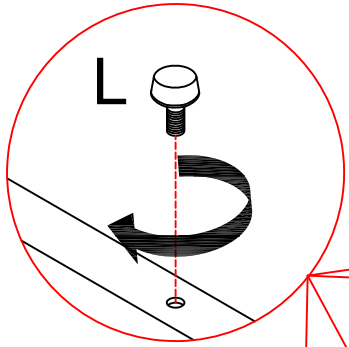


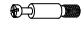



# Step 8

-  x4
- B
-  x4
- C
-  x4
- D
- 
- O

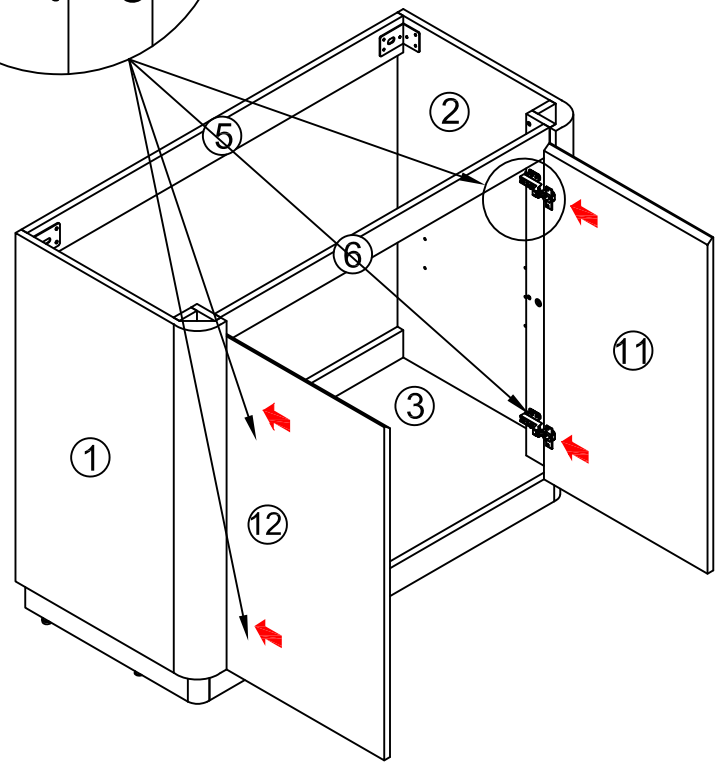
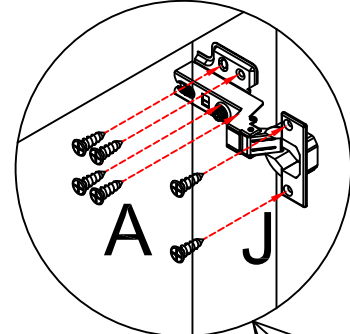





# Step 9



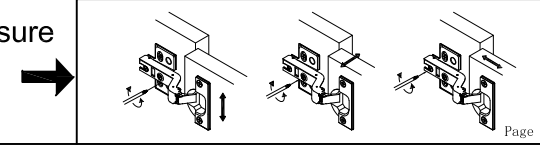
-  x8
- B**
-  x8
- C**
-  x4
- L**
- 
- O**

# Step 10

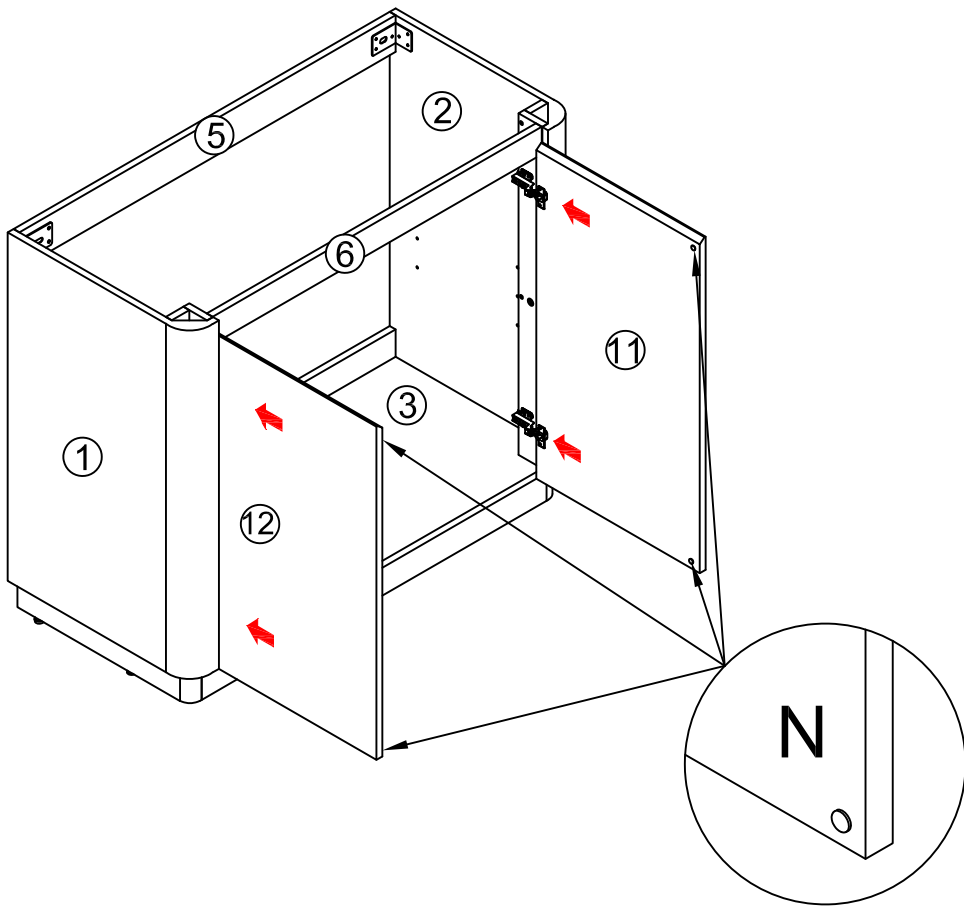
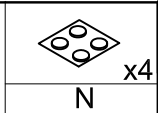


-  x24
- A**
-  x4
- J**
- 
- Tool**

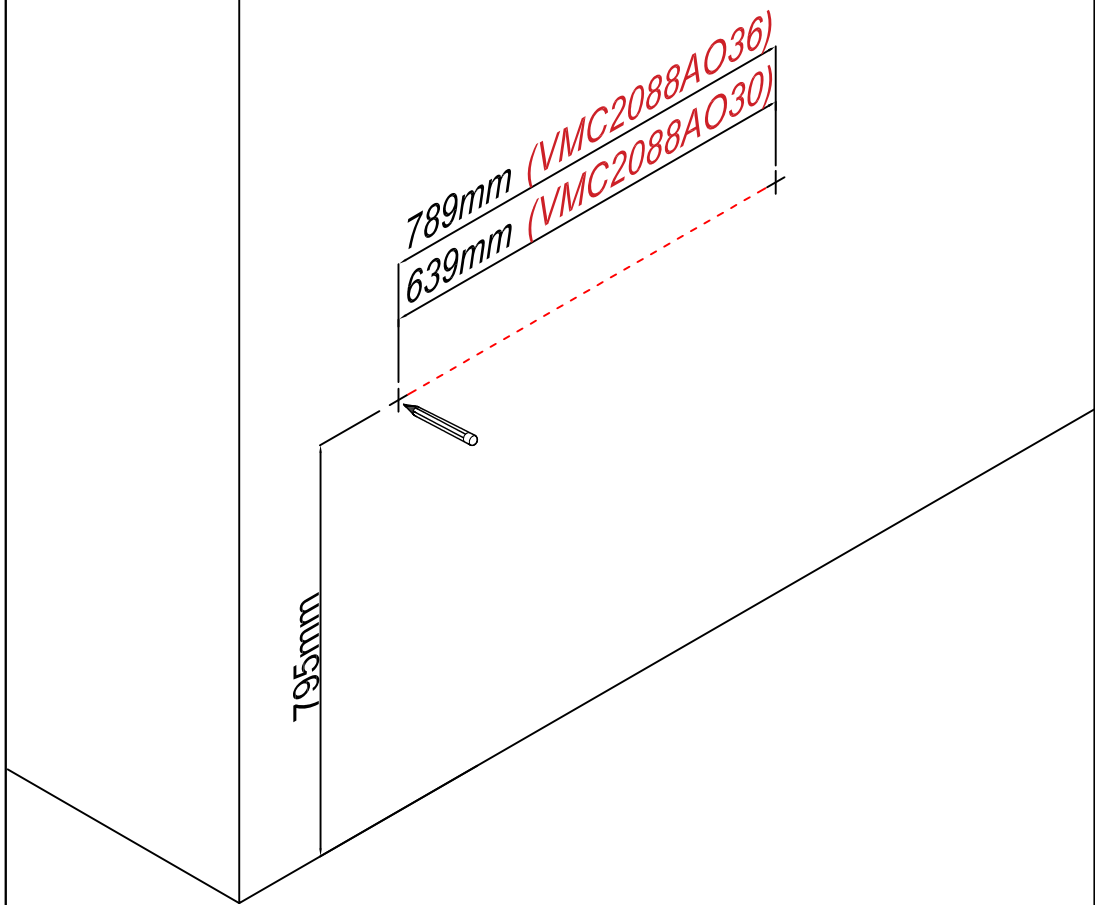
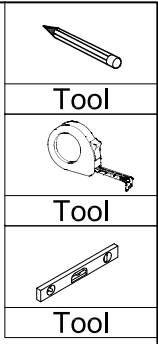
The door hinges are adjustable to ensure proper alignment. See page 22 for detailed instructions.



# Step 11

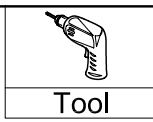


# Step 12

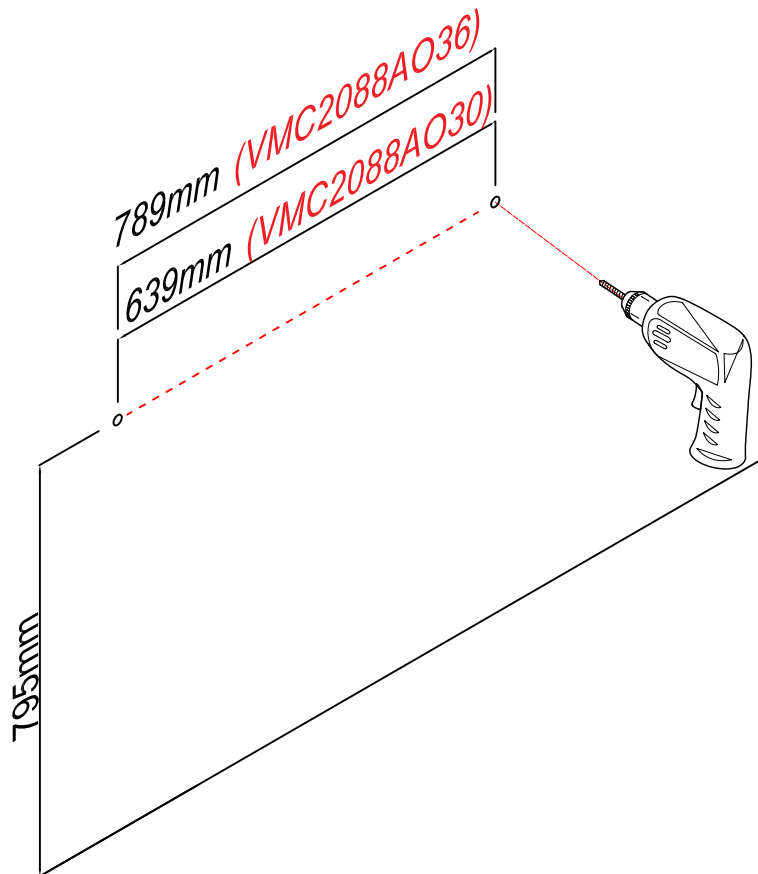


Use a level to mark two horizontally aligned holes at the indicated height and spacing. The hole spacing of the **VMC2088AO30** model is 639mm. The hole spacing of the **VMC2088AO36** model is 789mm.

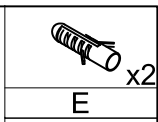
Step 13



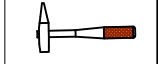
Tool



Step 14



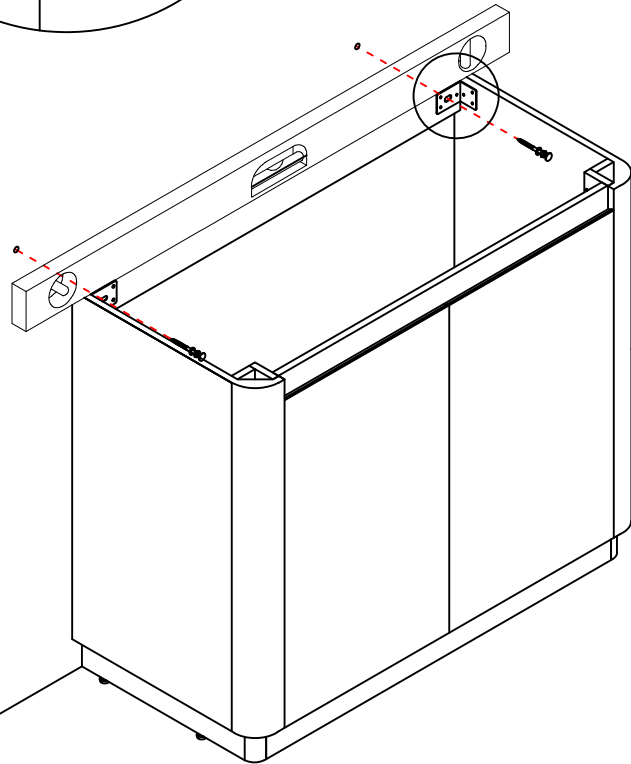
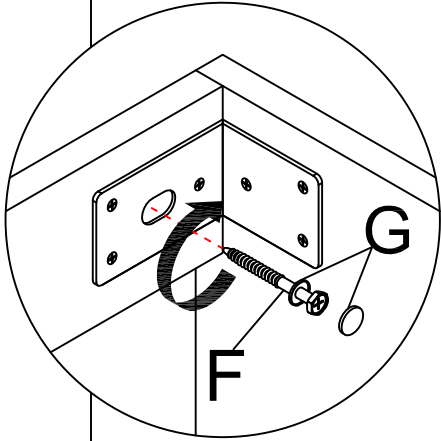
E



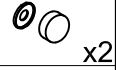
Tool



Step 15



F



G



Tool

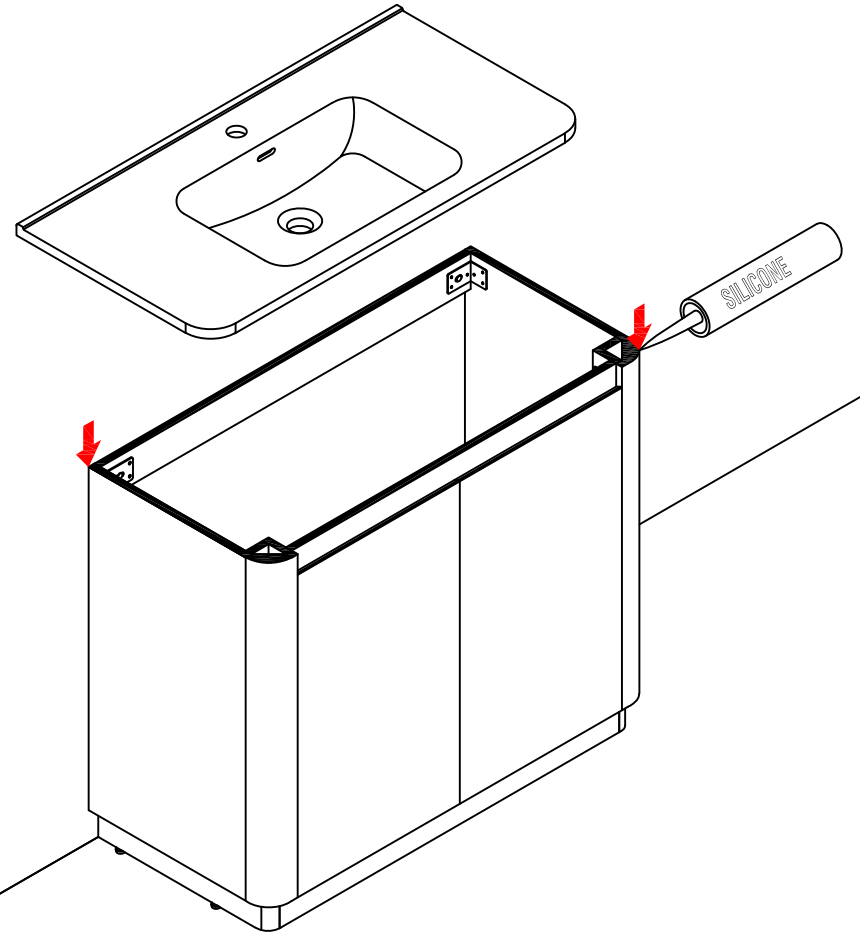


Tool

Step 16



Tool



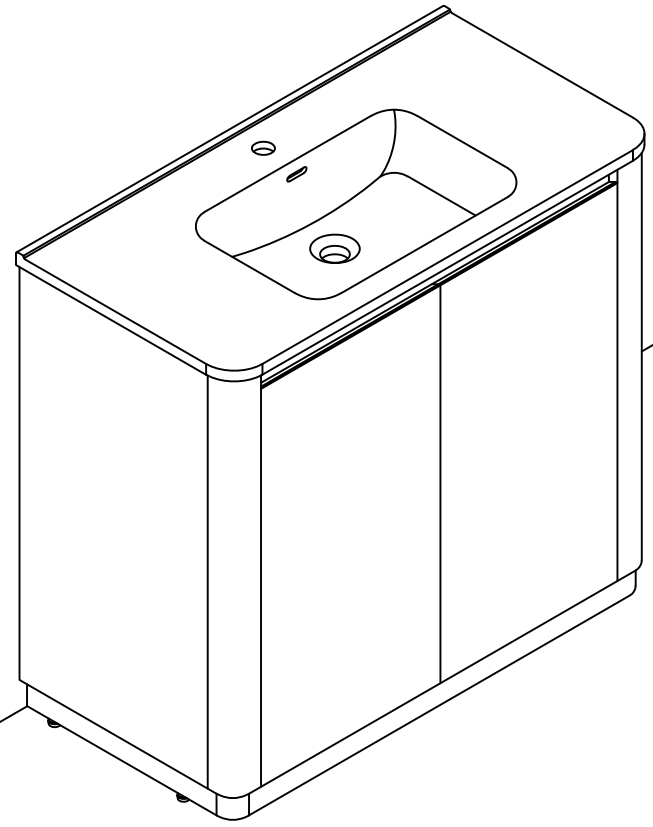
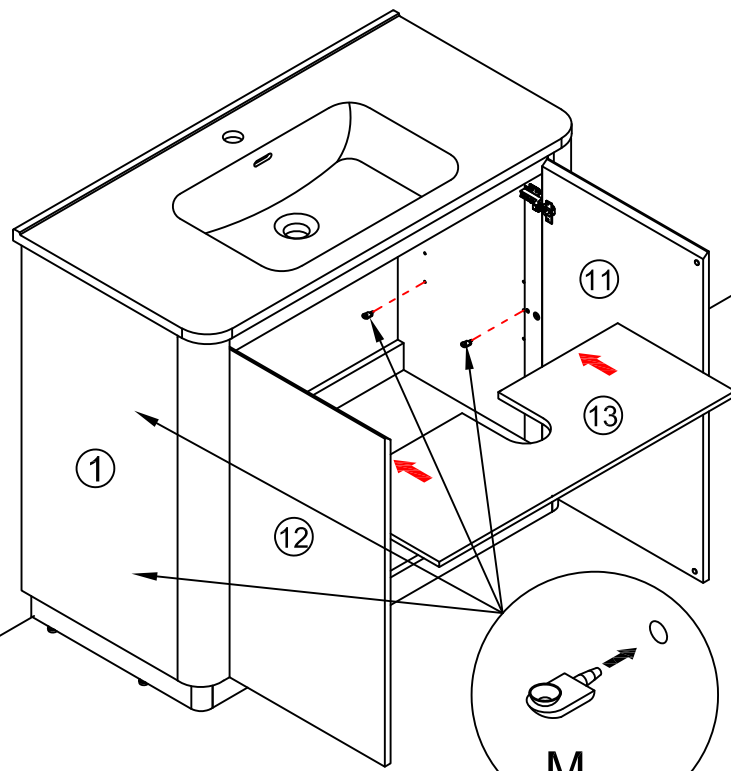
Step 17



x4

M

Finished

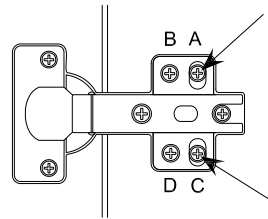
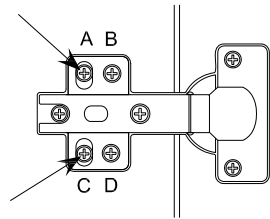
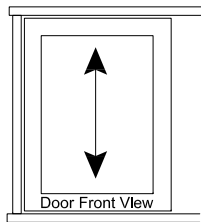


Notes:  
Select the shelf height based on your storage needs.

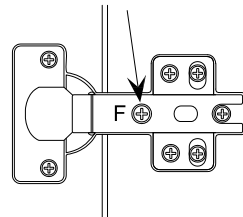
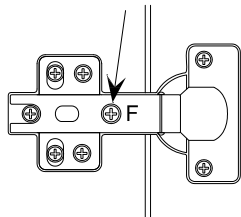
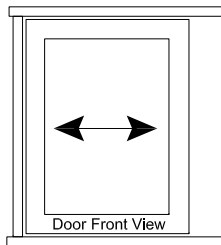
# ADJUSTING THE DOORS

- Up and down  
Remove screws (B&D) from the hinge.  
Turn screws (A&C) in or out to raise or lower the door.  
Reinstall screws (B&D) after adjustment.

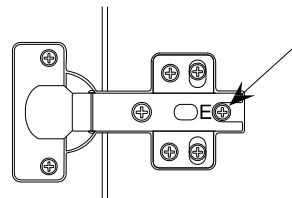
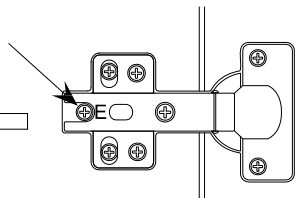
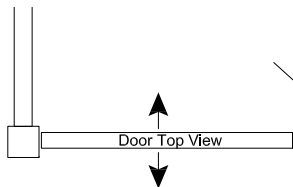
Left Door (Interior View) Right Door (Interior View)



- Left and right  
To adjust the door side-to-side, turn screw (F) in or out.



- In and out  
To adjust the door depth, turn screw (E) in or out.



# MORVANO<sup>®</sup>

Thank you for choosing Morvano.

Please do not hesitate to contact us if you have any questions or concerns.

Email: [mvn-service@outlook.com](mailto:mvn-service@outlook.com)