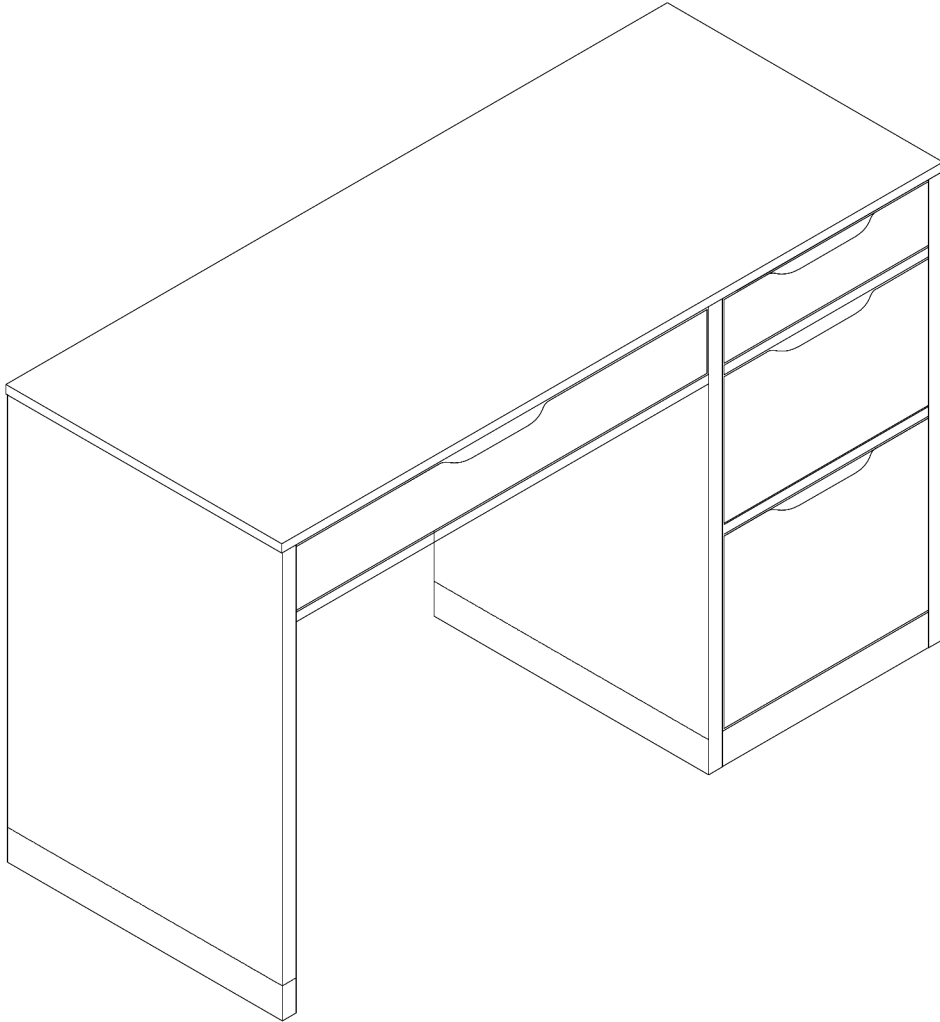
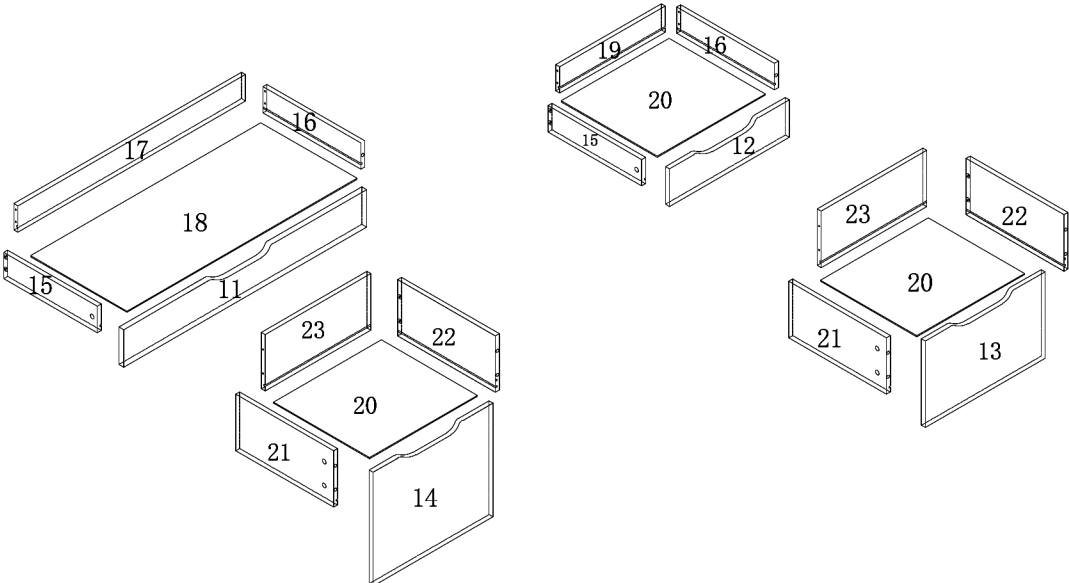
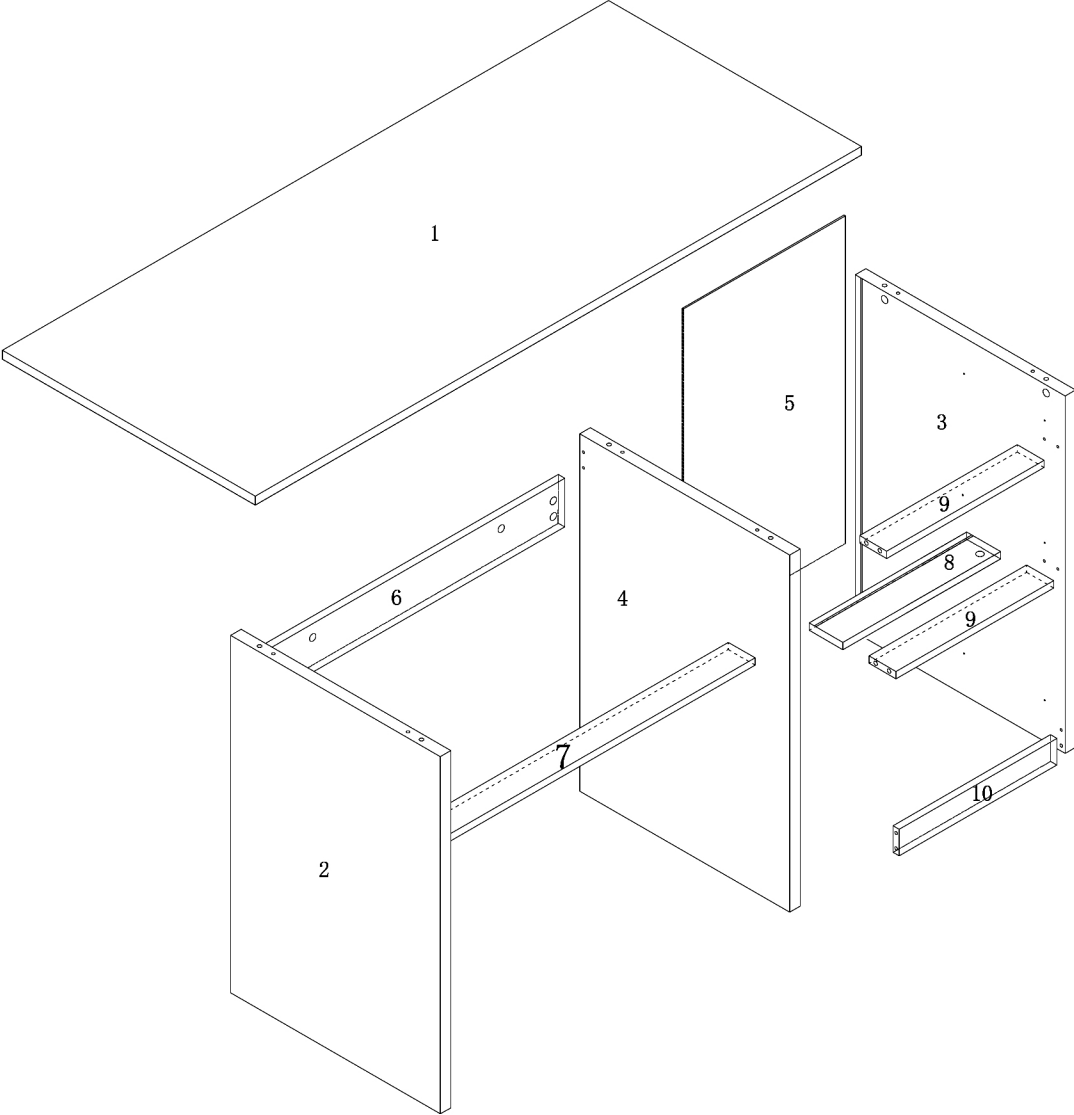


SKU: H0001101

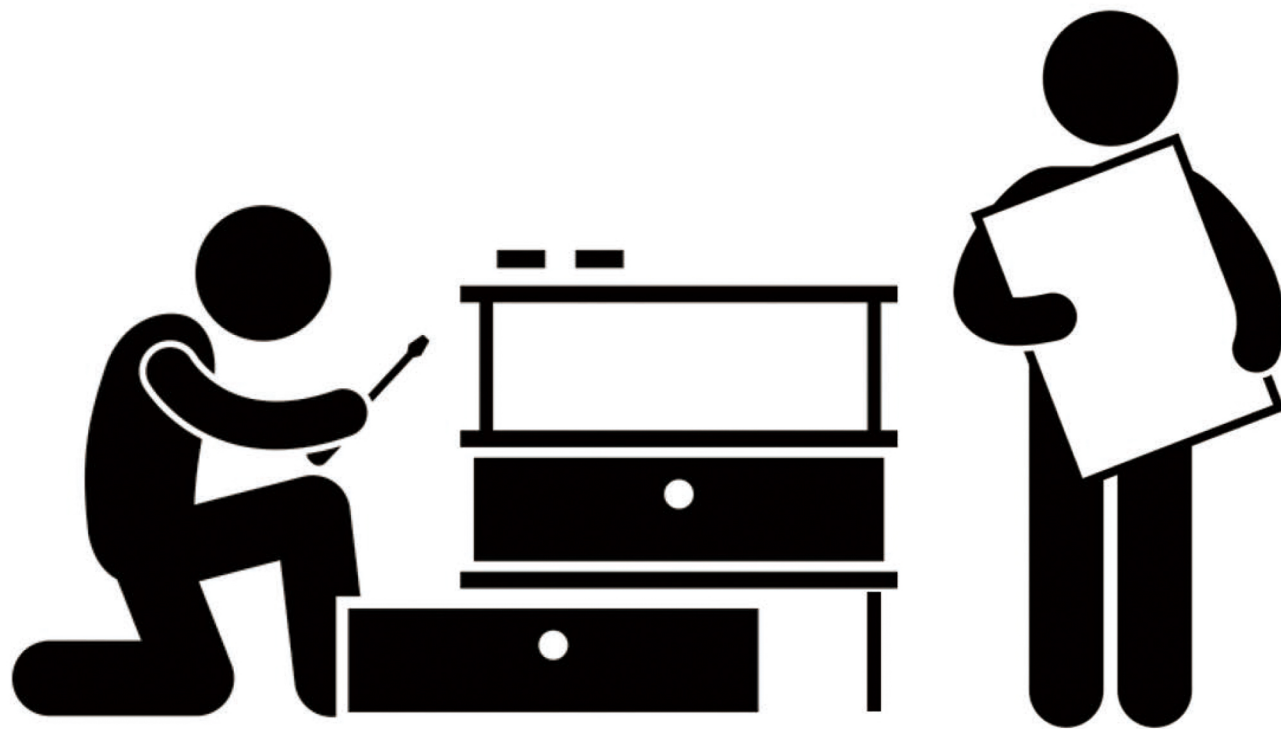


Boad Identification



**THE PRODUCT MAY RECOMMENDED
ASSEMBLING BY MORE THAN ONE
PERSON.**

**PLEASE ASK FOR ASSISTANCE AT YOUR
CONVENIENCE BEFORE ASSEMBLING.**

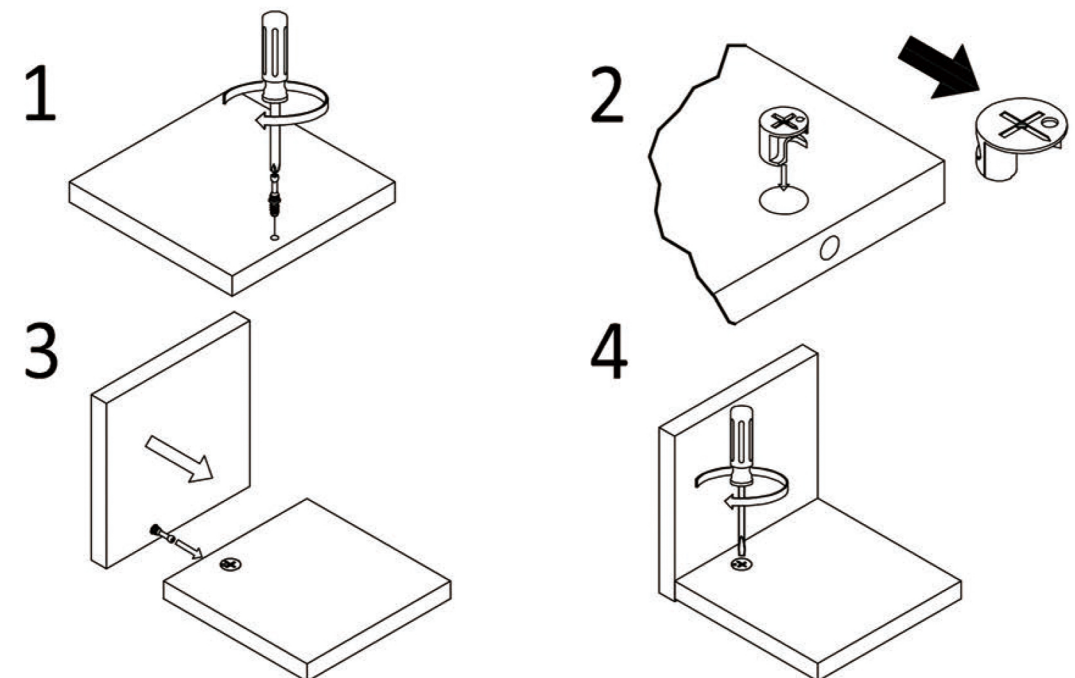


Before You Start

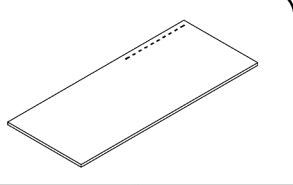
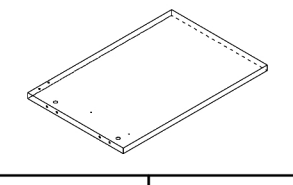
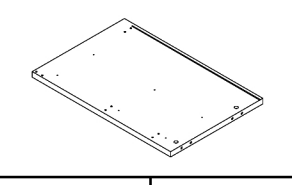
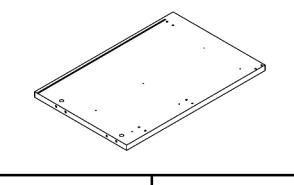
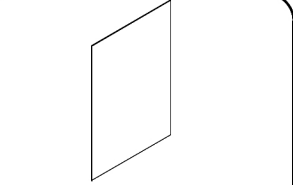
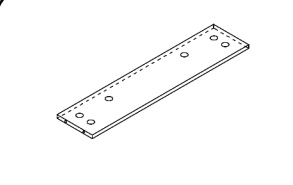
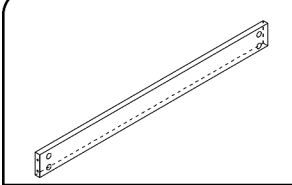
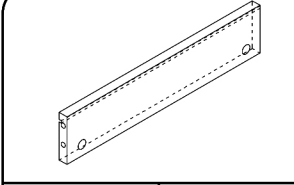
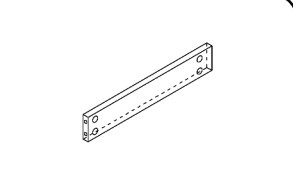
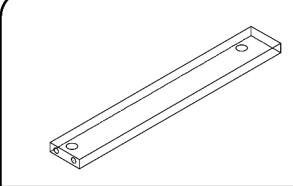
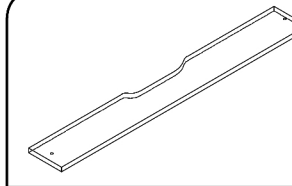
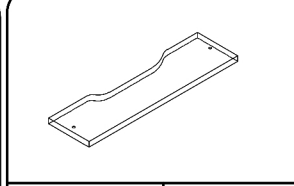
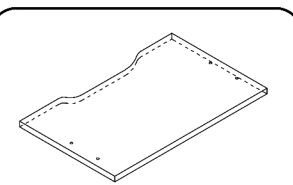
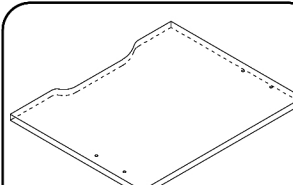
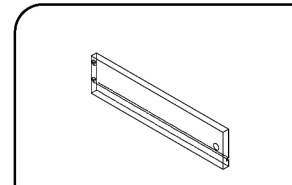
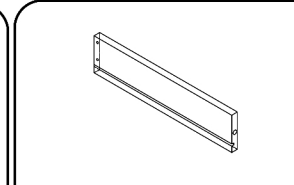
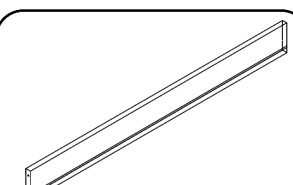
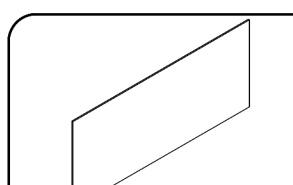
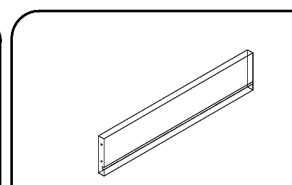
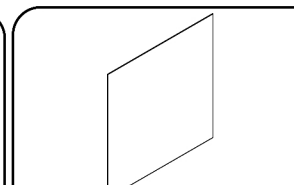
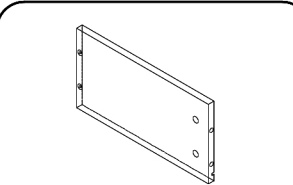
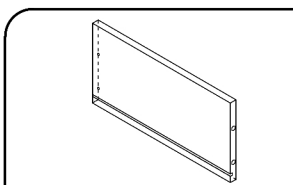
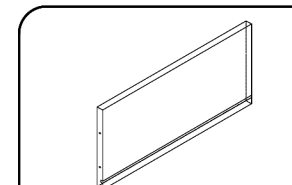
1. Read through each step carefully and follow the proper order
2. Separate and count all your parts and hardware
3. Give yourself enough room for the assembly process
4. Caution: If using a power drill or power screwdriver for screwing, please be aware to slow down and stop when screw is tight. Failure to do so may result in stripping the screw.
5. Problem of large door gap can be adjusted by hinge

Cam Lock Fastening System

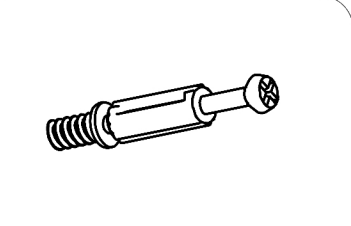

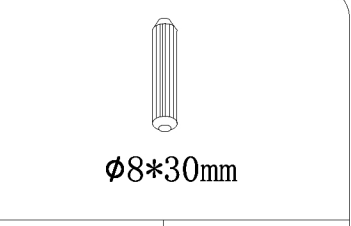
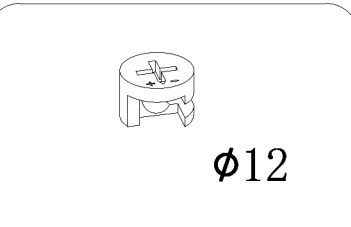
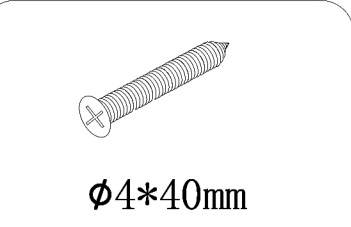
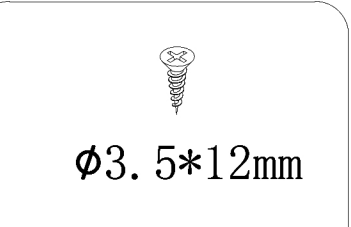
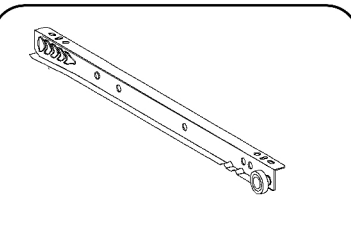
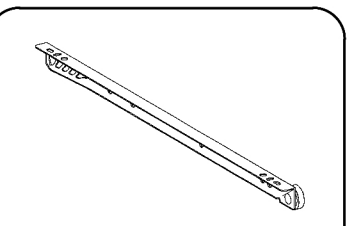
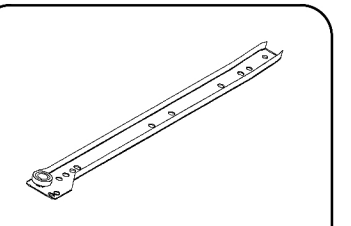
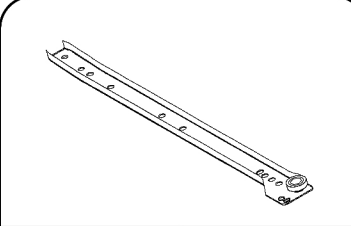
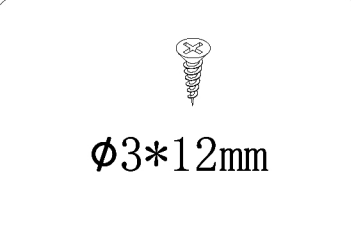
This Cam Lock Fastening System will be used throughout the assembly process.



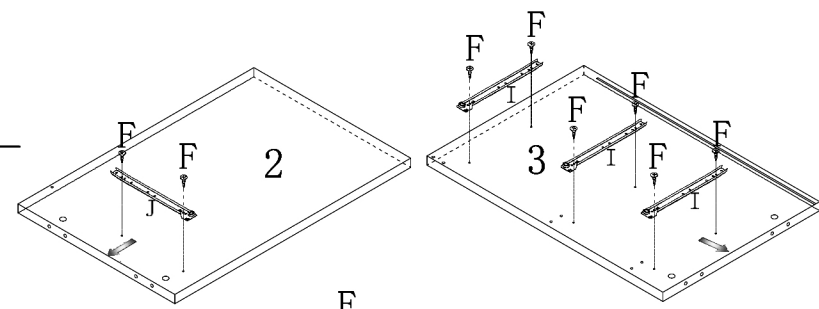
Parts List

			
1 1PC	2 1PC	3 1PC	4 1PC
			
5 1PC	6 1PC	7 1PC	8 1PC
			
9 2PC	10 1PC	11 1PC	12 1PC
			
13 1PC	14 1PC	15 2PC	16 2PC
			
17 1PC	18 1PC	19 1PC	20 3PC
			
21 2PC	22 2PC	23 2PC	

Hardware List

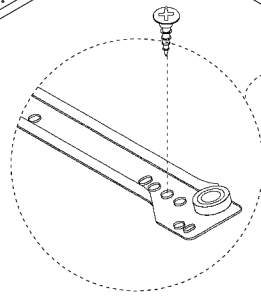
		
A 40PC	$\phi 15$ B 28PC	$\phi 8 \times 30\text{mm}$ C 10PC
		
$\phi 12$ D 12PC	$\phi 4 \times 40\text{mm}$ E 16PC	$\phi 3.5 \times 12\text{mm}$ F 16PC
		
G 4PC	H 4PC	I 4PC
		
J 4PC	$\phi 3 \times 12\text{mm}$ K 16PC	




STEP 1





Right

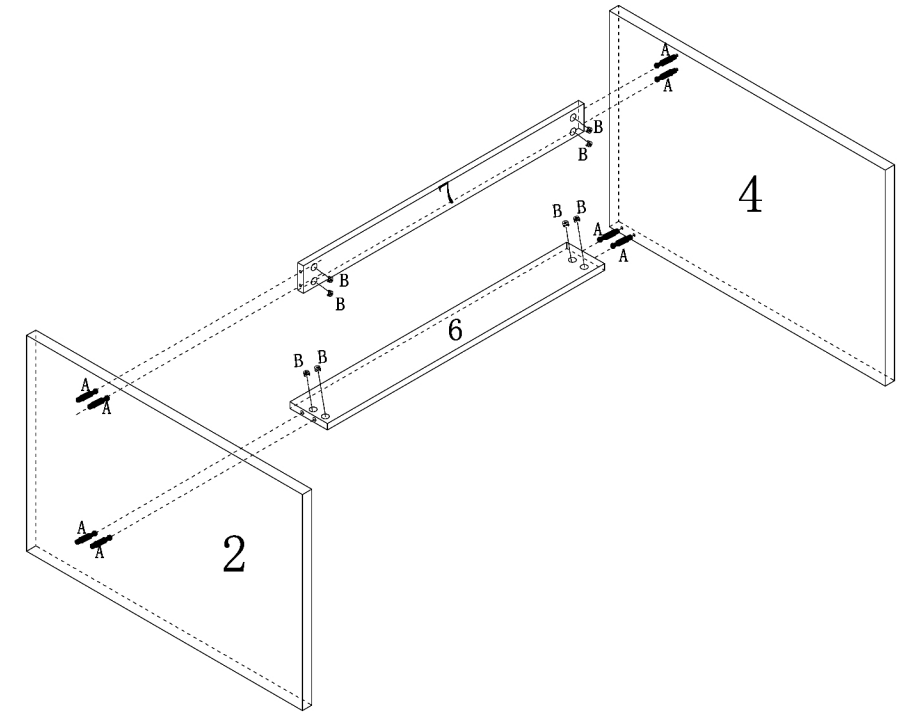
Left



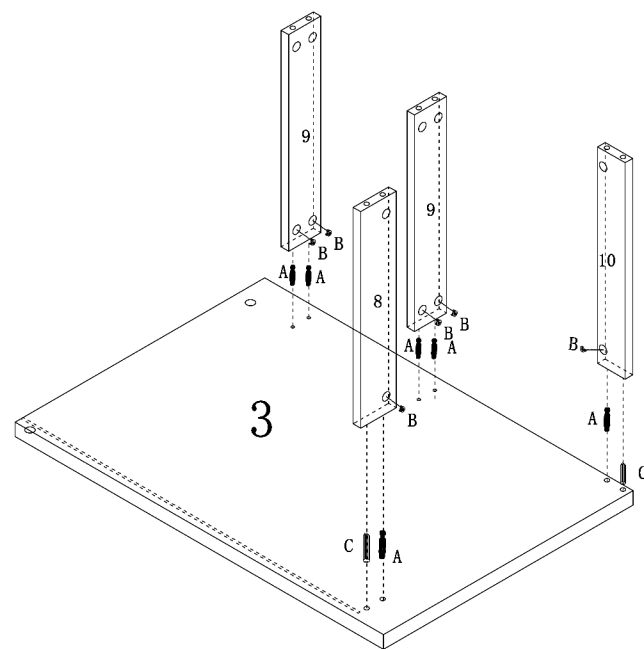
-  $\phi 3.5 \times 12\text{mm}$
- F | 16PC
-  I | 4PC
-  J | 4PC

STEP 3




-  A | 8PC
-  $\phi 15$
- B | 8PC






STEP 2

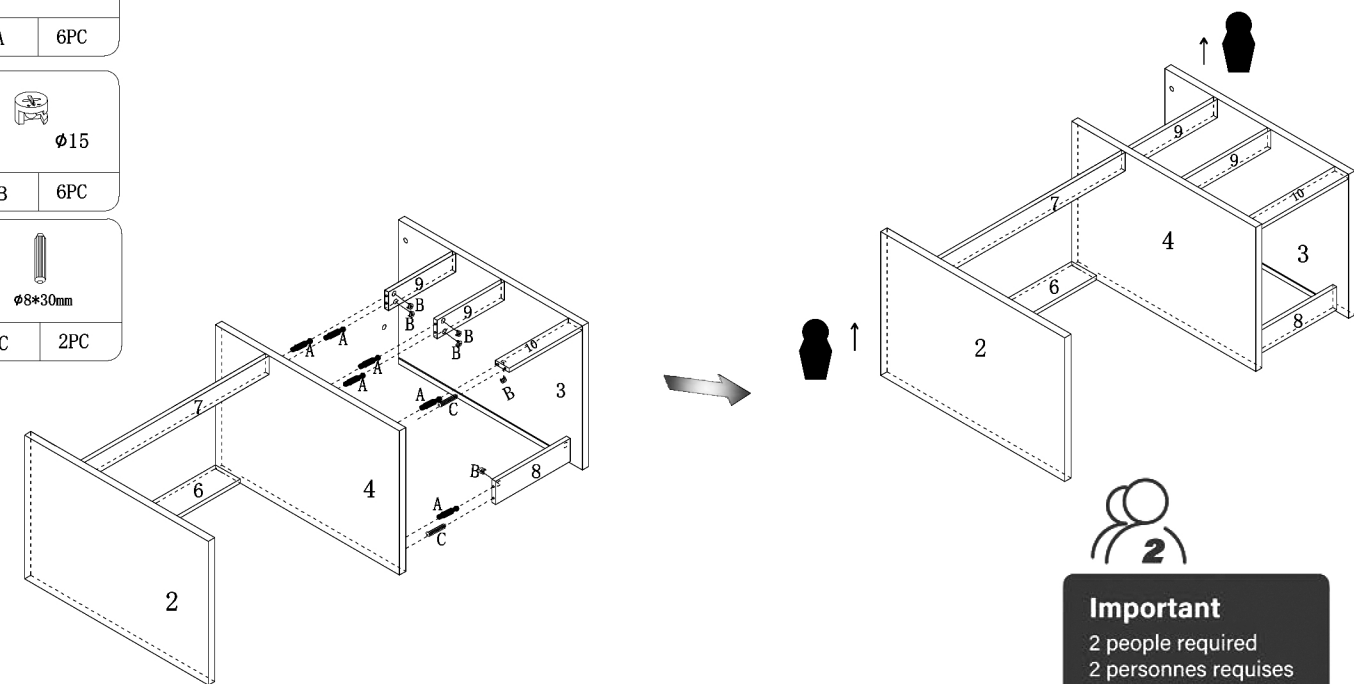


3

-  A | 6PC
-  $\phi 15$
- B | 6PC
-  C | 2PC

STEP 4

-  A | 6PC
-  $\phi 15$
- B | 6PC
-  C | 2PC

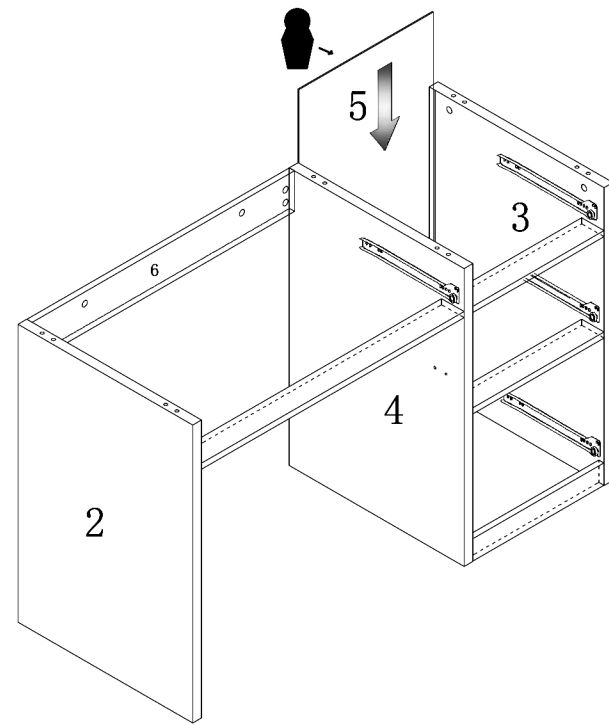


2

Important
 2 people required
 2 personnes requises
 2 personas requeridas

4

STEP 5



STEP 6

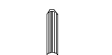


A 8PC



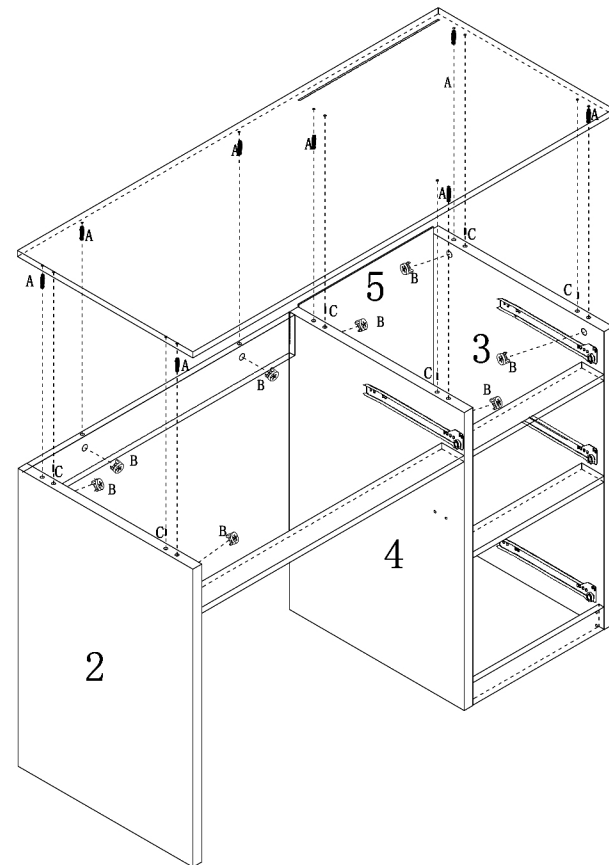
Ø15

B 8PC



Ø8*30mm

C 6PC



5

STEP 7



Ø4*40mm

E 4PC

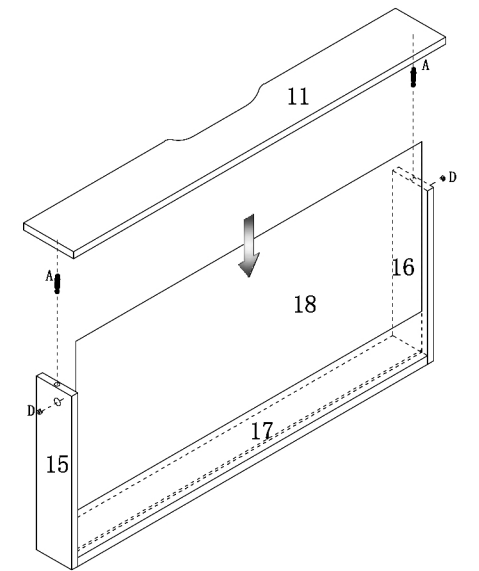
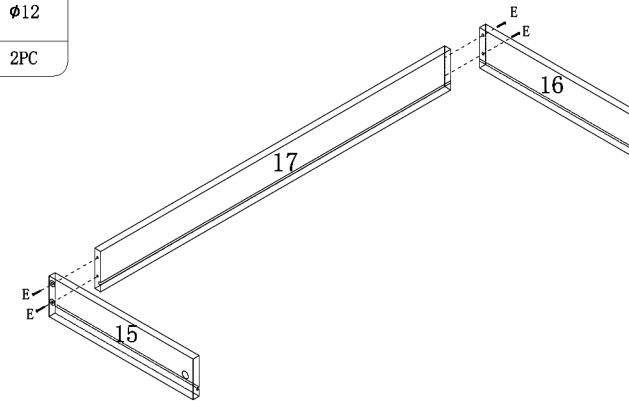


A 2PC



Ø12

D 2PC



STEP 8



Ø4*40mm

E 4PC

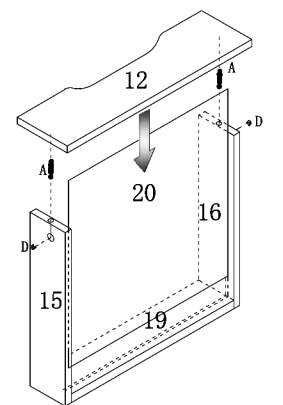
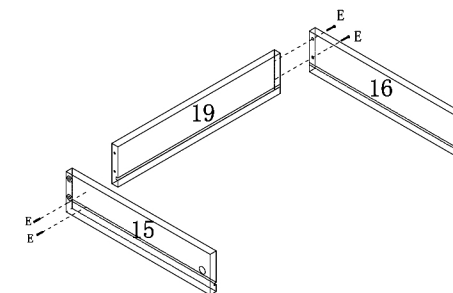


A 2PC



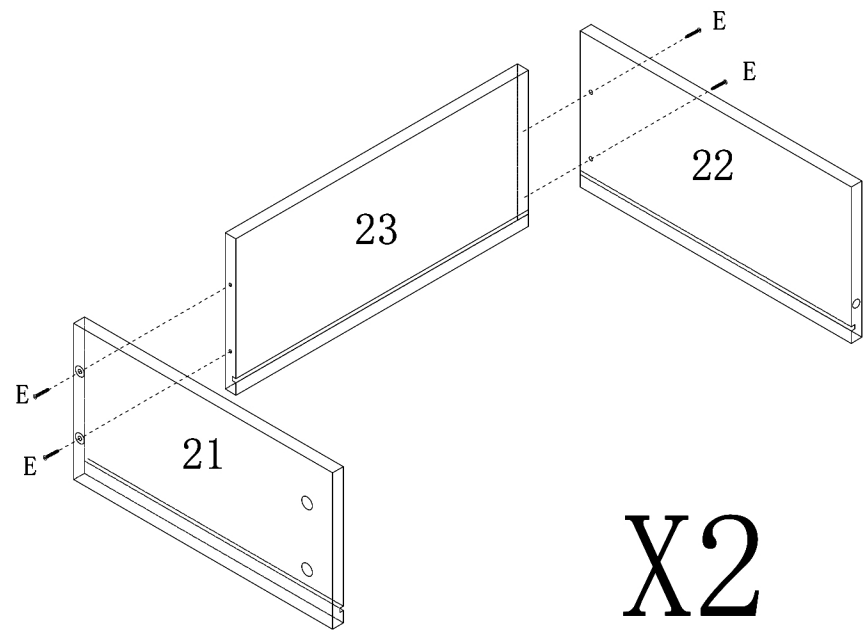
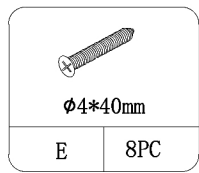
Ø12

D 2PC

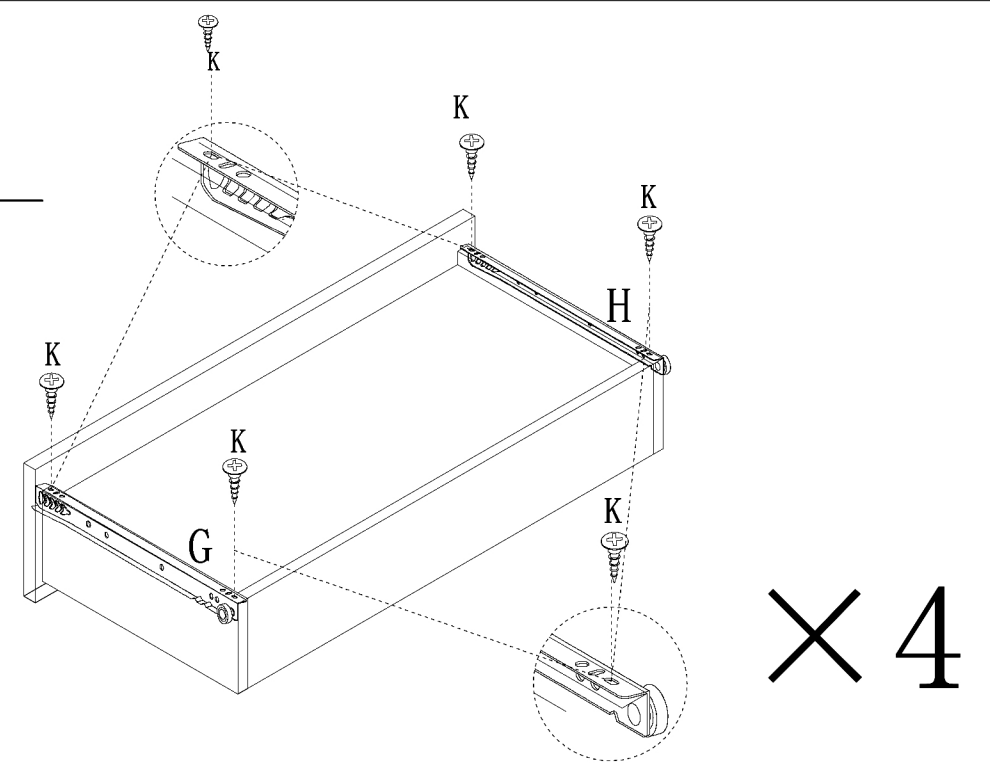
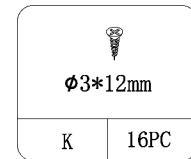
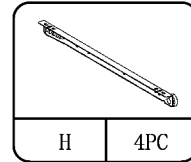
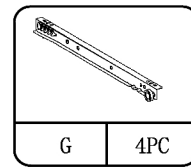


6

STEP 9



STEP 11



STEP 12

