
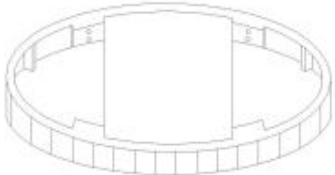
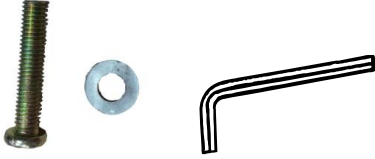
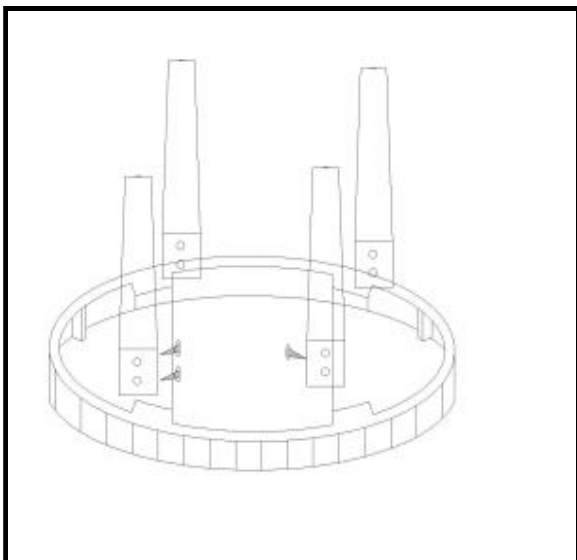


ASSEMBLY INSTRUCTIONS

A LEGS x 4	B BASE X 1	C Bolts&washer X 8 Allen Key x1
		



This item contains mirrored glass,
please take care when assembling.
Two people required to lift safely.
Ensure you have plenty of room to work.

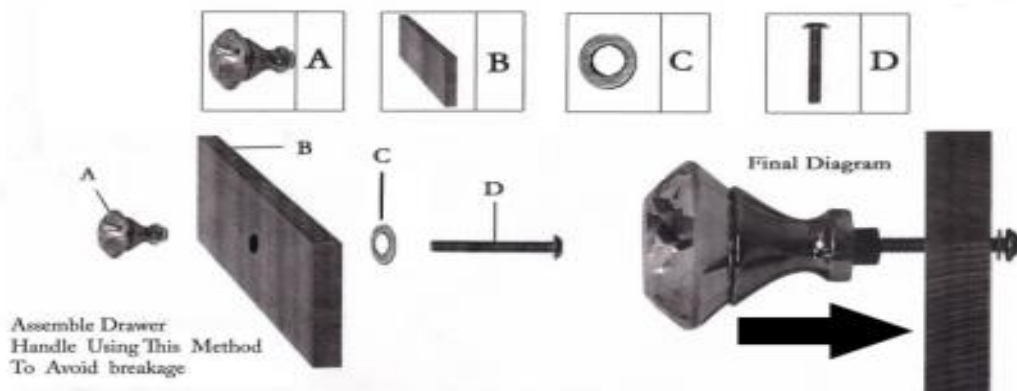
Step 1: Carefully unpack and place all parts
on a smooth surface.

Step 2: Insert Legs(A) into slots on base(B) and fix
with bolts and washers(C) using the Allen key,
provided. Two screws per leg as shown in fig.1

fig.1

WARNING

BREAKAGE CAN OCCUR IF NOT FOLLOWED CORRECTLY



Step 3: Insert bolt (D) through back of drawer(B), ensuring washer (C) is in place.

Connect to drawer handle (A). To avoid breakage do not overtighten the bolt.