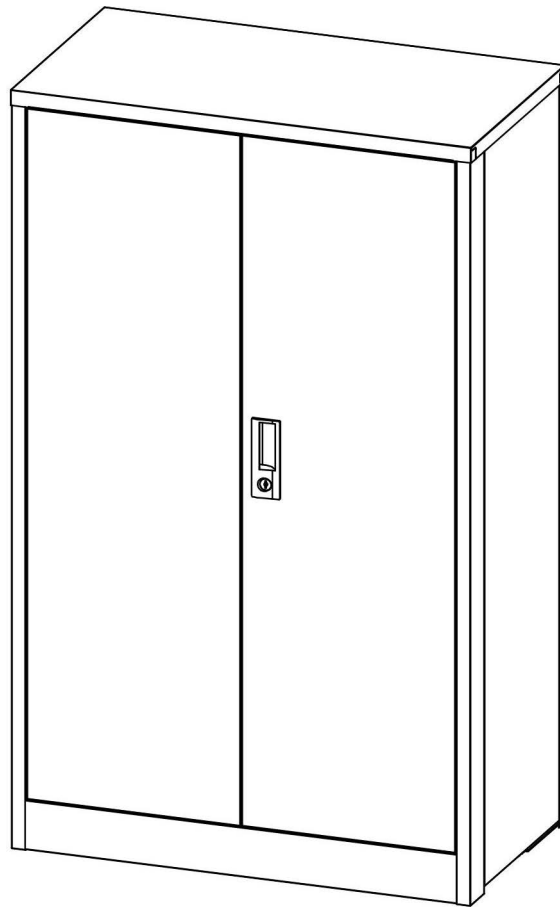
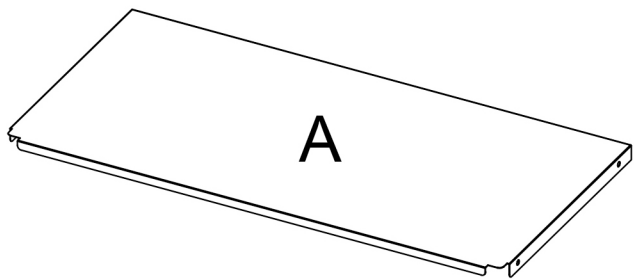


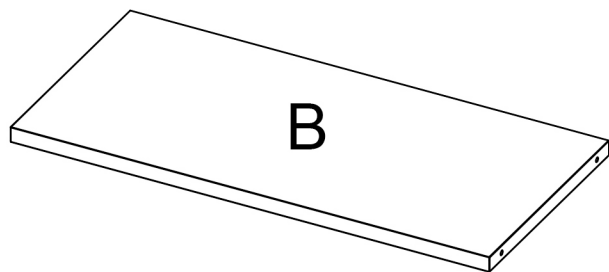
# Folding Cabinet

## Assmebly Instructions

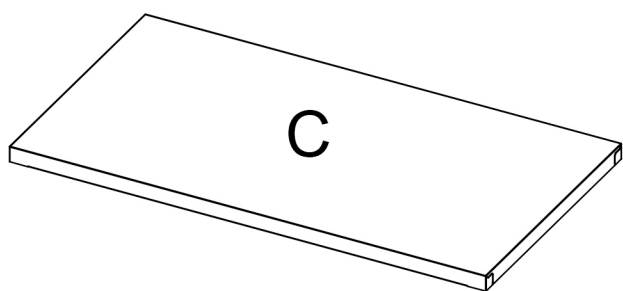




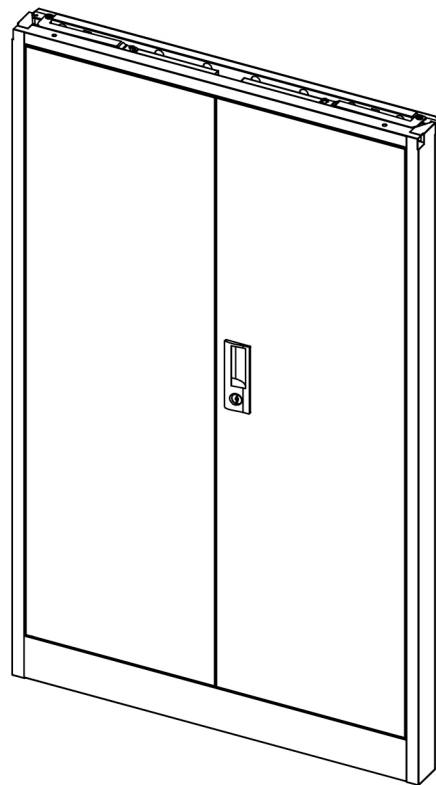
**Bottom panel**



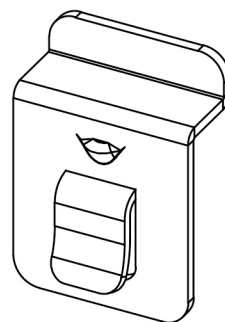
**Shelf\*2**



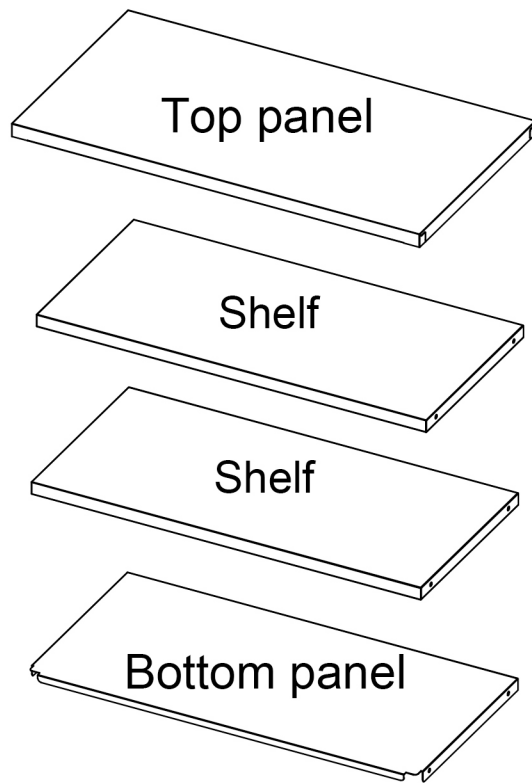
**Top panel**



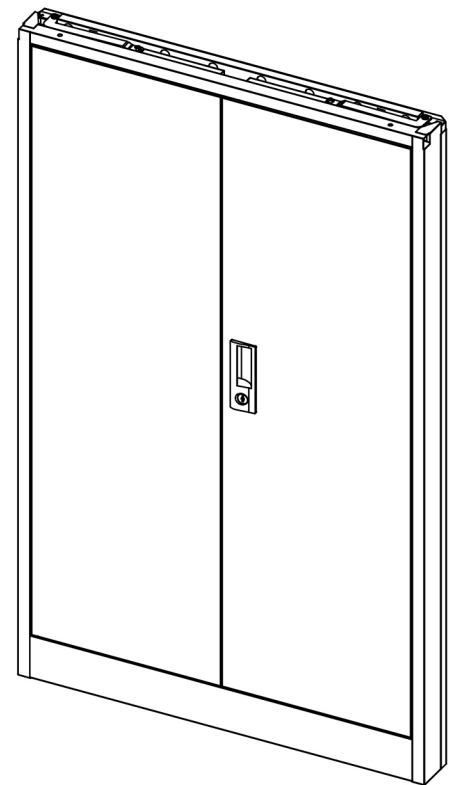
**Metal cabinet**



**Brackets\*4(+2)  
(pre-installed)**

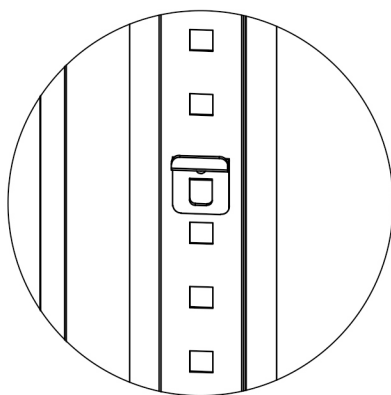


Brackets

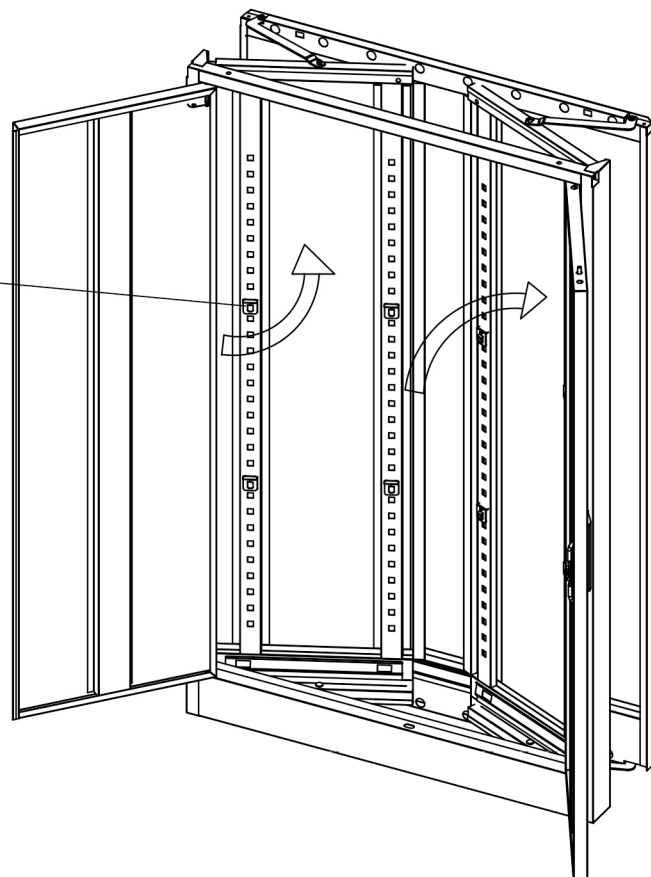


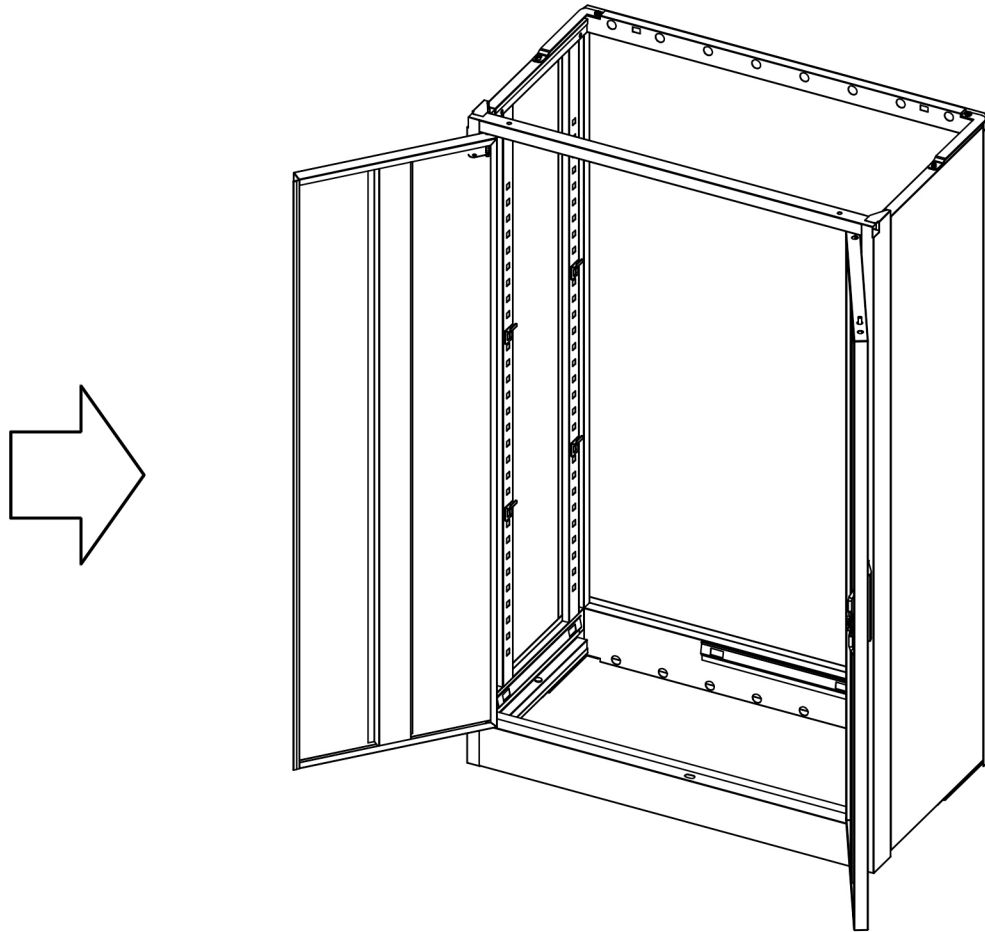
Metal cabinet

Use the key to open the door first, and then push it open on both sides.

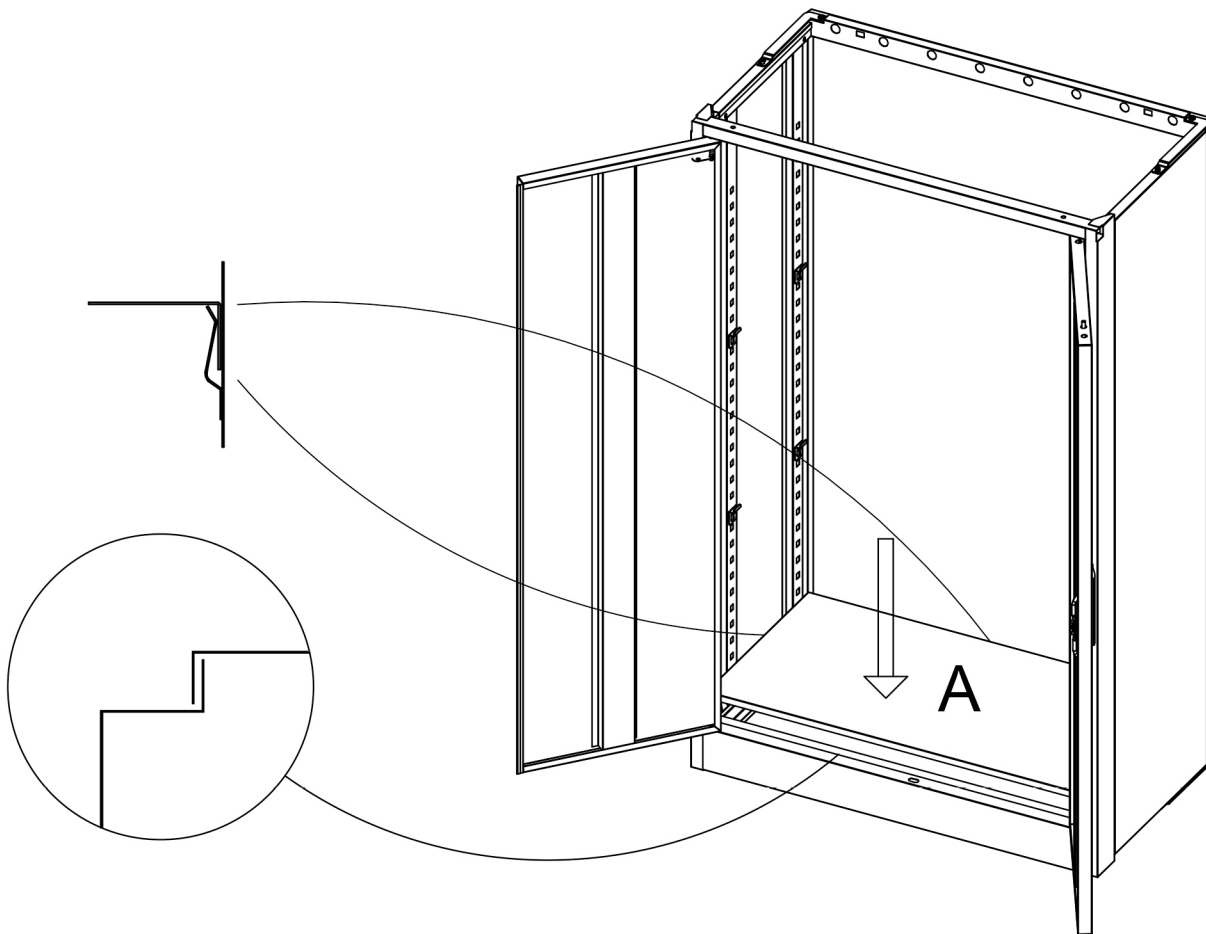


Brackets is pre-installed on side panels

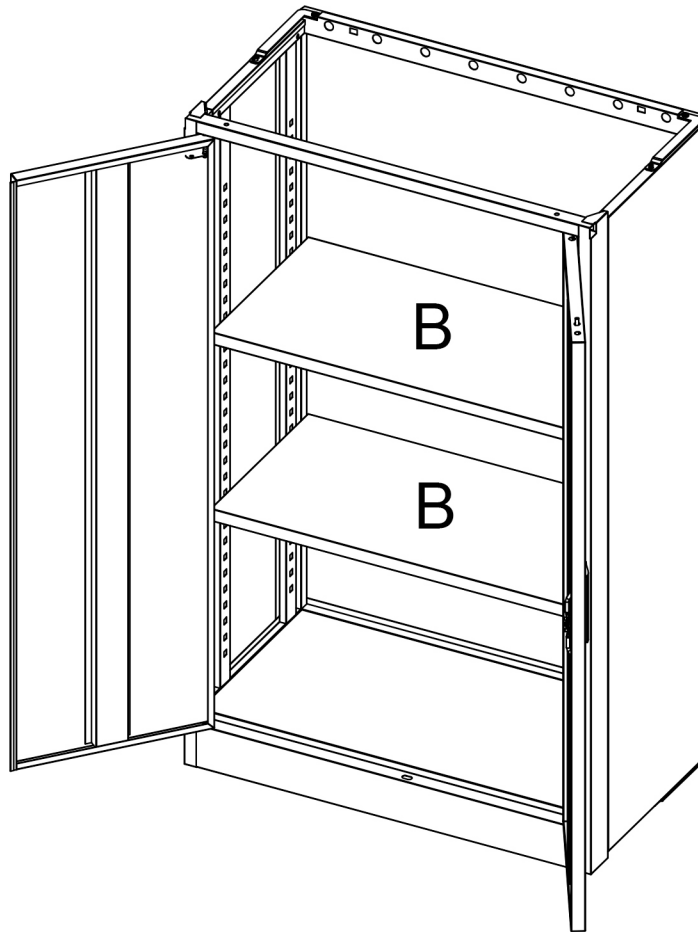




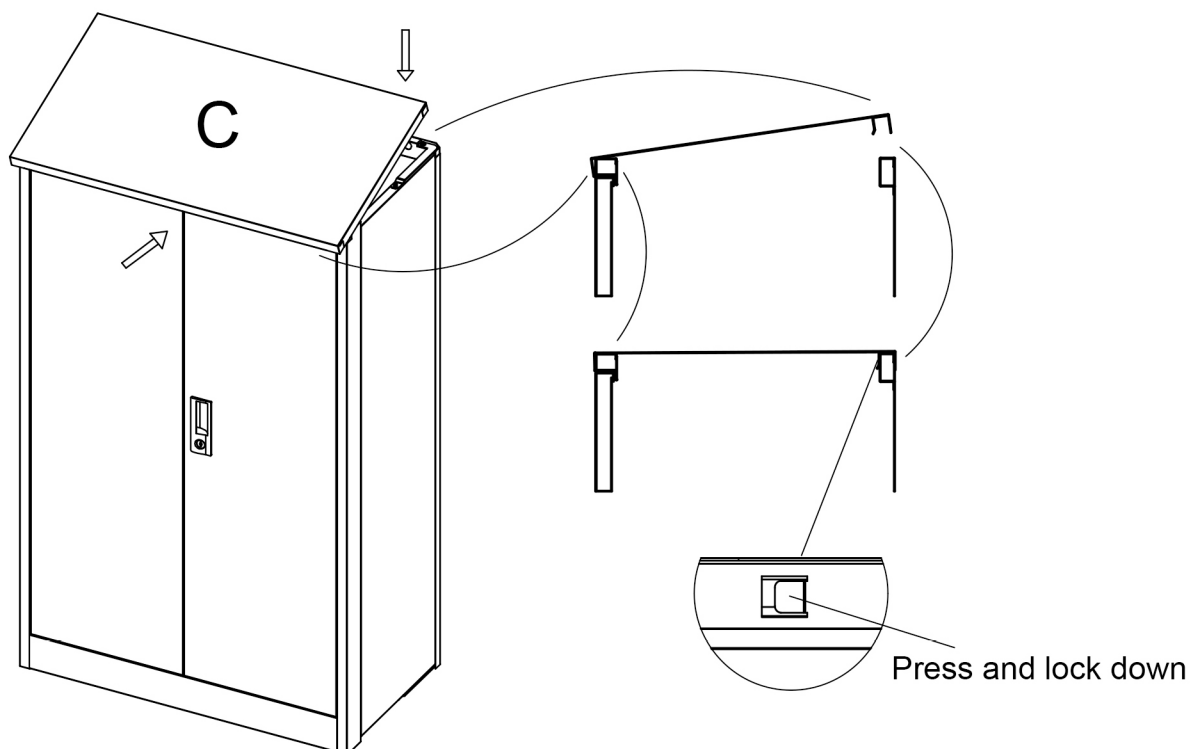
### Install the bottom panel (A)

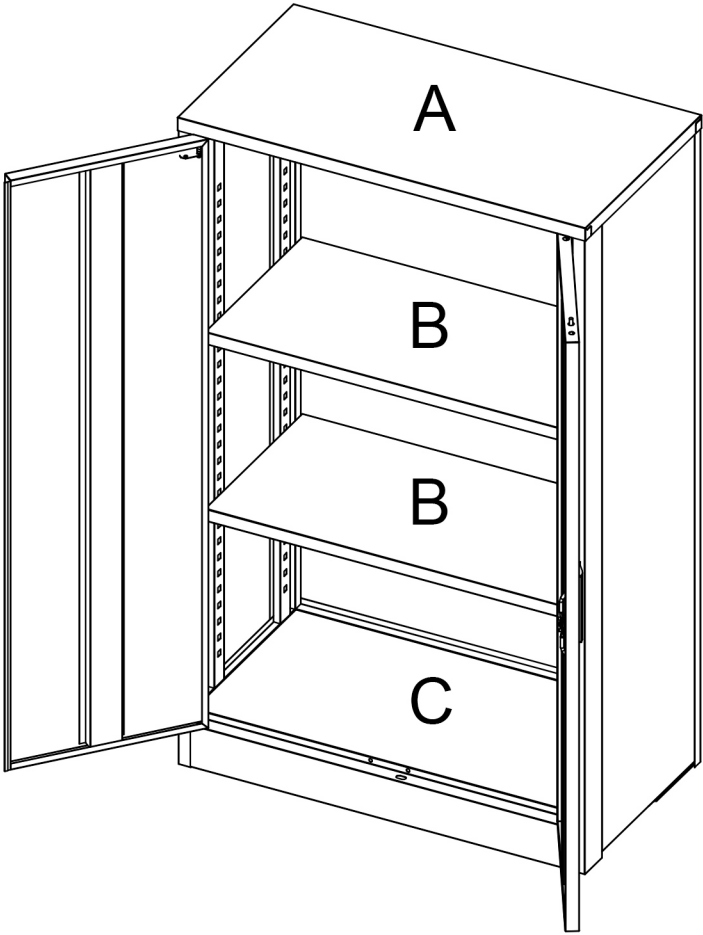


Put the shelves (B) on the brackets



Install the top panel (C): As the drawing, put the top panel, make sure the top panel is in place, then press the buckle from the inside to lock.





Finish

