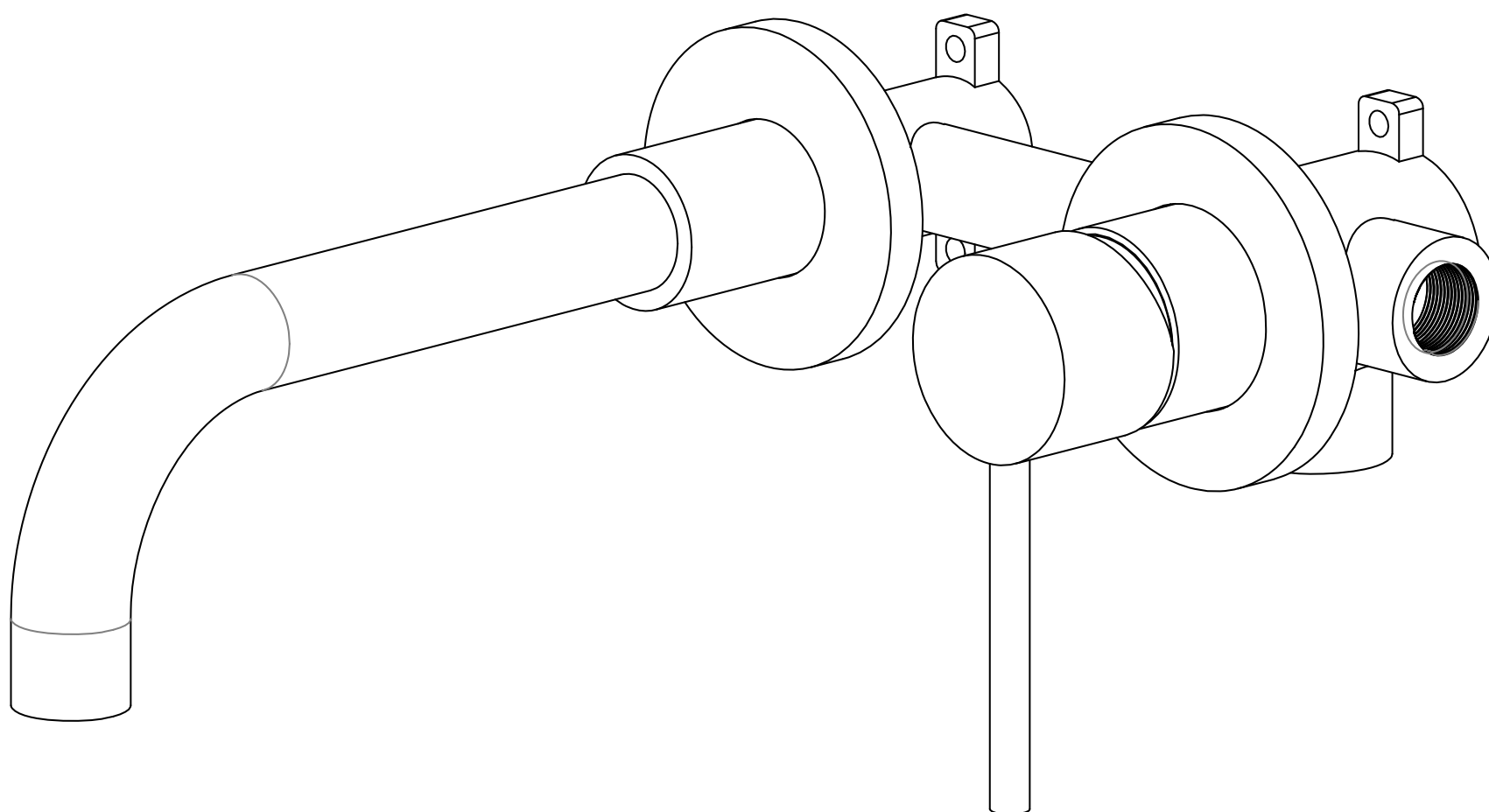


## INSTALLATION GUIDE



### WALL BATHROOM MIXER TAP

MODEL	FINISH
WT2394CI	CHROME
WT2394NI	BRUSHED NICEKL
WT2394DI	MATTE BLACK
WT2394BGI	BRUSHED GOLD

## THANK YOU

Dear Valued Customer,

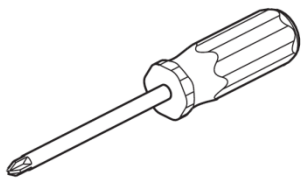
Wistum would like to take this opportunity to thank you for purchasing Wistum products. It is our sincere hope that you are completely satisfied with your new purchase. All WISTUM products are carefully engineered, and factory tested to provide long trouble-free use under normal conditions. This product is easy to install using basic tools and our easy to follow illustrated instructions. We welcome any questions or comments you may have and look forward to assisting you in the future. If you have any questions regarding this product, call +49 (0)17630537708 or email to [supports@wistum.de](mailto:supports@wistum.de).

Sincerely,  
Wistum Armaturen GmbH

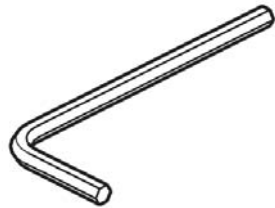
## BEFORE PROCEEDING

1. Unpack your new product and ensure that all the parts are contained in the packaging. Keep the product in its original box until you ready to install it.
2. Locate water supply inlets and shut off the water supply valves. These are usually found near the water meter. if you are replacing an existing unit, remove the old unit and clean the mounting surface thoroughly.
3. Observe all plumbing and building codes in your area.
4. It is recommends calling professional if you are uncertain about installing this product.

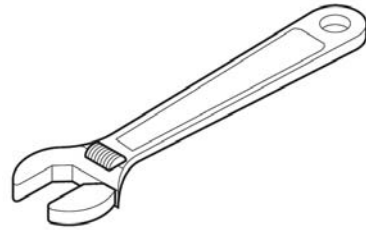
## TOOLS RECOMMENDED



Philips screwdriver



Allen wrench



Adjustable wrench



Channel locks



Thread Sealant

# NOTICES TO BUYERS

VERSION: 20190820.25.1

## Intended use

The product is at the current level of science and technology and meets all valid safety requirements in place at the point of introduction, assuming proper use.

This faucet is designed for sanitary use only.

The product is not designed for commercial use.

Any other type of use is inappropriate. Improper use or modifications to the product or the use of components that are not tested and approved by the manufacturer may result in unforeseen damage!

Any unintended use or any activities on the product not described in these operating instructions are an unauthorized misuse outside the manufacturer's legal liability limits.

## For your safety

General safety information

- The user of the product must have read and understood these operating instructions prior to its first use to ensure the safe handling of this product.
- Please comply with all safety instructions!
- Store all operating information and safety instructions for future reference.
- If you sell or pass on the product, you must also pass on these operating instructions.
- The Product may only be used when it functions properly. If the product or part of the product is defective, take it out of operation and ensure that it is disposed of correctly.
- Only use the product for its intended purpose.

## Product-specific safety information

- Important when using in low pressure systems: Before starting up the low pressure or electrical storage heater open the hot water faucet of the faucet until the water flows without bubbles. A low pressure faucet drips when heating water since it functions like a pressure control valve.
- Faucet for use in private households! Only suitable for use in rooms with a temperature above 0°C. In the event of a risk of frost, interrupt the water supply and empty the faucet.
- Be careful when setting the hot water: Risk of scalding!
- If the faucet is not used for a longer period of time, first run a large amount of water through it before taking water for drinking.
- Symbols affixed to your product may not be removed or covered. Information on the product that is no longer legible must be replaced immediately.

## Installation Captions

The images show examples, the fittings may differ from those depicted in terms of appearance and scope of delivery. Pay attention to the article number on the packaging!

Installation must be carried out by an installation engineer or by a technically-versed end user instructed by an installation engineer. Failure to observe this requirement shall void the warranty.

Prior to the installation and disassembly of a faucet, the general water supply should be switched off.

When installing the new faucet ensure that the seals are positioned correctly. After installation, check all connections to ensure that they are sealed and test the faucet for functionality.

Pipes and fittings must be installed, inspected and flushed in accordance with current standards and regulations.

After installation, unscrew the mixer jet, rinse the pipe and the faucet well(hot/cold water supply) in order to rinse out contaminations(shavings and hemp residues). Screw the mixer jet back onto the outlet after rinsing the faucet.

Leaks or water outs may cause considerable damages to the building or to the contents of your home. Check all connections carefully to ensure that they are sealed.

## Replacing the cartridge

The cartridge is a consumable that may, in the event of very hard or dirty water, need to be replaced every 1 to 2 years.

## Cleaning

Sanitary faucets require special care. For this reason, please observe the following notes:

- Chrome-plate surfaces are sensitive to limescale removal products, acidic cleaning agents and all types scouring agents.

- 
- Colored surfaces may not be cleaned with scouring or corrosive agents or those containing alcohol.
  - Clean your faucets with clean water and a soft cloth or chamois leather only.

## Disposal of the product

This product may not be disposed of with the household waste! Ensure it is disposed of professionally. Information can be obtained from the relevant waste disposal authorities.

## Disposing of the packaging

The packaging consists of cardboard and marked plastics that can be recycled. Take these materials to a recycling centre.

## Warranty Claims

Our products are produced in modern factories and are subjected to an internationally recognised quality assurance process. Should you nevertheless have grounds for complaint, please do not hesitate to contact Wistum Armaturen GmbH. For products, the legal warranty claims apply as of transfer of ownership.

## Guarantee claims

### Sole guarantor

Wistum Armaturen GmbH, Pettenkoferstraße 18, 14027 Berlin Germany guarantee claims above and beyond the legal requirements in accordance with the following conditions.

### Guarantee services

The guarantee only applies to products which contain this guarantee declaration. The guarantee is limited exclusively to the faults described below and the associated services:

- Faults regarding highly polished chrome surface, for example, bronze or coloured surfaces.
- Fault on mixer jets(aerator). A replacement part will be made available.
- Fault on cartridges of lever mixers and ceramic inner shells.

Normal wear of parts and components such as shower head , hand shower and shower hose are excluded from the warranty.

No other services are expressly guaranteed. This applies, in particular, to costs incurred in conjunction with installation and removal, transportation cost, work costs, dispatch costs etc that will not be recompensed.

### Guarantee exclusion

This guarantee does not apply to faults caused by natural wear and tear or improper treatment of the product. Improper treatment is considered present if the product shows signs of damage which indicate that the operating instructions have been ignored, or the product has not been cared for properly, for example, removal of lime scale.

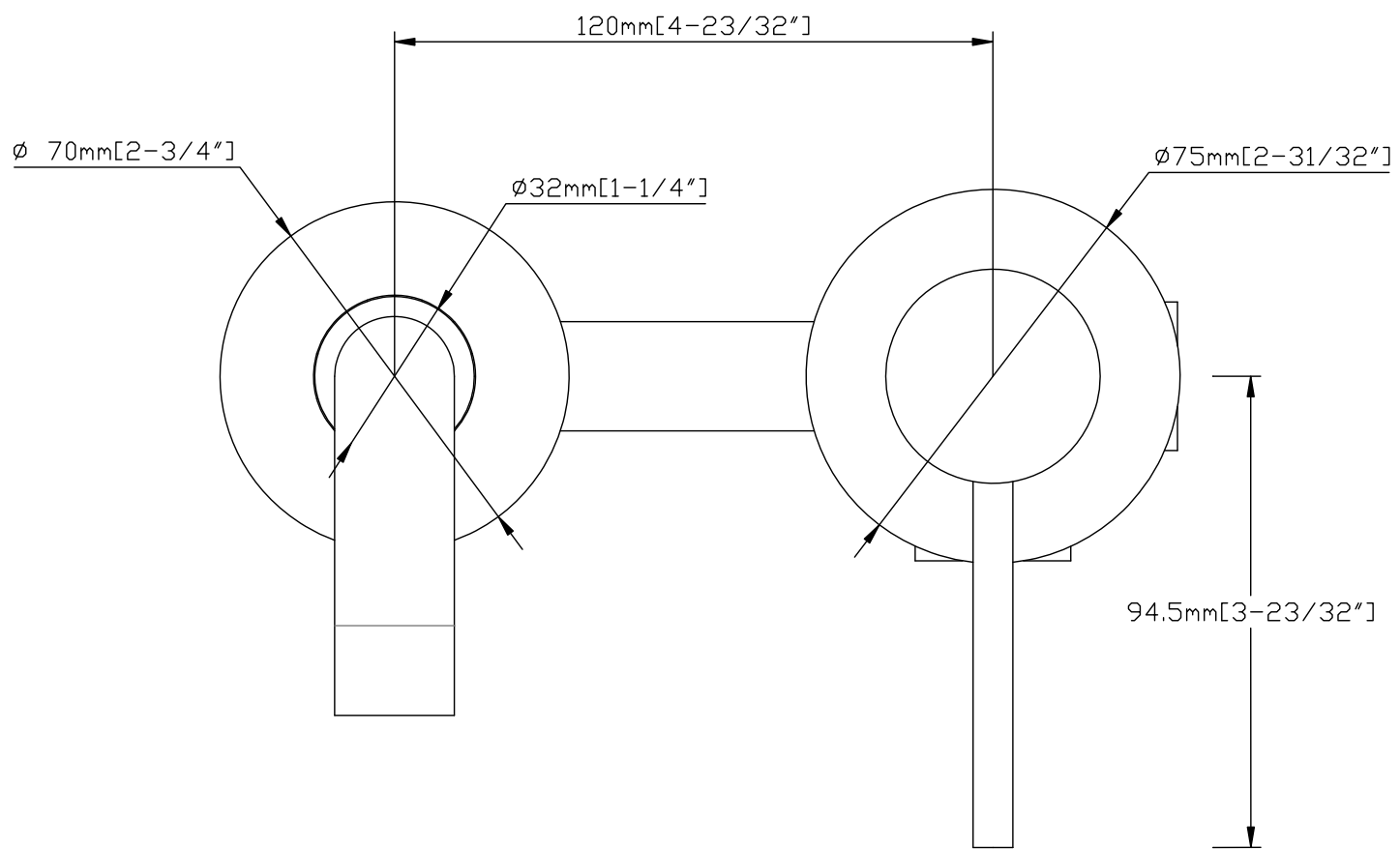
### Conditions for the use of the guarantee

The guarantee is valid for 5 years as of the purchase of the product and must be accompanied by proof of purchase. The claims must be made to Wistum Armaturen GmbH within this deadline. The guarantee for the electronic components included in the fittings(e.g. LEDs) runs for 2 years. The guarantee for the fitting itself is not affected by this.

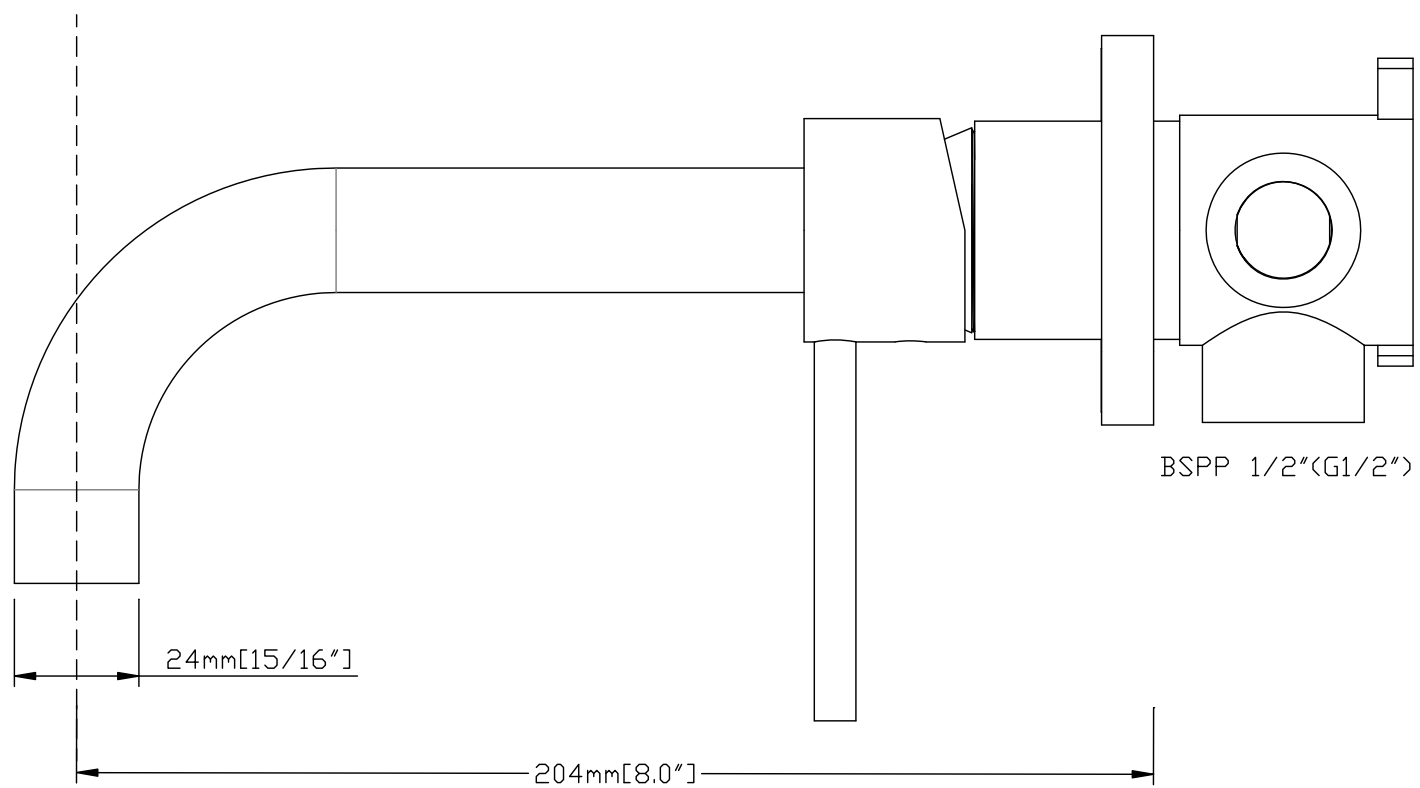
## FUNCTIONS AND SPECIFICATION

<b>Function</b>	Bathroom Sink Faucets
<b>Feature</b>	Wall mount
<b>Theme</b>	Modern ,Contemporary
<b>Configuration</b>	Vessel
<b>Finish</b>	Chrome/Nickel brushed/Matte black/Brushed Gold
<b>Installation Holes</b>	Two
<b>Number of Handles</b>	One
<b>Handle style</b>	Lever
<b>Faucet Total Height</b>	Adjustable
<b>Spout Reach</b>	204mm [8.0"]
<b>Spout Height</b>	Adjustable
<b>Installation type</b>	Wall mounted
<b>Valve Type</b>	Ceramic disc
<b>Faucet Body Material</b>	Brass
<b>Spout Material</b>	Brass
<b>Handle Material</b>	Metal
<b>Net Weight</b>	1.2 KG [2,64 lbs ]
<b>Gross Weight</b>	1.5KG [3,3lbs ]
<b>Working water press</b>	0.2 ~0.8 Mpa
<b>Flow Rate</b>	6.8L/M [1.8 GPM ]
<b>Packing box size</b>	290mm(11-13/32") x 195mm(7-11/16") x 85mm(3-11/32")

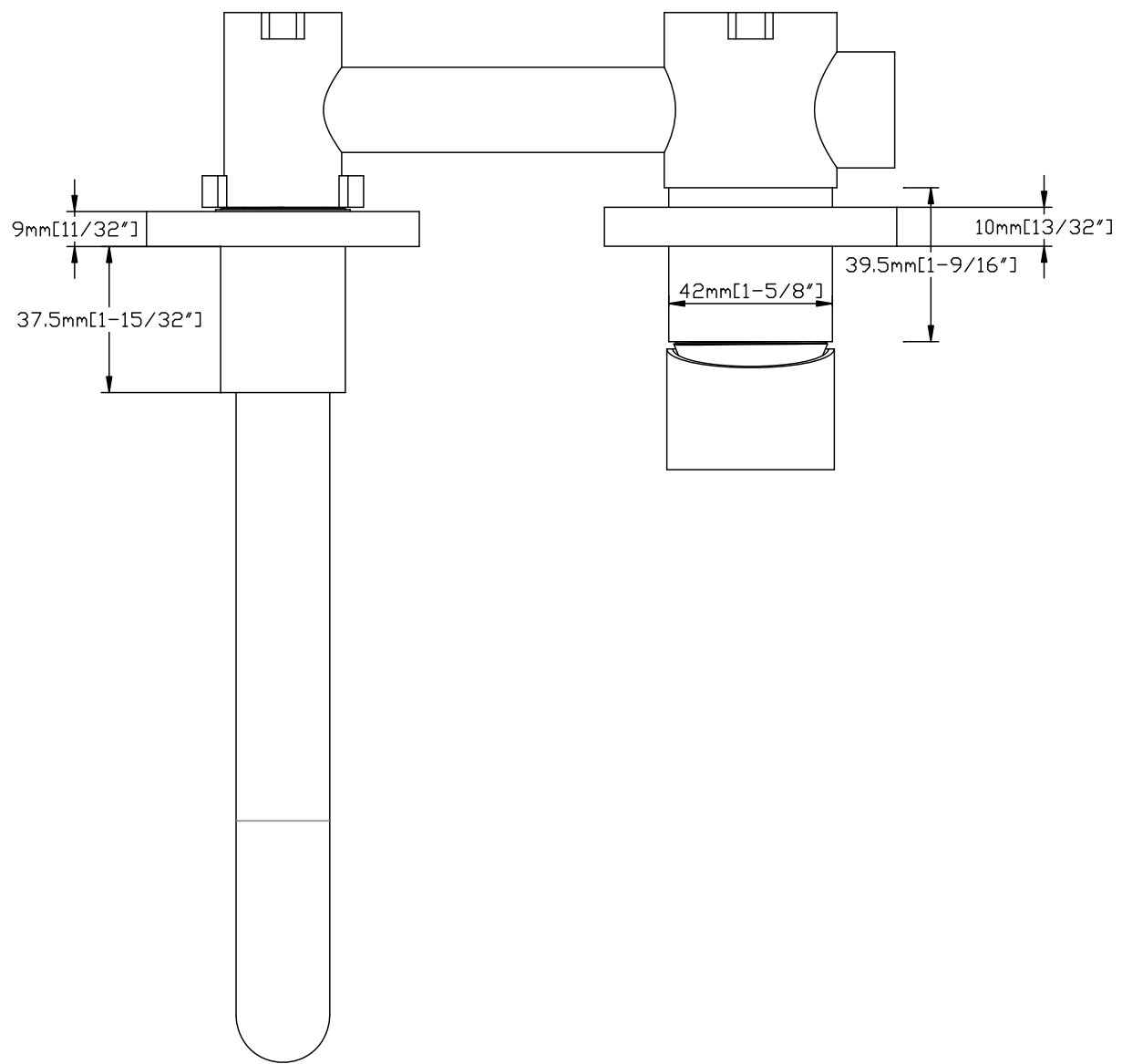
## DIMENSION



FRONT VIEW OF FAUCET



RIGHT SIDE VIEW OF FAUCET



# INSTALLATION STEPS

## 1. BEFORE PROCEEDING



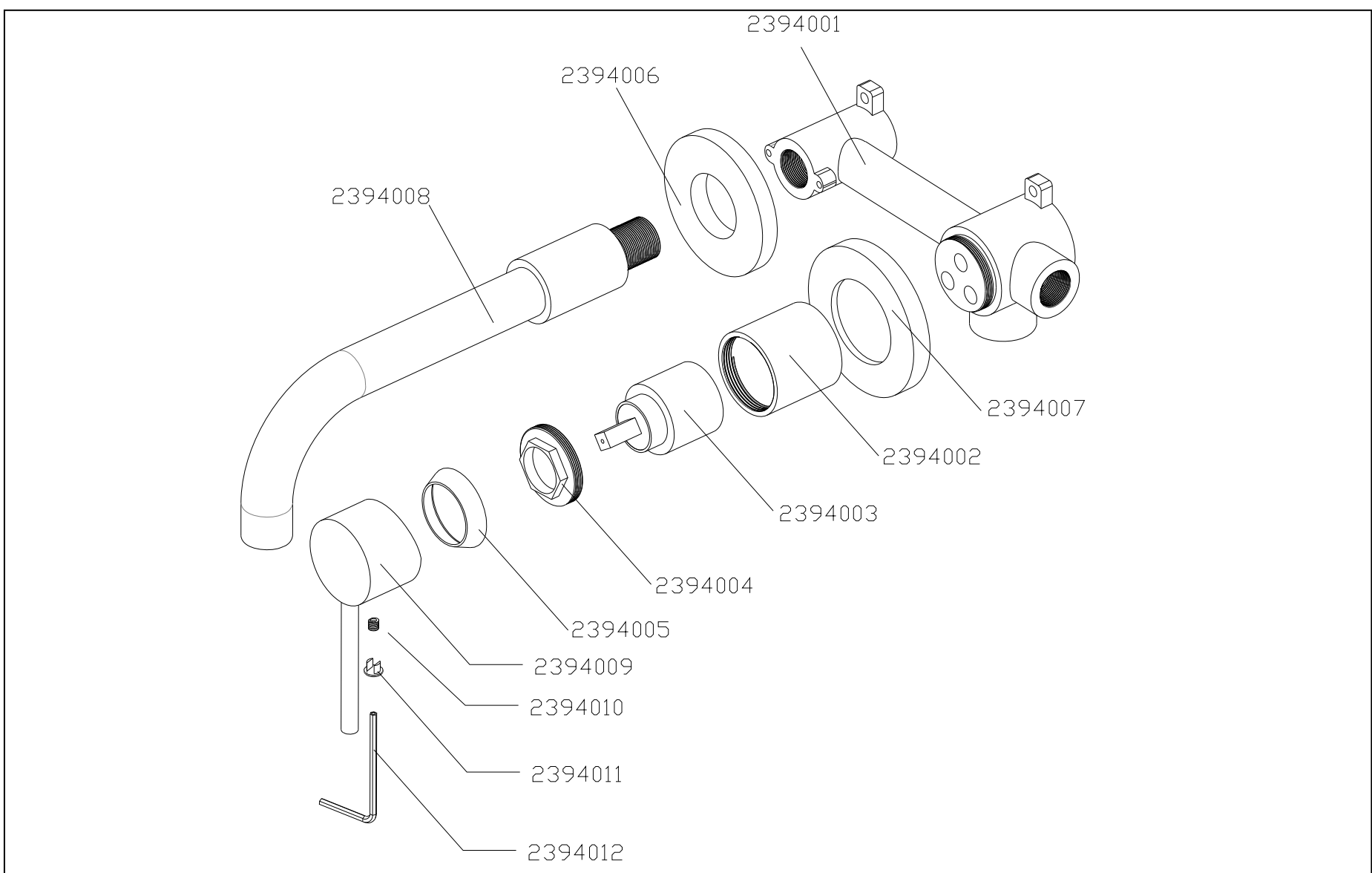
**WARNING:** Read all the instructions completely before proceeding. Wistum recommends calling a professional if you are uncertain about installing this product!, this product should be installed in accordance with all local and state plumbing and building codes.

## 2. SHUT OFF WATER SUPPLY

Locate water supply inlets and shut off the water supply valves. These are usually found near the water meter. If you are replacing an existing unit, remove the old unit and clean the mounting surface thoroughly.

## 3. CHECKING THE CONTENTS OF THE BOX

Upon opening the box, check to ensure that all the following items are included.

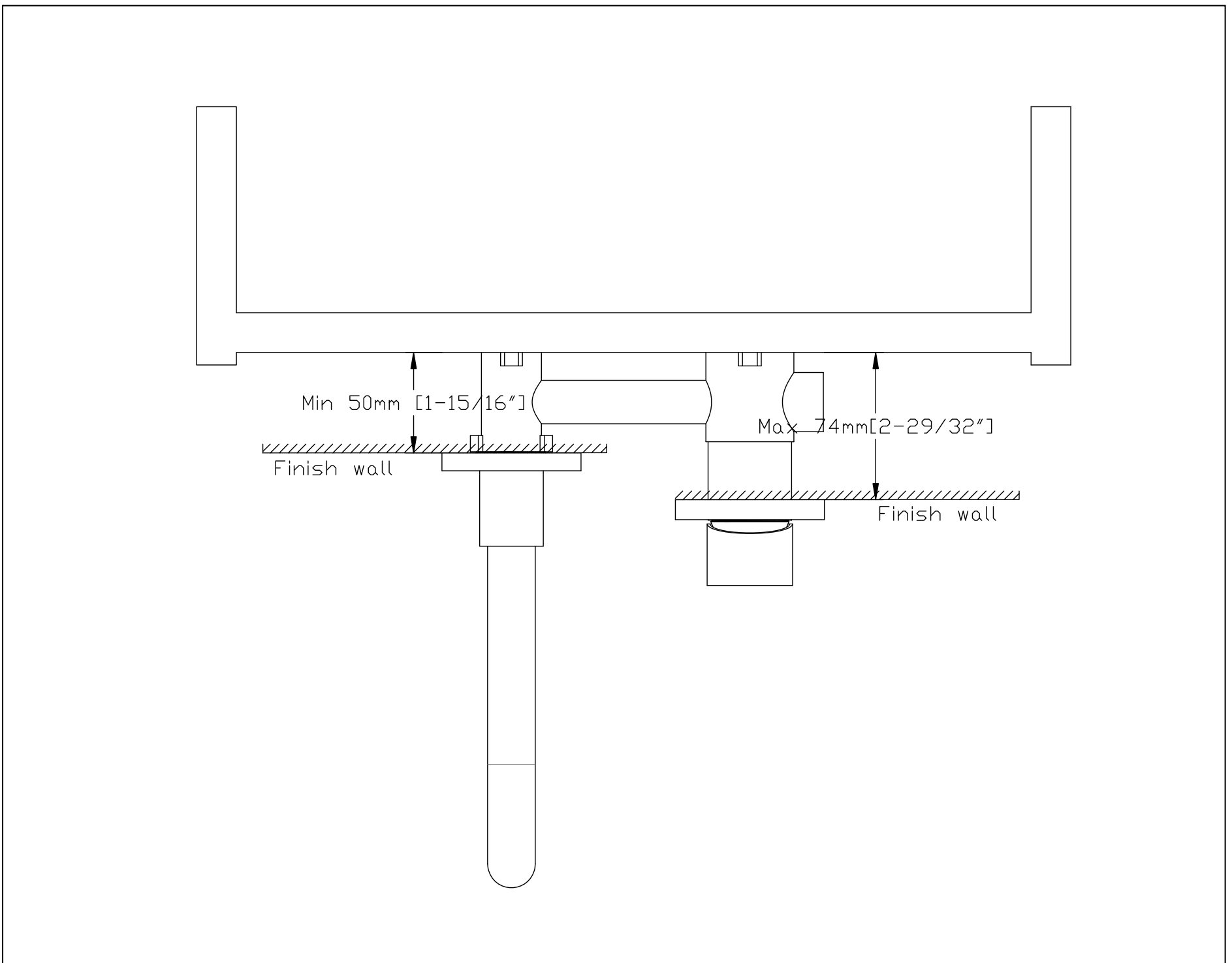
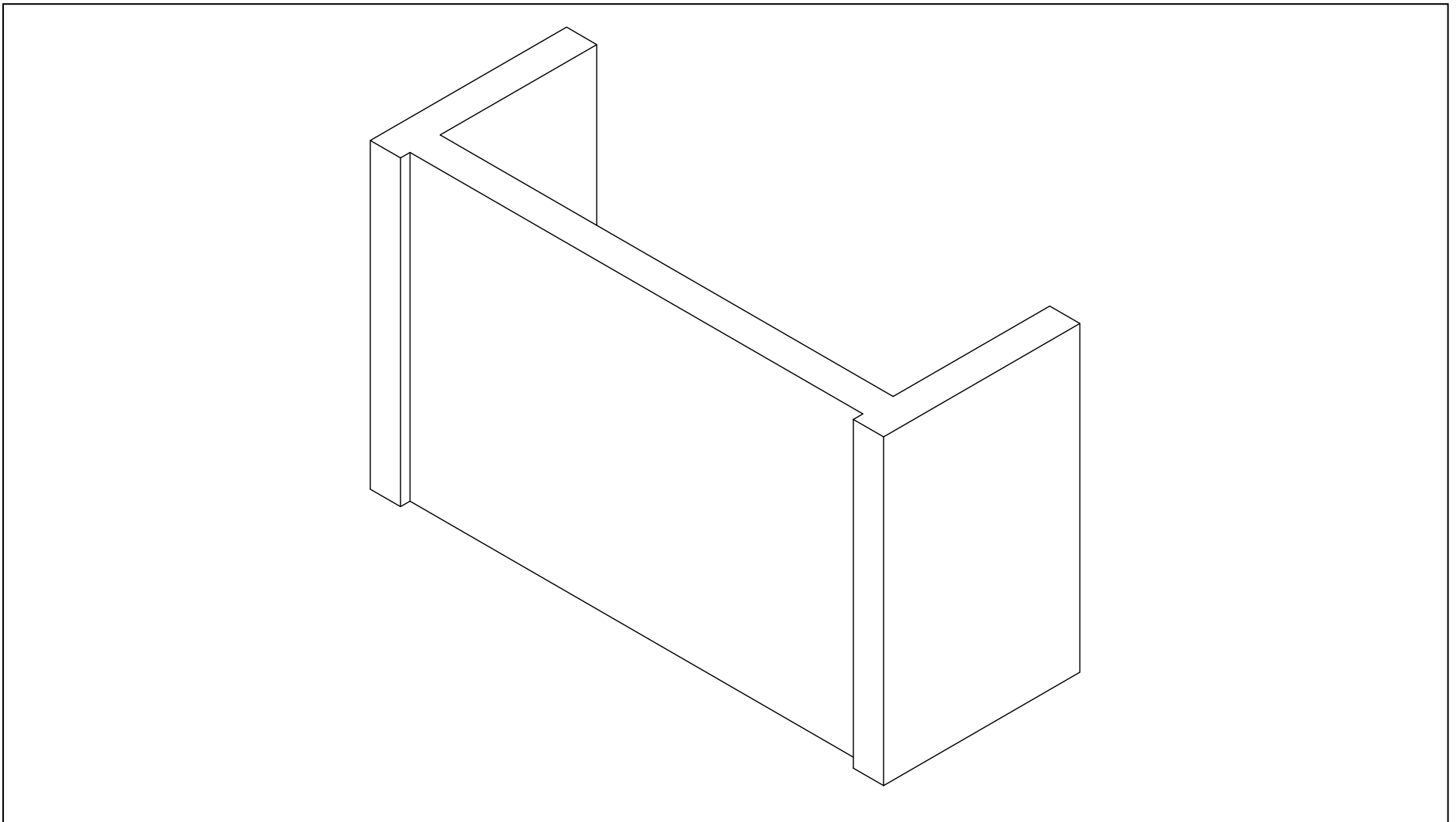


CODE	ITEM NAME	QTY	CODE	ITEM NAME	QTY
2394001	Rough-in valve	1PCS	2394002	Sleeve	1PCS
2394003	ceramic cartridge	1PCS	2394004	Bonnet nut	1PCS
2394005	Escutcheon	1PCS	2394006	Escutcheon	1PCS
2394007	Escutcheon	1PCS	2394008	Spout	1PCS
2394009	Handle(Lever)	1PCS	2394010	Set screw	1PCS
2394011	Screw cover	1PCS	2394012	Allen wrench	1PCS

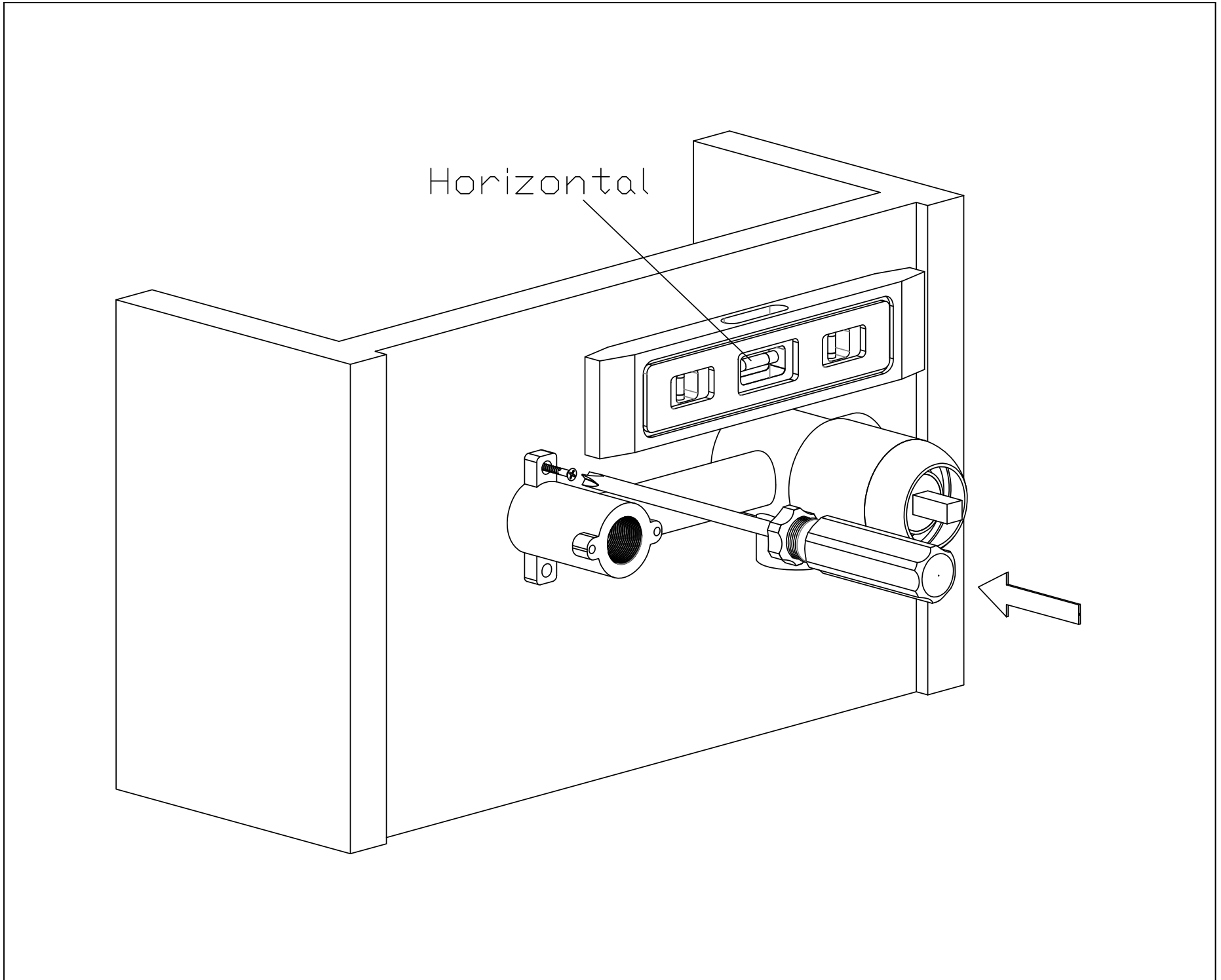
If any of these items are missing, please contact WISTUM consumer service at +49 (0)17630537708 or email to: [supports@wistum.com](mailto:supports@wistum.com)

#### **4. VALVE TRIM SET INSTALLATION**

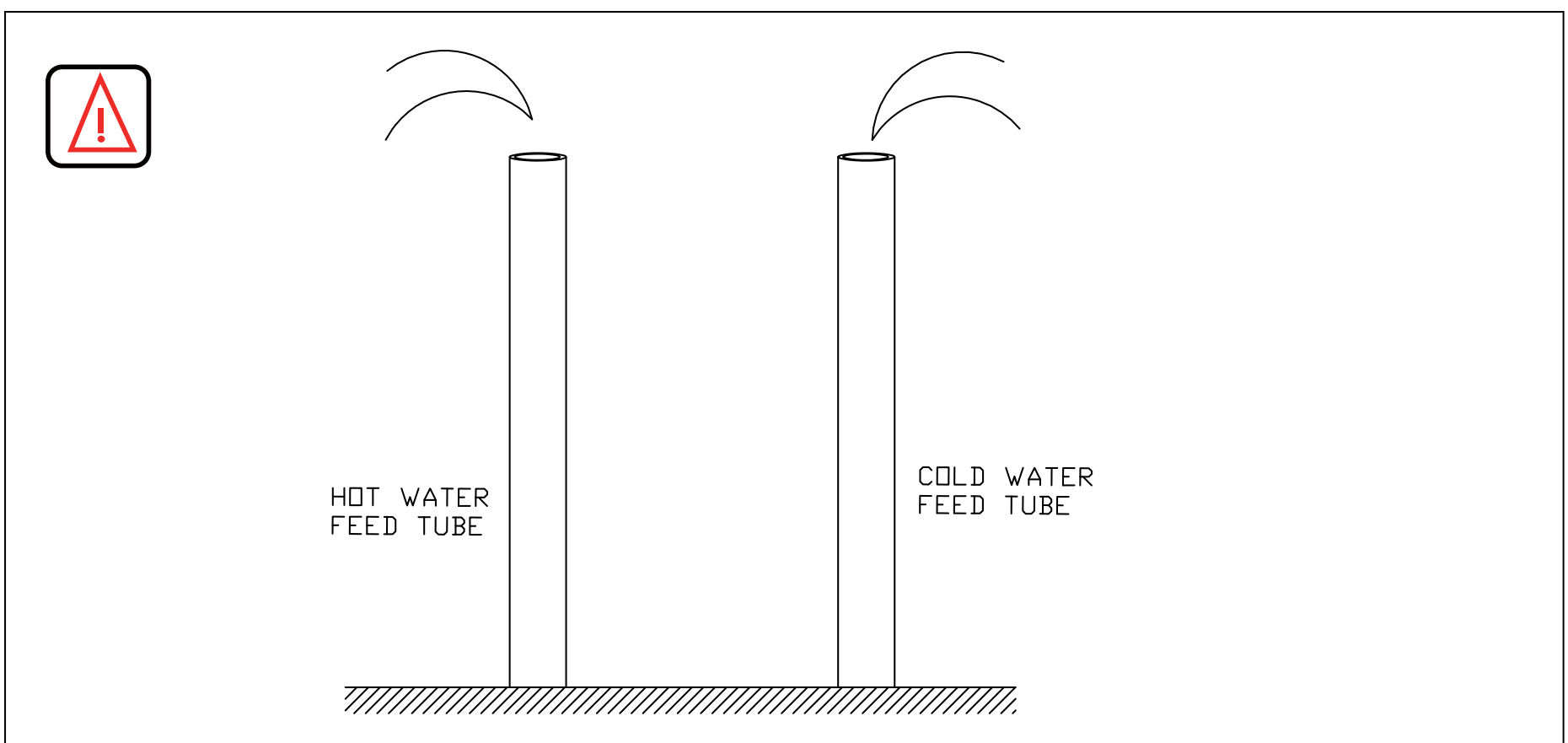
4.1 Make a mounting rack (normally use woods as materials) for preparing install the rough-in valve. The mounting rack's face should be 50mm (1-15/16") at least and 74mm (2-29/32") behind the finish wall surface.



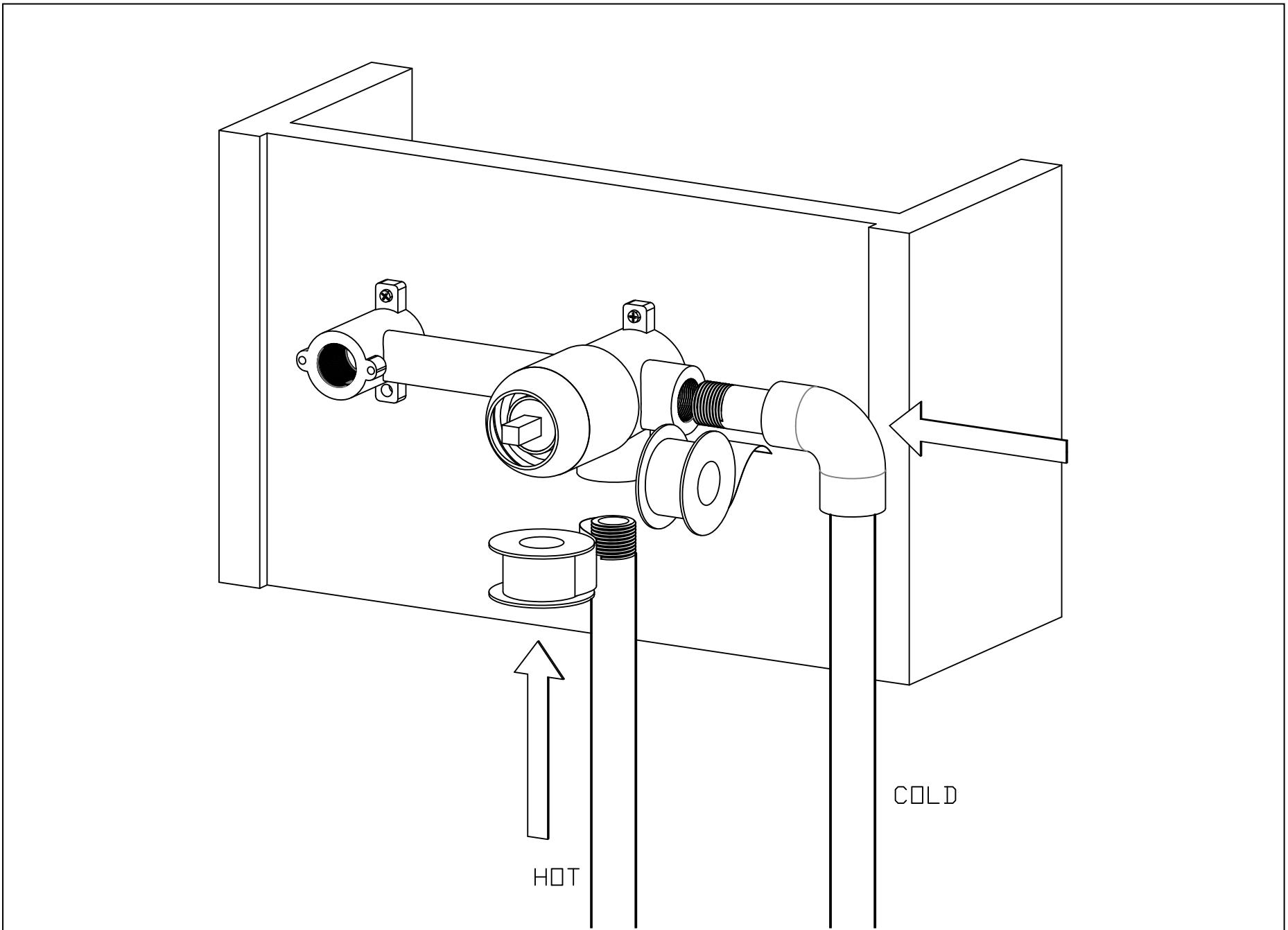
4.2 Secure the rough-in valve to the mounting rack with screws (screws not including)



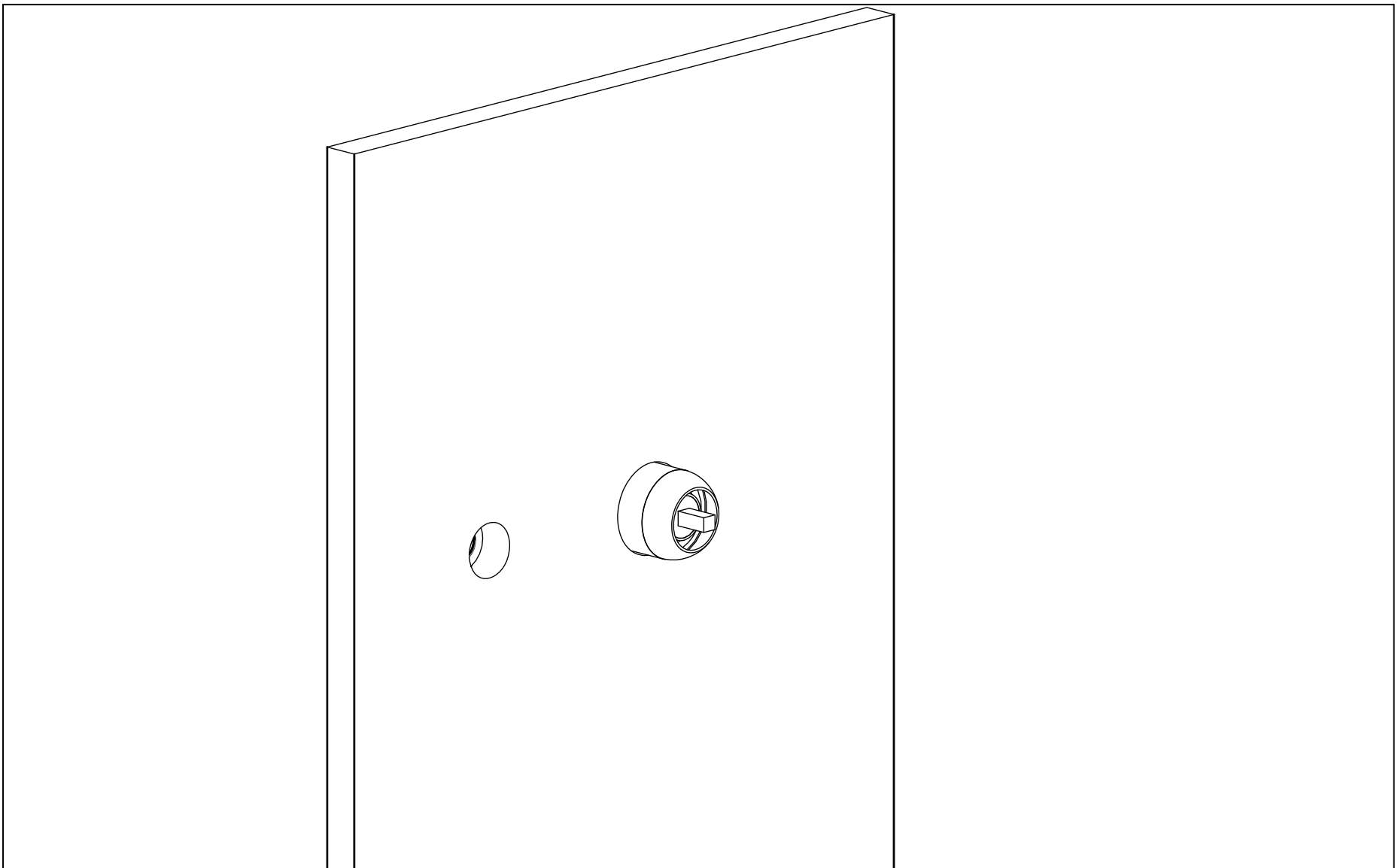
4.3 Turn on your shut-off valve for cleaning the hot and cold water supply tube before connect to the valve trim, allow the water flush 3~5 minutes to flush out dirt and debris. Shut off the water supply again after finish.



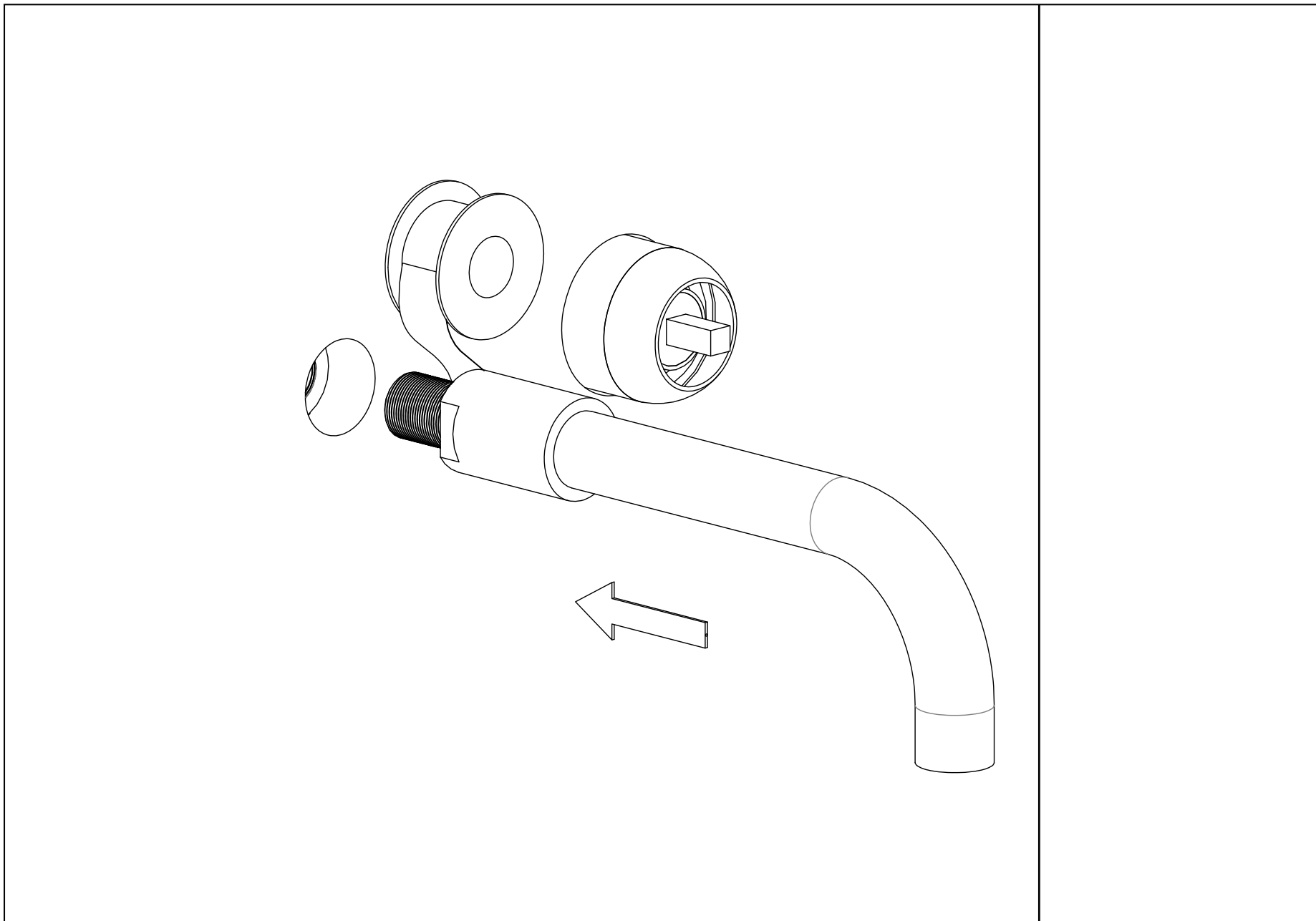
**4.4** Apply Teflon tape on the thread of supply tube outlet and then connect to rough-in valve with elbow.  
Rough-in Valve thread for Hot&Cold water inlet: G1/2" [1/2 BSPP], US, CA customers may require NPT cover to BSPP adapter for connecting (if you could find this adapter please inquiry WISTUM support center).



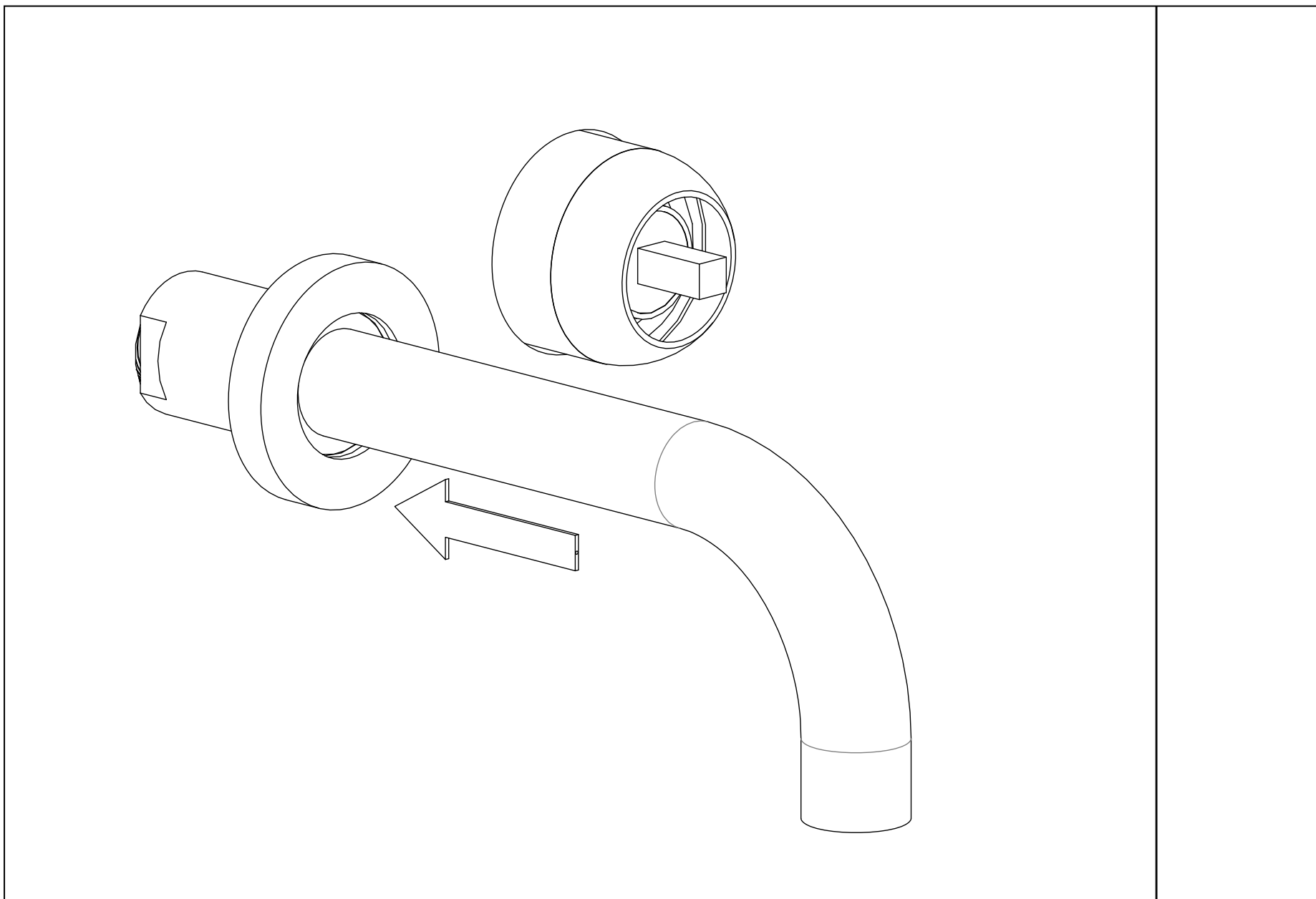
**4.5** Install the finished wall.



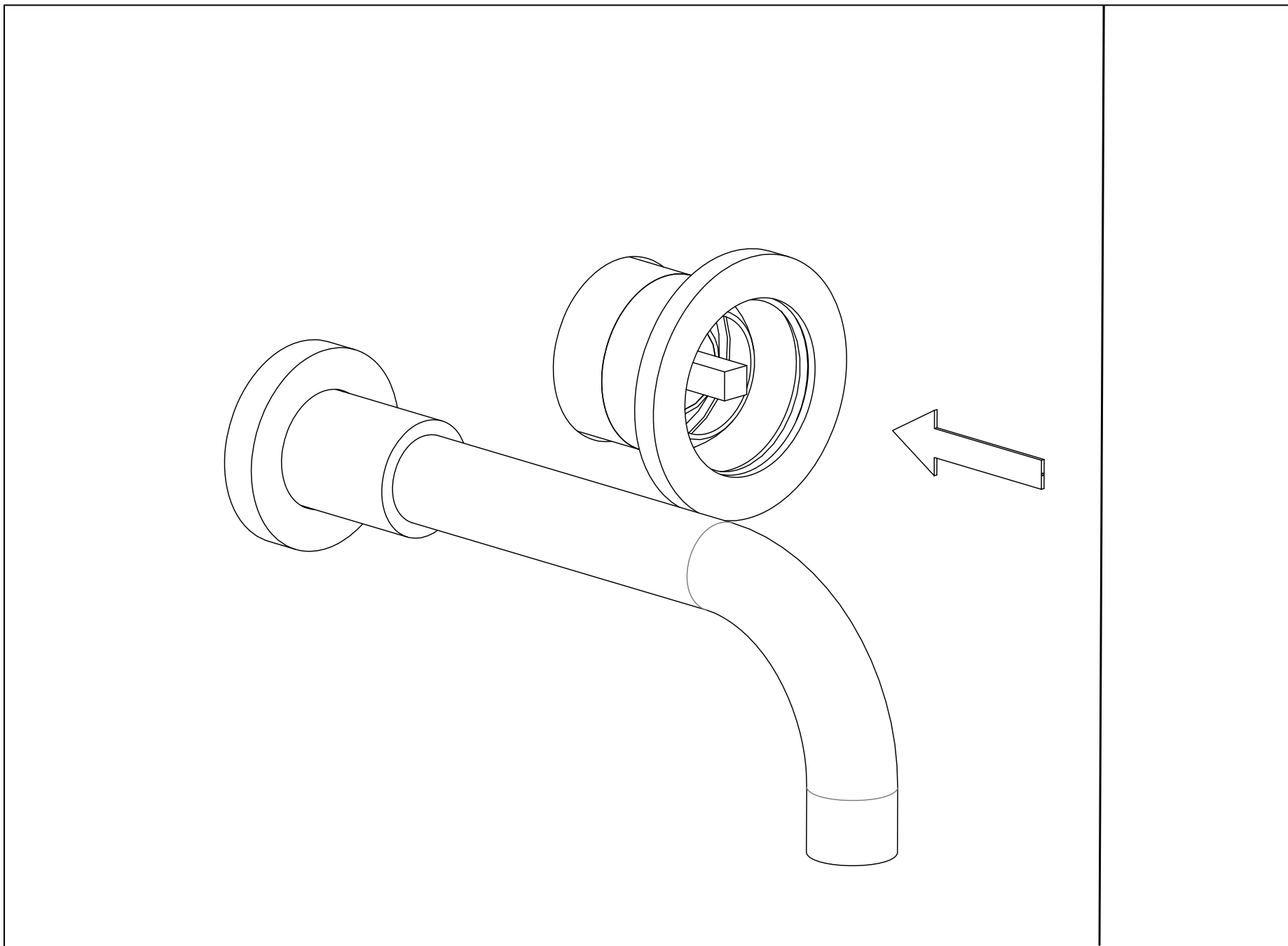
4.6 Apply Teflon tape on the thread of spout inlet and then connect to rough-in valve



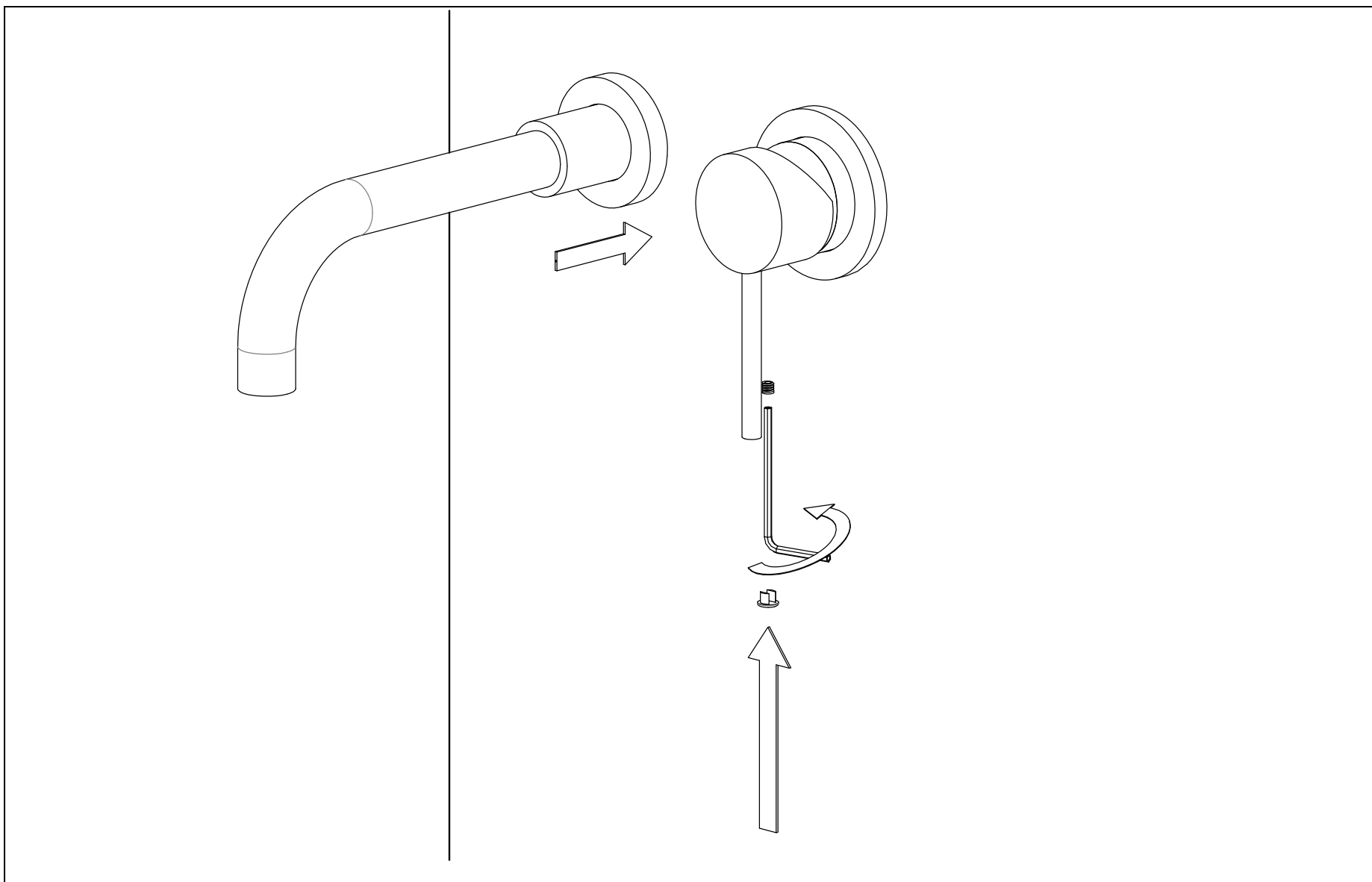
4.7 Attach the escutcheon to spout



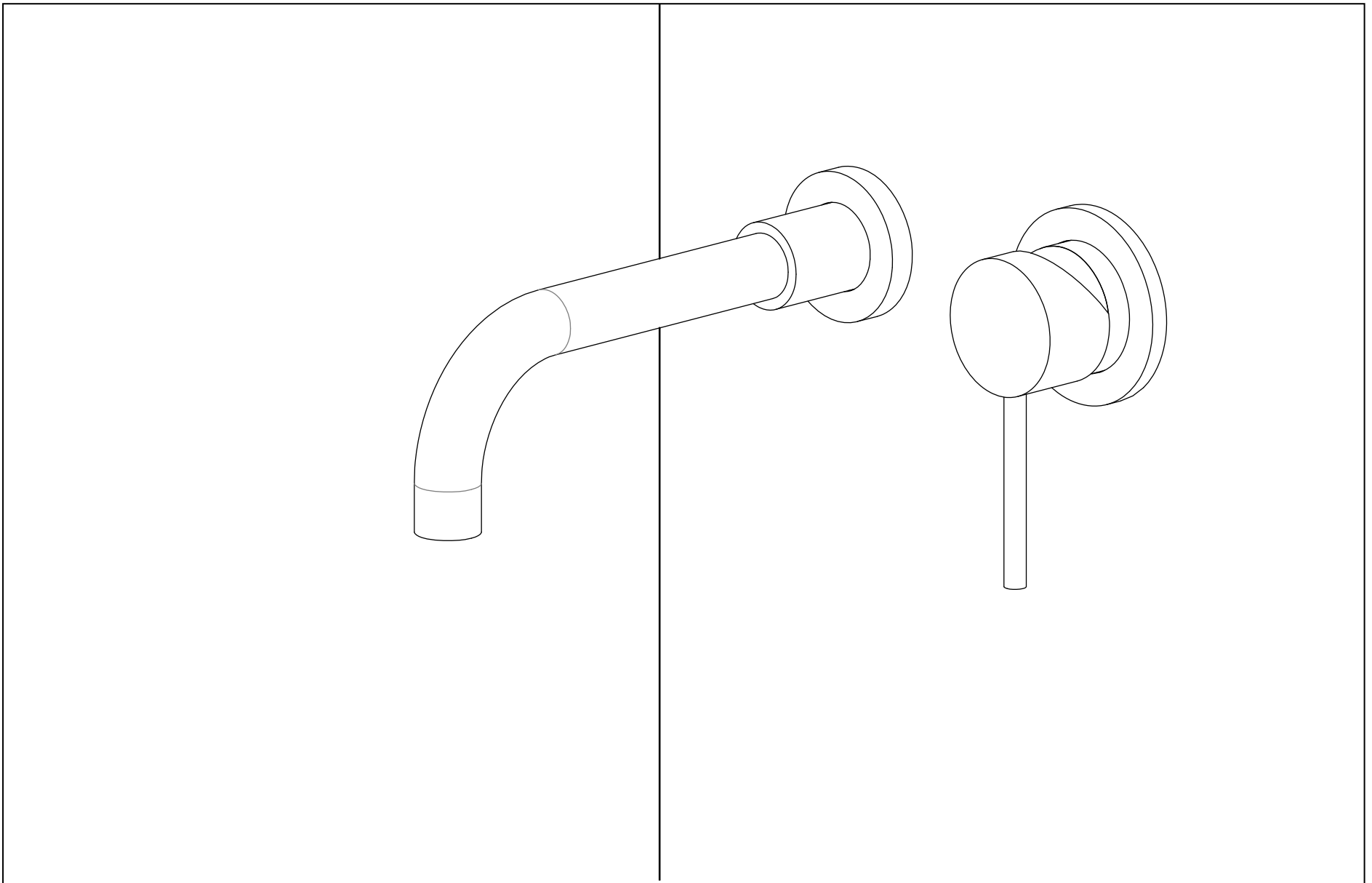
4.8 Slide the escutcheon over the sleeve and attached to the finished wall



4.9 Place handle onto the valve stem and tighten set screws by using the Allen wrench that is provided.(Please don't over tighten), Then attach the screw cover onto handle.



**ASSEMBLE FINISHED**

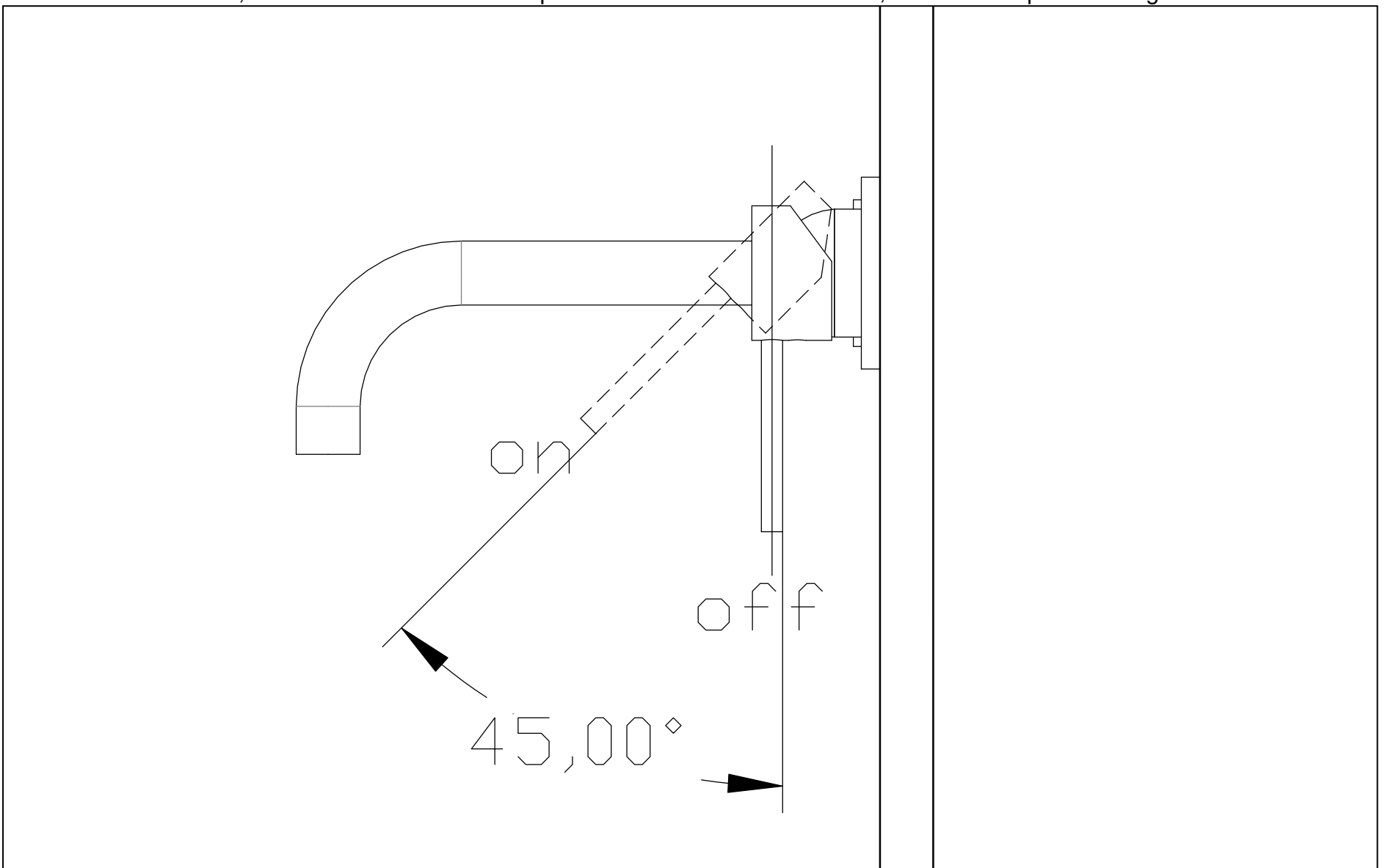


**5. INSPECTION**

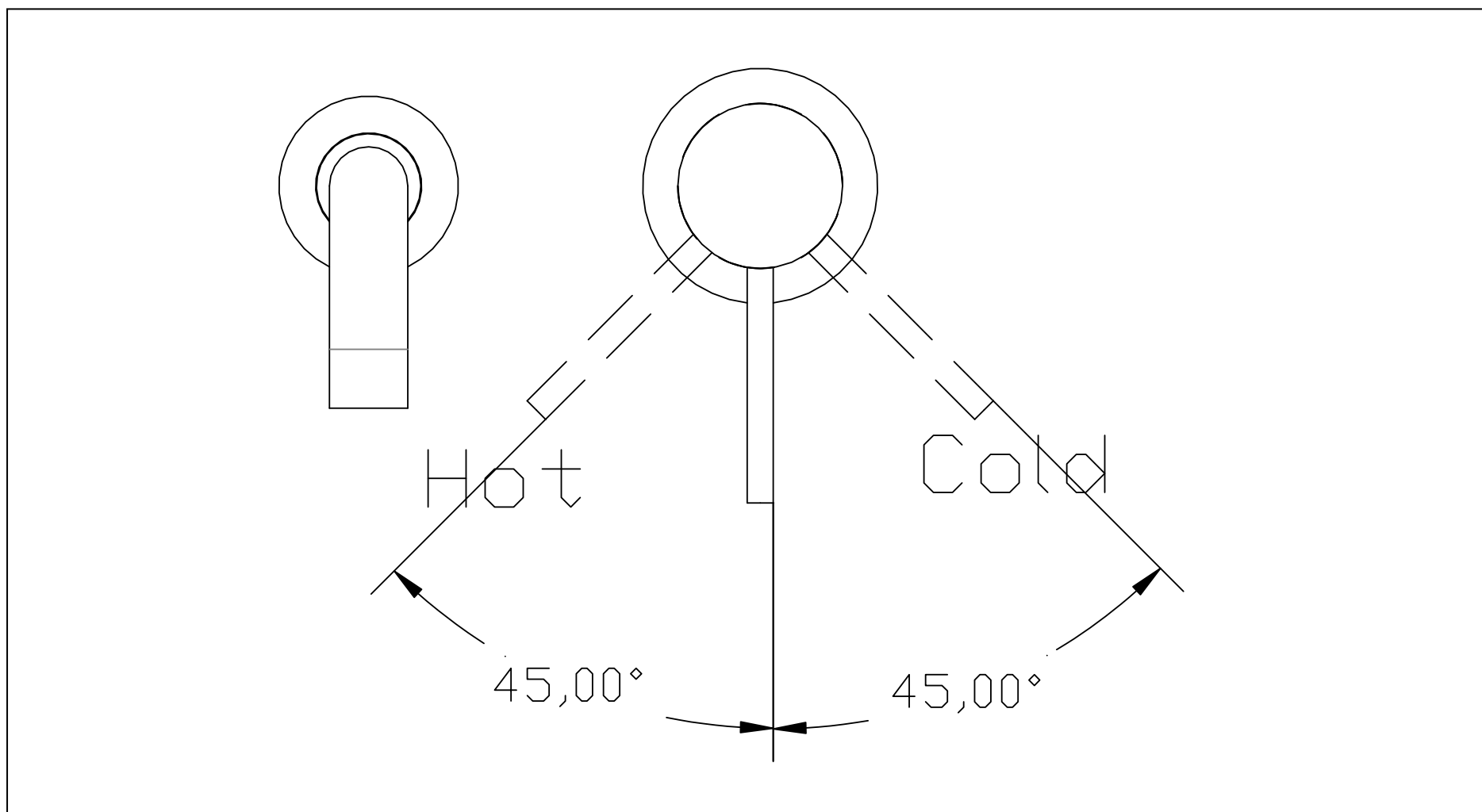
5.1 Turn on hold and cold water supply and check all connection for ensuring no leaking anywhere.

**6. FUNCTION INSPECTION**

6.1 Turn on the handle, the water outflow from the spout and then turn off the handle, the water stop out flowing.



6.2 Turn right the handle, the cold water coming, on the contrary way, turn left the handle, hot water coming.



**INSTALL FINISH**

## CLEANING RECOMMENDATION

Modern lavatory faucets, kitchen faucets, and showers consist of very different materials to comply with the needs of the market with regard to design and functionality. To avoid damage and returns, it is necessary to consider certain criteria when cleaning.

### Cleaning Materials for faucets and showers

Acids are a necessary ingredient of cleaning materials for removing lime, however please pay attention to the following points when cleaning faucets and showers:

- Only use cleaning materials which are explicitly intended for this type of application.
- Never use cleaning materials which contain hydrochloric, formic, phosphoric, or acetic acid, as they cause considerable damage.
- Never mix one cleaning material with another.
- Never use cleaning materials or appliances with an abrasive effect, such as unsuitable cleaning powders, sponge pads, or micro fiber cloths.

### Cleaning instructions for faucets and showers

Please follow the cleaning material manufacturer's instructions. In addition, pay attention to the following points:

- Clean the faucets and showers as and when required.
- Use the amount of cleaning product and the amount of time recommended by the manufacturer. Do not leave the cleaner on the fixture longer than necessary.
- Regular cleaning can prevent calcification, if scale deposits are noticed on the faucet surface or the spout, you can clean it by a commercial limescale remover, such as Lime-Away® or CLR®. Dilute the remover according to the label instructions.
- The faucets might have some rusty if your faucet under hard water condition, please rub it with aluminum foil dipped in water until the surface is nice and smooth, and wipe it use a small amount of chrome polish or maybe something like car wax (such as Meguiar®, Turtle Wax®) or polish.
- For stainless steel faucet and spout both made of solid stainless, normally this finish has not protective coating on it (in particular waterfall spout inside), stainless steel is by its material nature very tarnish resistant, but by no means tarnish or stain proof. This finish might oxidize naturally over time and react to its environment. Keep your stainless fixture wiped clean and dry and use only a cleaner specifically made for stainless steel (such as Weiman®, CLR®).
- When using spray cleaners, spray first onto a soft cloth or sponge, never spray directly onto the faucet as droplets can enter openings and gaps and cause damage.
- After cleaning, rinse thoroughly with clean water to remove any cleaner residue.

### Important

Residues of liquid soaps, shampoos, and shower foams can also cause damage, so rinse with clean water after using.



**Please note:** if the surface is already damaged, the effect of cleaning materials will cause further damage.

**Components with damaged surfaces must be replaced or injury could result.**

**Damage caused by improper treatment is not covered under the warranty.**

## TROUBLESHOOTING

Symptom	Solution
Faucet leaks from the handle	A. Tighten the packing nut B. Replace the "O" ring or packing
The water pressure is too low	A. Make sure the water supply valves under the sink are turned on all the way B. Clean or replace the aerator C. Check plumbing system for water pressure problems
The spout sprays water all over	A. Clean or replace the aerator B. Replace the aerator washer
Water is leaking from the faucet under the sink	A. Check the water supply connections to the faucet B. Inspect the water supply lines or hoses for leaks
Handle is loose	A. Remove the cap and tighten the screw B. Locate and tighten the hex set screw C. Remove the handle and check for stripped teeth on the stem.

Wistum Armaturen GmbH

Address: Pettenkoferstr. 18

10247 Berlin

Deutschland

Tel: +49 (0)17630537708

E-mail: [supports@wistum.de](mailto:supports@wistum.de)

Web: [www.wistum.de](http://www.wistum.de)

# WISTUM