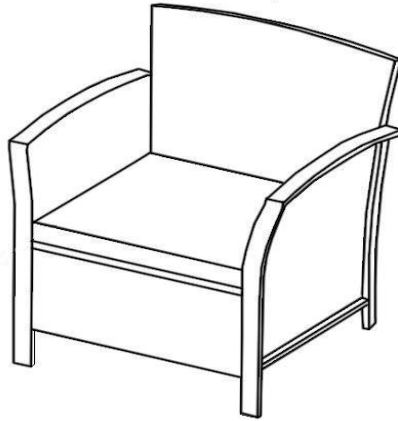



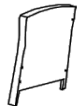
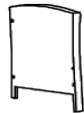
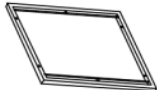

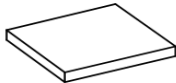
# Assembly Instructions

Caution : You must read this before you proceed





## Single Chair



### Parts List

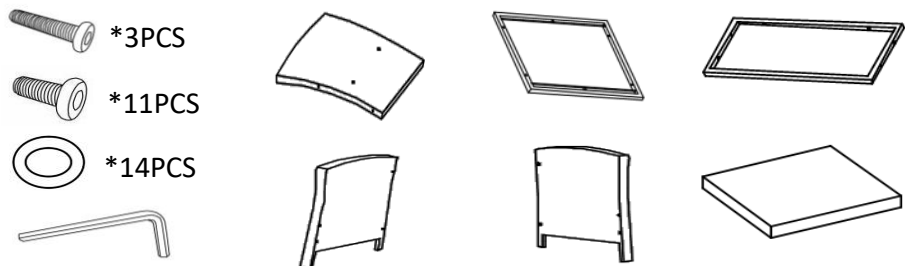
Label	Picture	Description	QTY
A		Sofa Backrest	1
B		Left Armrest	1
C		Right Armrest	1
D		Sofa Seat	1
E		Front Panel	1
F		Seat Cushion	1

# Hardware

Label	Picture	Description	QTY
①		Bolt (M6*40mm)	3
②		Washer(M6)	14
③		Allen Wrench	1
④		Bolt (M6*35mm)	11

# Assembly Preparation

Before Beginning Assembly:



- Read instructions, cover to cover-



- Have 2 adults on hand for assembly-



- Do not assemble on flooring or carpet-



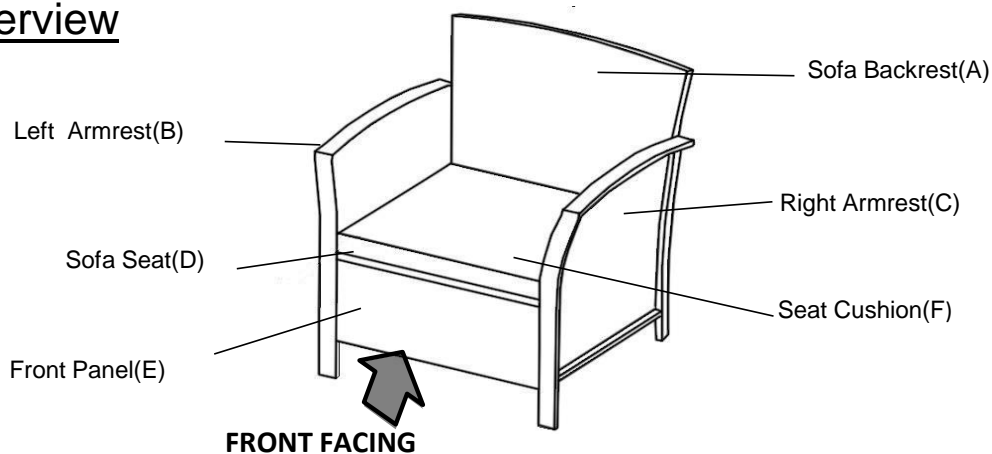
- Assemble on a clean non-marring surface (packing foam)-



- Save all packaging until finished-

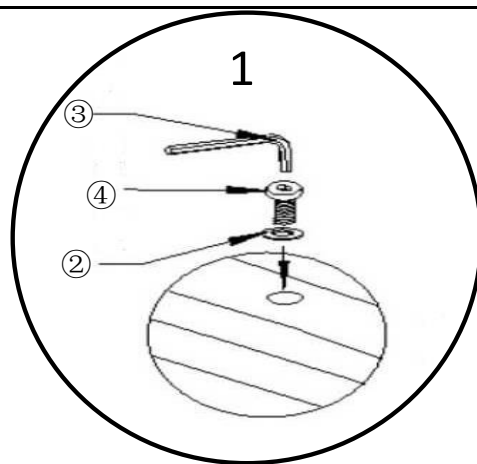
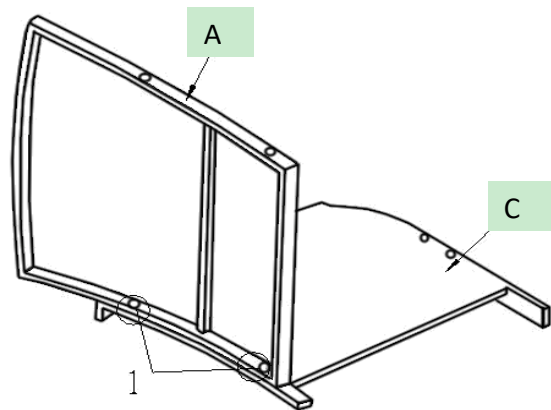
# Assembly Steps

## Overview



This Single Sofa has multiple parts and may require up to some 30 minutes to assemble. To give you an overview of the Single Sofa parts, the above picture is to help you put the various parts into perspective. Please read through the instructions herebelow to familiarise yourself with the parts and steps before assembly.

## Step 1

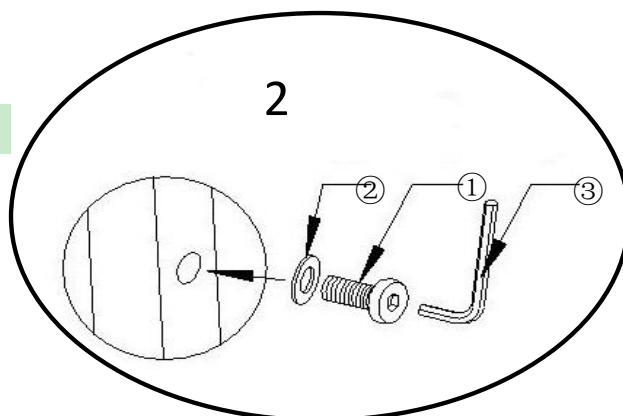
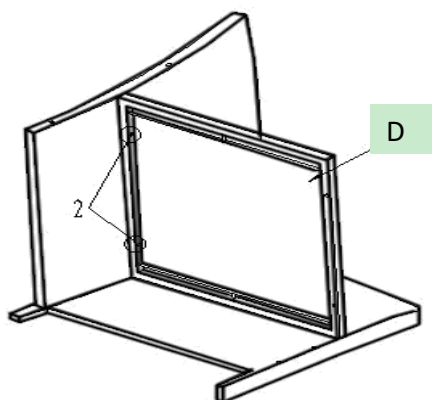


Open the carton and place all the parts onto a clean and soft surface.  
Unpack all packages of hardware.  
Place the Right Armrest (C) with its inside facing skywards.  
Attach Backrest(A) to Right Armrest(C) using Bolt(4) and Washer (2) with Allen Wrench(3)

**Do not fully tighten at this stage.**

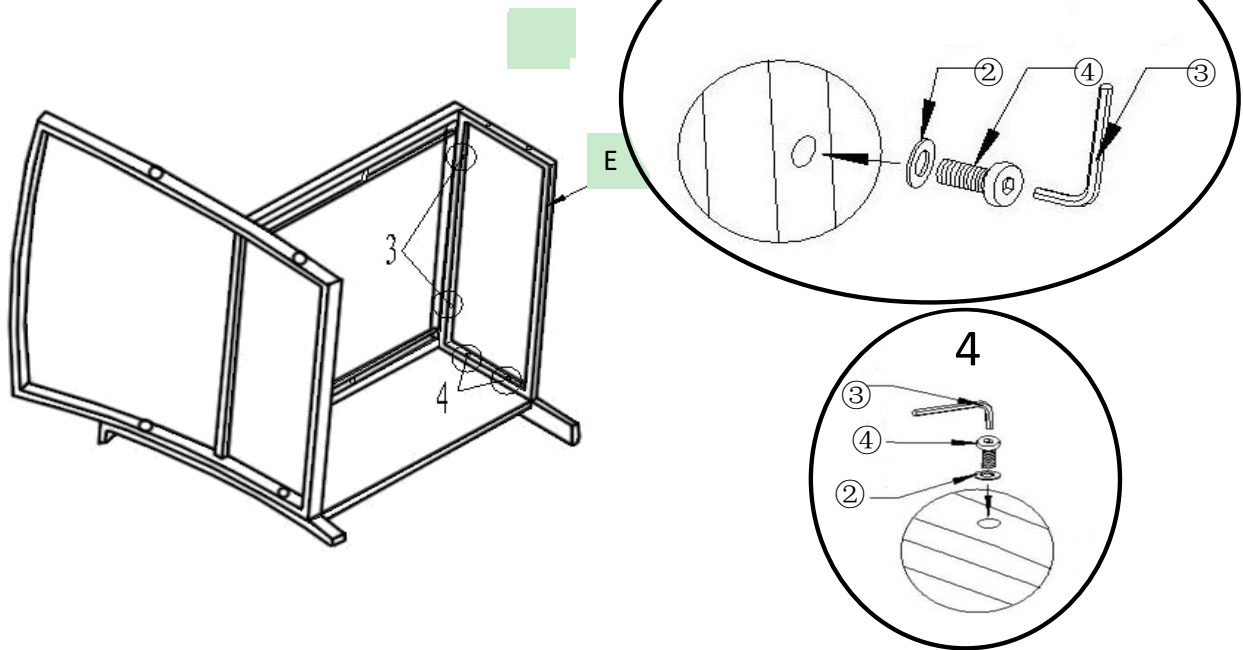
**Occasionally some of the PE wicker shifts and covers the mounting positions preventing easy assembly; the PE wicker should never be cut, but moved away from the mounting positions.**

## Step 2



Place the Seat(D) between the Right Armrest(C) and Backrest(A).  
Attach Seat(D) to Right Armrest(C) using Bolt(1) and Washer(2) with Allen Wrench( 3 ).  
**Do not fully tighten the bolts.**

### Step 3

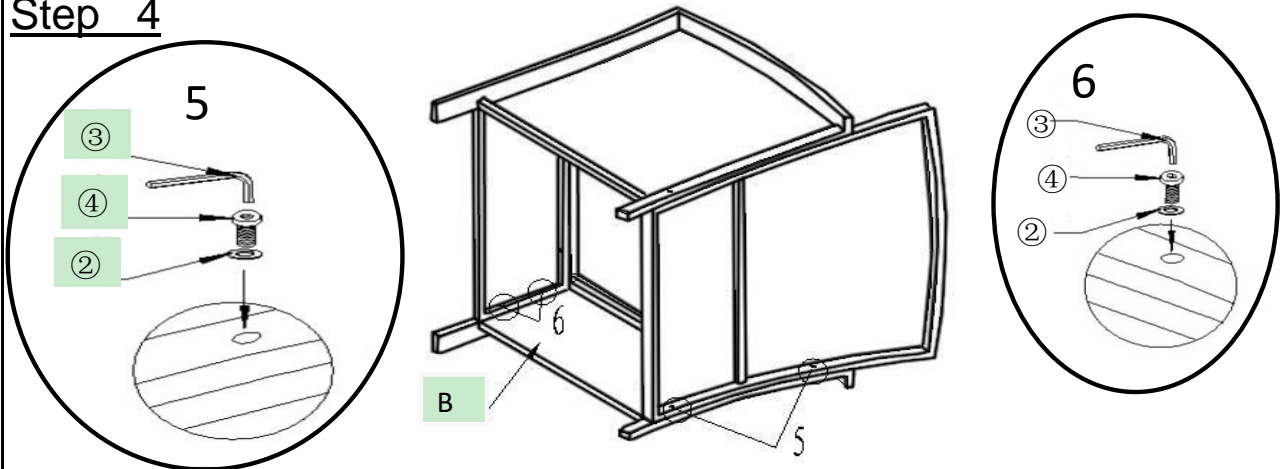


Place Front Panel(E) between Seat(D) and Right Armrest(C).

Attach Front Panel (E) to Seat(D) using Bolt(4) and Washer(2) with Allen Wrench( 3 ) as shown in Picture 3 and Picture 4

**Do not fully tighten at this stage.**

### Step 4

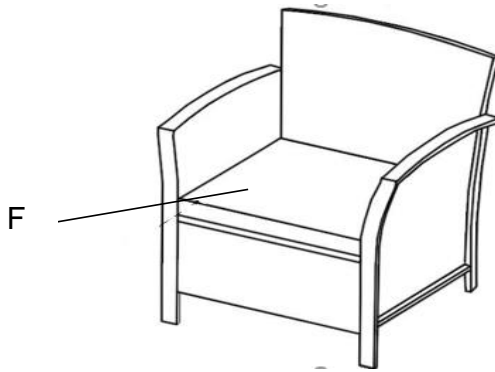


Place Left Armrest(B) against Backrest(A), Seat(D) and Front Panel(E).

Attach the Left Armrest(B) to Backrest(A) using Bolt(4) and Washer(2) with Allen Wrench ( 3 ) as shown in Picture 5. Attach Left Armrest(B) to Front Panel(E) using Bolt(4) and Washer(2) with Allen Wrench(3) as shown in Picture 6.

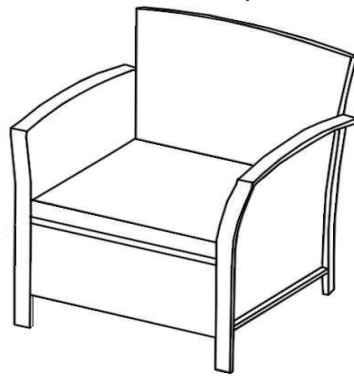
**Do not fully tighten at this stage.**

## Step 5



Fully tighten all bolts at all joints, Put the Seat Cushion(F) on the Single Sofa.












## Step 6



Your Single Sofa is ready for use.

**The Single Sofa can only be used on a flat and level surface.**

## Care & Maintenance

- ⊘  ● Prolonged exposure to rain may cause rusting which can stain floors.
- ⊘  ● Do not put hot items directly on furniture surface.
- ⊘  ● Do not clean furniture with harsh cleansers or polish.
- ✓  ● To obtain the longest lifespan of your outdoor products, minimizing exposure to direct sunlight is recommended.
- ⊘  ● Children should not climb or jump on the furniture.
- ⊘  ● Do not write on furniture without a padded barrier to protect the surface.
- ✓  ● To obtain the longest lifespan of your outdoor products, avoid extended and lengthy exposure to rain, snow, and direct sunshine. Whenever possible cover the product and /or place under patio or awnings.
- ⊘  ● Not for commercial use. For residential use only.
- ⊘  ● Stains may be removed with mild soap solution and damp cloth.
- ✓  ● Keep away from sources of ignition.
- ✓  ● Dust and pick-up spills using a clean, non-colored, lint-free cloth.