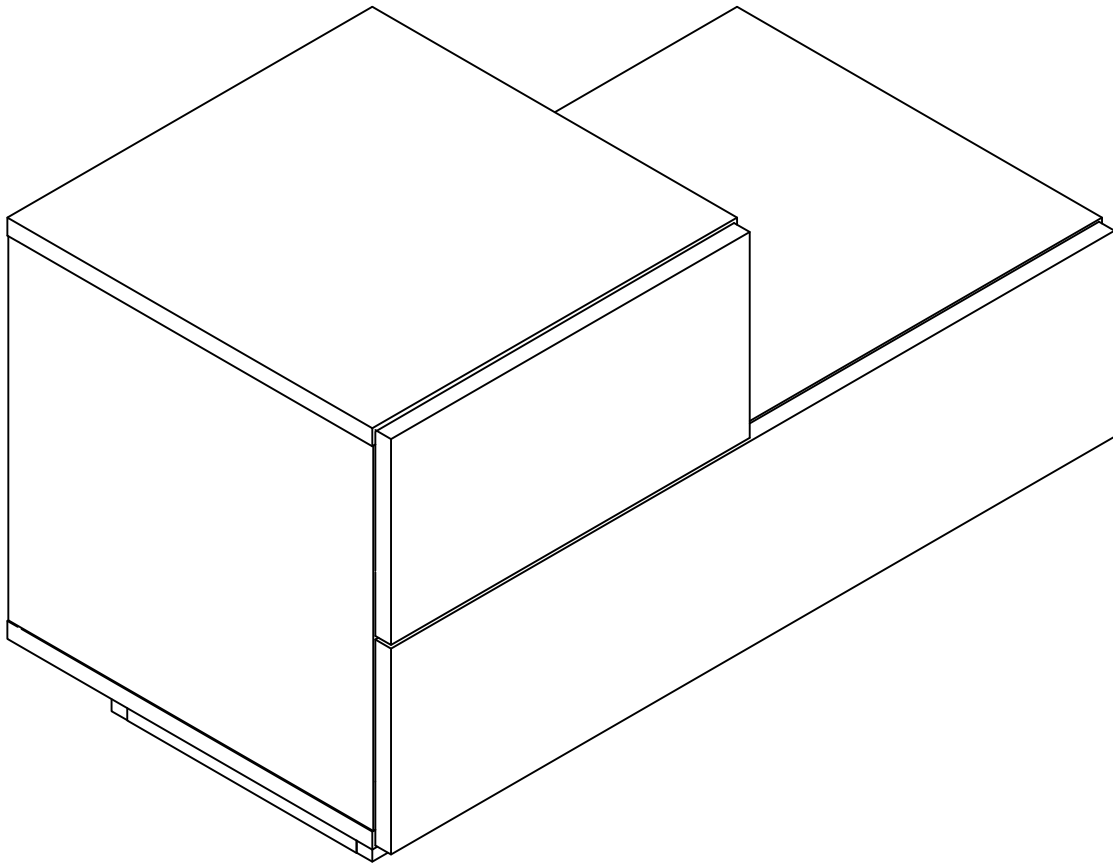
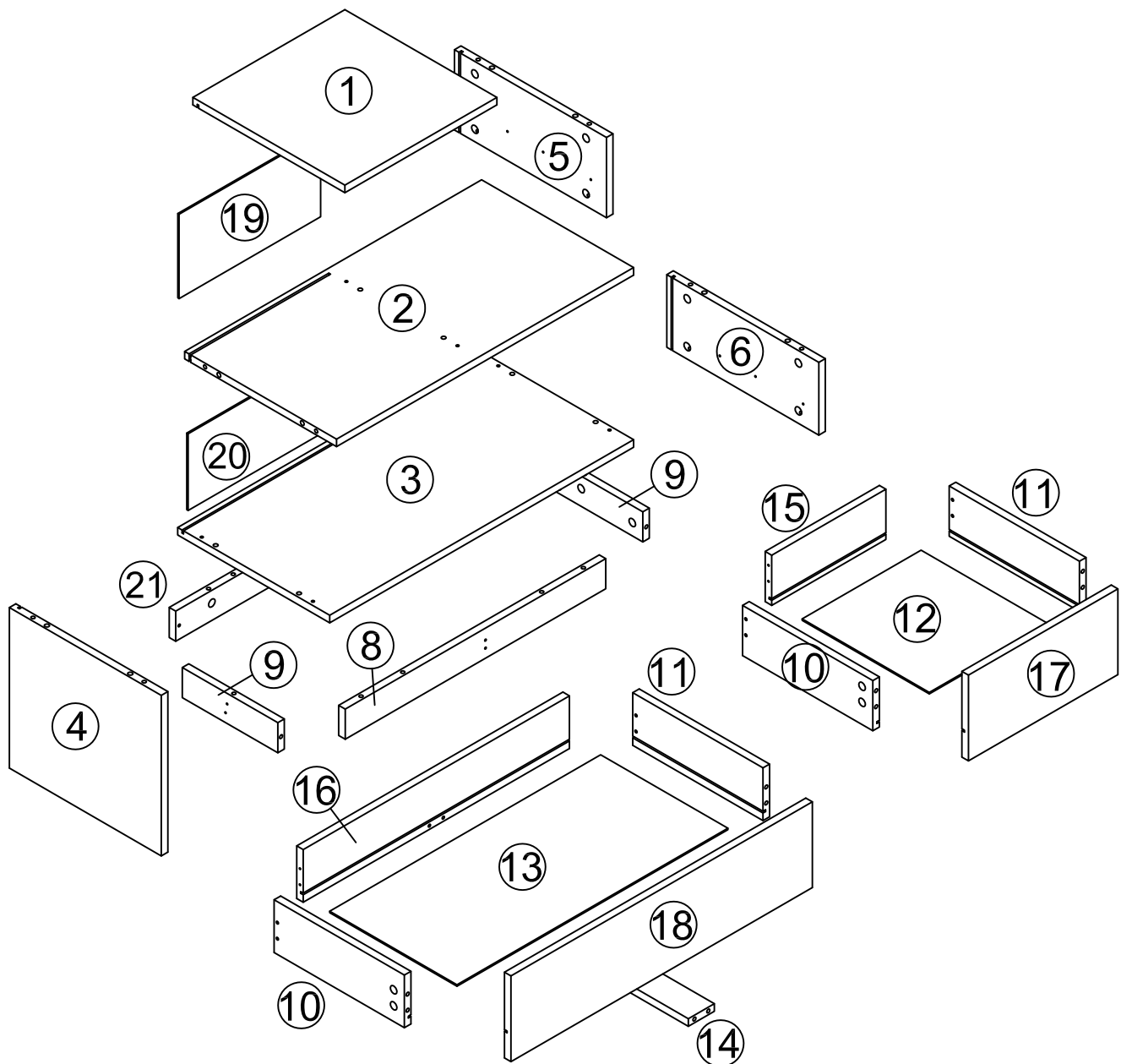


1

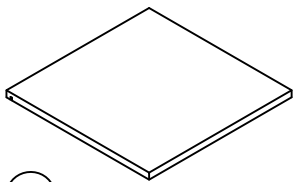
# ASSEMBLY INSTRUCTIONS



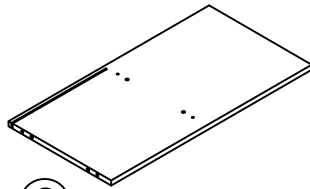
## BOARD IDENTIFICATION



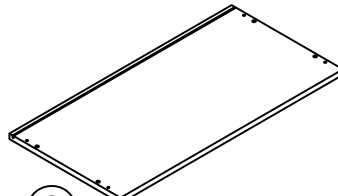
## BOARD IDENTIFICATION



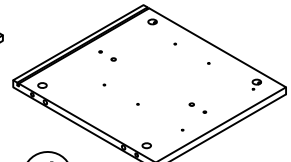
①  
MAIN PANEL  
X1



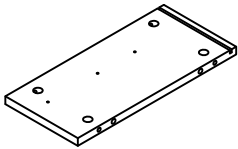
②  
FIXED PANEL  
X1



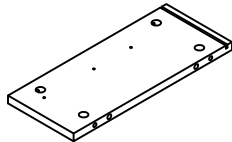
③  
BOTTOM  
X1



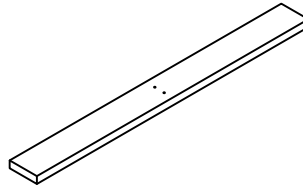
④  
LEFT SIDE PANEL  
X1



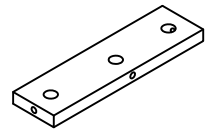
⑤  
UPPER RIGHT SIDE PANEL  
X1



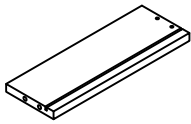
⑥  
LOWER RIGHT SIDE PANEL  
X1



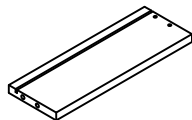
⑧  
BASE FRONT PANEL  
X1



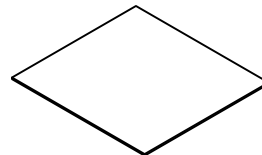
⑨  
BASE LEFT&RIGHT PANEL  
X2



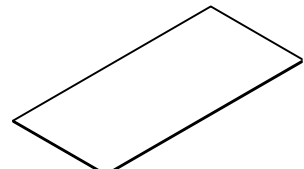
⑩  
DRAWER LEFT  
X2



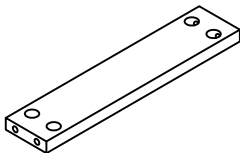
⑪  
DRAWER RIGHT  
X2



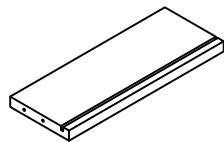
⑫  
DRAWER BOTTOM  
X1



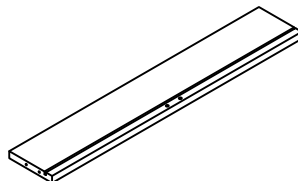
⑬  
DRAWER BOTTOM  
X1



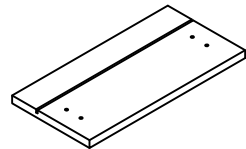
⑭  
RAIL  
X1



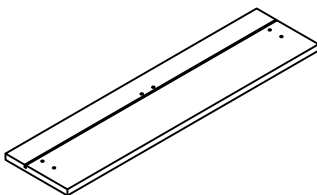
⑮  
DRAWER BACK  
X1



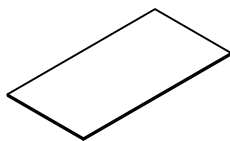
⑯  
DRAWER BACK  
X1



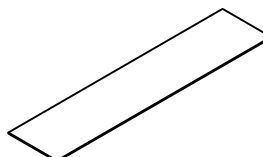
⑰  
DRAWER FRONT  
X1



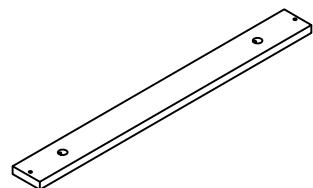
⑱  
DRAWER FRONT  
X1



⑲  
UPPER BACK PANEL  
X1



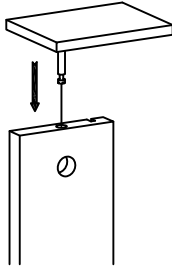
⑳  
LOWER BACK PANEL  
X1



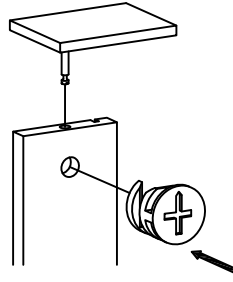
㉑  
BASE BACK PANEL  
X1

# 4

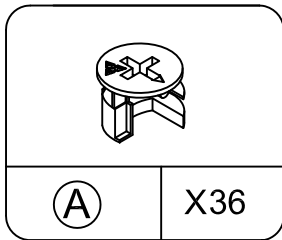
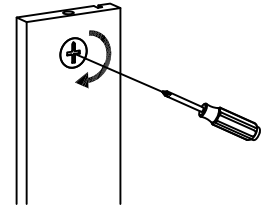
1



2



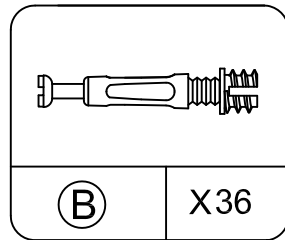
3



(A)

X36

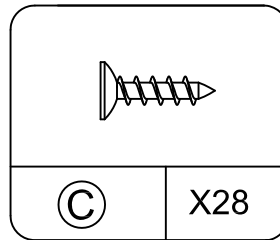
CAM LOCK  
F15\*11



(B)

X36

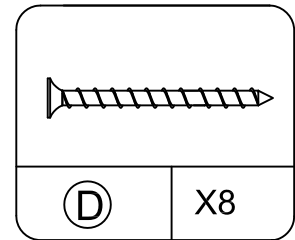
CAM BOLT  
F7\*31



(C)

X28

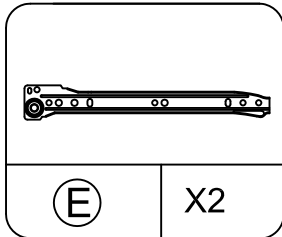
SCREW  
F3.5\*12



(D)

X8

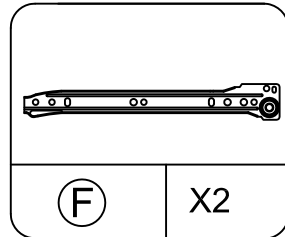
SCREW  
F4\*35



(E)

X2

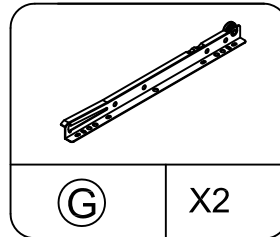
LEFT OUTER TRACK  
F20\*300



(F)

X2

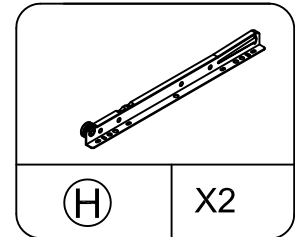
RIGHT OUTER TRACK  
F20\*300



(G)

X2

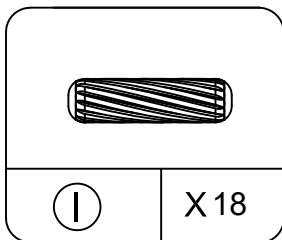
LEFT INNER TRACK  
F20\*300



(H)

X2

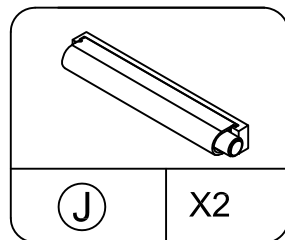
RIGHT INNER TRACK  
F20\*300



(I)

X18

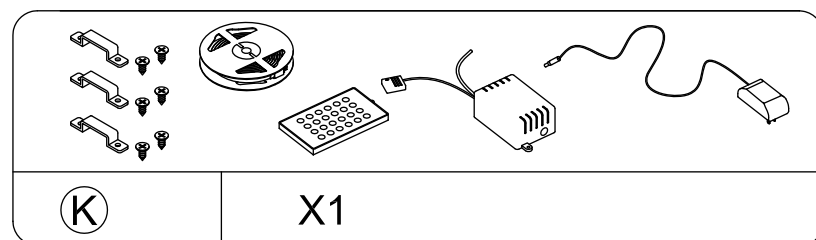
WOOD DOWEL  
F8\*30



(J)

X2

BOUNCER



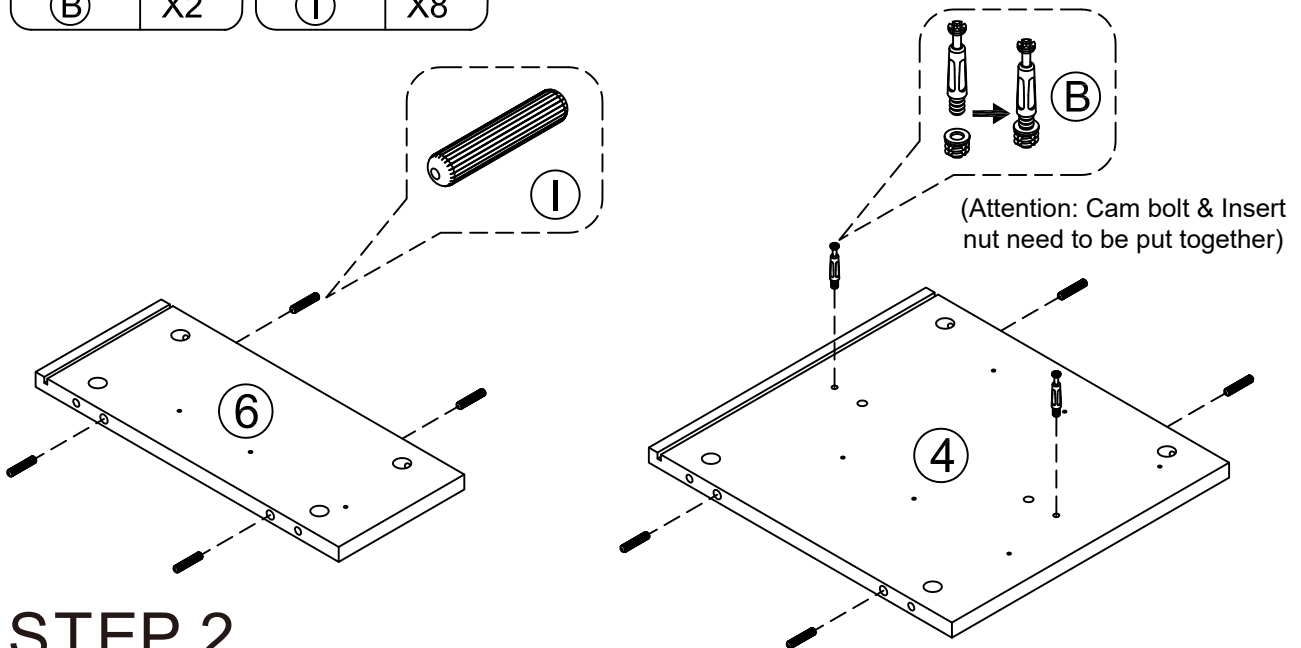
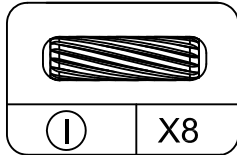
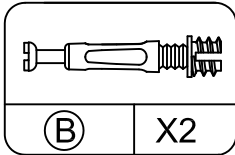
(K)

X1

LIGHT STRIP

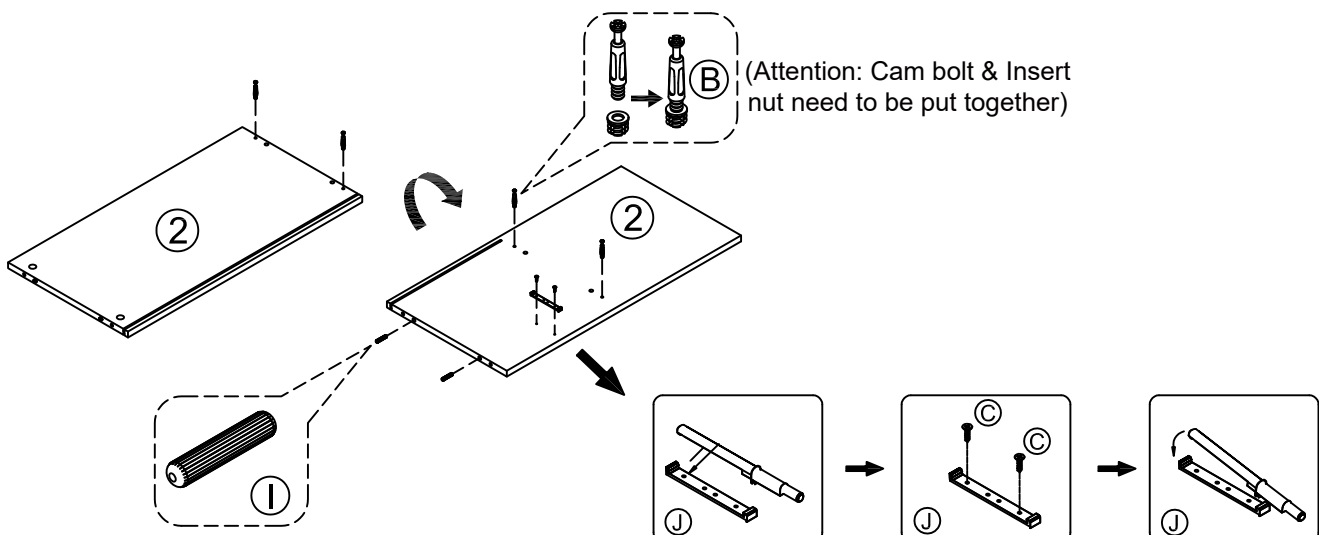
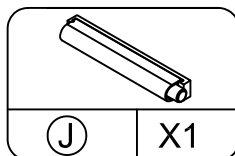
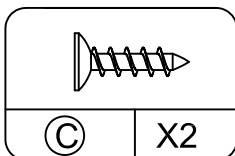
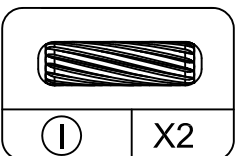
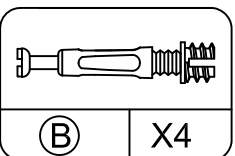
## STEP 1

- Screw cam bolts (B) into panel (4) as below shown.
- Insert wood dowels (I) into panel (4) & (6) as shown in the picture.



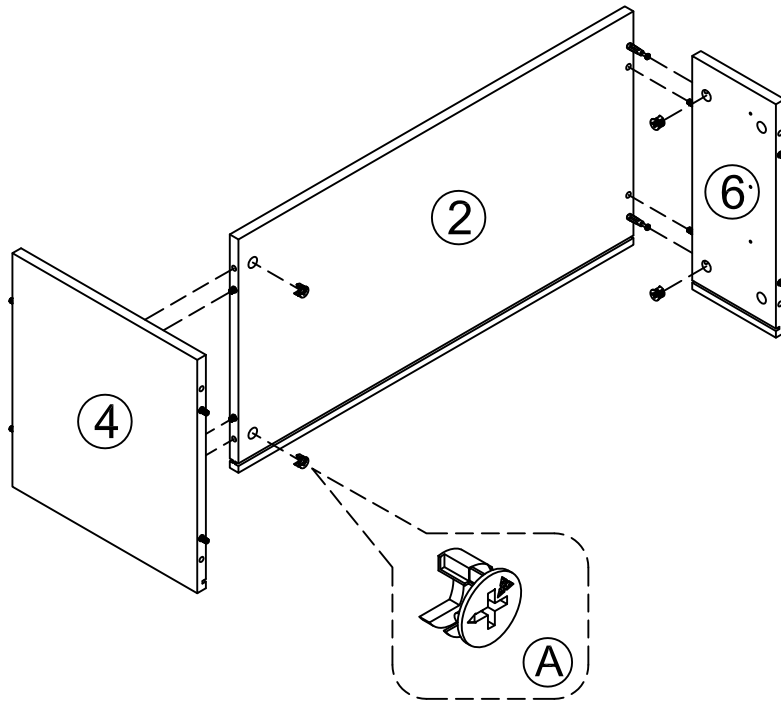
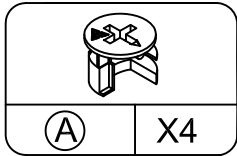
## STEP 2

- Screw cam bolts (B) into panel (2) as below shown.
- Insert wood dowels (I) into panel (2) as shown in the picture.
- Lock the rebounder (J) to the panel (2) with the screw (C) as shown in the picture.



## STEP 3

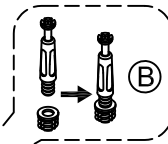
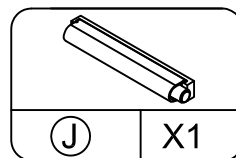
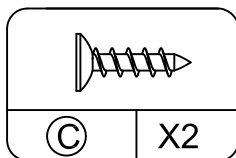
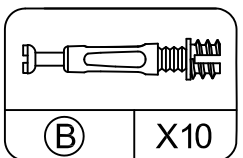
- Attach panel (4) & (6) to (2) with cam locks (A).



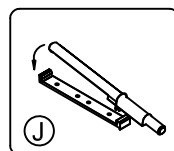
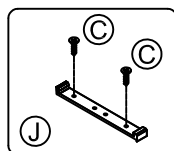
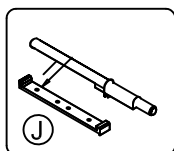
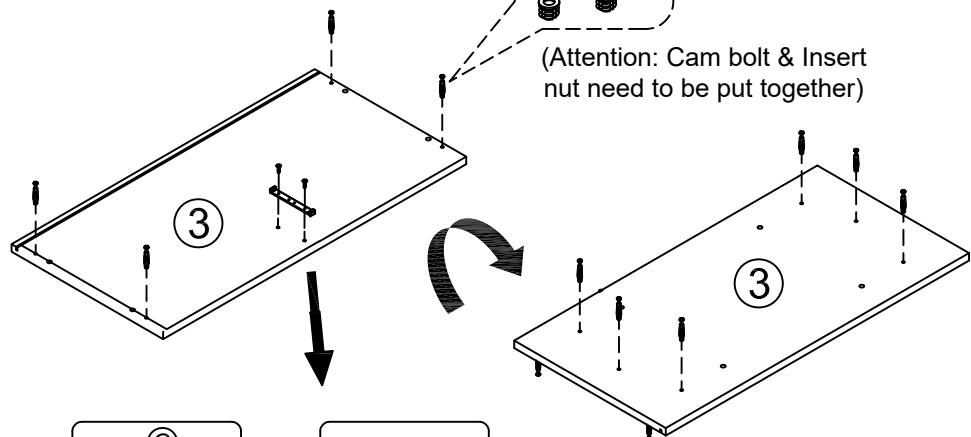
## STEP 4

- Screw cam bolts (B) into panel (3) as below shown.

-Lock the rebounder (J) to the panel (3) with the screw (C) as shown in the picture.

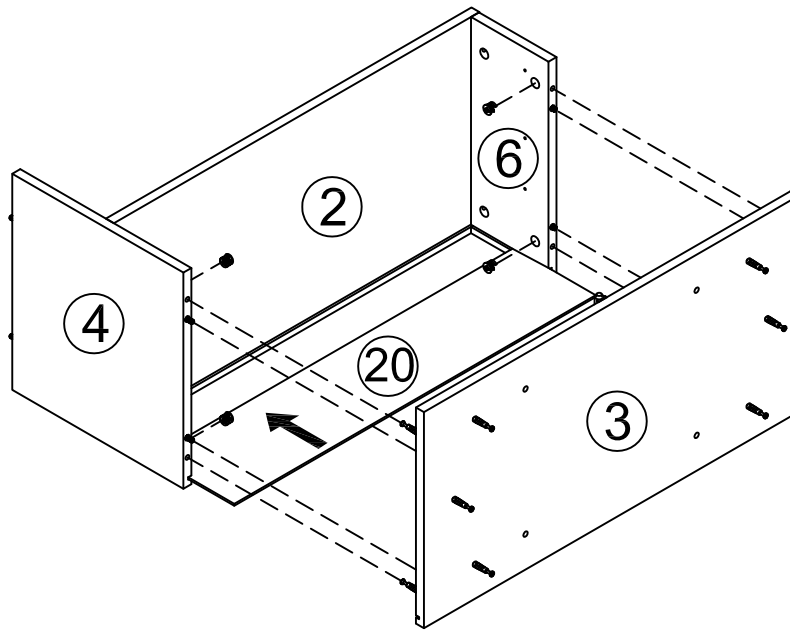
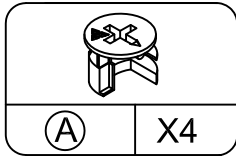


(Attention: Cam bolt & Insert nut need to be put together)



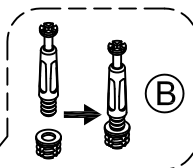
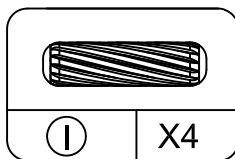
## STEP 5

- Insert (20) into the slot as below shown.
- Attach panel (3) to (4) & (6) with cam locks (A).

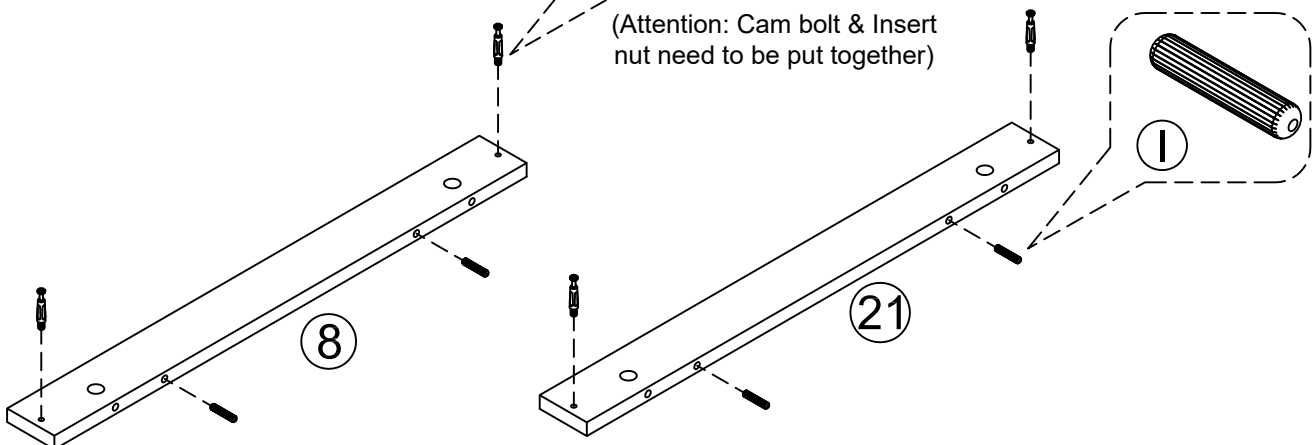


## STEP 6

- Screw cam bolts (B) into panel (8) & (21) as below shown.
- Insert wood dowels (I) into panel (8) & (21) as shown in the picture.

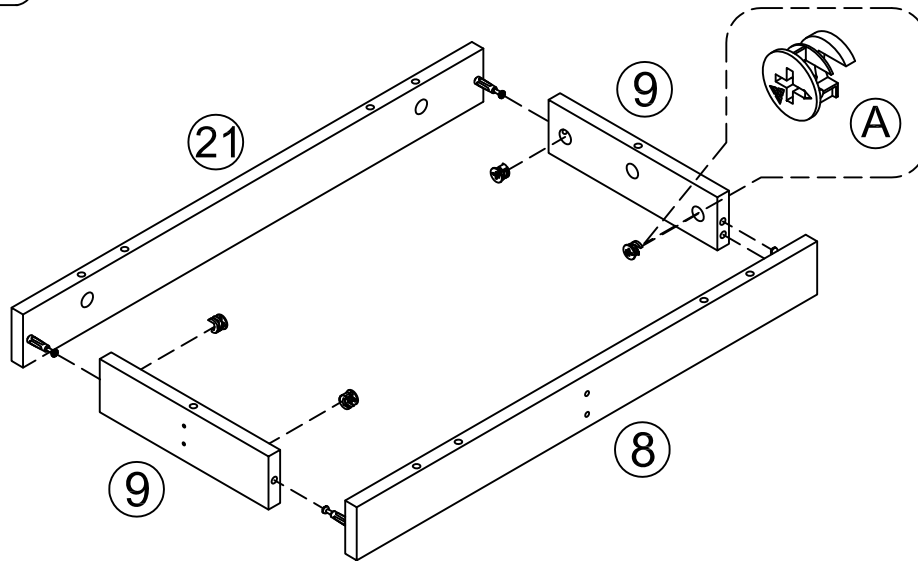
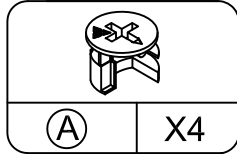


(Attention: Cam bolt & Insert nut need to be put together)



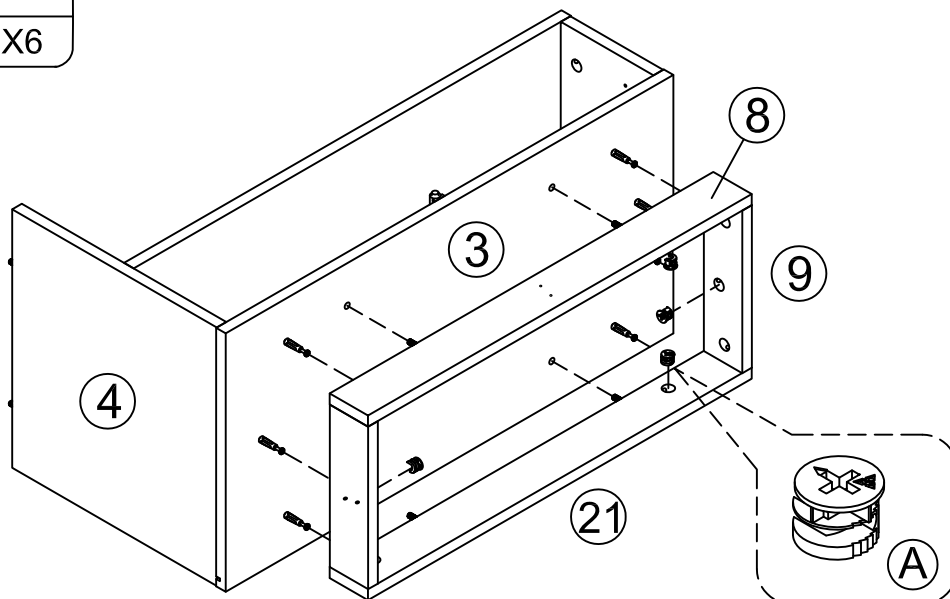
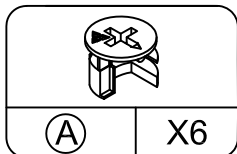
## STEP 7

- Attach panel (8) & (21) to (9) with cam locks (A).



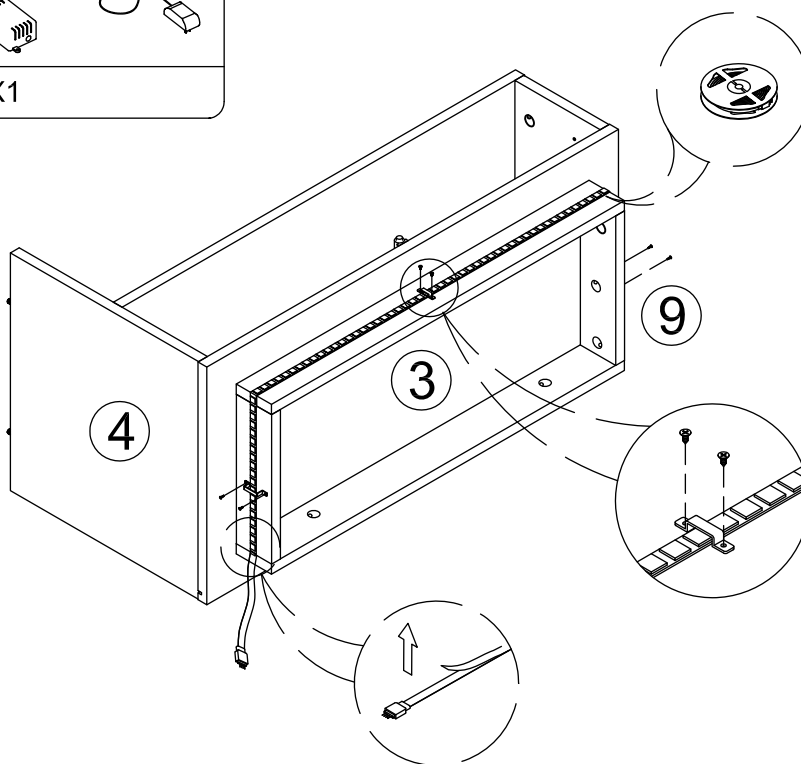
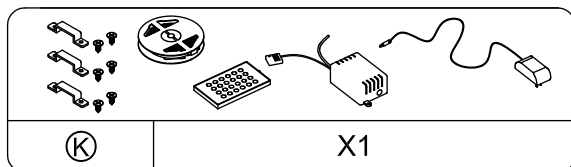
## STEP 8

- Attach panel (8) & (9) & (21) to (3) with cam locks (A).



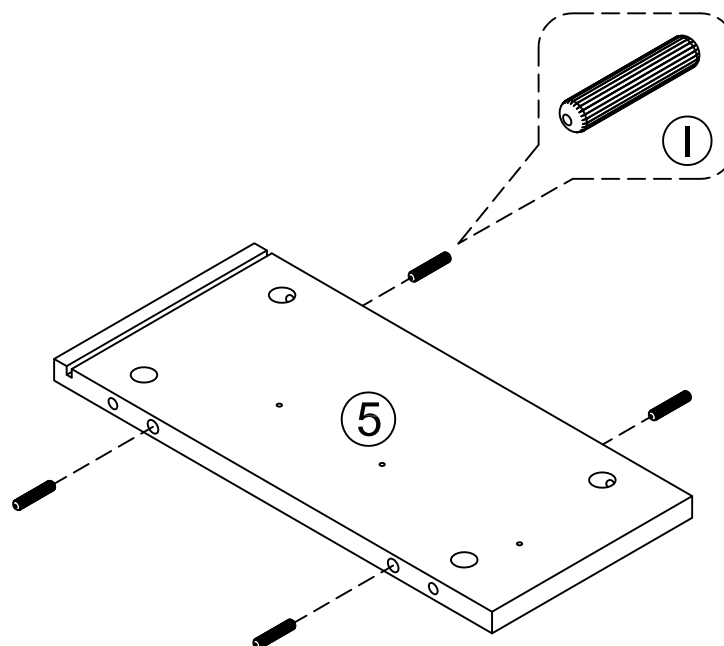
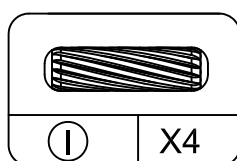
## STEP 9

- Stick LED band to the side of the base.
- Fasten the LED band with buckles.



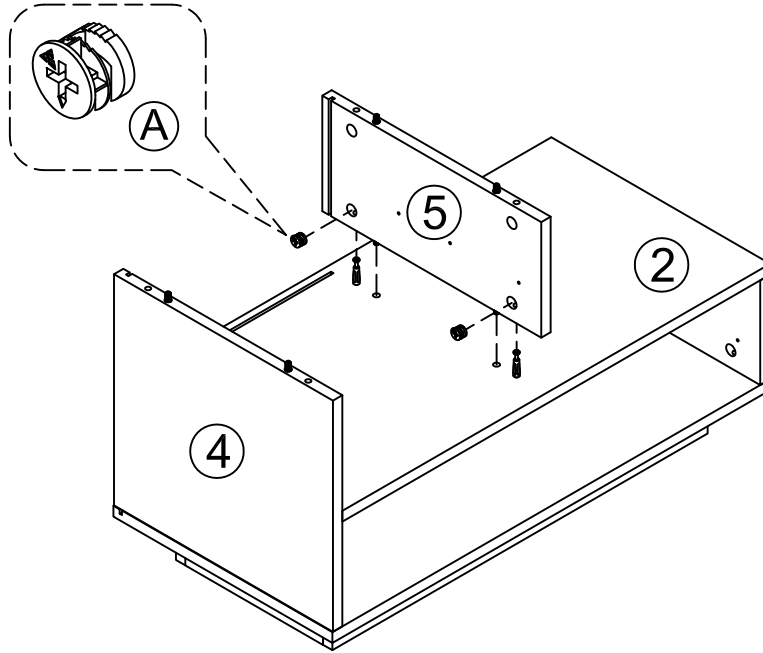
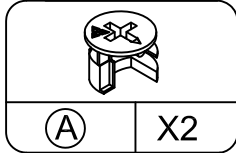
## STEP 10

- Insert wood dowels (I) into panel (5) as shown in the picture.



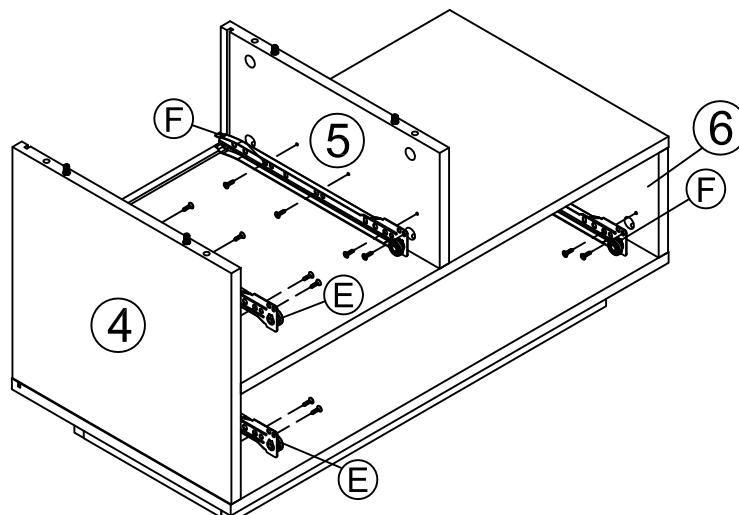
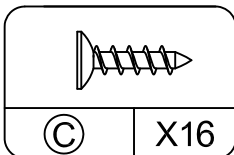
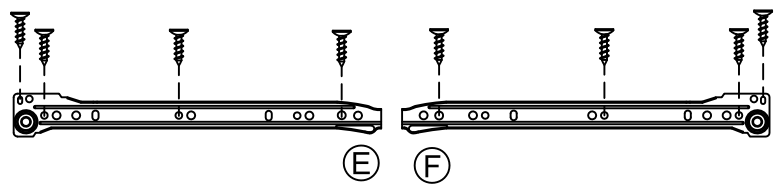
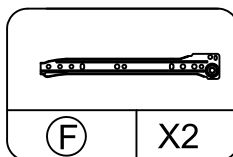
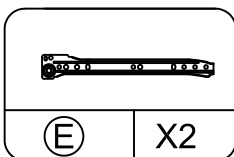
## STEP 11

- Attach panel (5) to (2) with cam locks (A).



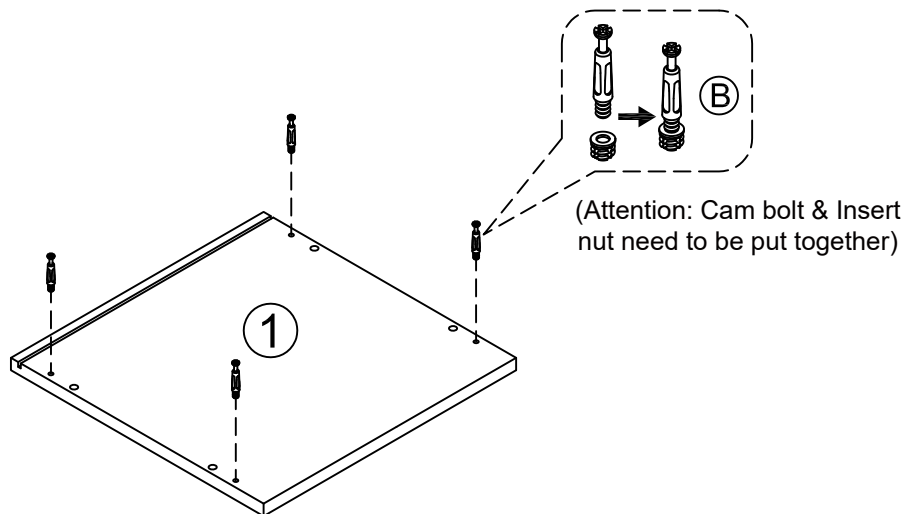
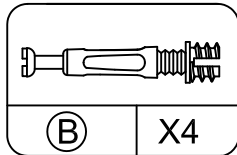
## STEP 12

- Install drawer track (E) to panel (4) with screws (C).  
 - Install drawer track (F) to panel (5) & (6) with screws (C).



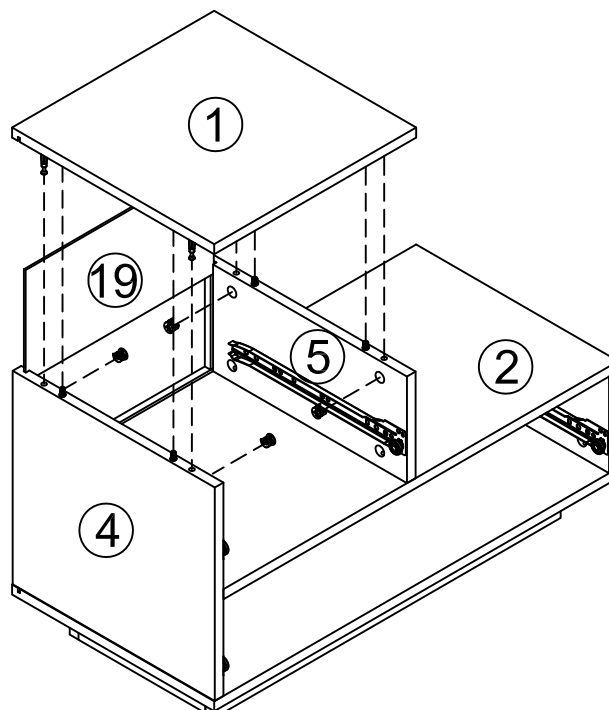
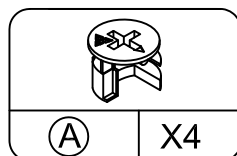
## STEP 13

- Screw cam bolts (B) into panel (1) as below shown.



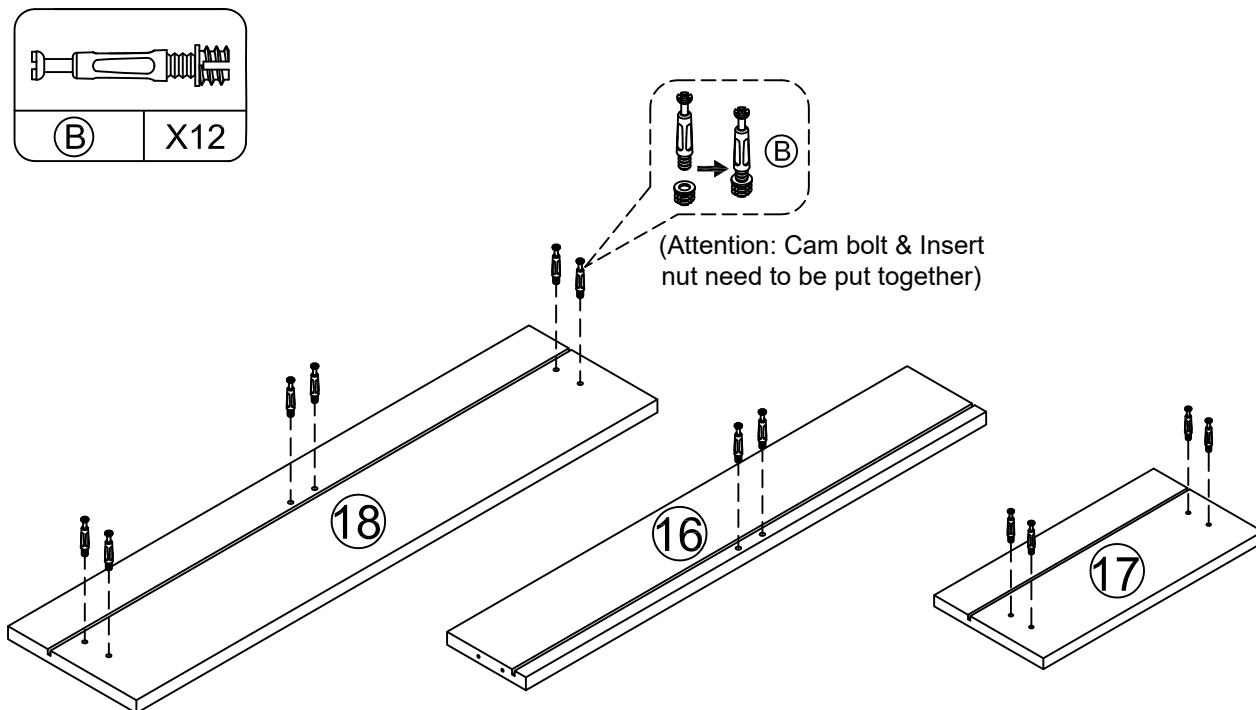
## STEP 14

- Insert (19) into the slot as below shown.  
 - Attach panel (1) to (4) & (5) with cam locks (A).



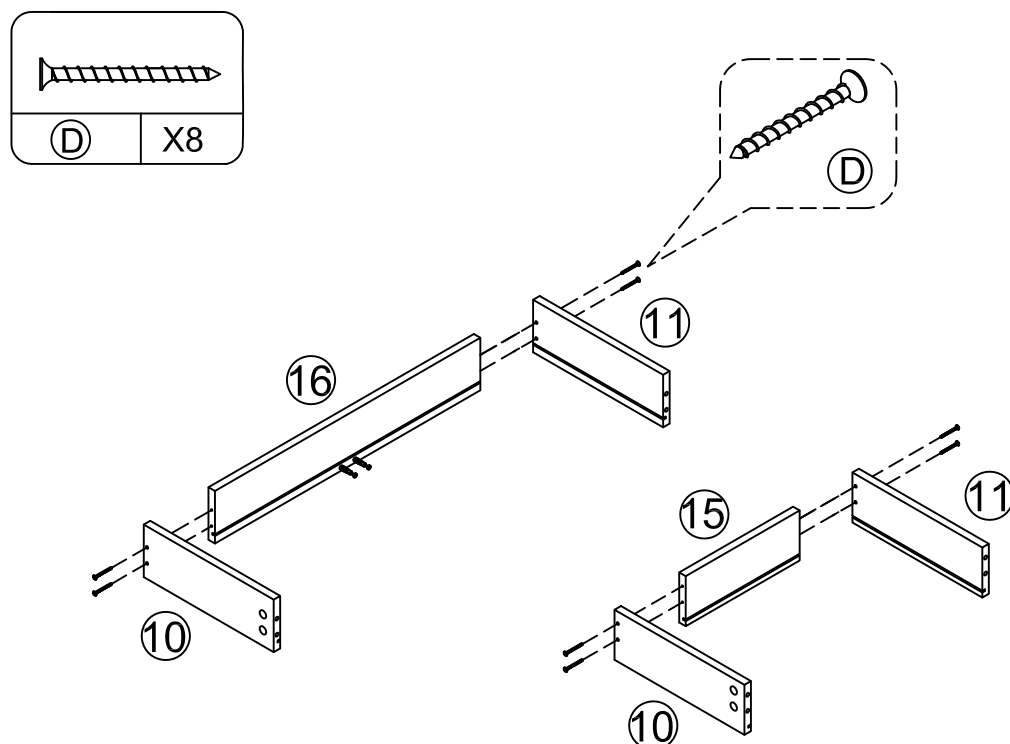
## STEP 15

- Screw cam bolts (B) into panel (16) & (17) & (18) as below shown.



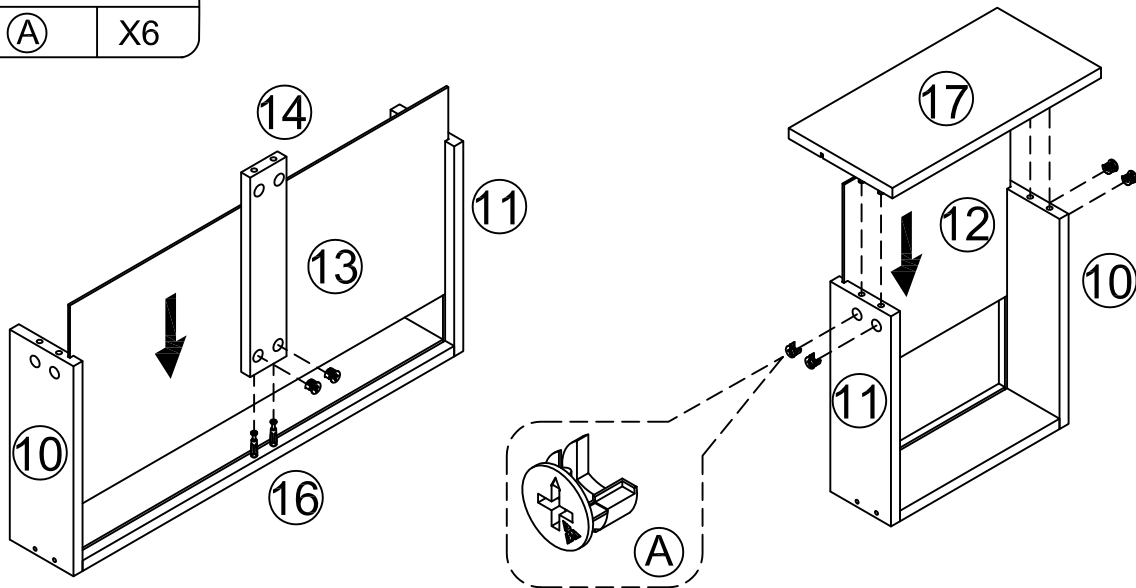
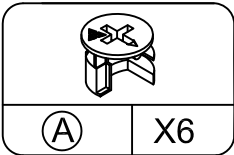
## STEP 16

- Attach panel (10) & (11) to (15) & (16) with screw (D) as shown in the picture.



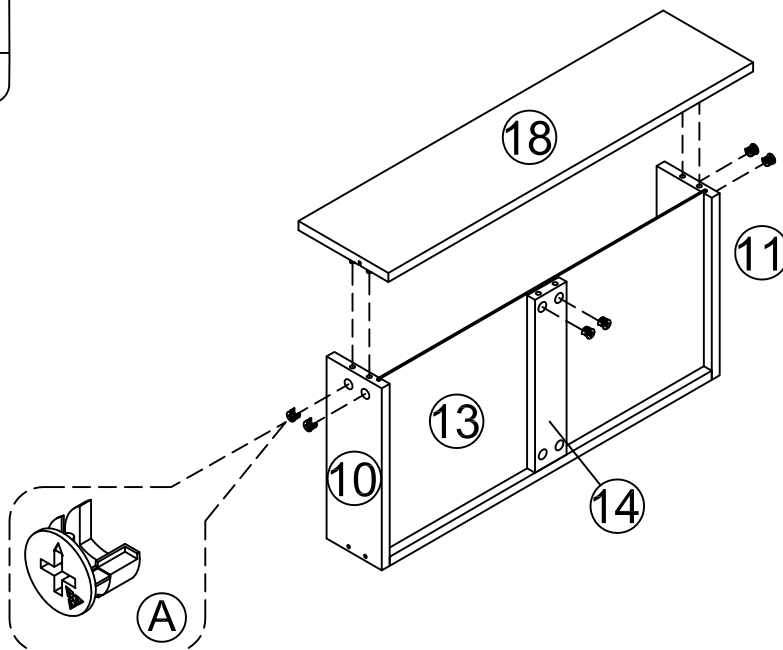
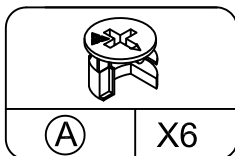
## STEP 17

- Insert (12) & (13) into the slot as below shown.
- Attach panel (13) to (16) with cam locks (A).
- Attach panel (17) to (10) & (11) with cam locks (A).



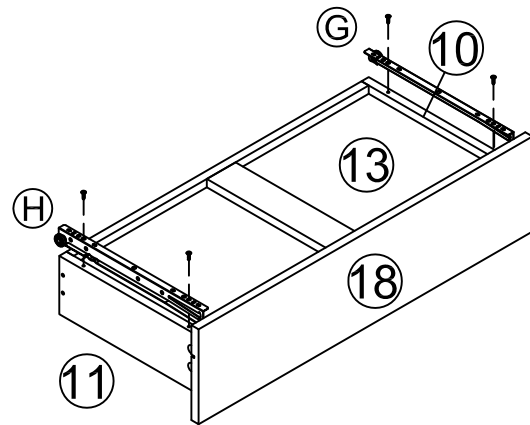
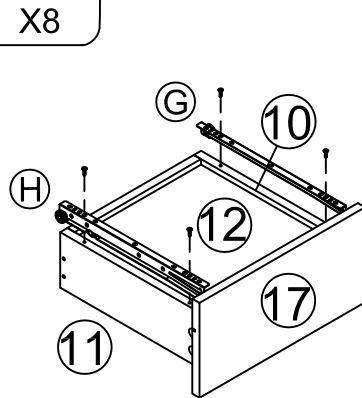
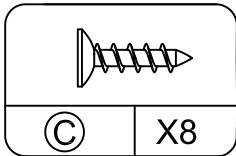
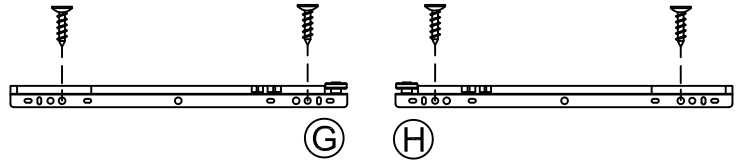
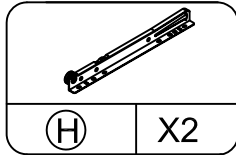
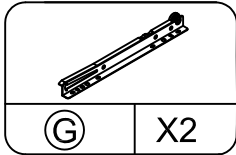
## STEP 18

- Attach panel (18) to (10) & (11) & (14) with cam locks (A).



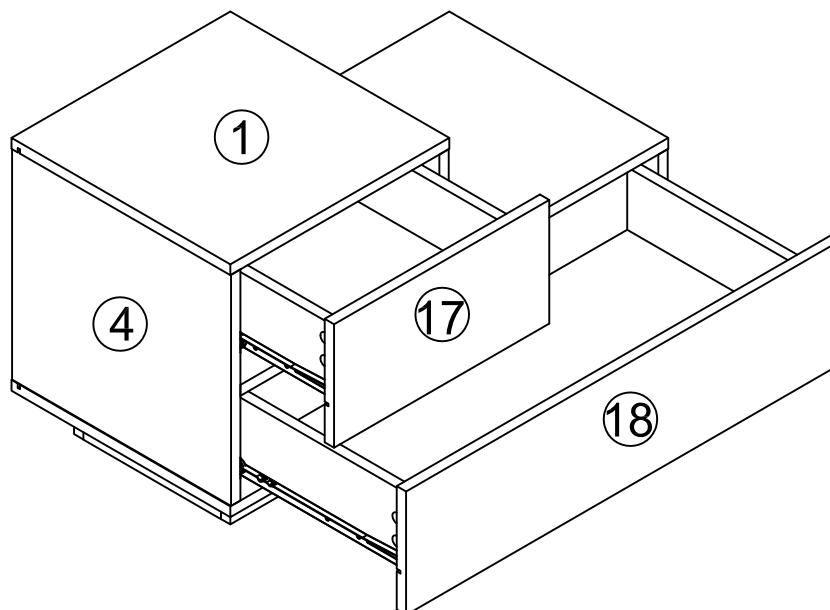
## STEP 19

- Install drawer track (G) & (H) to panel (10) & (11) with screws (C).



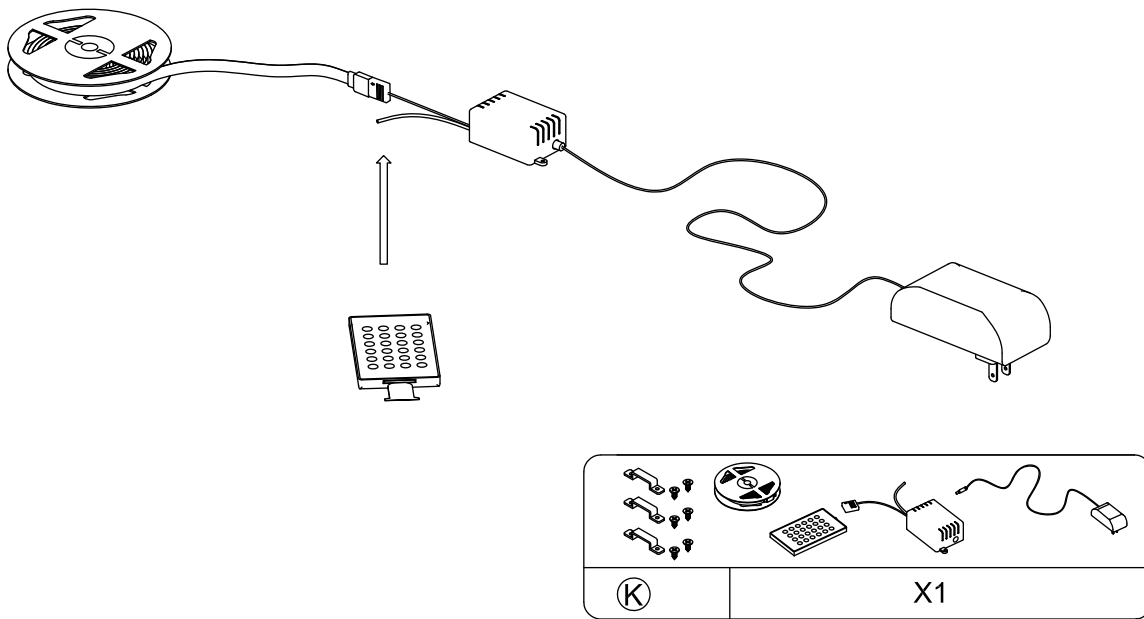
## STEP 20

- Insert the drawers.



## STEP 21

- Connected pin of LED and power adapter to the RGB control box as below.
- Remove the battery protection pad from remote controller.
- Align remote controller to the RGB Control box to adjust the color mode.
- Specifications of battery:cr2025 3v



## STEP 22

- Installation complete.

