
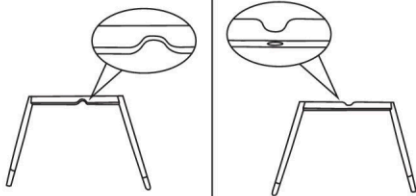
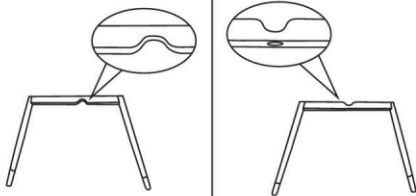




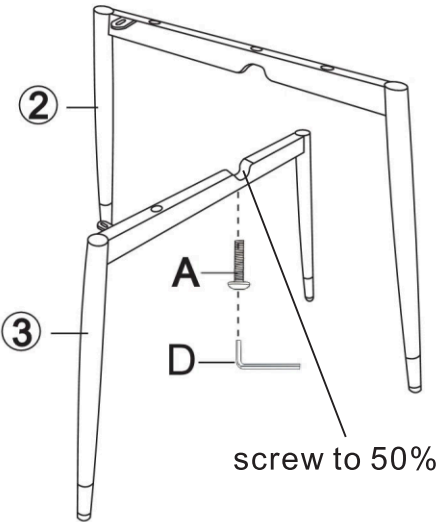


ASSEMBLY INSTRUCTION

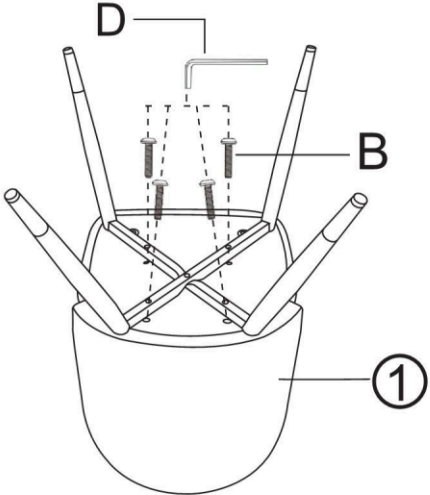
①	②	③	A	B	C	D
			 M6×30mm	 M6×50mm	 M6X18mm	 M6
×1	×1	×1	×1	×4	×2	×1

1

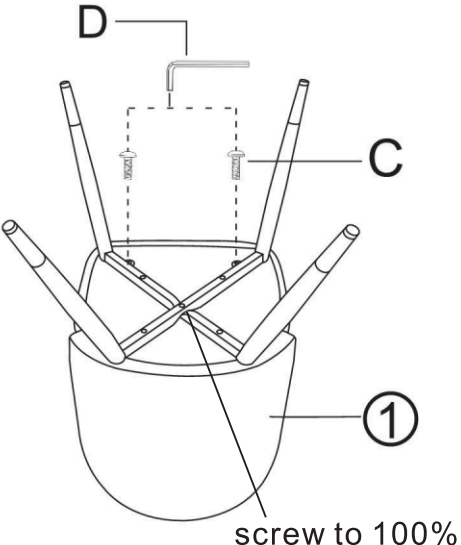


screw to 50%

2

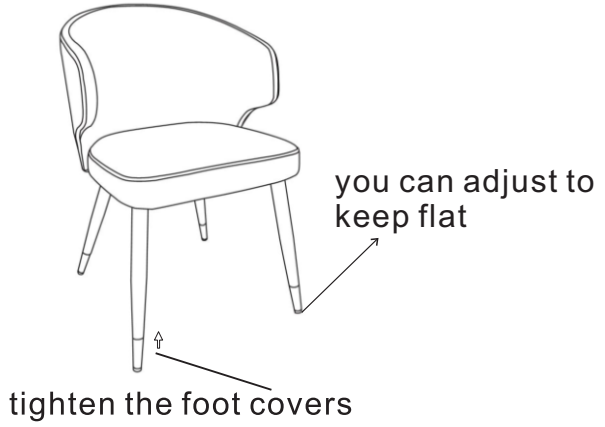


3



screw to 100%

4



you can adjust to keep flat

tighten the foot covers