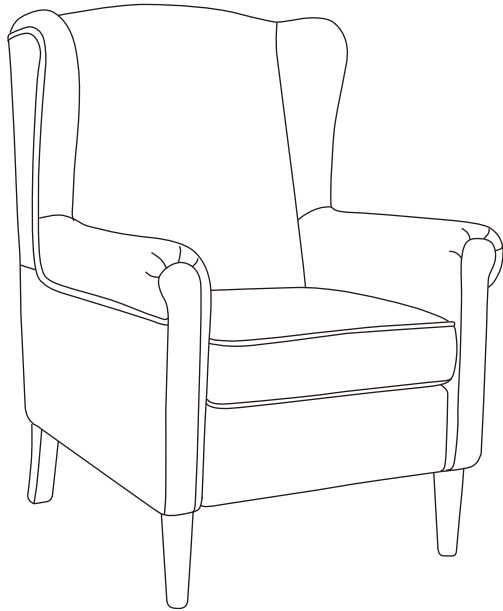
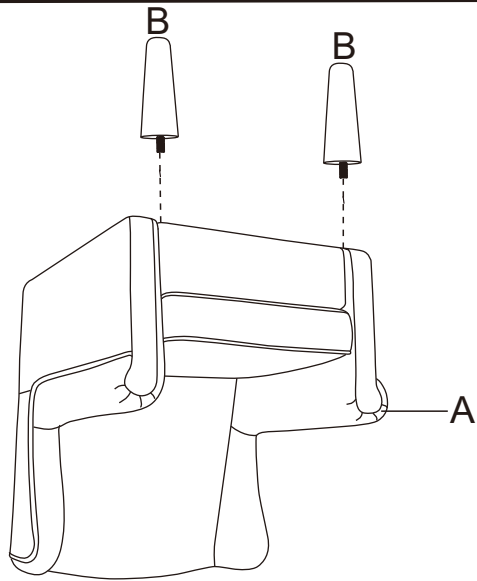


ASSEMBLY INSTRUCTIONS

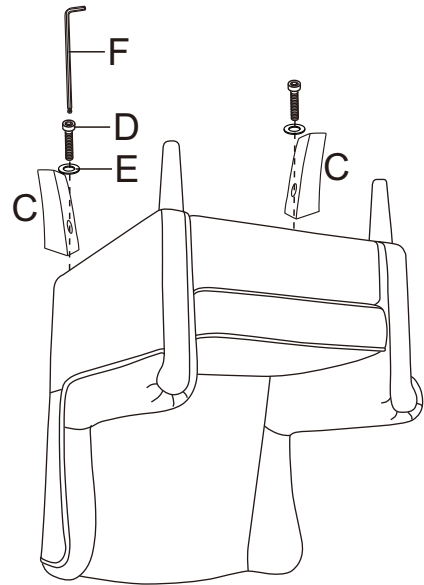


Ax1 	Dx2
Bx2 	Ex2
Cx2 	Fx1

1



2



3

