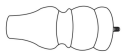
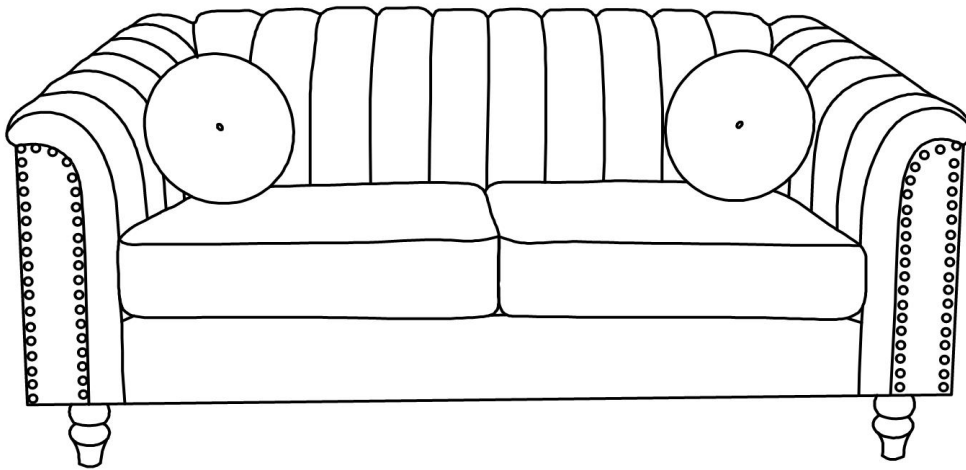
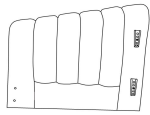


ASSEMBLY INSTRUCTION

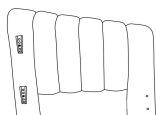
ITEM S5755/S5756/S5757/S5758/S5759/S5760/S5761/S5762
LOVESEAT



A: Legs
4PCS



B: Left arm
1PC



C: Right arm
1PC



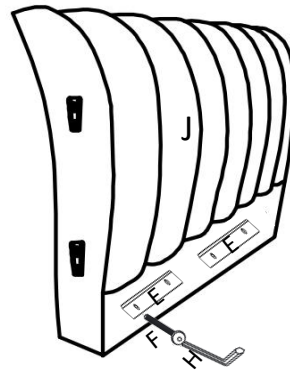
D: Seat cushion
2PCS



E: Support wood
4PCS



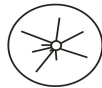
F: Bolt
8PCS



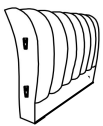
G: Front board
1PC



H: Allen Key
1PC



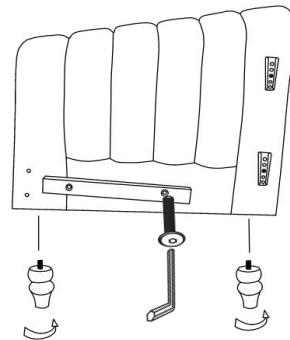
I: Round cushion
2PCS



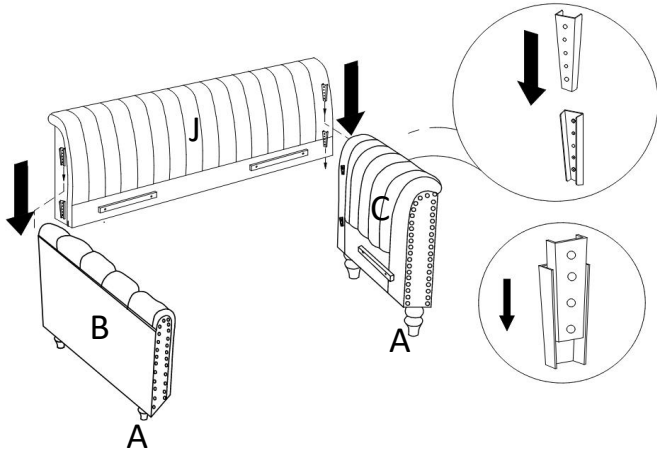
J: Back frame 1PC



K: Base support 1PC

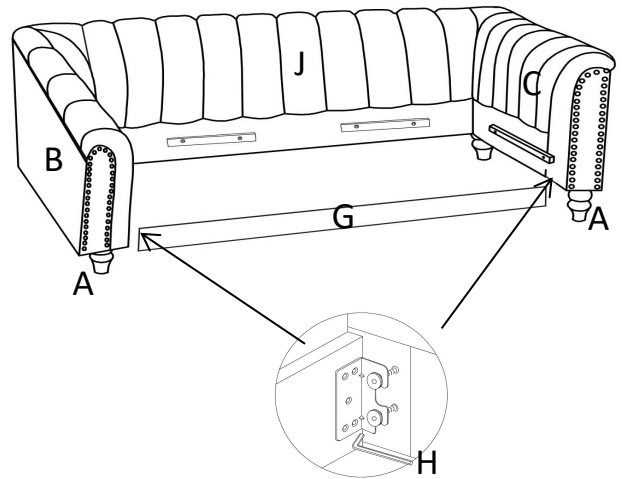


STEP 1

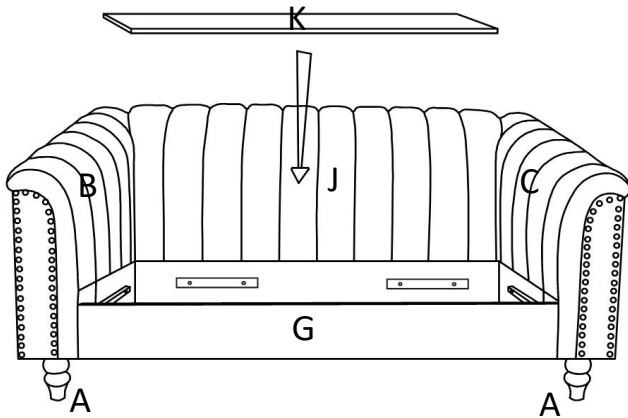


STEP 2

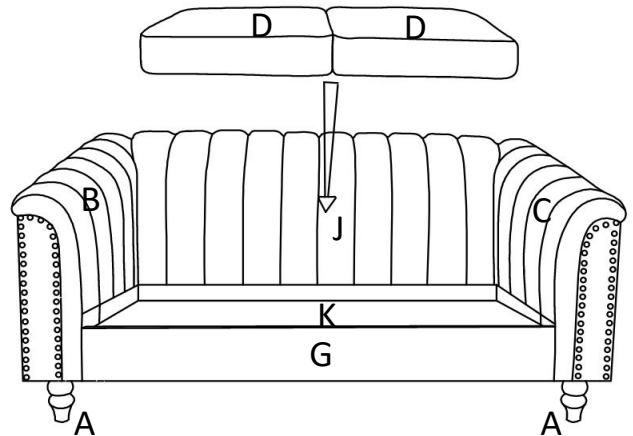
Slightly loosen the four bolts using Allen Key(B) without removing the bolts completely from both Side Arms (C&D). Hook on Front Board (K) hooks into loosen bolts, once placed tighten and secure all four bolts with Allen Key (B)



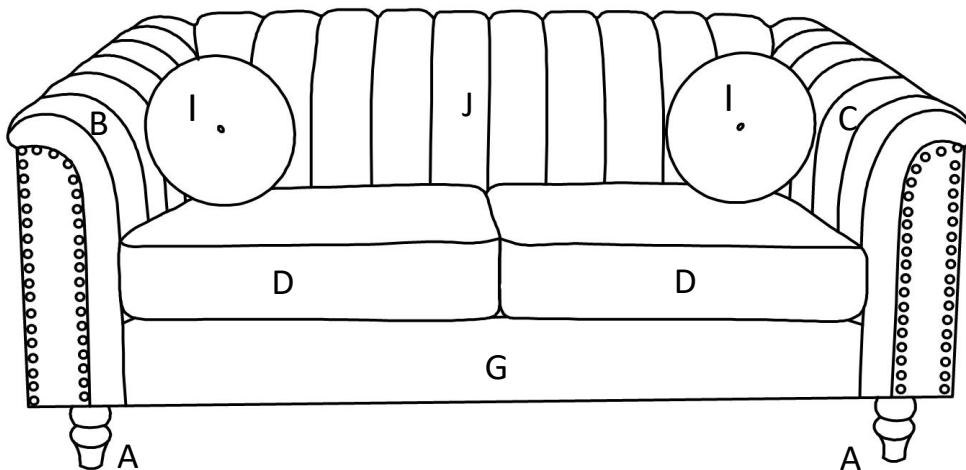
STEP 3



STEP 4



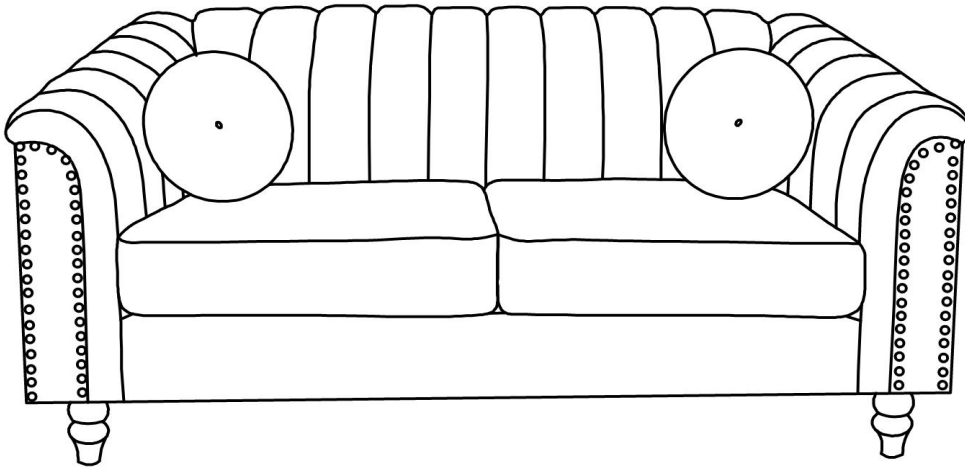
STEP 5



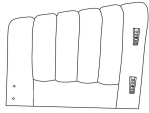
ASSEMBLY INSTRUCTION

ITEM S5755/S5756/S5757/S5758/S5759/S5760/S5761/S5762

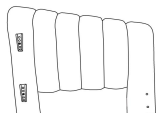
SOFA



A: Legs
4PCS



B: Left arm
1PC



C: Right arm
1PC



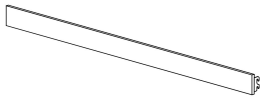
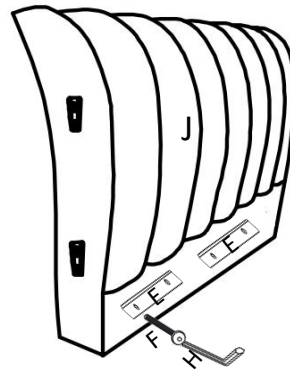
D: Seat cushion
2PCS



E: Support wood
4PCS



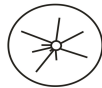
F: Bolt
8PCS



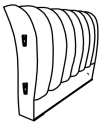
G: Front board
1PC



H: Allen Key
1PC



I: Round cushion
2PCS



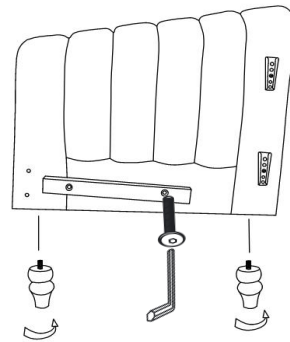
J: Back frame
1PC



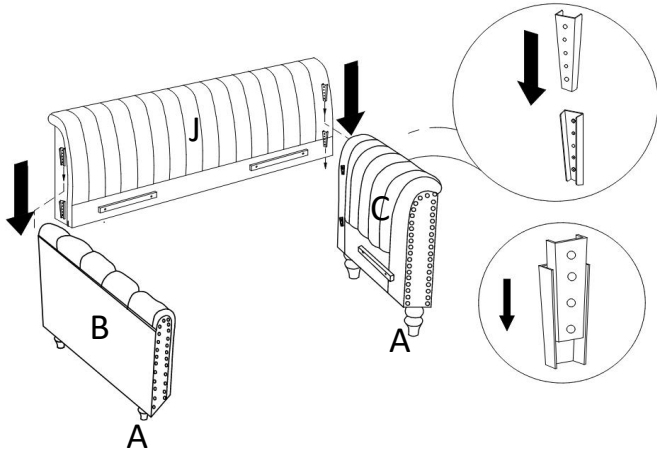
K: Base support
1PC



L: Middle leg
1PC

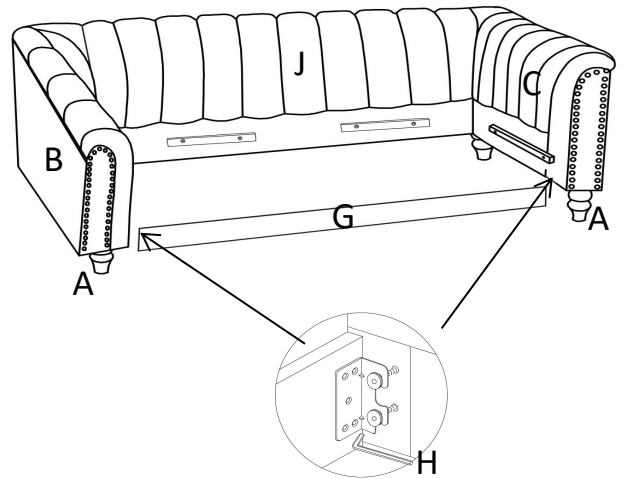


STEP 1

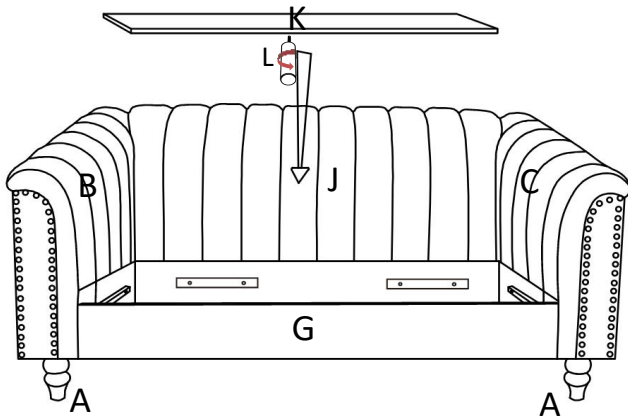


STEP 2

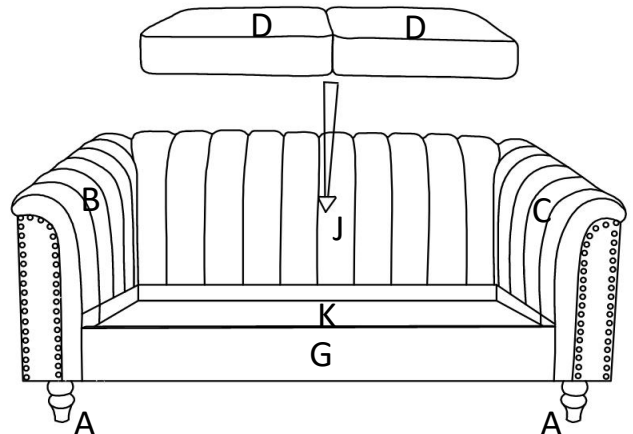
Slightly loosen the four bolts using Allen Key(B) without removing the bolts completely from both Side Arms (C&D). Hook on Front Board (K) hooks into loosen bolts, once placed tighten and secure all four bolts with Allen Key (B)



STEP 3



STEP 4



STEP 5

