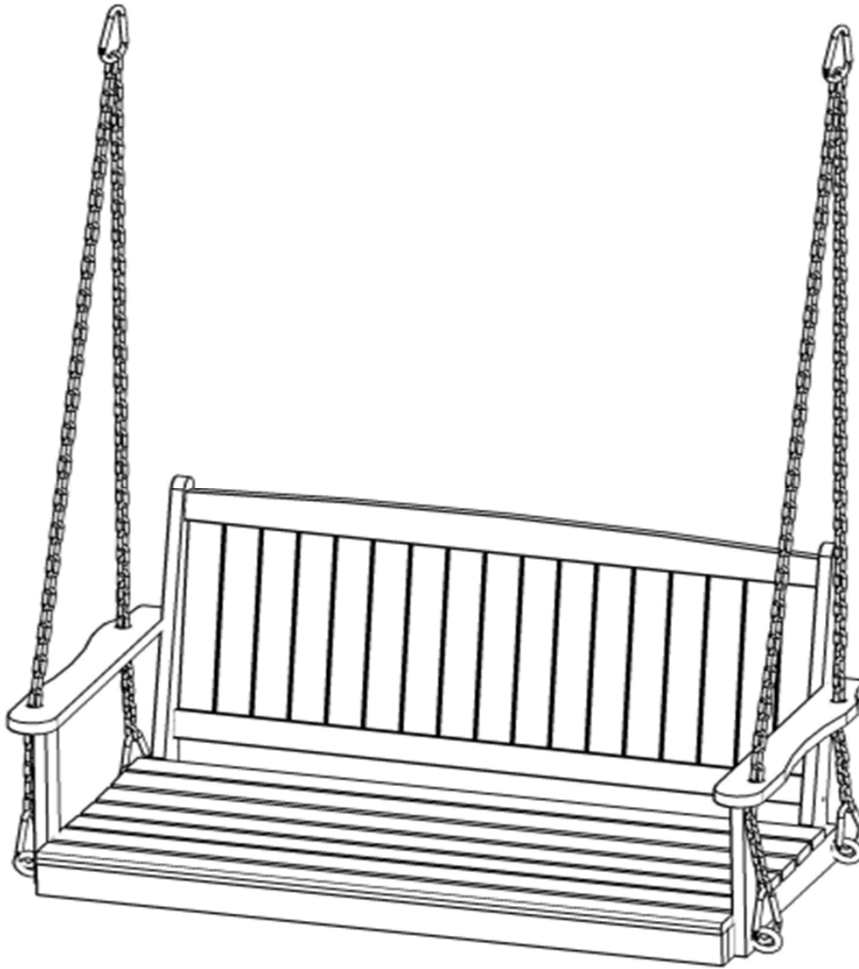


# Assembly Instructions

**Caution: You must read this before you proceed**

**Please look in the Left Arm Panel for hardware packs**

## **Swing**

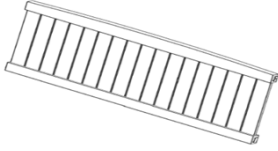
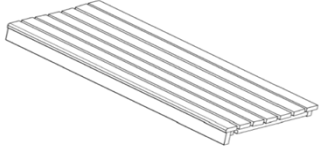
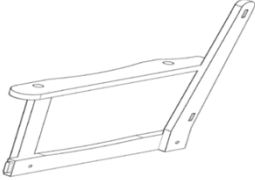
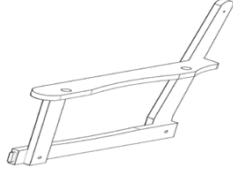


**CAUTION:** This Swing is NOT a TOY.



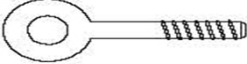





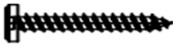
Keep your child / children at bay during the assembly process.

Whenever lifting or moving the Swing and to prevent damage to the Swing, two adults may be needed to execute these actions.

## Parts List

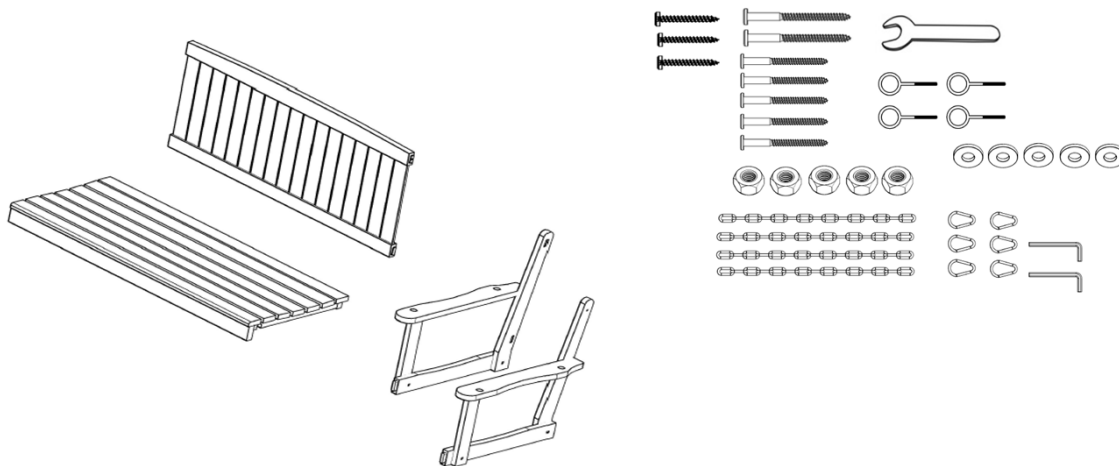
Label	Picture	Description	QTY
A		Backrest Panel	1
B		Seat Panel	1
C		Left Arm Panel	1
D		Right Arm Panel	1

## Hardware

Label	Picture	Description	QTY
①		Screw (M7 X 60mm)	7
②		Lock Nut (M9)	5
③		Eye Bolt (Ø 9 x 60 mm)	4
④		Chain (Ø5 x 2440mm)	4
⑤		Carabiner (M8)	6
⑥		Flat Washer(Ø10/20 x 2mm)	5
⑦		Wrench (Ø17 x 2 mm)	1
⑧		Allen Wrench	2
⑨		Screw (M6 X 35mm)	3

# Assembly Preparation

Before Beginning Assembly:



- Read instructions, cover to cover-



- Have 2 adults on hand for assembly-



- Do not assemble on flooring or carpet-



- Assemble on a clean non-marring surface (packing foam)-

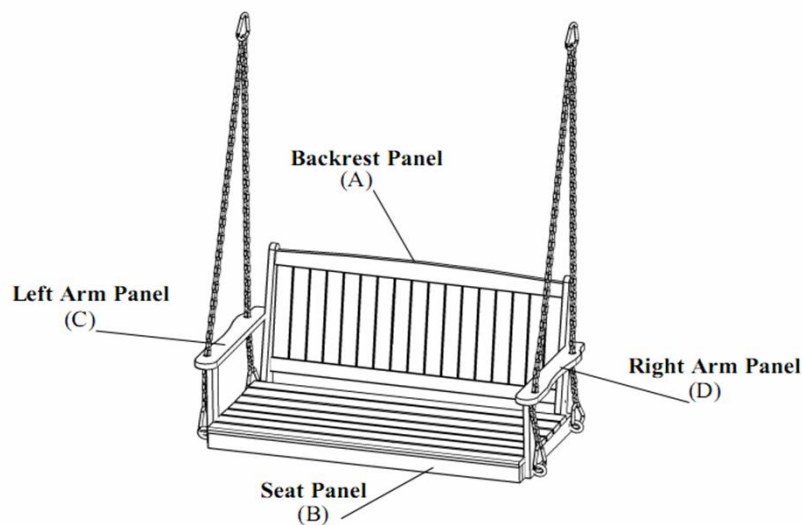


- Save all packaging until finished-

# Assembly Steps

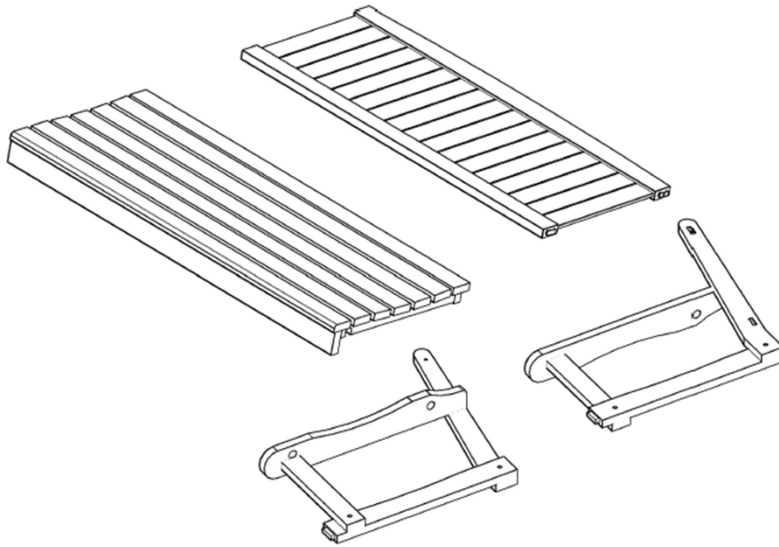
This Swing has multiple parts and may require up to 30 minutes to assemble. To give you an overview of the Swing, the above picture is to help you put the various parts into perspective. Please read through the instructions below to familiarise yourself with the parts and steps before assembly.

## Overview



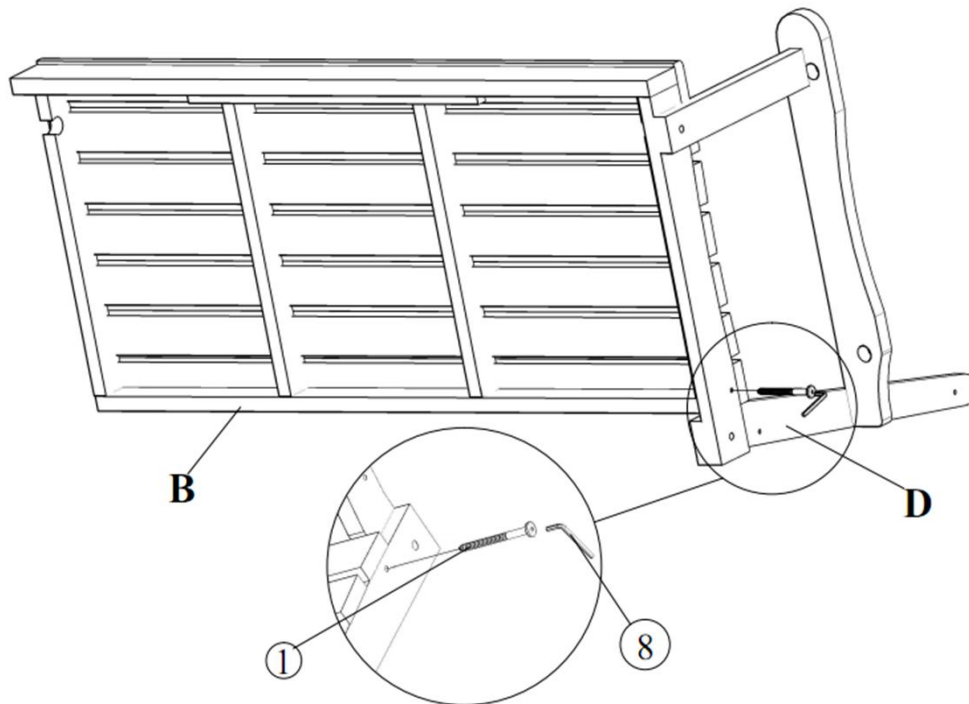
This Swing has multiple parts and may require up to 30 minutes to assemble. To give you an overview of the Swing, the above picture is to help you put the various parts into perspective. Please read through the instructions below to familiarise yourself with the parts and steps before assembly.

## Step 1



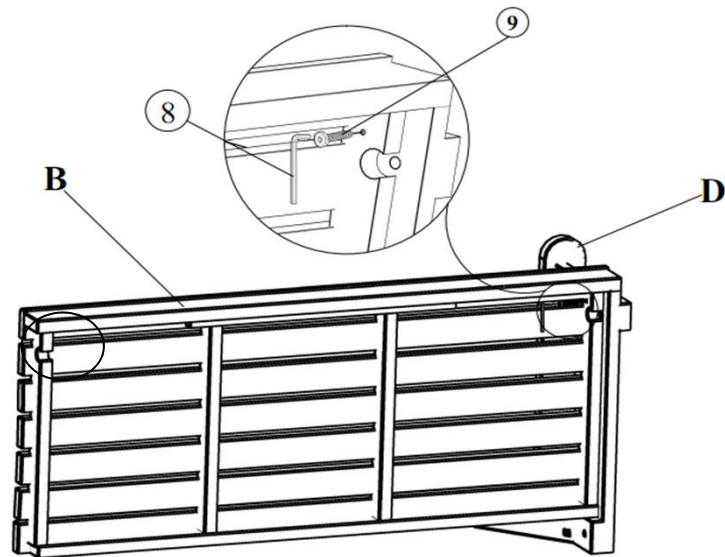
Unpack and place all parts on a clean, non-marring surface.

## Step 2



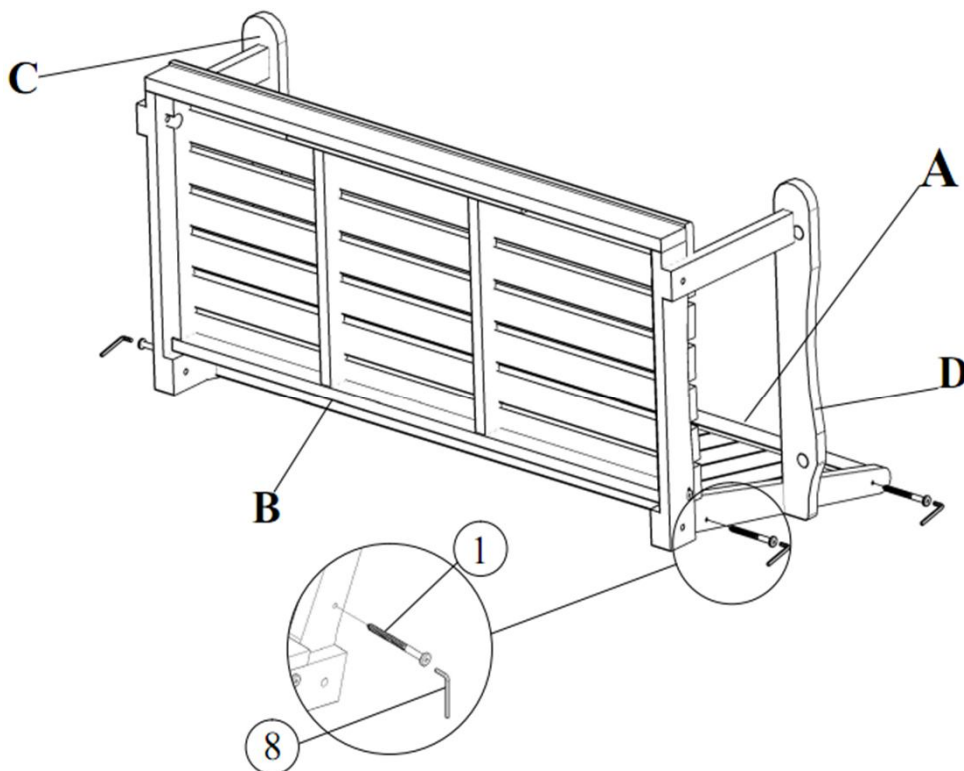
With the help of your adult partner, attach the Right Arm Panel(D) to Seat Panel(B) using Screws(①) and Allen Wrench(⑧) as shown above.  
Repeat the same process with Left Arm Panel(C).  
**Do not fully tighten the Screws.**

### Step 3



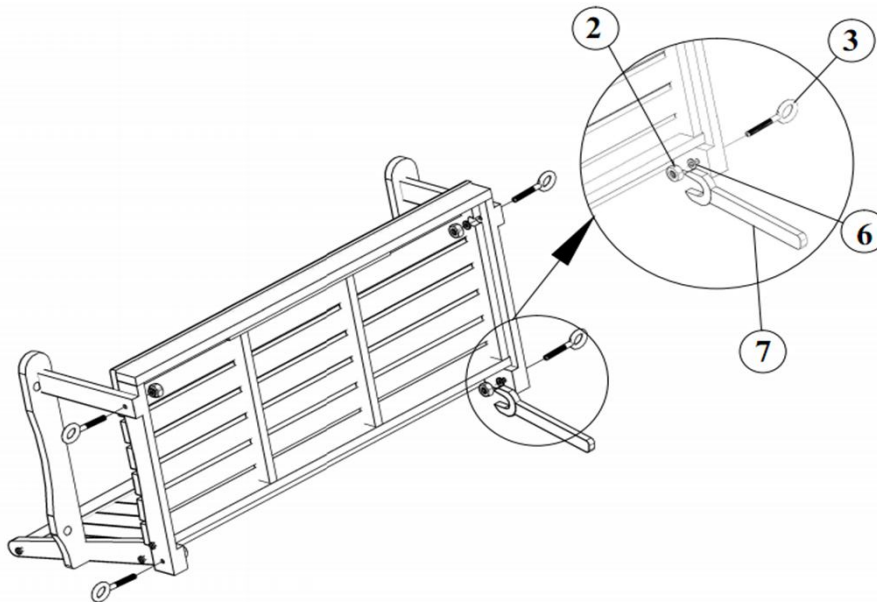
Secure the Seat Panel(B) to the Right Arm Panel(D) using Screw(9) and Allen Wrench(8).  
**Do not fully tighten the Screws.**

### Step 4



With the help of your adult partner, insert the tenon of the Backrest Panel(A) into the mortise of Left Arm Panel(C) and Right Arm Panel(D) of assembled in step 3.  
Secure the Left Arm Panel(C) and Right Arm Panel(D) to Backrest Panel(A) using Bolts(1) with Allen Wrench(8) as shown above.  
**Do not fully tighten the Bolts.**

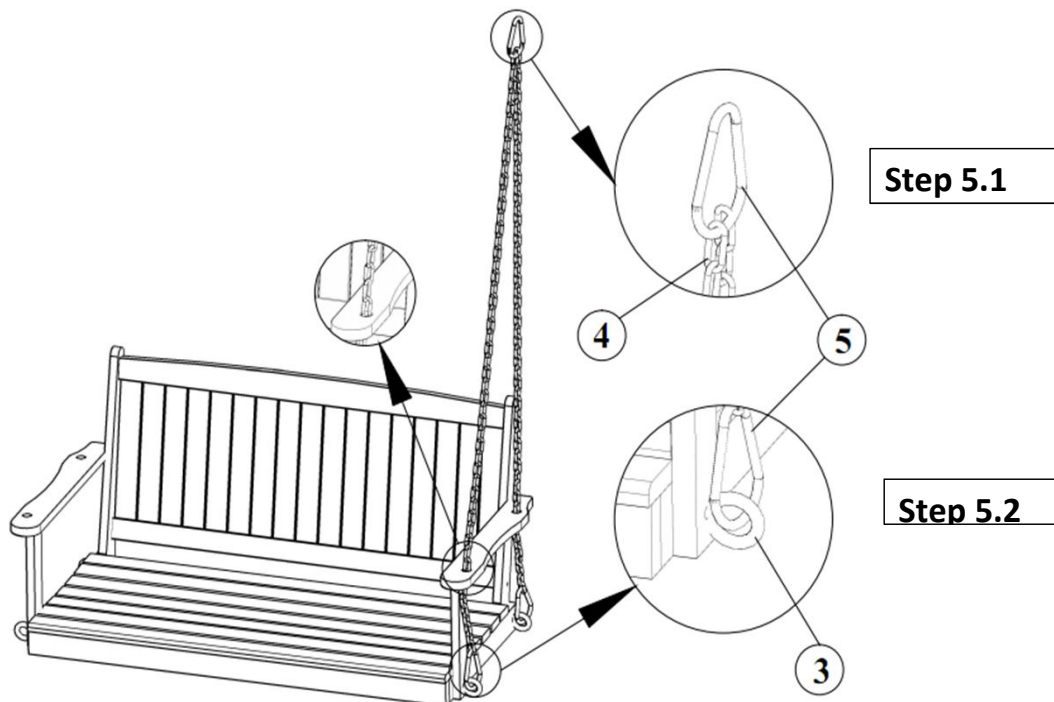
## Step 5



Connect Seat Panel(B) to Left Arm Panel(C) and Right Arm Panel(D) using Lock Nut(2) and Eye Bolt(3), Flat Washer(6) with Wrench(7) as shown above.

**Do not fully tighten the Bolts.**

## Step 6



With assistance from your adult partner, turn right side up the assembled on step 4 as shown above.

**Step 5.1** Unscrew the connection on Carabiner(5) and loop the Chain(4) onto the Carabiner(5), then screw the connection shut as shown above.

**NOTE:** The distance from Carabiner(5) to the back of Left Arm Panel(C) and Right Arm Panel(D) is shorter than the distance from Carabiner(5) to the front of Left Arm Panel(C) and Right Arm Panel(D).

**Step 5.2** Align the Chain(4) through the holes of Left Arm Panel(C) and Right Arm Panel(D). Then lock the end of the Chain to the Eye Bolt(3) on Left Arm Panel(C) and Right Arm Panel(D) as shown above. Repeat the same process with remaining Carabiner(5).

## Step 7



Then carefully sit onto the swing.

This pressure will help the swing reach full alignment at all joints.

In a sequential manner, gradually tighten all Bolts until evenly secured.

Inspect the swing and make sure all parts are adequately connected.

**Your swing is ready for use.**

**This Swing can only be used on a flat, level surface.**

## Care & Maintenance

- ⊗ ☕ ● Do not put hot items directly on furniture surface.
- ⊗ 🧴 ● Do not clean furniture with harsh cleansers or polish.
- ✓ ☀ ● To obtain the longest lifespan of your outdoor products, minimizing exposure to direct sunlight is recommended.
- ⊗ 🧒 ● Children should not climb or jump on the furniture.
- ⊗ ✍ ● Do not write on furniture without a padded barrier to protect the surface.
- ✓ ☁ ● To obtain the longest lifespan of your outdoor products, avoid extended and lengthy exposure to rain, snow, and direct sunshine. Whenever possible cover the product and /or place under patio or awnings.
- ⊗ 🏢 ● Not for commercial use. For residential use only.
- ⊗ 🧴 ● Stains may be removed with mild soap solution and damp cloth.
- ✓ 🧻 ● Dust and pick-up spills using a clean, non-colored, lint-free cloth .