

Type: \_\_\_\_\_

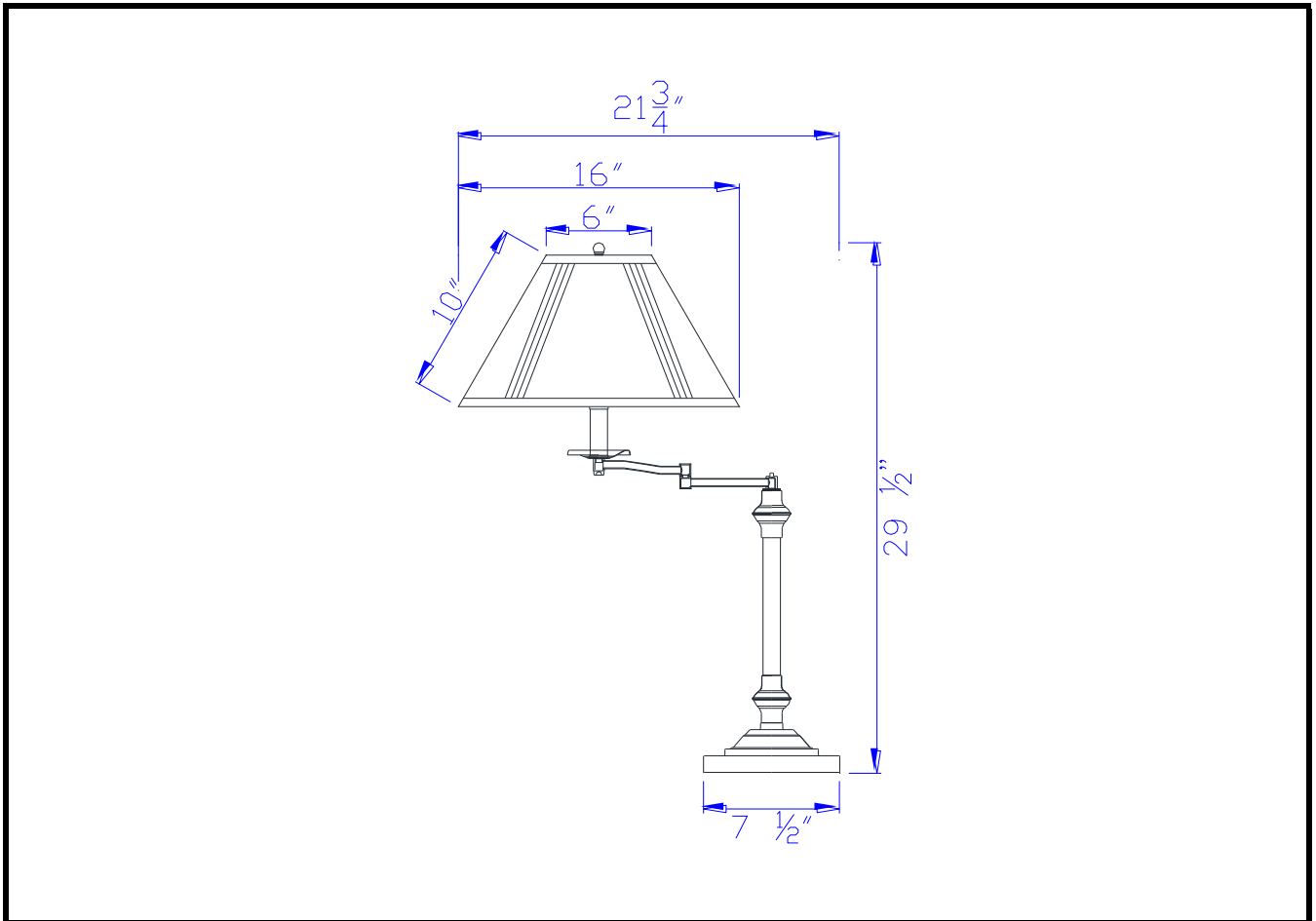
Project: \_\_\_\_\_

Catalog No.: \_\_\_\_\_

Lamp/Wattage: \_\_\_\_\_

Specifications subject to change without notice

Drawing:



**Description:** Swing Arm Table Lamp With Mushroom Shade

**Material:** Metal

**Finish :** AB (Antique Bronze)

**Height:** 29 1/2"

**Base Width:** 7 1/2"

**Wattage :** 150W

**Socket :** Medium Base (E27)

**Switch:** 3 way

**Bulb:** Incandescent, CFL

**Wire Length:** 6'

**Wire Color:** Gold

**Material:** Linen

**Shade size:** 6"X16"X10"

**Certificate :**

