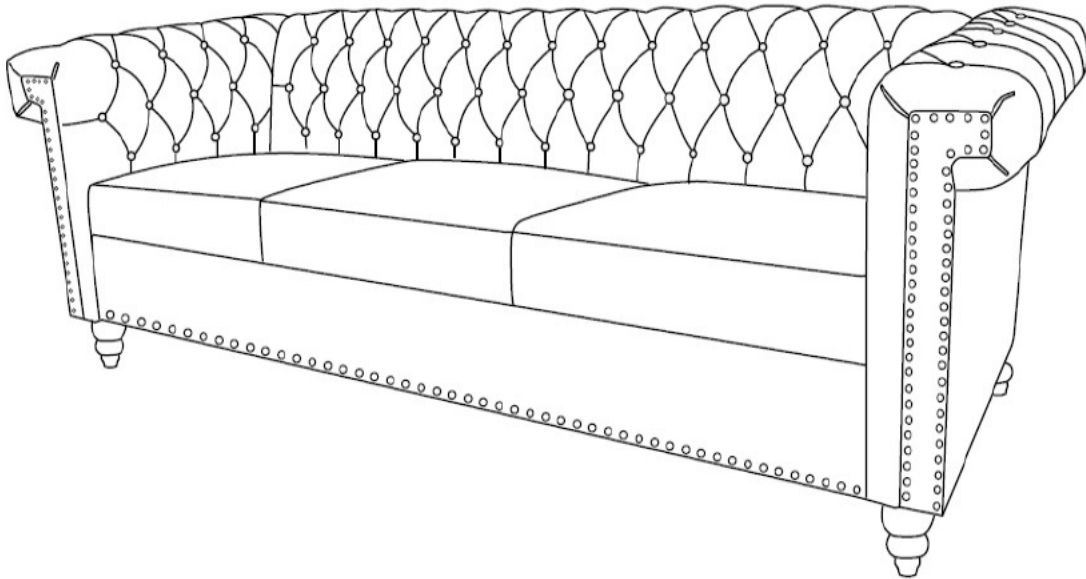


# Assembly Instructions

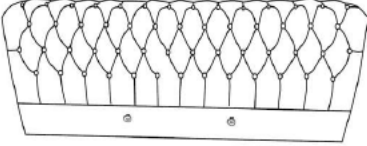
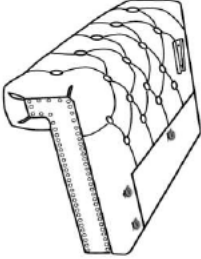
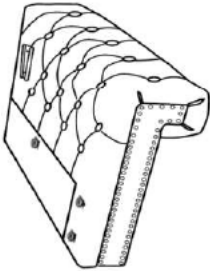
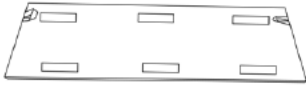



**Caution: You must read this before you proceed**

**Please look in the magic tape pouch for hardware packs and legs**

## SOFA



## Part List

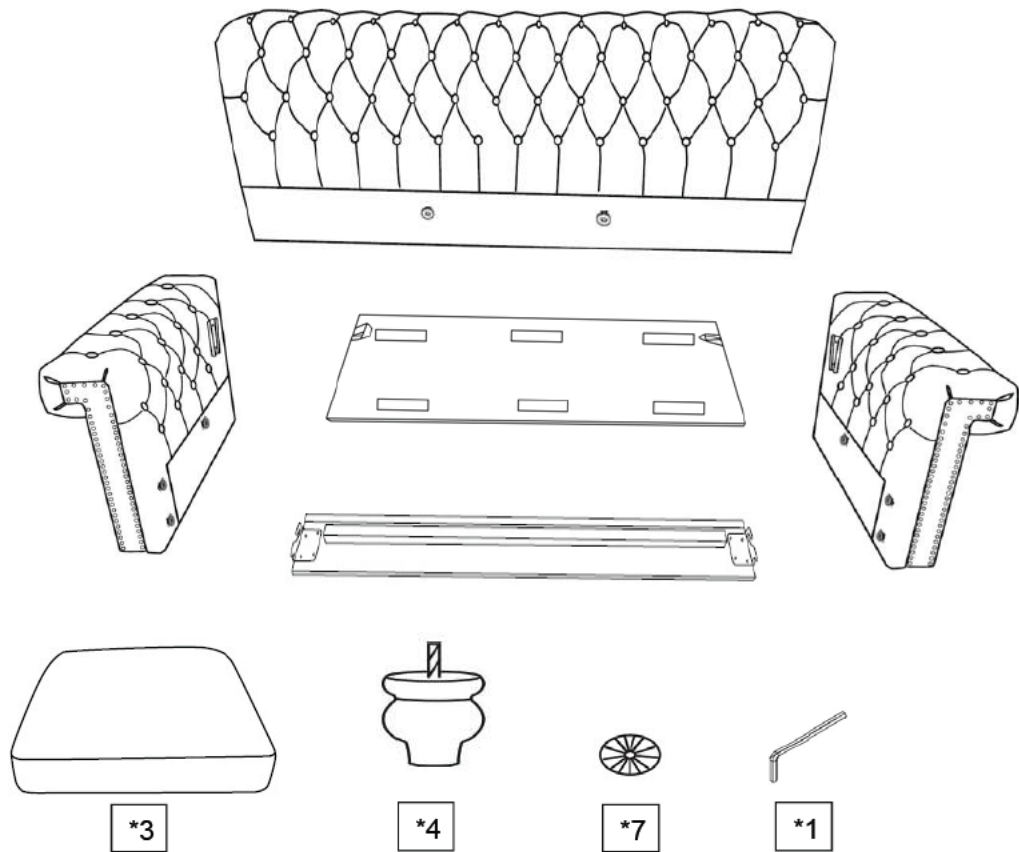
Label	Picture	Description	QTY
A		Backrest ( with pre-attached Tapered Connectors )	1
B		Left Armrest ( with pre-attached Tapered Connectors )	1
C		Right Armrest ( with pre-attached Tapered Connectors )	1
D		Seat Base ( with pre-attached Handle Straps ( <u>at the Top Side</u> ) and pre-attached Metal Brackets ( at the Bottom Side )	1
E		Front Rail (as shown here from the inside - with Wooden Support Bar )	1
F		Seat Cushion	3
G		Leg	4

## Hardware List

Label	Picture	Description	QTY
①		Plastic Washer	7
②		Allen Wrench	1

## Assembly Preparation

Before Beginning Assembly:



- Read instructions, cover to cover-



- Have 2 adults on hand for assembly-



- Do not assemble on flooring or carpet-



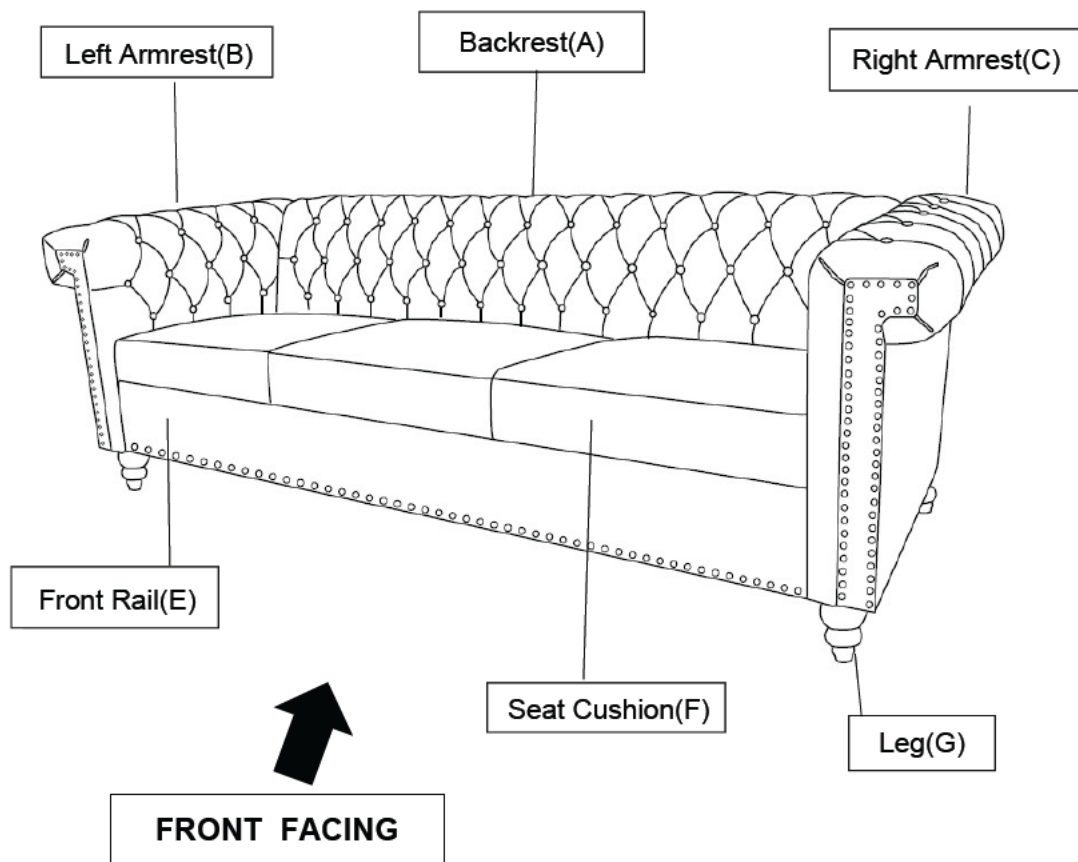
- Assemble on a clean non-marring surface (packing foam)-



- Save all packaging until finished-

## Assembly Steps

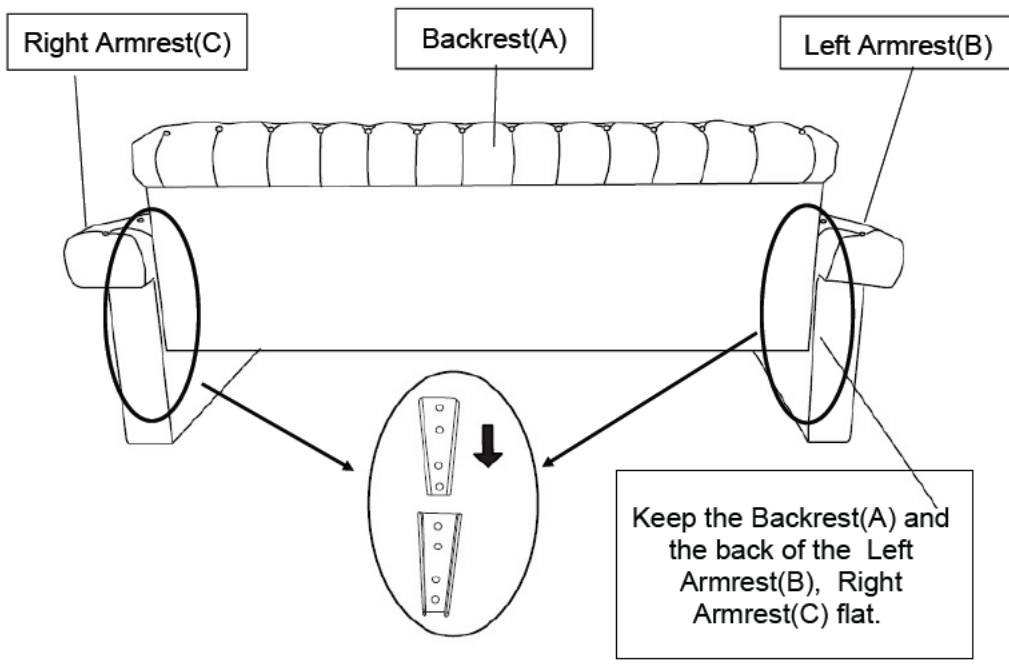
### OVERVIEW



This Sofa has multiple parts and may require up to 60 minutes to assemble. To give you an overview of the Sofa parts, the above picture is to help you put the various parts into perspective. Please read through the instructions below to familiarise yourself with the parts and steps before assembly.

**Note: It is recommended that you have an adult partner to assist during the entire assembly process.**

### Step 1



Open the carton and place all the parts on a clean, non-marring surface.

Caution :

1. ) You may need to use one hand to depress the foam cushion in the Backrest panel to ease the installation into the armrests.
2. ) Be careful to NOT get your fingers get caught or pinched at the Tapered Connectors area.
3. ) A well timed synchronised timing and speed will result in an easy assembly of the Backrest Panel into the Armrests.

Here, in Step 1 assembly, would require assistance from your adult partner.

First, make sure the pre-attached Tapered Connectors in the arms are both facing inwards.

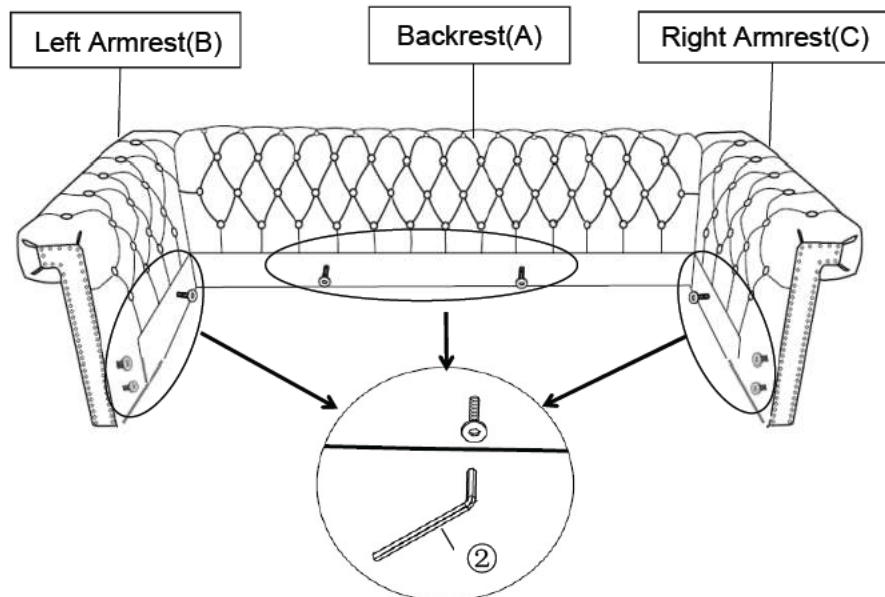
Then, place both the Left and Right Armrest( A & B ) apart to the width space of the Backrest Panel(A).

Next position your partner and yourself, standing at the back, to the edge of the Backrest Panel(A ).

Together, lift the Backrest Panel(A ) till the pre-attached Tapered Connectors in the Backrest Panel is above the Tapered Connectors of the Armrests.

In synchronised timing, gently and slowly, slide the Backrest Panel Connectors into the Connectors of the Armrests.

### Step 2

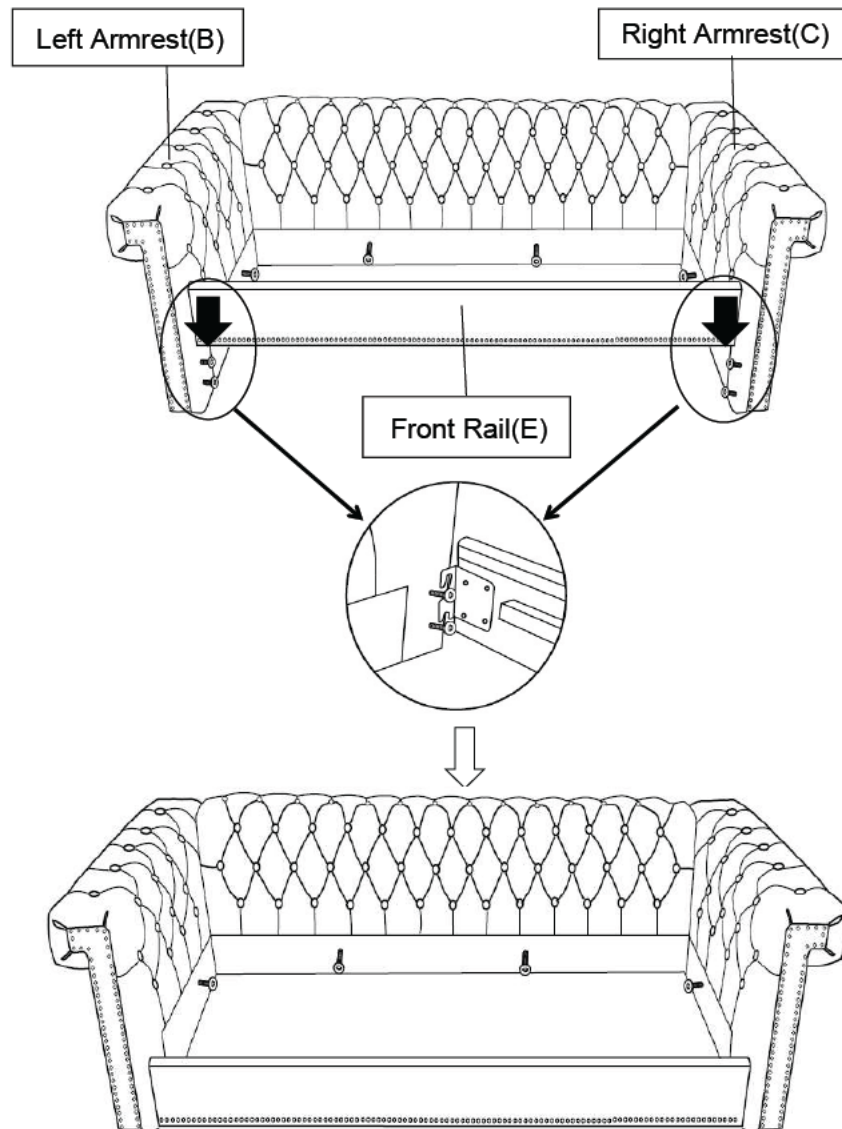


Next, move and stand into seat box area of the sofa.

As pictured above, in the inner face of Backrest(A), both Armrest and towards the base of the arm, you will see eight( 8 ) pcs of pre-attached bolts.

Using the Allen Wrench(②), loosen these bolts to about half an inch.

### Step 3



Note : Whilst attaching this Front Rail(E), the sliding action needs to be synchronised with your partner.

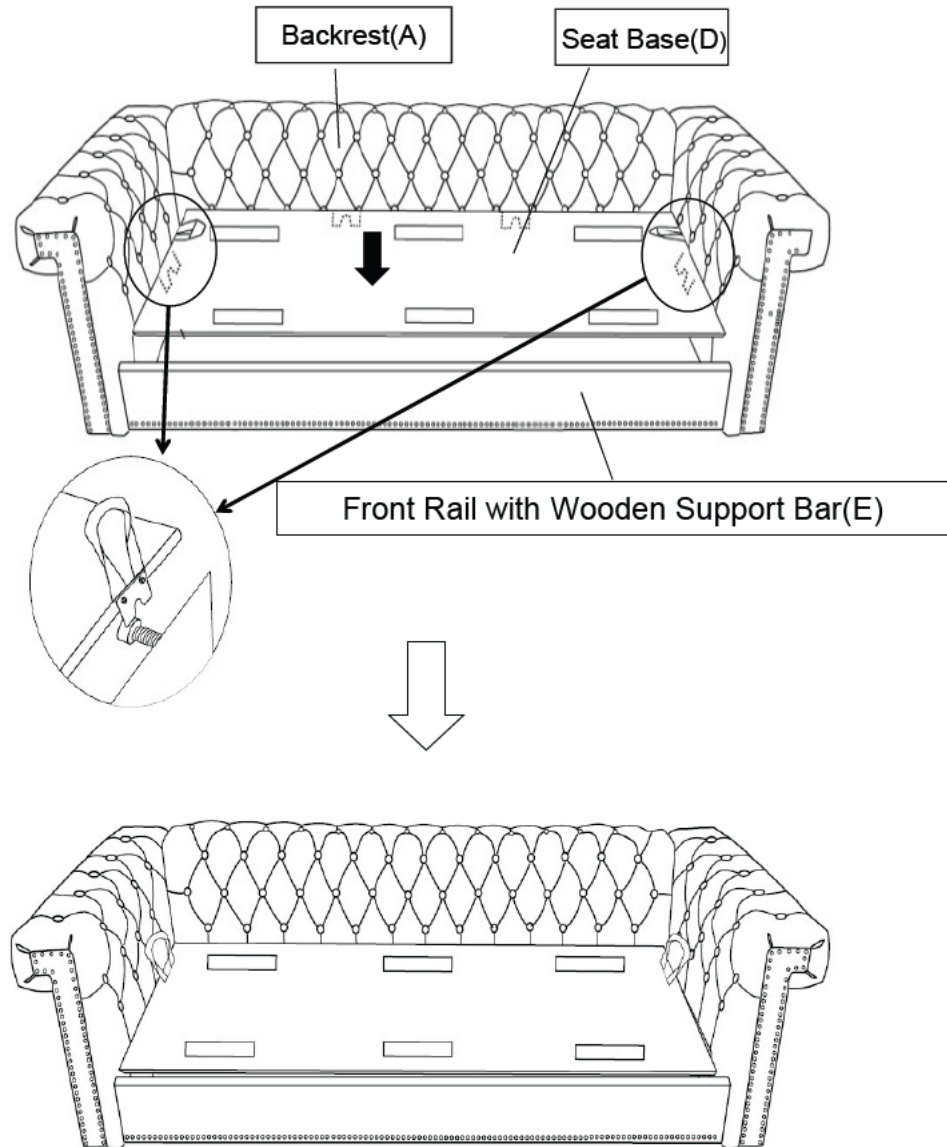
With the assistance of your partner, slide the hook at the ends of Front Rail(E) into the bolts on the Left Armrest(B) and Right Armrest(C), as shown above.

Then, proceed to TIGHT-LOCK the bolts on Front Rail(E).

Allow for 0.2 inches space.

**DO NOT** over tighten.

#### Step 4

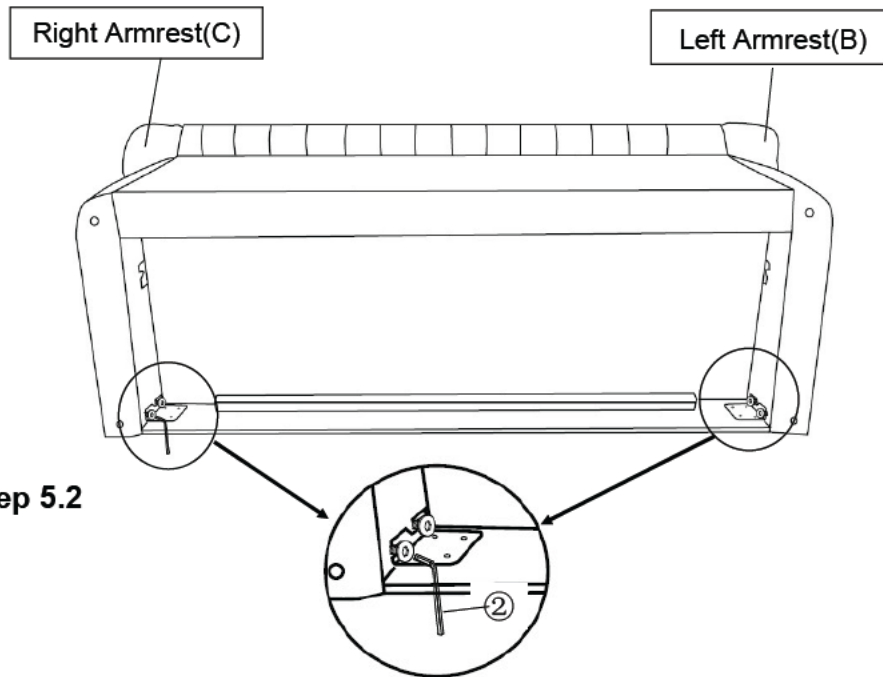
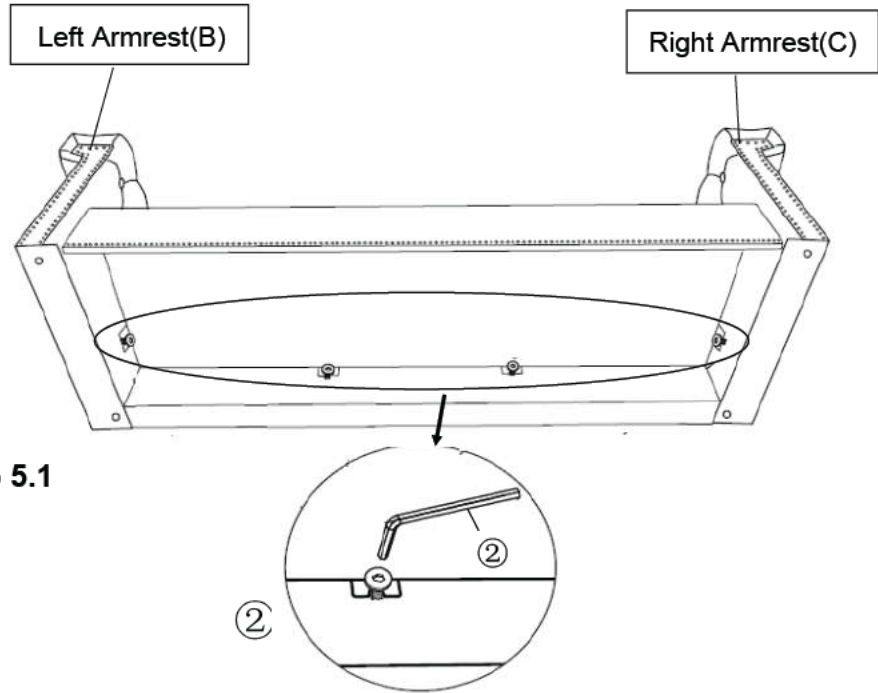


Together with your partner, lift the Strap Handles, at the sides, found on the Top face of the Seat Base(D).

Gently, place the Seat Base(D) into the Sofa so as to allow for :

1. ) 2( two ) Metal Brackets to hook into the Bolts at the base of the Backrest ;
2. ) 2( two ) Metal Brackets to hook into the Bolts in both bases of the Armrests ;
3. ) The front of the Seat Base(D) to rests onto the Wooden Support Bar in the Front Rail(E).

**Step 5**

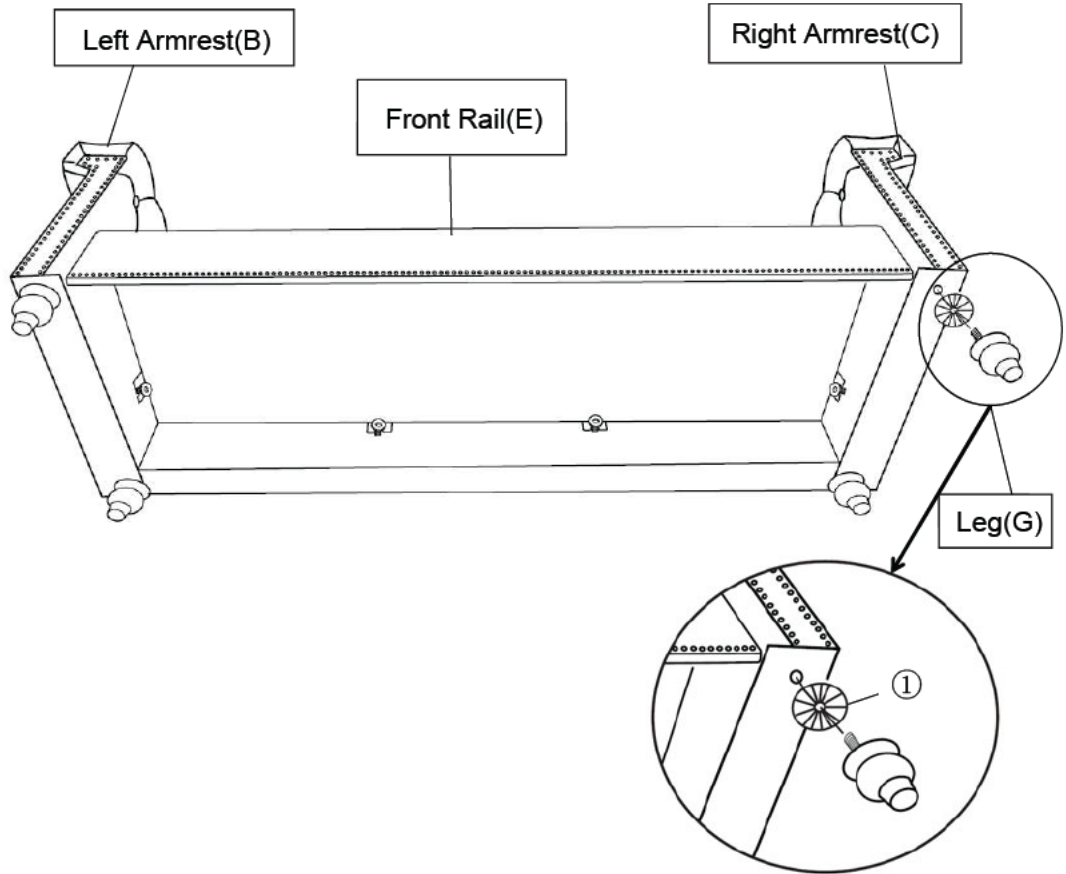


Here in Step5 - there are 2 sub-steps.  
First, tilt and lay the Sofa on its Backrest.  
In a sequential manner, using the Allen Wrench(Ⓜ) :

Step 5.1. ) FULLY Tighten ALL 4( four ) bolts in the Backrest and Armrests.

Step 5.2. ) FULLY Tighten ALL 4( four ) bolts at the INNER edges of the Front Apron.

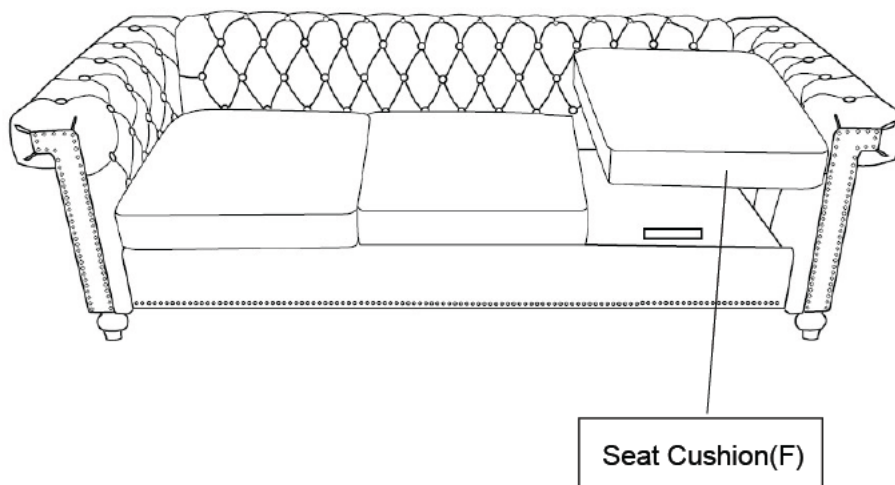
### Step 6



Install the Leg(G) at the bottom of Left Armrest(B) and Right Armrest(C) by placing Plastic Washer(①) on the threaded stem. Then insert threaded stem into the threaded mounting position at the bottom of Left Armrest(B) and Right Armrest(C). Tighten by turning the Leg clockwise.

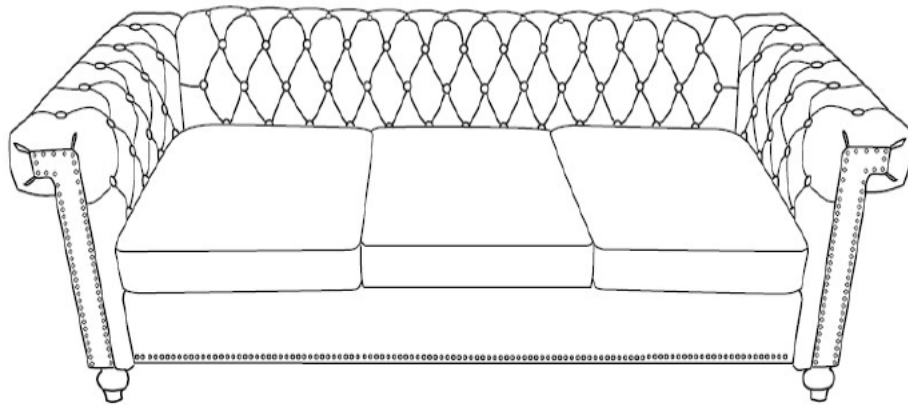
**Note: The use of Plastic Washer(①) are OPTIONAL and are especially useful to help alleviate slight wobbles. Some Legs may need more than one whilst some legs may not need any.**

### Step 7



Turn the Sofa to its upright position.  
Place the Seat Cushions(F) onto the Sofa.

Step 8



Your Sofa is ready for use.  
**This Sofa can only be used on a flat, level surface.**

## Care & Maintenance



- Furniture may scratch floors. We recommend using furniture pads to protect your floors.



- Do not put hot items directly on furniture surface.



- Do not clean furniture with harsh cleansers or polish.



- Do not place furniture under direct sunlight.



- Do not place furniture near heating or cooling vents.



- Do not write on furniture without a padded barrier to protect the surface.



- Do not place furniture outside . For indoor use only.



- Not for commercial use. For residential use only.



- Stains may be removed with mild soap solution and damp cloth.



- Children should not climb or jump on the furniture.



- Dust and pick-up spills using a clean, non-colored, lint-free cloth.