



Streamline

CORNER SHOWER WALL SURROUND

OWNER'S MANUAL & INSTALLATION GUIDE



READ ENTIRE INSTALLATION GUIDE PRIOR TO INSTALLING THE SHOWER WALL

For installation and assembly videos, please visit our website

www.streamlinebath.com

OR

our YouTube page by searching for

"Streamline Bath"

OR

following the below link to our channel:

<https://www.youtube.com/channel/UCII7TGMbkwoGSqzo-pGfaJw>

The images shown are for illustration purposes only and may not be an exact representation of the product.

CAUTION!



**TWO PERSON
LIFT REQUIRED**

TABLE OF CONTENTS

1.	Prior To Installation	3
2.	Safety Information	4
3.	Tools Required	6
4.	Parts Supplied	7
5.	Installation Instructions	8
6.	Cleaning & Maintenance	20
7.	Warranty	22

1. Prior To Installation

To Our Valued Customers,

We wanted to take a moment to express our sincere gratitude for choosing our shower wall surround for your bathroom. Your recent purchase is greatly appreciated, and we are delighted to have you as our valued customer.

At Streamline, we strive to provide the highest quality products, and we are confident that our shower wall surround will exceed your expectations in terms of both functionality and style. We have put in great effort to ensure that our shower wall surround enhances your bathing experience while adding an elegant touch to your bathroom.

We would like to assure you that our dedicated team is always here to assist you with any questions or concerns you may have regarding the installation or maintenance of your new shower wall surround. Your satisfaction is our top priority, and we are committed to delivering excellent customer service throughout your journey with us.

Once again, we genuinely appreciate your trust in our brand and your decision to choose our shower wall surround. We hope it brings you years of enjoyment and satisfaction. If there is anything we can do to further assist you, please do not hesitate to reach out to us.

Thank you for being a valued customer.

Warm regards,

The Streamline Team

2. Safety Information

- Two people are recommended to install the shower wall.
- Read all installation instructions prior to starting the installation.
- We recommend allowing the shower walls to reach room temperature before starting the installation process.
- Prevent exposure to moisture during the installation process. Before installation, carefully examine the shower walls to ensure that they have not sustained any damage during shipping.
- The framing studs need to be vertically straight and at right angles to the subfloor.
- Make sure all wood studs and supports are properly installed.
- Always wear safety glasses and gloves to ensure proper protection while handling materials.
- Please note that the dimensions provided are for reference only. It is crucial to accurately measure the dimensions of the opening before beginning the installation process.
- These products must be installed by a fully insured and licensed plumber only. Before commencing the installation process, carefully inspect all boxes and packages for any shipping damages.
- These products must be installed by a fully insured and licensed plumber only. Before commencing the installation process, carefully inspect all boxes and packages for any shipping damages.
- Installation of any product by anyone other than a fully insured and licensed plumber shall void the limited warranty.
- Building and plumbing codes may vary state-to-state. We are not responsible for any local code compliance for this product.
- Streamline shall not be held liable for any and all incidental damage or flood caused due to the use of this product.
- Streamline shall not be held responsible for defects or damage that could have been discovered, repaired, or avoided by inspection and testing prior to installation. The shower walls must be checked upon delivery.
- Make sure to test all plumbing connections as well as check for leaks prior to finalizing installation. Streamline is not responsible for defects and problems discovered or that could have been repaired or avoided by following this step.
- Ensure that all plumbing work within the walls is completed before beginning the installation of the wall panels.
- This wall system is crafted for installation on any stable surface. When placing the panels over existing tiles, ensure that any loose tiles are removed and replaced prior to beginning the installation process.
- Before starting the installation, ensure the water supply is turned off and remove any faucets, handles, or fixture trims that extend from the wall.

- Clean all wall surfaces by removing any soap residue and dirt with a standard household detergent, then dry thoroughly.
- This product is intended for installation over backer board, drywall, or tile and should not be installed directly onto studs.
- The step-by-step guide provided in the installation instructions is intended for general reference purposes only and may not cover specific scenarios or unique installation requirements.

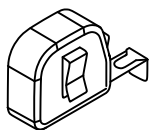
THIS MANUAL AND ITS CONTENTS, INCLUDING BUT NOT LIMITED TO TEXT, IMAGES, GRAPHICS, AND INSTRUCTIONS, ARE PROTECTED BY COPYRIGHT AND TRADEMARK LAWS. NO PART OF THIS MANUAL MAY BE REPRODUCED, DISTRIBUTED, OR TRANSMITTED IN ANY FORM OR BY ANY MEANS, ELECTRONIC OR MECHANICAL, INCLUDING PHOTOCOPYING, RECORDING, OR BY ANY INFORMATION STORAGE AND RETRIEVAL SYSTEM, WITHOUT THE PRIOR WRITTEN PERMISSION OF STREAMLINE.

ALL PRODUCT NAMES, LOGOS, AND BRANDS ARE THE PROPERTY OF THEIR RESPECTIVE OWNERS. STREAMLINE RETAINS ALL RIGHTS TO ITS TRADEMARKS, TRADE NAMES, AND COPYRIGHTED MATERIALS ASSOCIATED WITH THIS PRODUCT. UNAUTHORIZED USE OF THESE MATERIALS IS STRICTLY PROHIBITED AND MAY RESULT IN LEGAL ACTION.

3. Required Tools



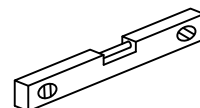
Silicone



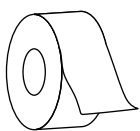
Measuring Tape



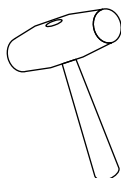
Pencil



Level



Painter's Tape



Mallet



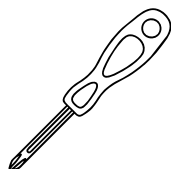
Safety Glasses



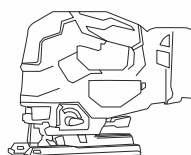
Gloves



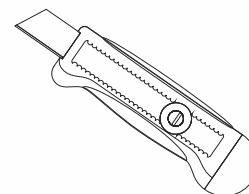
Electric Drill



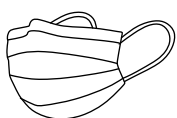
Screwdriver



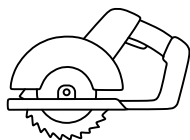
Jig Saw



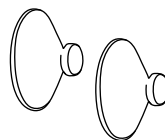
Utility Knife



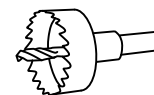
Dust Mask



Circular Saw

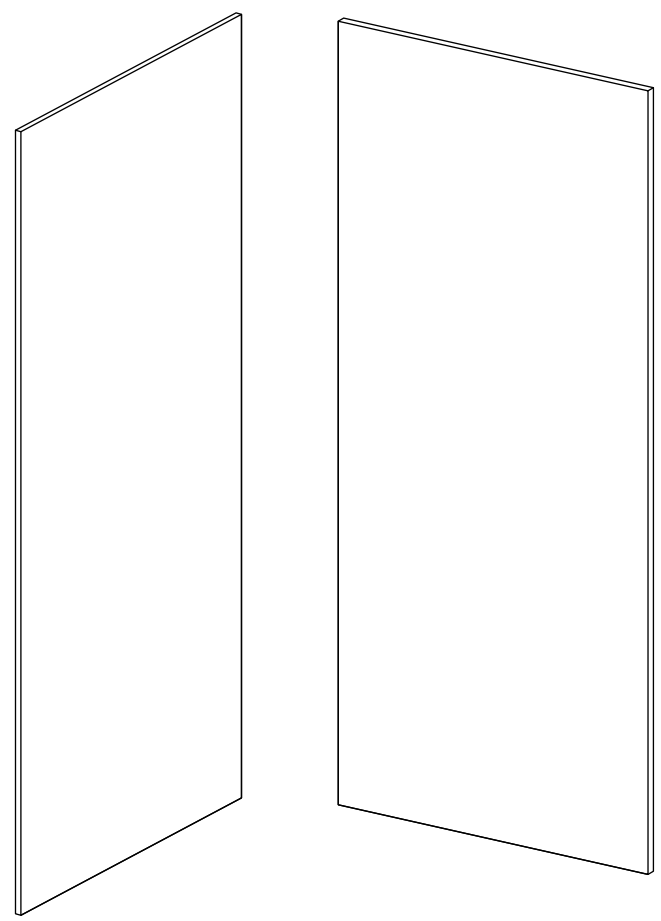


Suction Cups

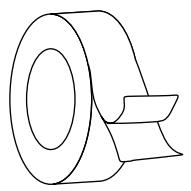


Hole Saw

4. Parts Supplied



Wall Panels

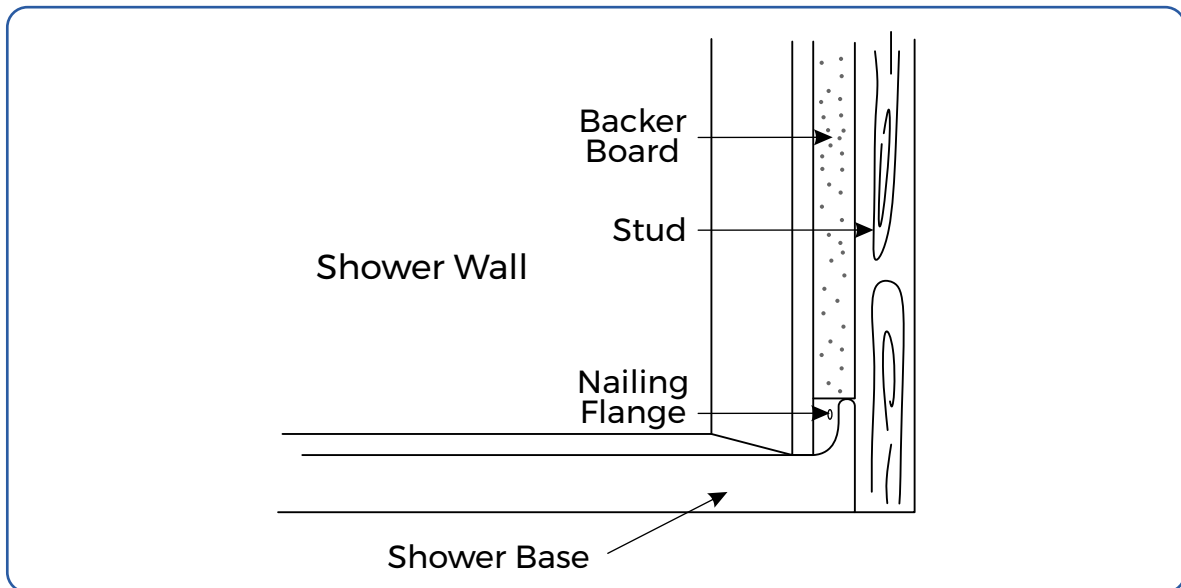


Double Sided Tape

5. Installation Instructions

- Once you've opened all the boxes, read the instructions thoroughly and ensure all the necessary components are included in the package. If there is damage or missing components, **DO NOT INSTALL THE PRODUCT!** Contact customer service at 310-935-0028 or via email at support@streamlinebath.com.
- Ensure all rough plumbing and pipe fittings are fully installed and ready before starting the installation of the wall panels.
- Position each wall panel securely against the shower base and the back corner. You may need to trim the vertical edge that aligns with the corner, the edge that sits on the base, or in some cases, both edges to ensure a proper fit.
- Walls should be solid, plumb, and square
- Panels can be resized using a circular saw. If a panel is too large for the wall space, start by measuring and marking the cutting lines accurately. Double-check all measurements before cutting and use the appropriate tools to ensure clean and straight edges.
- Wall panels should be installed in a temperature-controlled environment, ideally at a room temperature of around 16°C (60°F). Avoid installing panels in unheated spaces where the temperature might drop below 0°C (32°F).
- Refer to the instructions provided on your selected caulk tube for proper application. After completing the installation, carefully inspect all caulked areas and fill any gaps to ensure a thorough seal.
- Wall panels can be installed on a variety of surfaces, such as drywall, plaster, masonite, green board, cement board, water-resistant backers, painted surfaces, plywood, and ceramic tile.
- Ensure the installation surface is solid, clean, dry, and free from any imperfections.
- Remove any peeling paint, wallpaper, or plaster debris. For raw plaster or new wallboard, apply a primer or water sealant before beginning the installation.
- When installing over existing ceramic tile, if more than 30% of the tiles are removed during preparation, all remaining tiles must also be removed.
- For installations over intact tiles, lightly sand the surface to ensure proper adhesion.
- Mark vertical reference lines starting from the edges of the shower base/bathtub on both sides to maintain accurate alignment.
- Before starting the installation, turn off the water supply and ensure all required plumbing adjustments are completed.

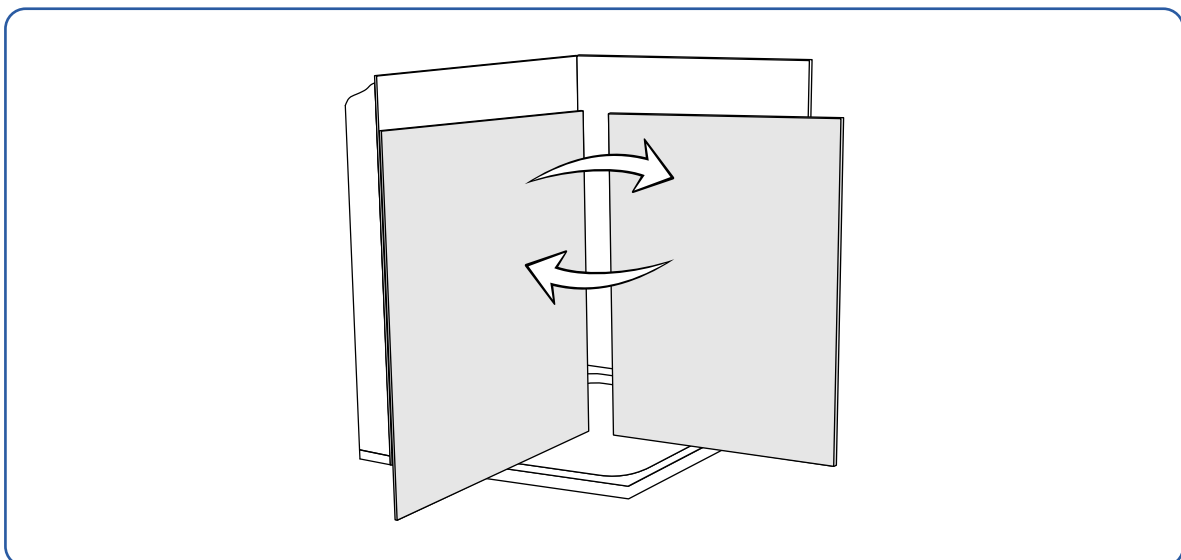
- Temporarily remove all plumbing handles and refrain from reinstalling them until the wall panel installation is finished.
- Position the showerhead so that it is either at least 2 inches below the top edge of the wall panels or mounted above the panels to ensure a proper water seal.



To properly install shower walls with a shower base, secure the base flange directly to the wall studs. Mount the backer board above the flange, ensuring it is firmly attached to the studs. Align the shower walls on the backer board, allowing them to overlap the flange and rest on the base. Failure to follow this method could lead to complications during installation.

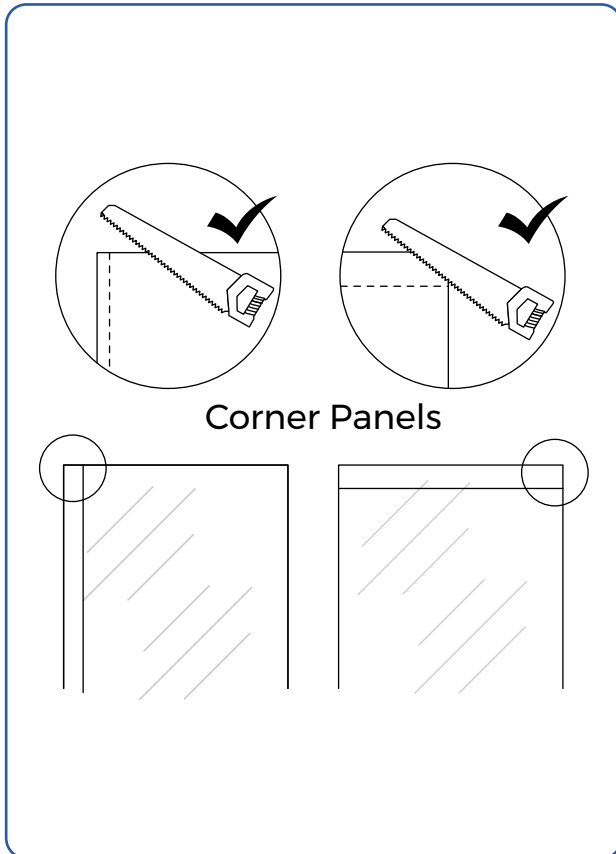
Important Installation Note

The wall panel pattern is fully reversible, meaning there is no specific order for installation. The panels are interchangeable and can be placed on either side to suit your preference.



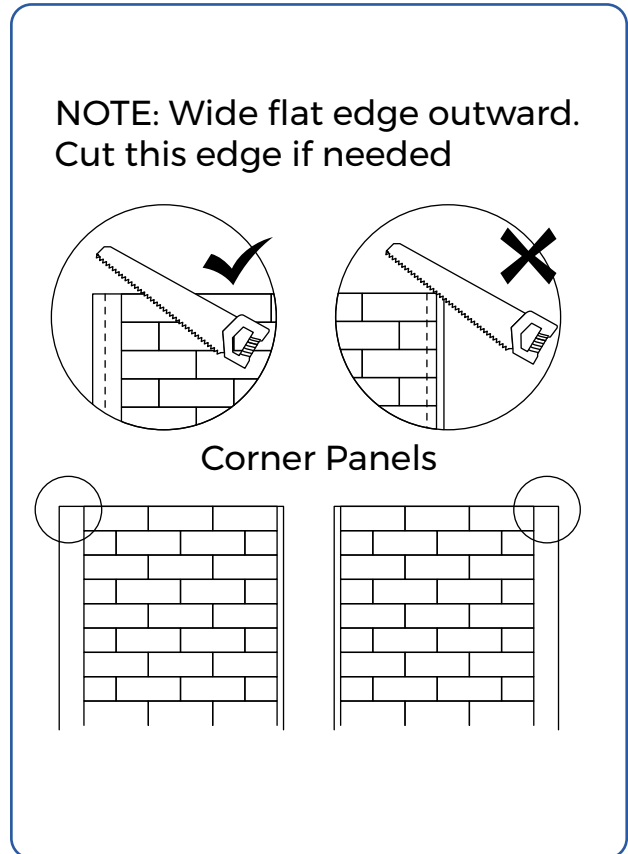
For Panels with a Flat Design

These panels can be trimmed both vertically and horizontally without restrictions.



For Panels with a Raised, Tiled Design

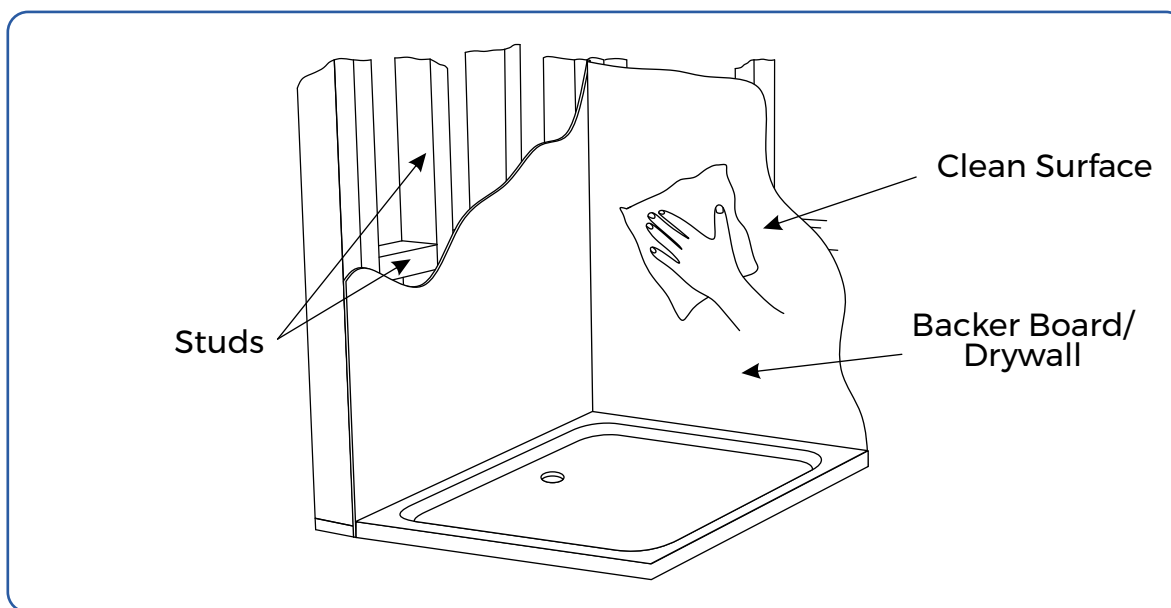
When cutting vertically, only trim along the wide, flat edge located on the outermost side of the panel.



Horizontal cuts are not recommended, as they can compromise the design if not executed with precision. However, if horizontal cuts are necessary, ensure they follow the natural design lines of the tile pattern. This approach preserves the panel's aesthetics and allows for proper installation, maintaining the overall look and functionality. Take extra care to avoid damaging the raised or tiled design during the cutting process.

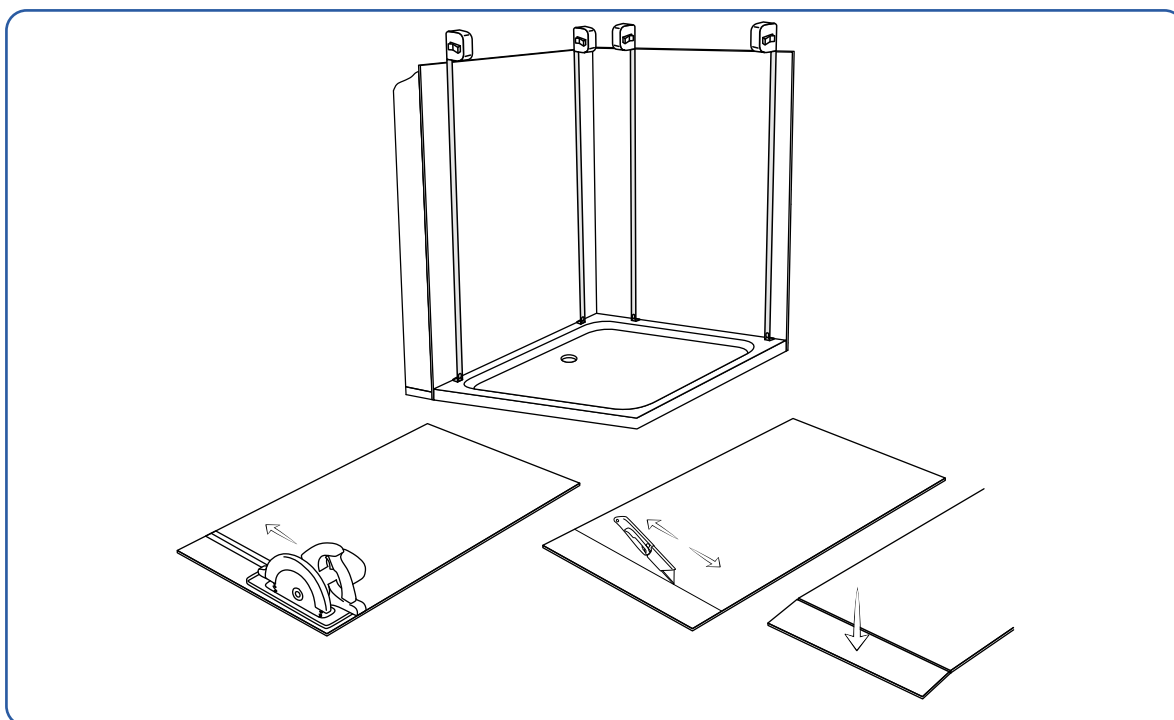
INSTALLATION

1. Ensure the wall surface is clean, dry, smooth, and free of dust, soap residue, mold, or any other contaminants. Wipe the wall with a damp cloth and let it fully dry before proceeding with panel installation.
 - a. **Note:** If you plan to install a shower door or any accessories such as grab bars, refer to the manufacturer's instructions and ensure the stud wall is prepared accordingly.

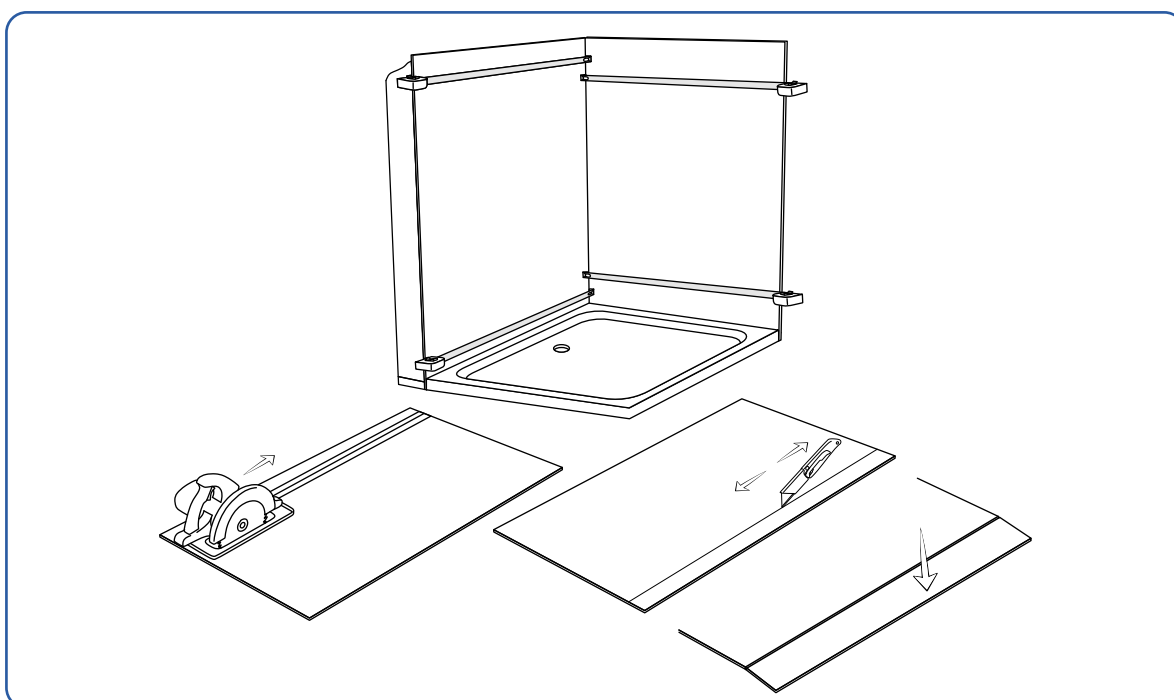


Note: Steps 2 and 3 may not apply to your specific installation setup. Please carefully review the previous installation notes for panels with a flat and raised design before continuing with steps 2 and 3 to ensure they are relevant to your installation.

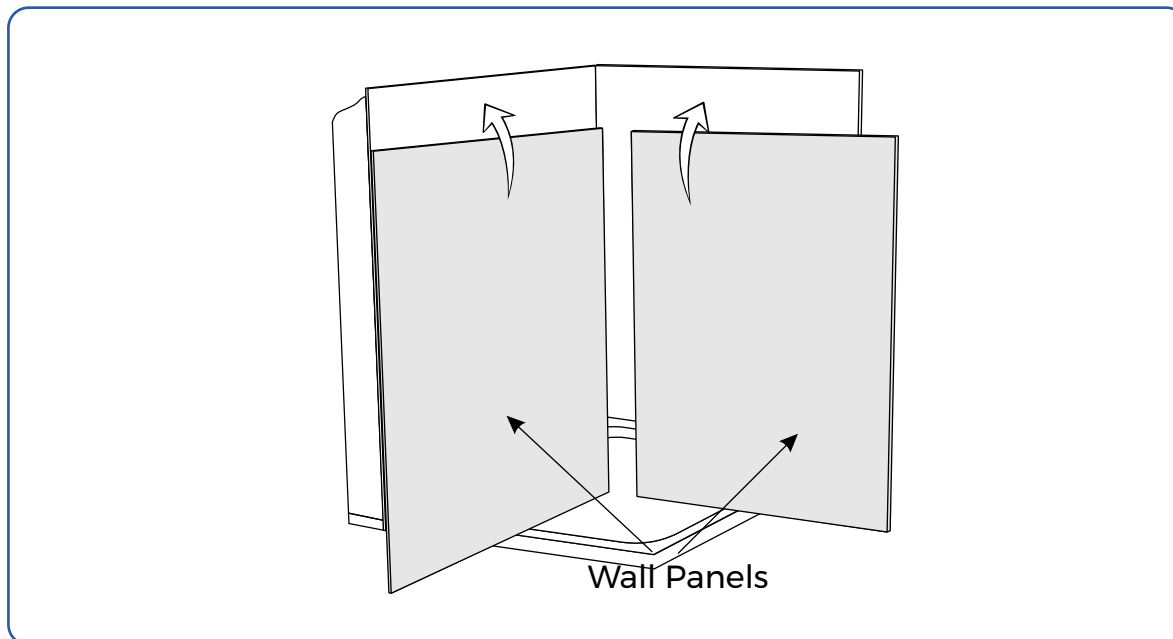
2. Measure the height of the installation area at both ends of each wall, starting from the top of the tub or shower base to the ceiling. If the ceiling height is less than the length of the panels included in your kit, trim the panels accordingly to ensure a proper fit.
 - a. A circular saw is recommended for making precise cuts. If using a utility knife, score the cutting line several times, then use locking pliers to snap off the excess material cleanly, as shown in the example. Important: When drilling, always drill from the finished side to prevent damage. Once cutting is complete, clean both the panels and the walls with a damp cloth to remove dust or debris and ensure everything is completely dry before continuing with installation.



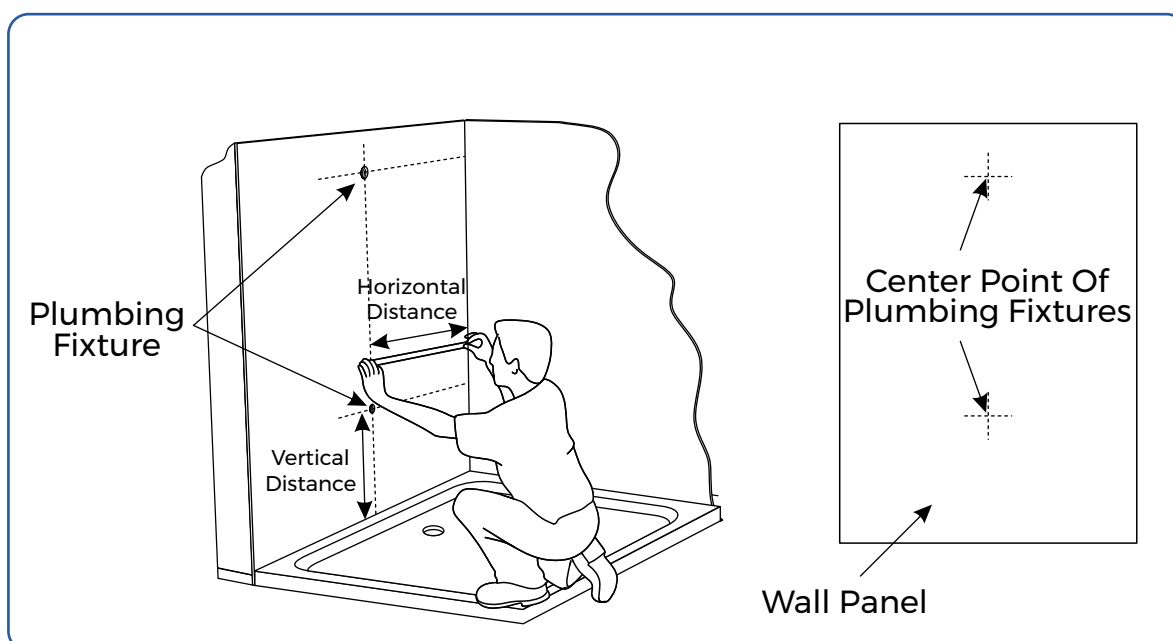
3. Measure the width of each wall at both the top and bottom of the installation area. Make sure the total width of the panels will fit within the space. If the space is narrower than the panels provided in your kit, the panels can be trimmed accordingly.
 - a. A circular saw is recommended for making precise cuts. If using a utility knife, score the cutting line several times, then use locking pliers to snap off the excess material cleanly, as shown in the example. Important: When drilling, always drill from the finished side to prevent damage. Once cutting is complete, clean both the panels and the walls with a damp cloth to remove dust or debris and ensure everything is completely dry before continuing with installation.



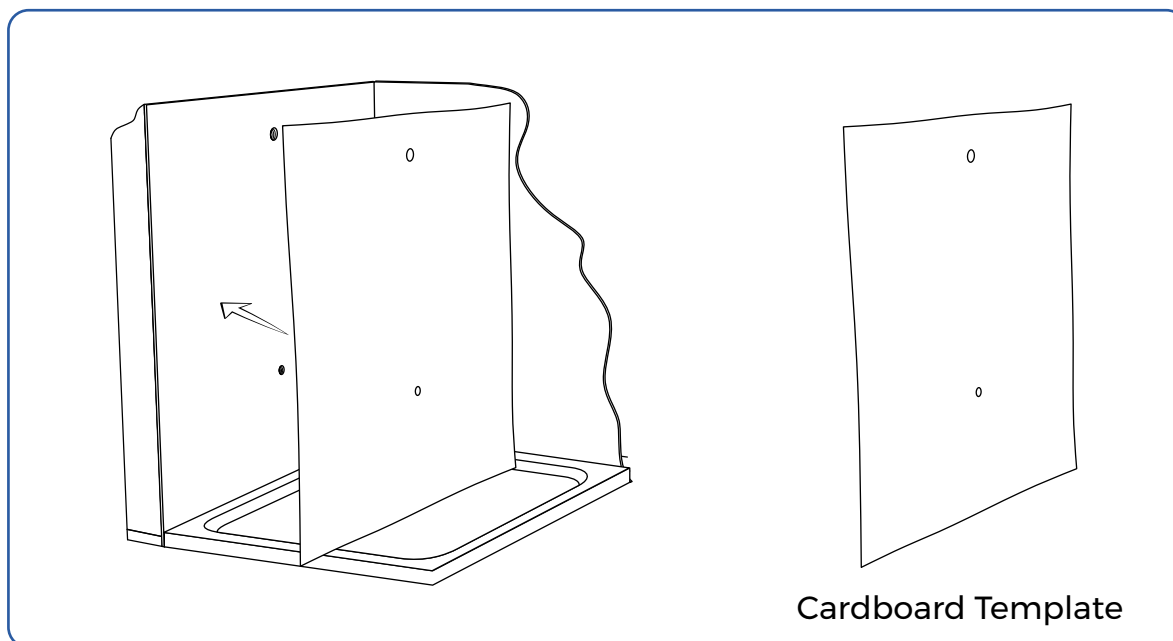
4. Dry-fit the back panels onto the shower's back wall to ensure they fit properly. If adjustments are required, follow the previous trimming steps to achieve the correct size.



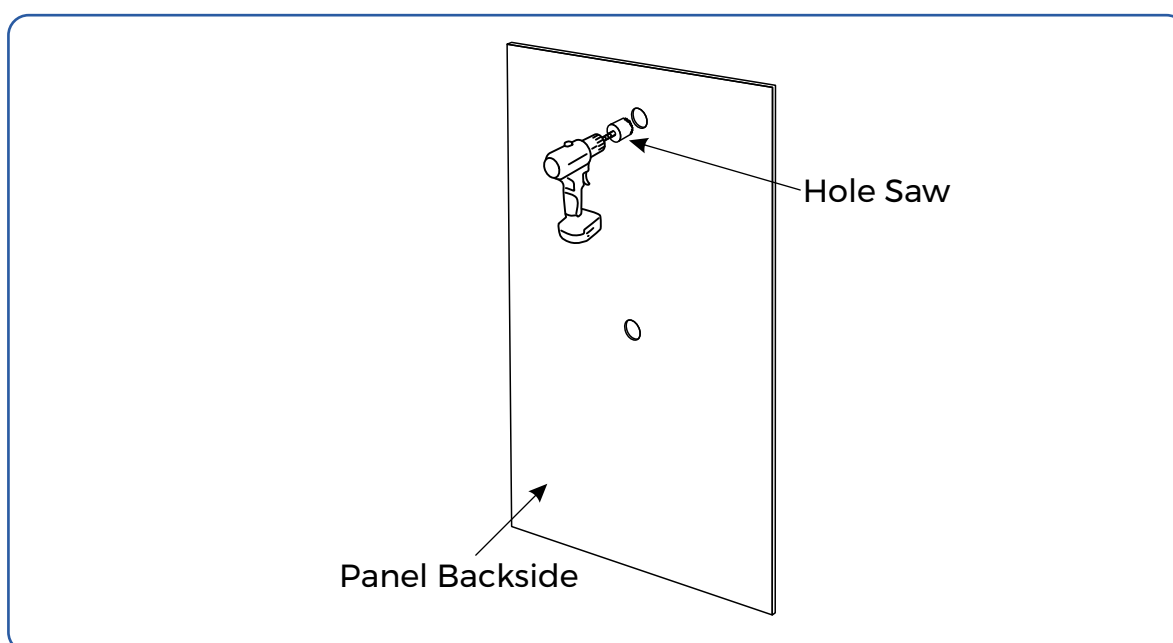
5. For precise alignment, begin by measuring the vertical distance from the center of each plumbing fixture to the shower base. Next, measure the horizontal distance from the fixture's center to the back wall panel. Transfer these measurements to the front side of the panel, clearly marking the center points of each fixture.



6. To ensure your measurements are accurate, create a cardboard template matching the plumbing cutouts. Test the template on the wall to confirm the fit before cutting into the panel.

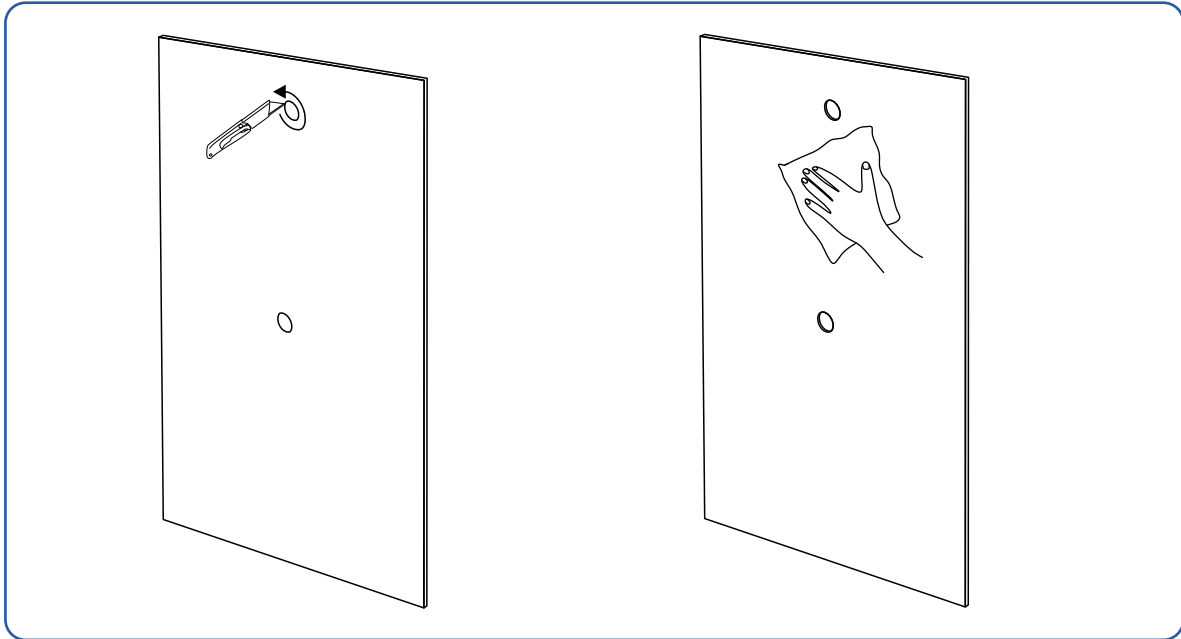


- To prevent scratching or damaging the panel's surface, drill holes from the backside of the panel, keeping the finished side protected.
- Use a hole saw sized appropriately for each plumbing fixture, such as the showerhead, filler spout, and faucet handles. Drill carefully to create clean cutouts for the installed fixtures.



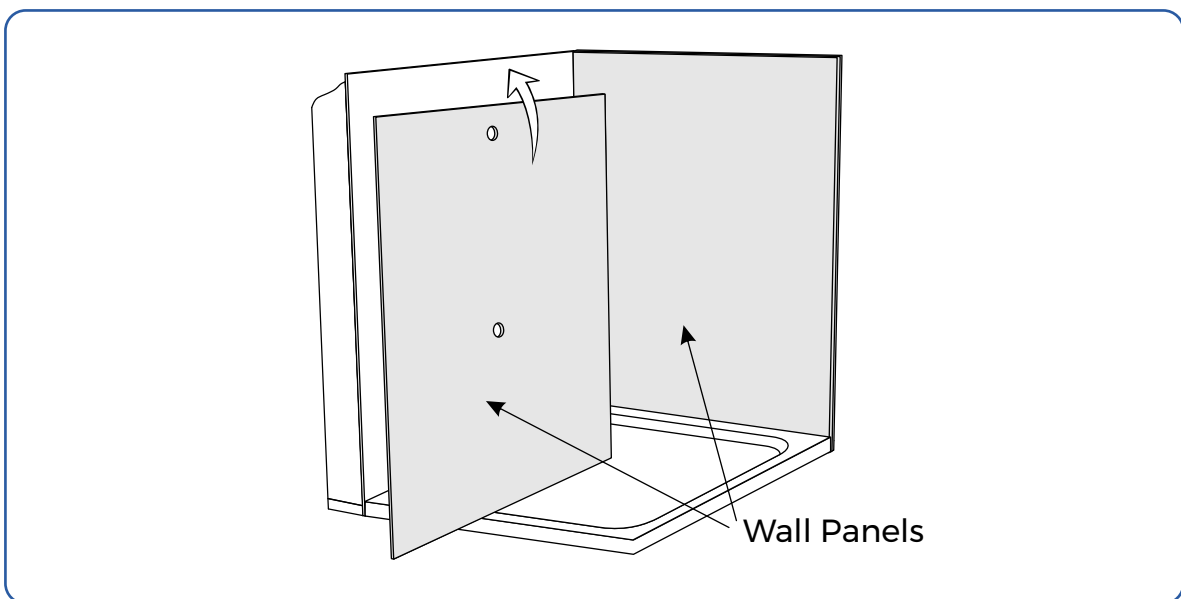
c. If using a utility knife, score the cutting line several times.

Important: When drilling, always drill from the finished side to prevent damage. Once cutting is complete, clean both the panels and the walls with a damp cloth to remove dust or debris and ensure everything is completely dry before continuing with installation.

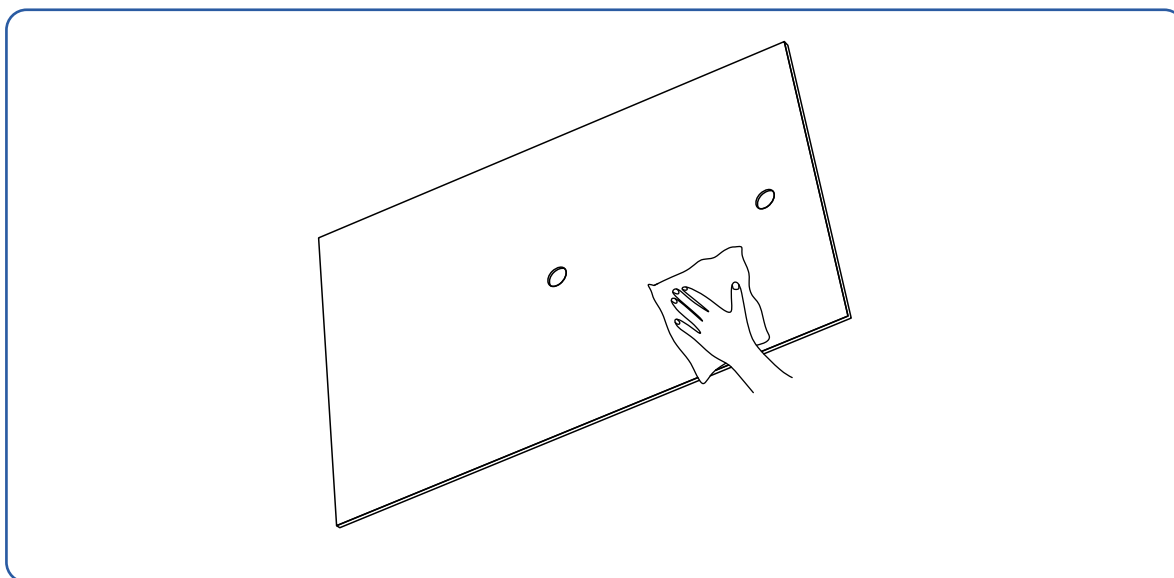


d. When installing a recessed accessory, ensure the panel is fully secured and adhered to the wall before making any cuts. Select the accessory's placement carefully, considering the location of wall studs to avoid interference.

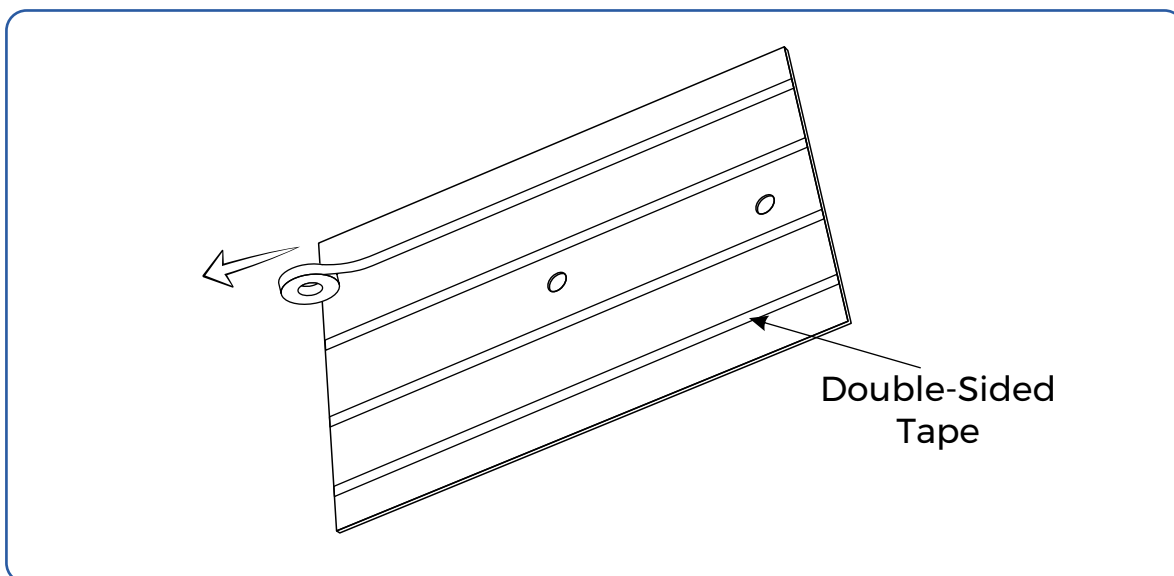
7. After drilling the holes, place the panel against the wall to verify that all openings align precisely with the plumbing fixtures.



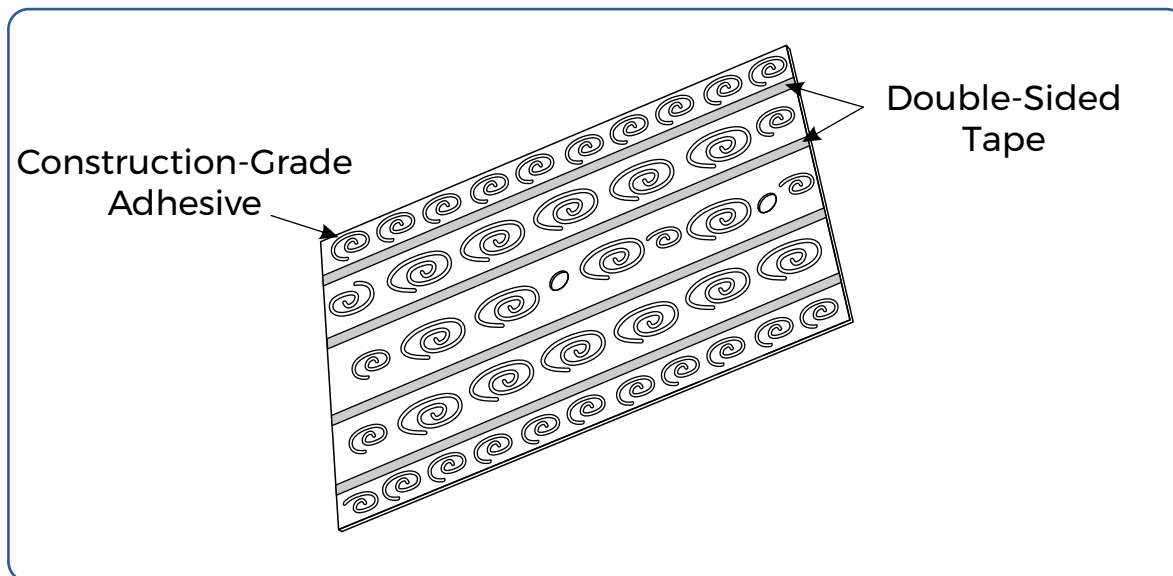
8. Clean all panels and walls with a damp cloth to remove any dust or debris, then allow them to dry completely before proceeding.



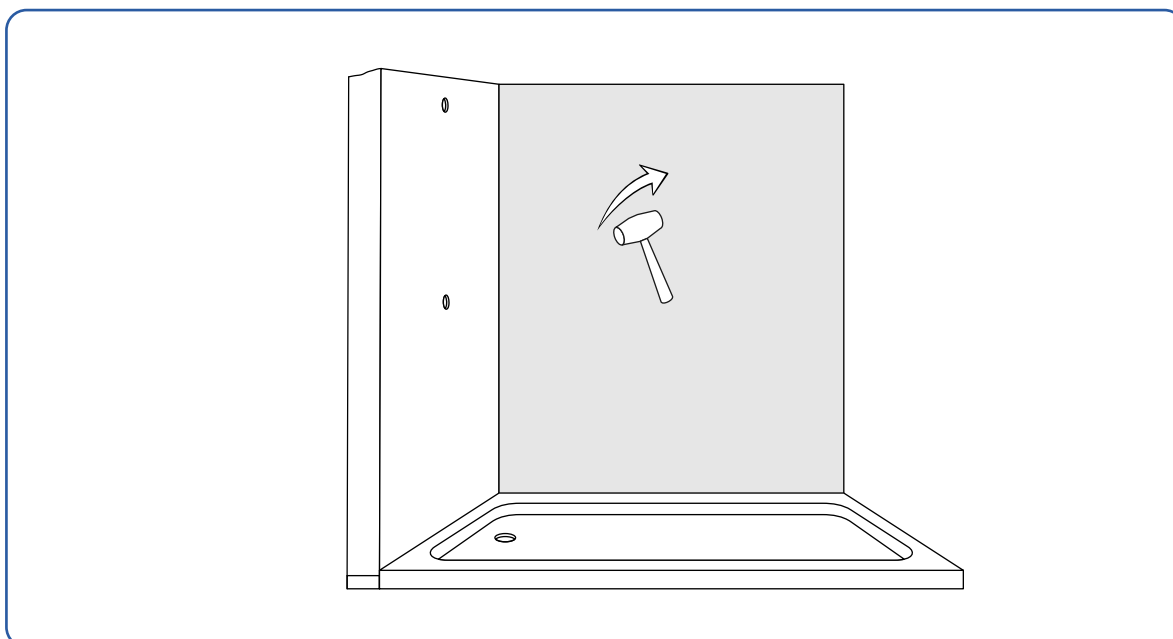
9. Apply the provided double-sided construction tape to the back of the panel in evenly spaced vertical strips, following the illustration for proper placement.



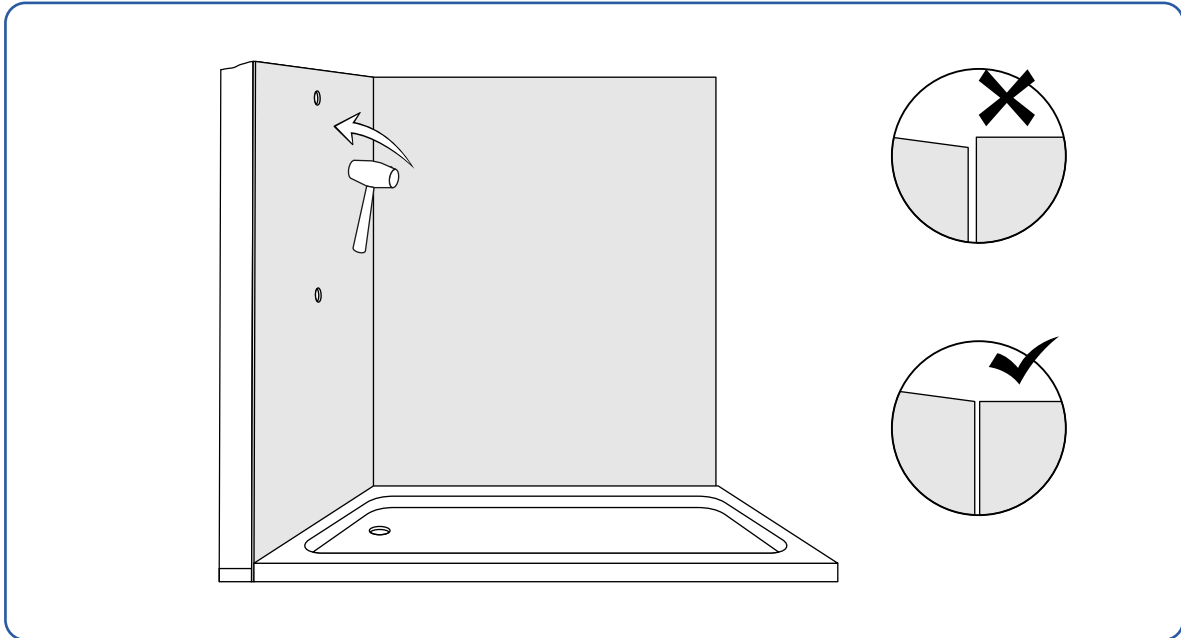
10. Apply a construction-grade adhesive between the taped areas in a circular pattern, ensuring the beads of adhesive are spaced 2 inches apart. Keep the adhesive up to, but no closer than, 1 inch from the panel edges.
- a. Using a circular adhesive pattern is essential to achieve proper bonding and secure installation.



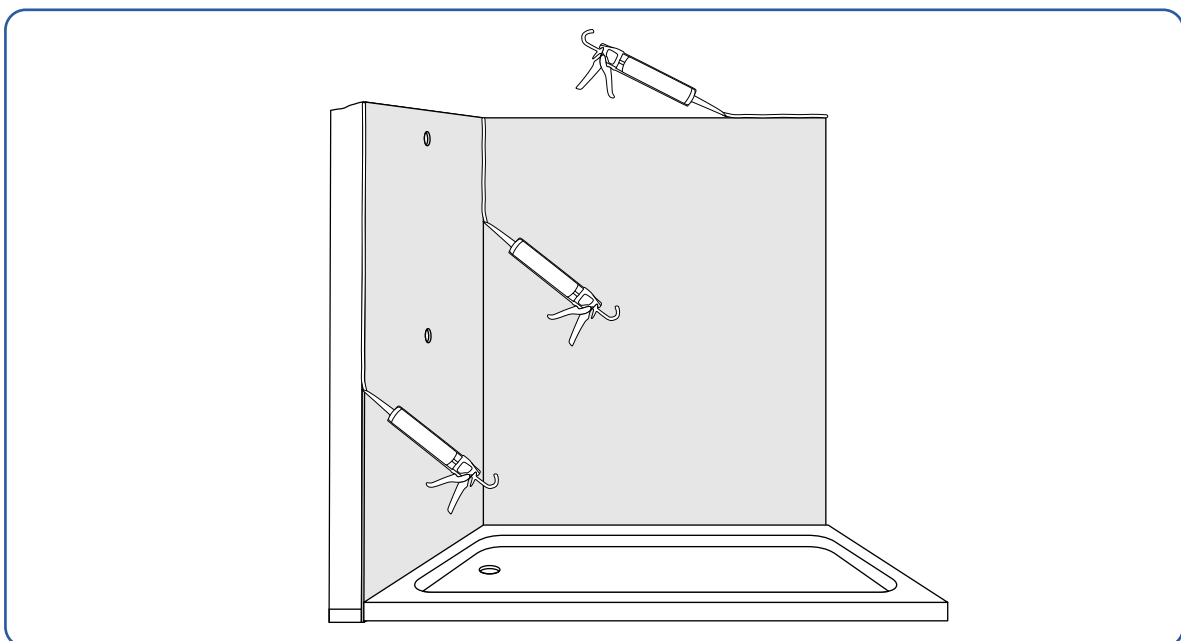
11. **Installing the Right-Side Wall Panel:** Press the panel firmly against the wall, smoothing out any air bubbles across its surface. Use a rubber mallet to gently tap the panel from top to bottom, ensuring it is securely adhered and tightly connected to the wall.



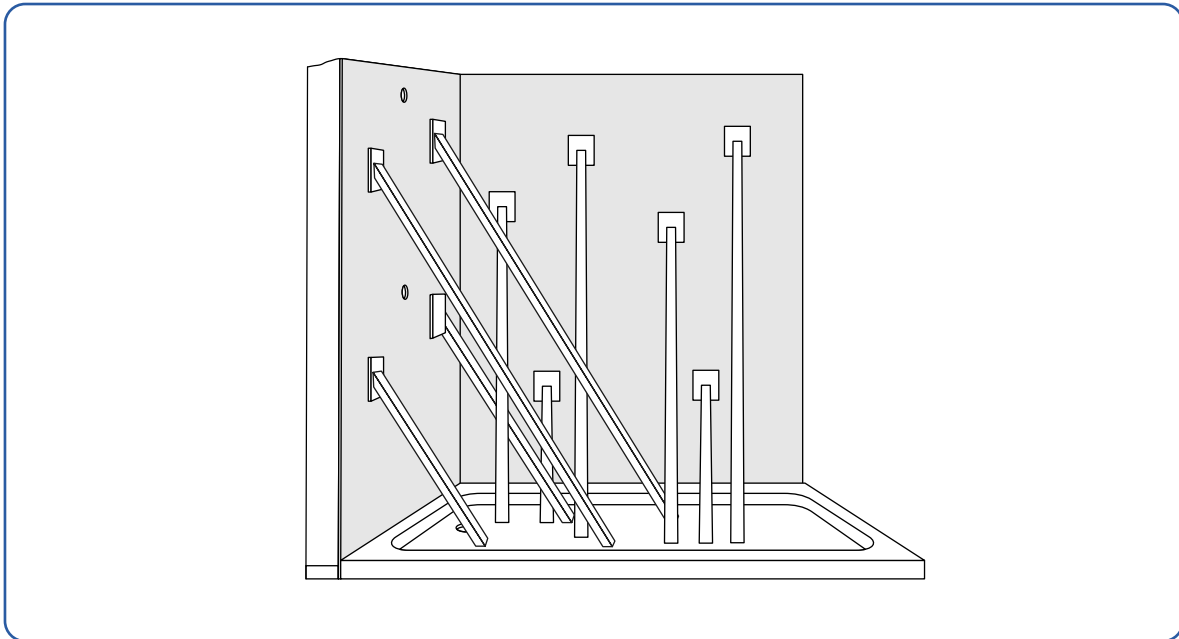
12. **Installing the Left-Side Wall Panel:** Position the left-side wall panel so that it aligns perfectly with the installed right-side panel, ensuring the edges of both panels meet seamlessly. Press the panel firmly against the wall, smoothing out any air bubbles across the surface. Use a rubber mallet to gently tap from top to bottom, ensuring the panel is securely adhered and properly aligned with the adjacent panel.



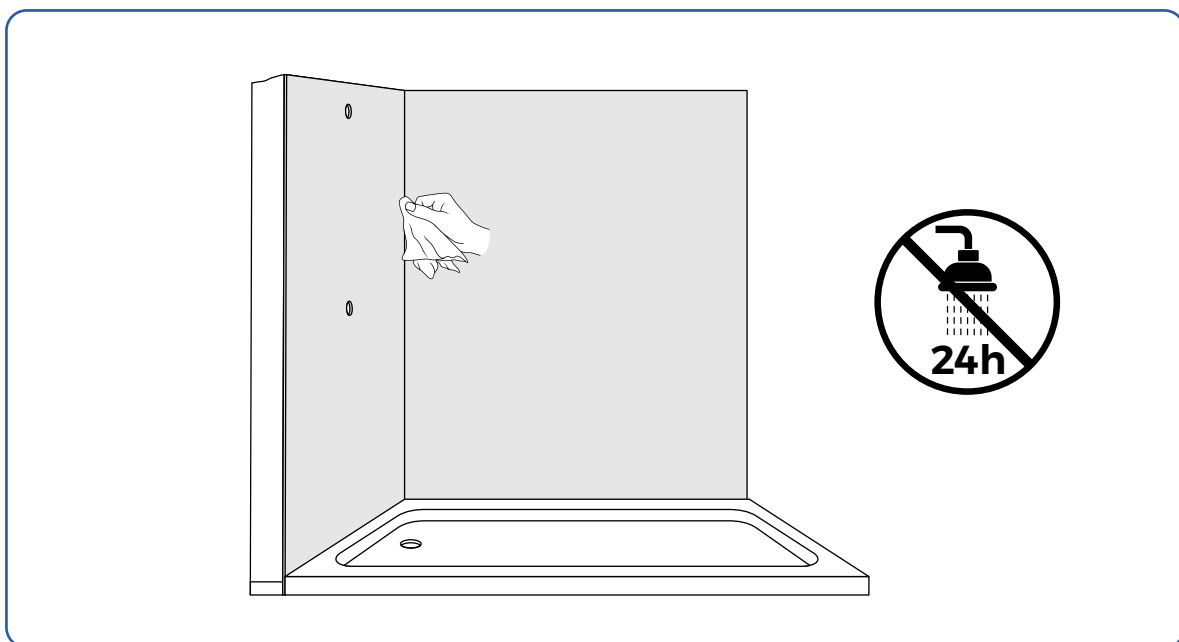
13. To ensure a secure and polished finish, properly apply caulk around the shower wall system. Focus on key areas such as the interior corners where the shower walls meet, the joints where the walls meet the base, and the outer edges of the side wall panels. Additionally, while optional, caulking along the top edge of the entire enclosure can contribute to a more refined and finished appearance. Apply the caulk evenly to achieve a clean, professional look.



14. For optimal adhesion of the wall panels, apply consistent pressure during the curing process using bars or wooden supports. Ensure the pressure is evenly distributed across each panel to achieve a secure bond.



15. Ensure the entire area remains dry for at least 24 hours to allow the caulk and construction adhesive to fully cure.
- a. After the caulk and adhesive have fully cured, use denatured alcohol and clean painter's rags to remove any residue left from the installation process.



6. Product Care Guide

Proper maintenance of your shower walls will ensure their durability, functionality, and aesthetic appeal for years to come. Follow these care instructions to keep your shower walls in excellent condition:

1. Cleaning Your Shower Walls



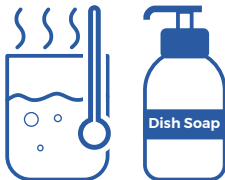
Regular Cleaning

Wipe down the walls after each use with a soft, damp cloth or sponge to remove soap scum, water spots, and grime.



Weekly Maintenance

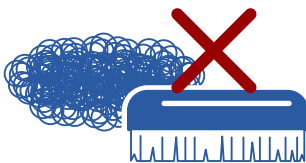
Use a mild, non-abrasive cleaner designed for bathroom surfaces. Avoid harsh chemicals such as bleach or ammonia, as they may damage the finish.



Stubborn Stains

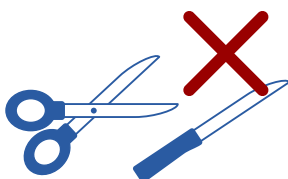
For tough spots, use a mixture of warm water and dish soap or a solution of white vinegar and water. Rinse thoroughly and dry with a microfiber cloth.

2. Preventing Damage



Avoid Scratches

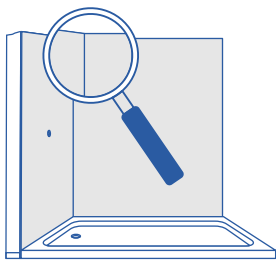
Do not use abrasive pads, steel wool, or harsh scrub brushes on the surface, as they may cause scratches or dull the finish.



No Sharp Tools

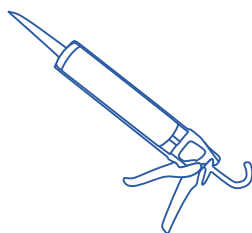
Never use sharp objects or tools to remove residue or buildup; instead, use a plastic scraper if necessary.

3. Maintaining Seals and Caulk



Inspect Regularly

Check the caulk and seals around the edges of your shower walls for cracks or gaps.



Reapply as Needed

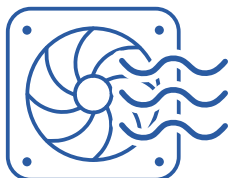
Reapply silicone caulk every 12-18 months or as needed to maintain a watertight seal.

4. Managing Hard Water and Mold



Prevent Water Spots

Dry the walls after each use to reduce mineral buildup from hard water.



Control Mold and Mildew

Keep the bathroom well-ventilated by using an exhaust fan or opening a window. If mold appears, clean with a diluted vinegar solution and rinse thoroughly.

By following these simple care and maintenance tips, your shower walls will remain a functional and stylish part of your bathroom for years to come.

7. Warranty

LIMITED WARRANTY EXCLUSION

ALL OTHER WARRANTIES EXPRESS OR IMPLIED INCLUDING ALL IMPLIED WARRANTIES OF MERCHANTABILITY OF FITNESS FOR A PARTICULAR PURPOSE ARE HEREBY DISCLAIMED. STREAMLINE® IS NOT LIABLE FOR ANY INDIRECT, PUNITIVE, INCIDENTAL, CONSEQUENTIAL, SPECIAL OR SIMILAR DAMAGES INCLUDING, BUT NOT LIMITED TO, TIME AWAY FROM WORK, HOTELS AND/OR RESTAURANT MEALS, REMODELLING EXPENSES IN EXCESS OF DIRECT DAMAGES WHICH ARE DEFINITELY CAUSED EXCLUSIVELY BY STREAMLINE®, LOST PROFITS OR REVENUE, INABILITY TO USE THE PRODUCT, OR ANY OTHER ASSOCIATED EQUIPMENT, THE COST OF SUBSTITUTE EQUIPMENT, AND ANY CLAIMS BY THIRD PARTIES RESULTING FROM THE USE OF THIS PRODUCT.

UNDER NO CIRCUMSTANCES SHALL STREAMLINE'S LIABILITY EXCEED THE PURCHASE PRICE OF THE UNIT

STREAMLINE® PRODUCTS MUST BE INSTALLED BY A FULLY INSURED, LICENSED, PROFESSIONAL WHO SHALL FOLLOW THE INSTRUCTIONS PROVIDED BY STREAMLINE®. SHOULD THE PRODUCT BE INSTALLED BY AN INDIVIDUAL WHO IS NOT A FULLY INSURED, LICENSED PROFESSIONAL, THIS SHALL VOID THE WARRANTY OF THE PRODUCT.

SHOULD A WARRANTY CLAIM ARISE AND EITHER PARTS, REPLACEMENT, OR REPAIR OF THE STREAMLINE PRODUCT IS NECESSARY, FULFILLING THE INITIAL WARRANTY CLAIM SHALL DISCHARGE STREAMLINE® OF ANY FUTURE WARRANTY OBLIGATION. IF THE PURCHASER REFUSES THE WARRANTY SOLUTION PROVIDED BY STREAMLINE®, THIS ACT SHALL VOID THE WARRANTY. UNDER BOTH INSTANCES, STREAMLINE® WILL NOT BE HELD RESPONSIBLE FOR ANY COSTS ASSOCIATED WITH SERVICING THE WARRANTY

NO PERSON MAY MAKE ANY REPRESENTATION, AFFIRMATION, OR WARRANTY OTHER THAN THOSE CONTAINED IN THIS WARRANTY. ANY AFFIRMATION, REPRESENTATION OR WARRANTY BY ANY PERSON WHO IS NOT A STREAMLINE® EMPLOYEE SHALL NOT BE ENFORCEABLE AGAINST STREAMLINE®

Streamline® makes no representations about the quality, durability, or need for service or repair of its products other than the representations contained in this warranty. If you want a longer or more comprehensive warranty than the limited warranty that comes with this product, you should ask Streamline® or your retailer about buying an extended warranty. This warranty gives you specific legal rights, and you may have other rights that vary from state to state. Some states do not allow the exclusion or limitation of incidental or consequential damages, and some states do not allow limitations on how long an implied warranty lasts, so the limitations or exclusions stated above may not apply and may vary from state to state.

The warranties stated herein apply only to the first purchaser of the Product and are not transferable. Streamline® reserves the right to request proof of purchase at the time any warranty claim is submitted to confirm that the Product falls within the scope of this limited product warranty.

OUT OF WARRANTY PRODUCT

STREAMLINE® IS UNDER NO OBLIGATION, AT LAW OR OTHERWISE, TO PROVIDE YOU WITH ANY CONCESSIONS, INCLUDING REPAIRS, PRORATES,

LIMITED MANUFACTURER'S WARRANTY

All parts and finishes of Streamline® products are warranted to the original consumer purchaser to be free from defects in material and workmanship for a period of two to five years [depending on the product and model; please check the product listing or email us at support@streamlinebath.com if you are unsure] after the date of original retail purchase. Proof of the original purchase is required to obtain a remedy under this limited warranty. Streamline® recommends using a certified professional for all installation and repair of kitchen and bathroom fixtures.

Streamline® will replace, free of charge, during the warranty period any part or finish that proves defective in material and/or workmanship under normal installation, use and service. Replacement parts may be obtained by emailing us at support@streamlinebath.com

This warranty is extensive in that it covers replacement of all defective parts and even finish, but these are the only two things that are covered. Labor charges and/or damage incurred in installation, repair, or replacement as well as any other kind of loss or damages are excluded. Proof of purchase (original sales receipt) from the original consumer purchaser must be made available to Streamline® for all warranty claims. This is the exclusive warranty by Streamline®, which does not make any other warranty of any kind, including the implied warranty of merchantability. This warranty excludes all industrial, commercial and business usage, whose purchasers are hereby extended a one-year limited warranty from the date of purchase, with all other terms of this warranty applying except the duration of the warranty.



WHAT IS NOT COVERED UNDER THIS LIMITED WARRANTY

- Normal wear and tear, spills of food, liquid, grease accumulations or cosmetic damage.
- Damage due to accidents, misuse, physical force, improper installation or operation, mishandling, neglect, fire, heat, water, humidity, liquids, insect infestation, or other intrusion.
- Products that have been repaired, altered or modified by anyone other than Streamline® or its authorized service representative.
- Damage caused by use of non-Streamline® accessories or misapplication.
- Products whose serial numbers have been removed, altered or rendered illegible.
- Products purchased, shipped from, used or serviced outside the United States, Canada, and Mexico.
- Damage caused by acts of nature such as, but not limited to, lightning damage.
- Products returned without valid proof of purchase.
- Consumable parts such as light bulbs, metal, and charcoal filters.
- Any party's willful misconduct, negligence, misuse, abuse, accidents, neglect, improper operation, failure to maintain, improper or negligent installation, tampering, failure to follow operating instructions, mishandling, unauthorized service (including self-performed "fixing" or exploration of the product's internal workings).
- Use of corrosive or abrasive cleaning products.
- Cosmetic damages including scratches, dents, chips and other damage, unless such damage results from defects in materials and workmanship and is reported to Streamline within 3 calendar days of delivery.
- Use of the Product in anything other than its normal, customary and intended manner.
- A failure to comply with any applicable state, local, city or county electrical, plumbing and/or building codes, regulations, or laws, including failure to install the product in strict conformity with local fire and building codes and regulations.
- In no event shall Streamline have any liability or responsibility whatsoever for damage to surrounding property, including cabinetry, floors, ceilings, and other structures or objects around the product.

NO ATTEMPT TO ALTER, MODIFY, OR AMEND THIS WARRANTY SHALL BE EFFECTIVE UNLESS AUTHORIZED IN WRITING BY AN OFFICER OF STREAMLINE.