





## IMPORTANT, RETAIN FOR FUTURE REFERENCE: READ CAREFULLY

### Safety

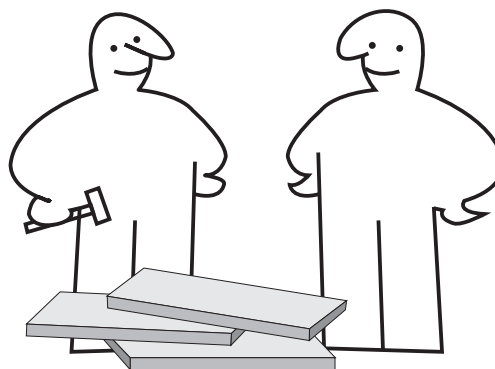
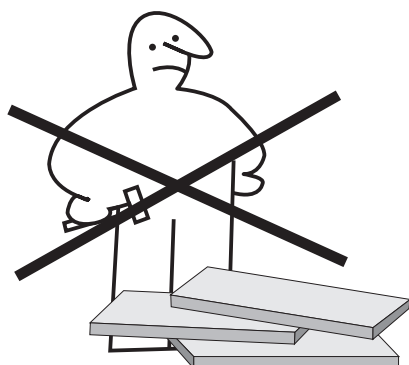
- For domestic use only.
- Always use on firm level ground.
- Don't tighten all the bolts before the product is fully assembled.
- It would be useful to ask someone to help you assemble the product.
- Periodic structural checks of this product should be undertaken, do not use if you have any doubts about its fitness for purpose.
- Do not stand on the seat.
- Do not sit on the armrest.
- Do not let children play with this product.
- Maximum load per seat: 350 lbs.
- This product is unrestricted to use between 14 degrees to 122 degrees. If used for more than 12 hours outside this temperature range, then rattan will stiffen or break.

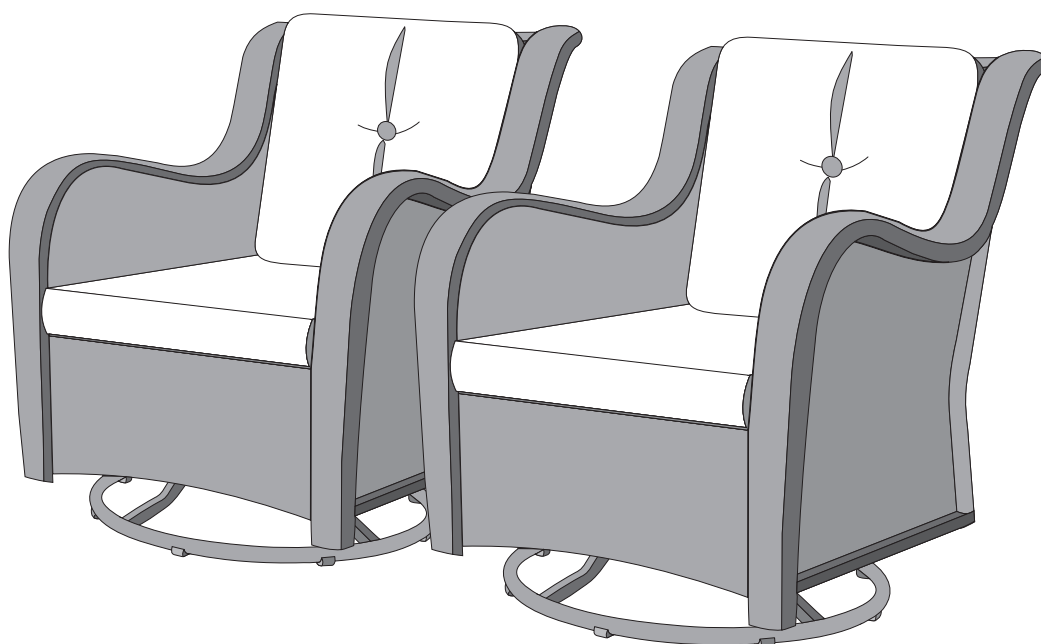
### At the beginning of the season

- Check to ensure that all components and fixings of this product are secure, do not use if you have any doubts about its fitness for purpose.

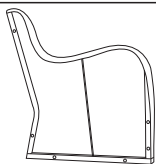
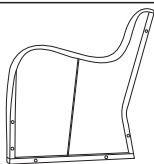
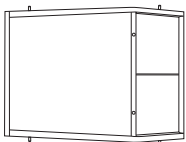
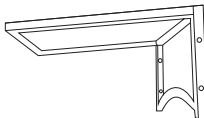
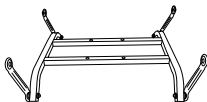
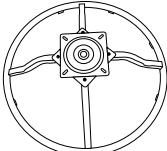
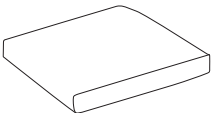
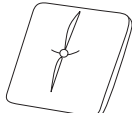
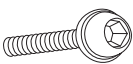
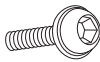



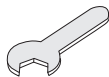
### At the end of the season

- This product should be stored under cover during prolonged spells of adverse weather (wet or cold) and also during the winter (ideally in a garden shed or garage).
- Always clean and dry thoroughly before storage.

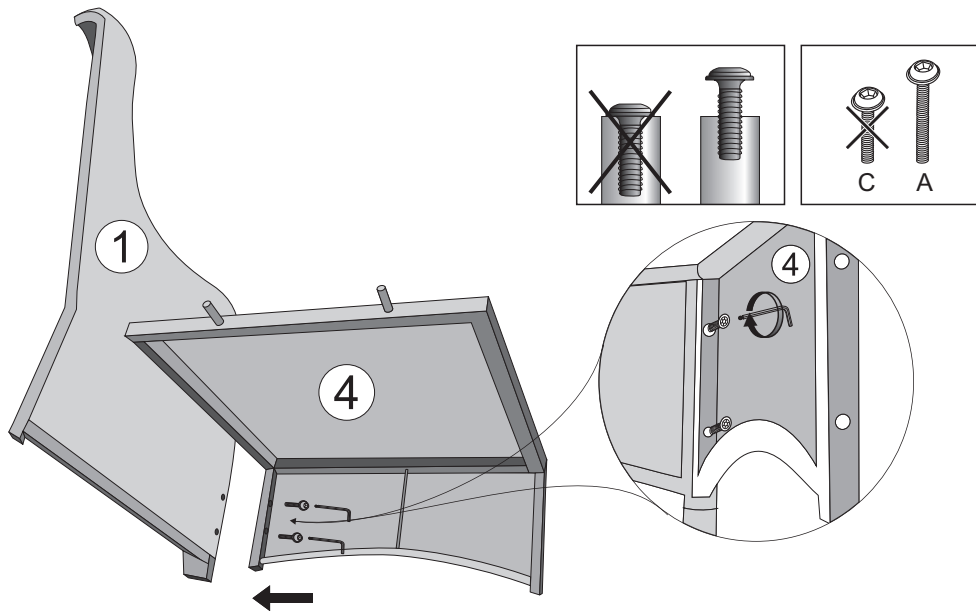




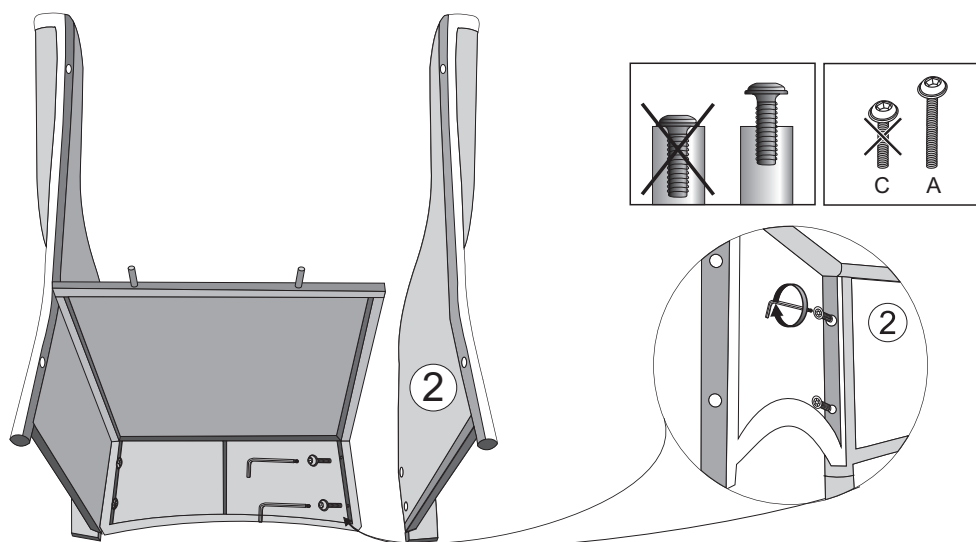
### Parts List:

NO.	Part	Qty	Image	NO.	Part	Qty	Image
①	Left arm	2		②	Right arm	2	
③	Chair back	2		④	Seat Panel	2	
⑤	Swing Bracket	2		⑥	Chair Base	2	
⑳	Seat Cushion	2		㉑	Back Cushion	2	
A	Screw (6x40mm)	24		C	Screw (6x20mm)	12	
N	Nut	16		S	Flat Washer	16	
L	Allen wrench	1		T	Open end Wrench	1	

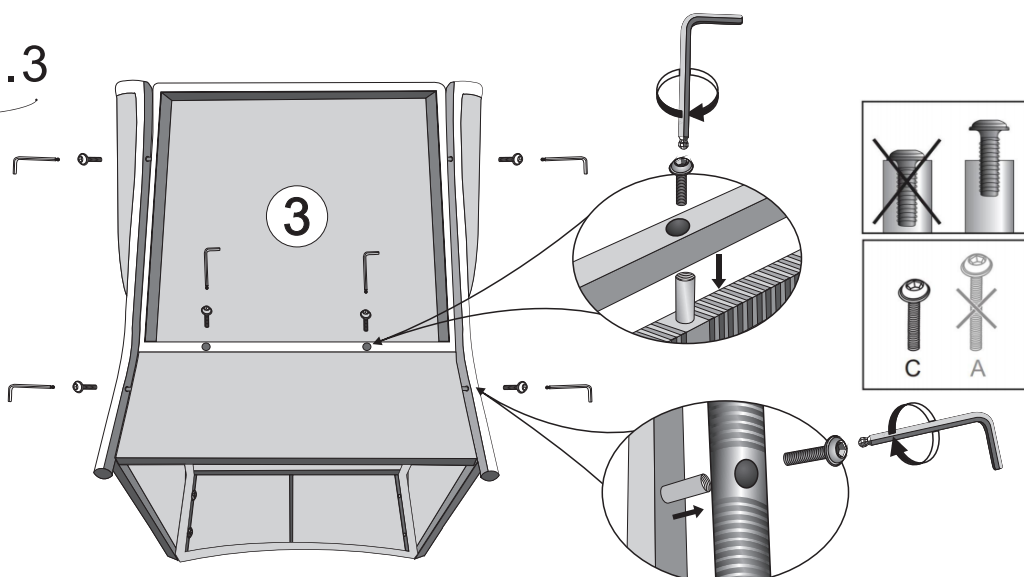
# Step.1



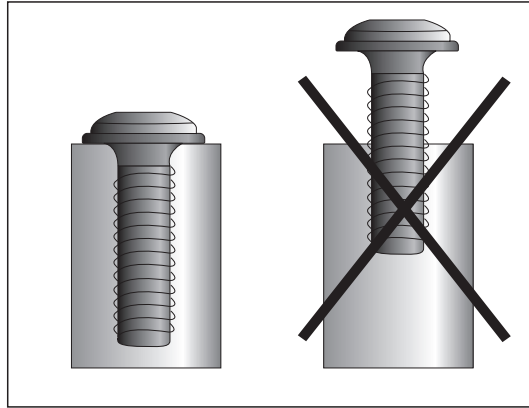
# Step.2



# Step.3

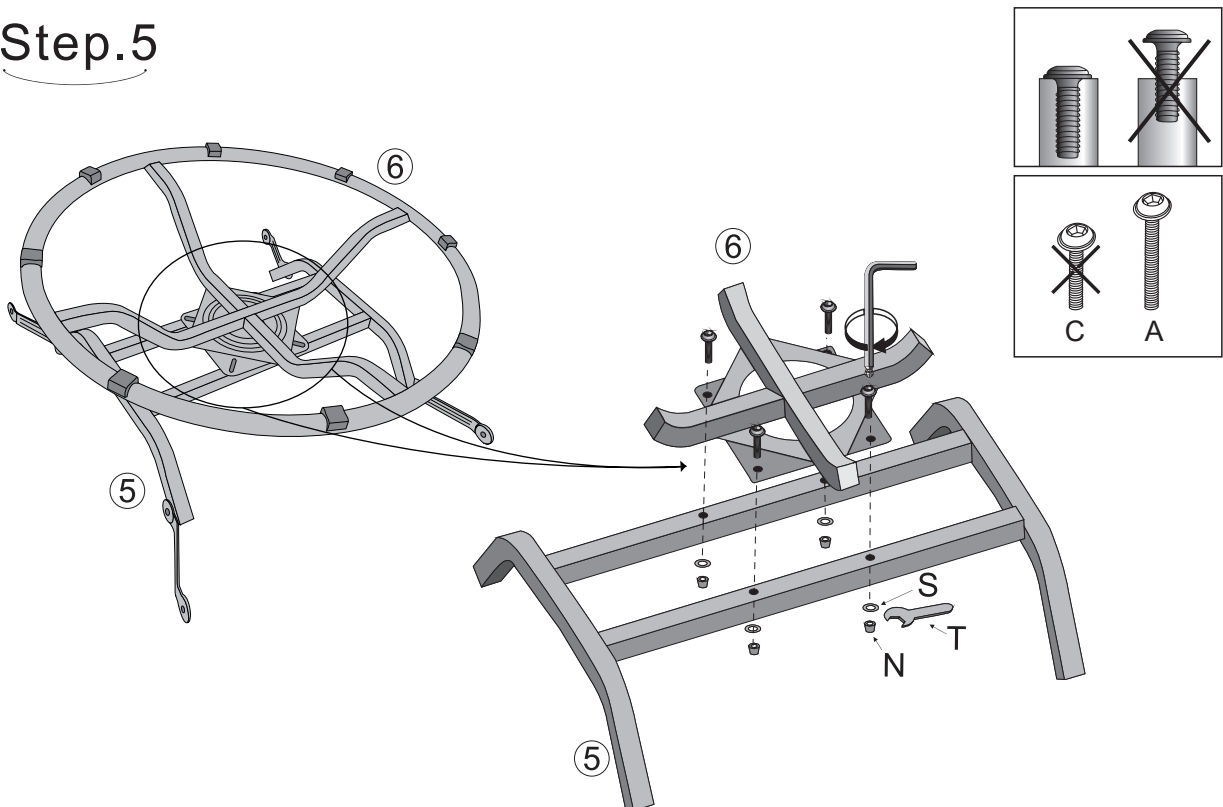


## Step.4

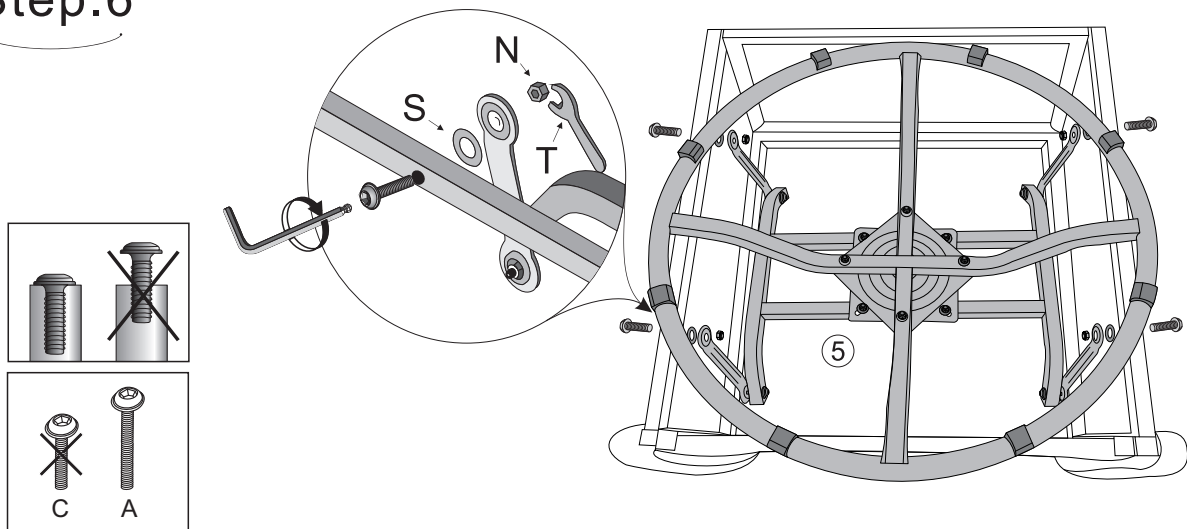


After all screws were inserted, please tighten all of them all the way through.

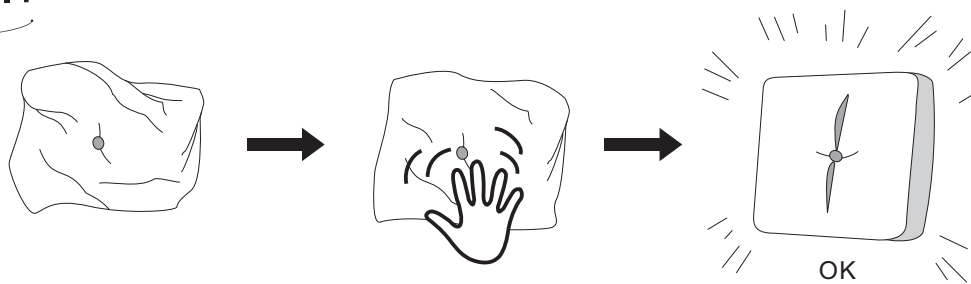
## Step.5



## Step.6



## Step.7



In order to compress the package, we put the cushions in the gap of some parts. So there may be crinkle on the fabric. Don't worry. Just flap every corner of the cushion evenly and it will get back into its original shape soon.

## Step.8

