



**Olivia 2**

MODEL #: 180

72.5" x 36.375" x 24.75"

**GENERAL SPECIFICATIONS**

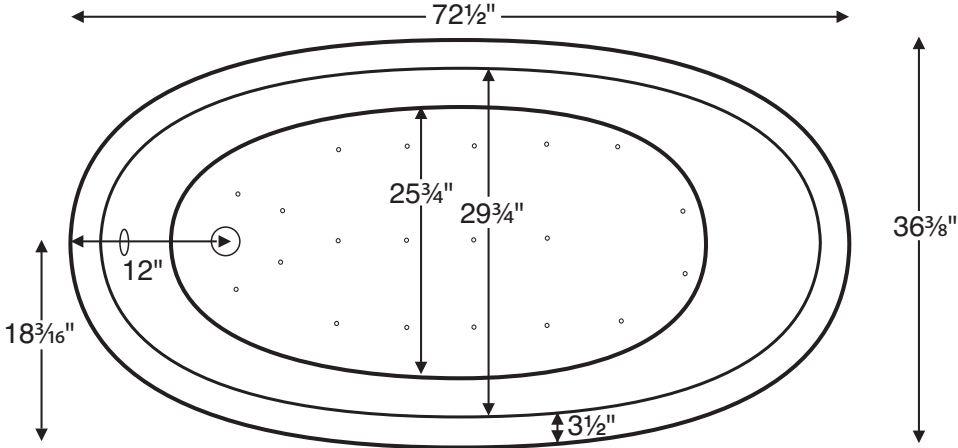
**Material** - Acrylic

**Installation** - Freestanding

**Soaker Weight** - 200 lbs / 91 kg

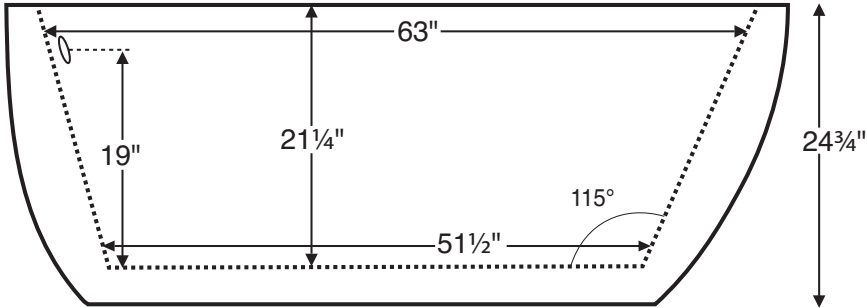
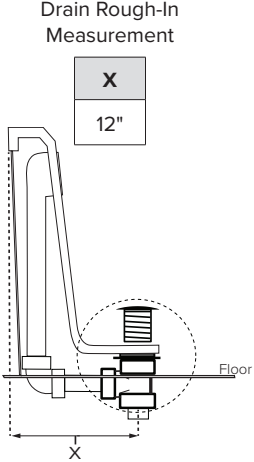
**Maximum Fill** - 78 gal to overflow

*NOTE: Filling this tub to the maximum may require an above average size or dedicated water heater.*



**IMPORTANT:**  
Must have access to the drain from underneath the tub for installation and servicing. Rough in directly under the tub drain.

Requires use of a wall-mounted or freestanding tub filler.  
Shown with Air Massage Package.



ELECTRICAL COMPONENTS & SPECIFICATIONS		
Required Electrical Service - 110 Volt		
Hydrotherapy Package	Components Included	GFCI
Air Massage	heated blower	1-15 amp
Air Massage Elite	heated blower, chromatherapy	1-15 amp

Electrical requirements may change with the addition of optional therapy components.  
See specific option details or installation information.  
CSA Certified C/US; ANSI Z124.1 and ANSI 112.19.7

- IMPORTANT ORDERING & INSTALLATION INFORMATION:**
- Before ordering or installing, please consider future access to equipment.
  - No access panel. Tub features factory installed overflow with toe tap drain.
  - Air baths require job site preparations for remote mounting the blower and required check valve. Check valve must be installed higher than the rim of the tub.
  - Hydrotherapy equipment may ship loose for remote installation depending on tub model. See package content on the following page for details.
  - Radiance placed on floor locations will affect placement of air jets.
  - Faucet valves cannot be installed on this tub model.

See the Installation & Operation Manual for more details.  
MTI's Customer Service: Monday-Friday 8am-6pm EST  
**800-783-8827** or [service@mtibaths.com](mailto:service@mtibaths.com)

- Before discarding tub crate, check for accessories that may be packaged inside.
- All product measurements are ±1/2".
- Specifications and configurations are subject to change without notice.
- Measurements herein supersede all others published prior to publication date below.

