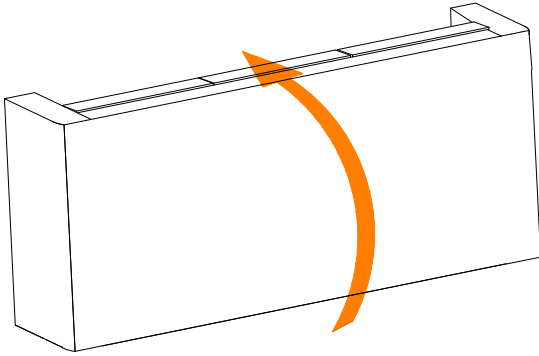


# Leg Assembly Instructions

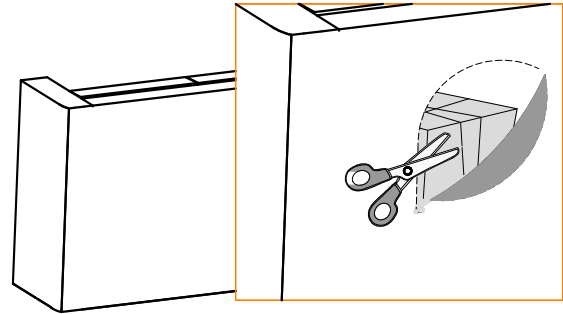
Made in China

## STEP 1



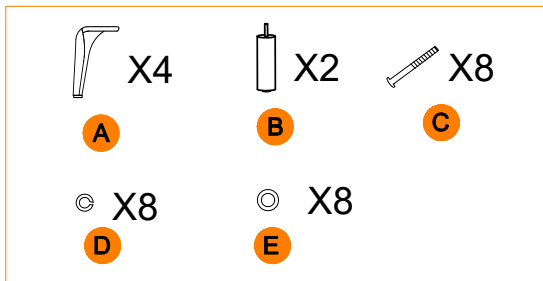
## STEP 2

Unzip the storage compartment, cut the strap and remove the package

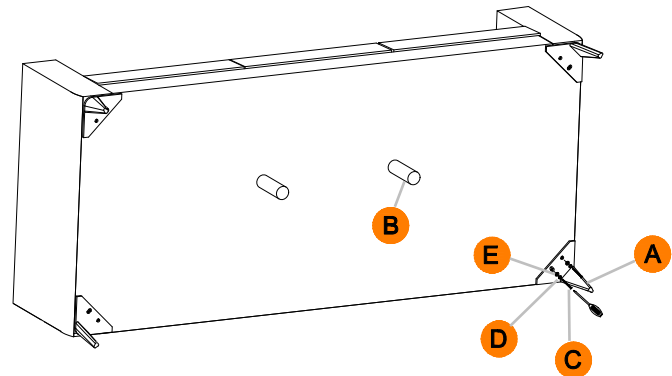


## STEP 3

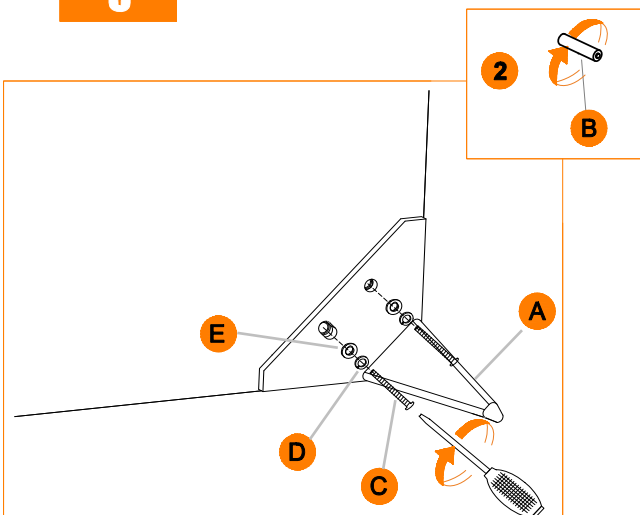
Unpack the parts package.



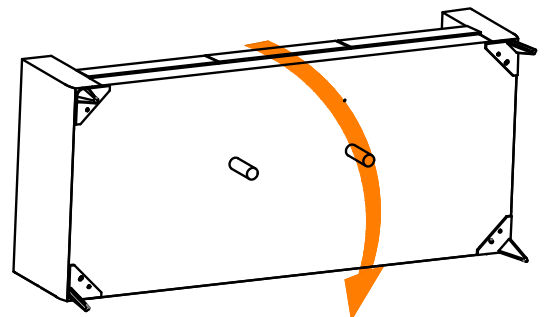
## STEP 4



## STEP 5



## STEP 6



■ If you encounter any problem, or need any assistance, please call 844-698-4670 or send an e-mail to [HELP@SIMONLI.COM](mailto:HELP@SIMONLI.COM).