

Assembly Instructions

Thank you for
purchasing a
product

For a chance to win a voucher
simply post a picture of your new product on
your preferred social channels tagging .
One winner will be selected at random each month.

*Terms & conditions may apply.

ASSEMBLY INSTRUCTIONS

2 DOOR FLUTED SIDEBOARD

IMPORTANT: READ THESE INSTRUCTIONS CAREFULLY BEFORE ASSEMBLING OR USING YOUR 2 DOOR FLUTED SIDEBOARD.

PLEASE KEEP THESE INSTRUCTIONS FOR FUTURE REFERENCE.

ASSEMBLY:

Assembly should be carried out with this item laying flat, not standing upright.

Assemble on a soft, clean surface to prevent damages.

To erase the numbers printed on the pieces, use the rubber inside the accessories pack.

HEALTH & SAFETY:

DO NOT use this product if any parts are missing, damaged or worn.

DO NOT use this product unless all fixings are secured.

Always use on a level, even surface.

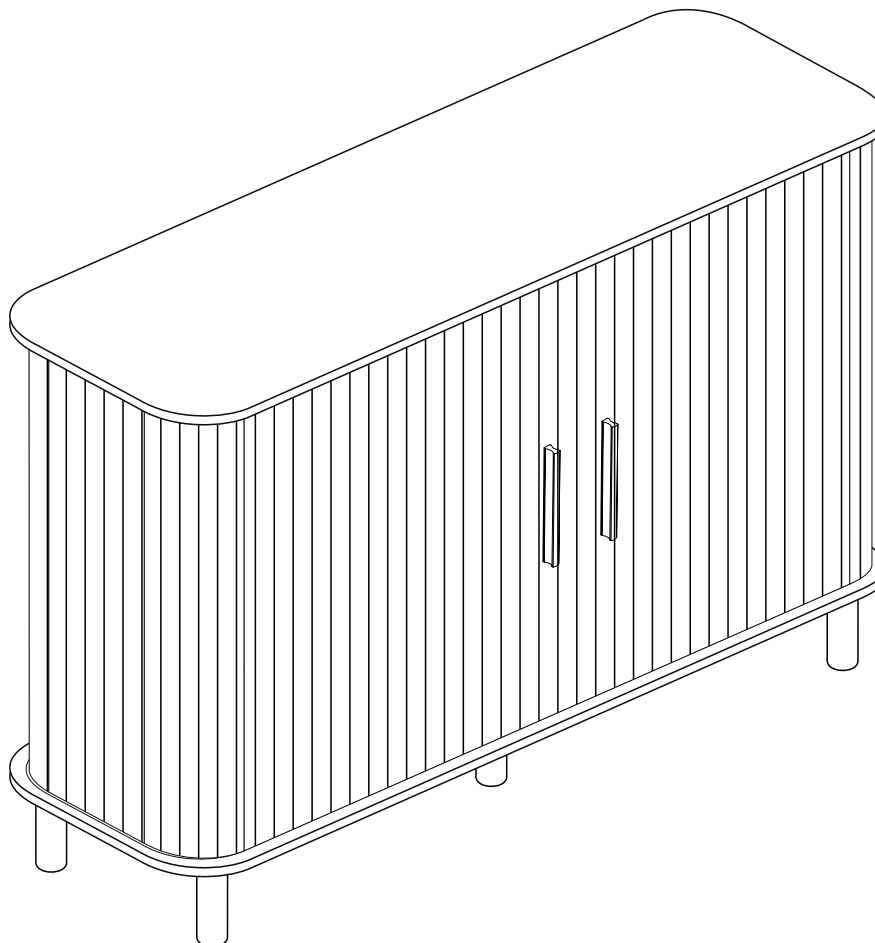
CARE & MAINTENANCE:

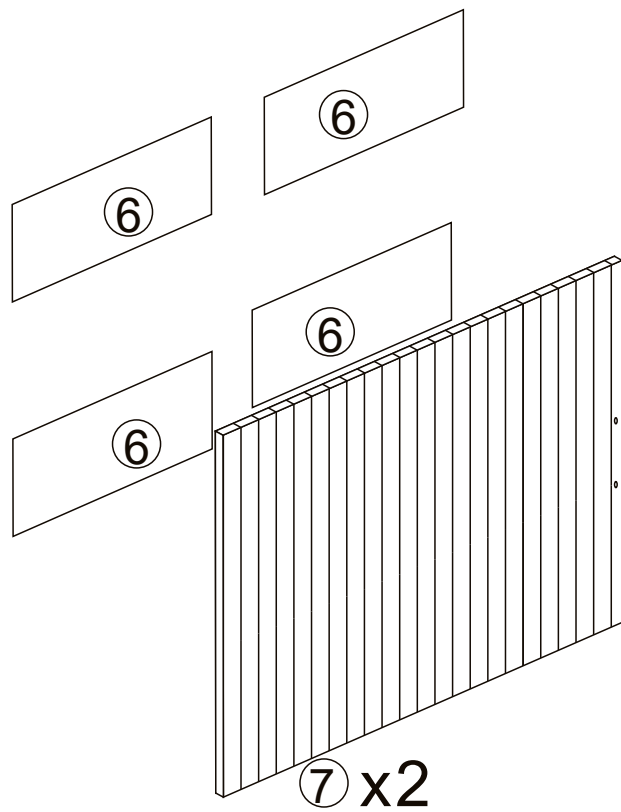
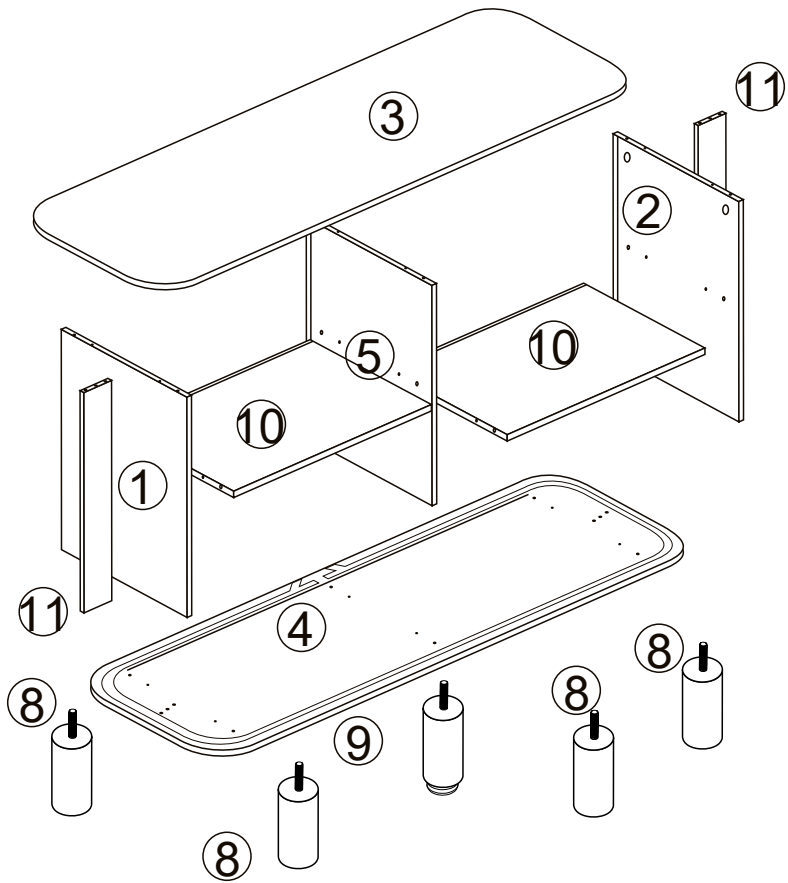
Periodically check all screws & fixings to ensure they are secure.


DO NOT push this product as this will cause damage.

Always lift this product with two people to repositions.

Keep any sharp objects away from this product.



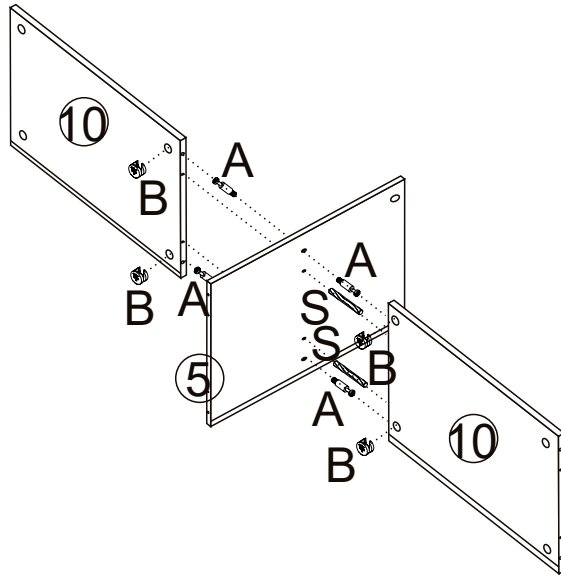


Parts List				Hardware List		
Part	Description	Box	QTY	Part	Description	QTY
1	Side Panel(Left)	2	1	A	Cam Bolt 	16
2	Side Panel(Right)	2	1	B	Cam Lock 	16
3	Top Panel	1	1	C	Wooden Dowel(M6X30MM) 	24
4	Bottom Panel	1	1	S	Wooden Dowel(M6X50MM) 	2
5	Side Panel(Middle)	2	1	E	Handle Set 	2
6	Back Panel	1	4	R	Metal Sheet 	1
7	Door Panel	1	2	Q	Screw 	6
8	Wooden Leg	1	4	H	Foot Pad 	4
9	Middle Wooden Leg	1	1	I	Plastic Wedge Set 	16
10	Middle Divider	1	2	J	Screw 	8
11	Connect Panel	2	2	K	Sticker 	6
				L	Allen Key 	1
				M	Washer 	2
				N	Safe Strap 	2

**** You will need a small mallet and a screwdriver for assembly.**
**** Some screws and wooden dowel may remain.**
**** Note : To secure the item to the wall.**

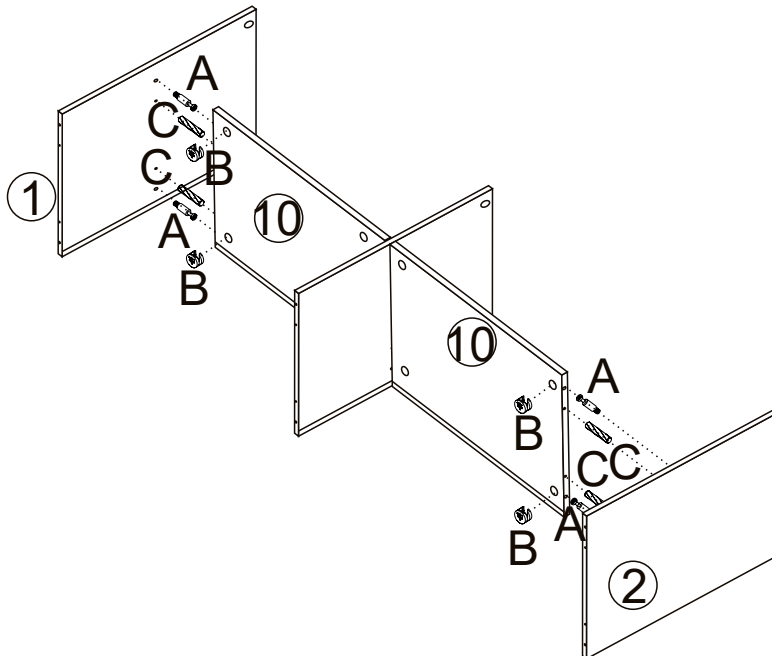
STEP 1: Attach two middle divider(10) with side panel (middle) (5) by hardware (A,B,S);
DO NOT use any power tools as this may damage the frame and will invalidate any claim.

AX4
BX4
SX2



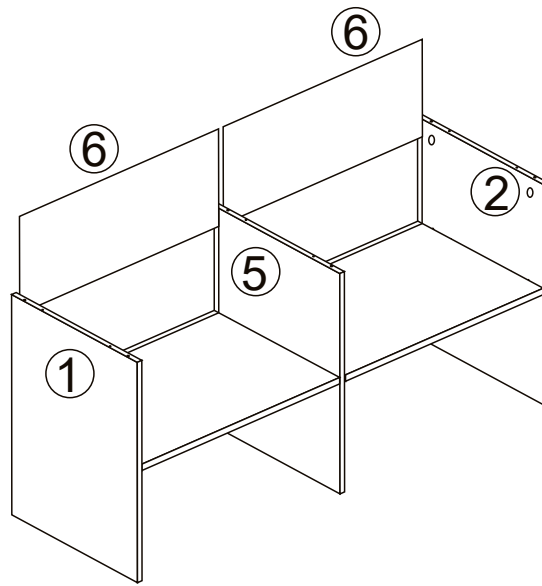
STEP 2: Attach the side panel (1),(2) with middle divider (10) by hardware (A,B,C).
DO NOT use any power tools as this may damage the frame and will invalidate any claim.

AX4
BX4
CX4



STEP 3: Insert two back panel(6) with side panel (1),(2),(5).

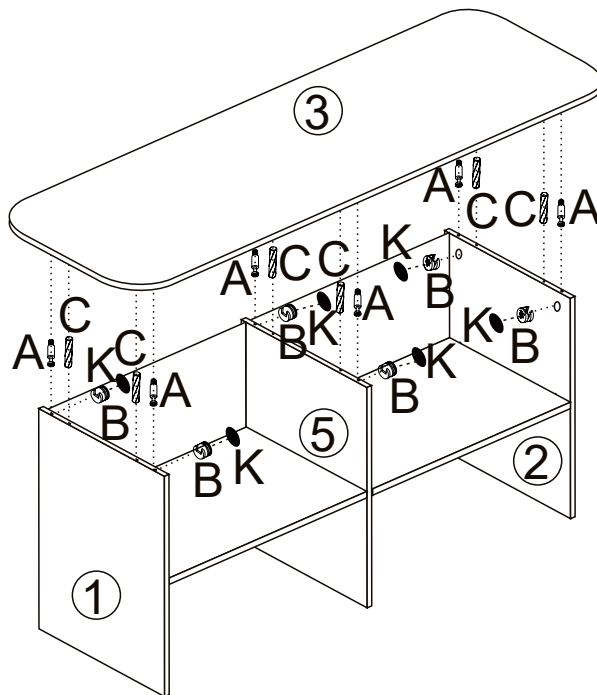
DO NOT use any power tools as this may damage the frame and will invalidate any claim.



STEP 4: Attach the top panel (3) with the chest frame by hardware (A, B,C,K).

DO NOT use any power tools as this may damage the frame and will invalidate any claim.

AX6
BX6
CX6
KX6

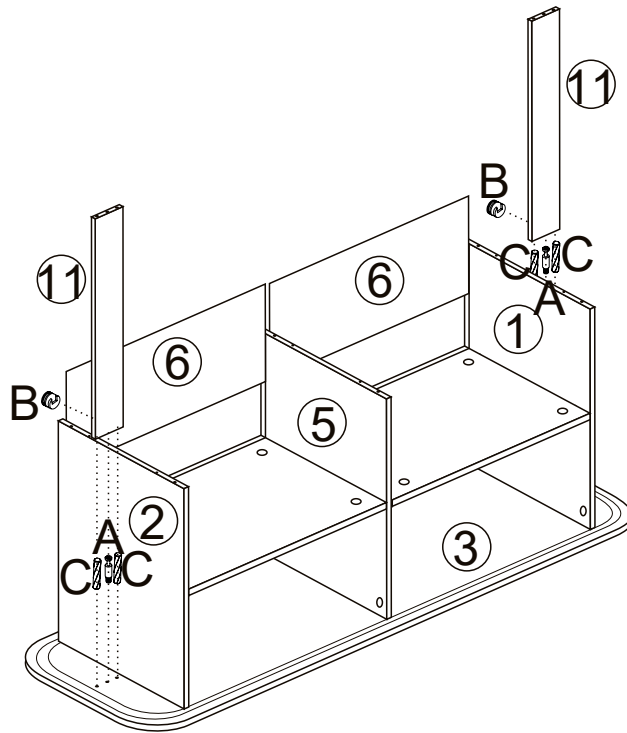


STEP 5: Insert two back panel (6) with side panel (1),(2), (5).

Attach the connect panel (11) on the top panel (3) by hardware (A,B,C).

DO NOT use any power tools as this may damage the frame and will invalidate any claim.

AX2
BX2
CX4

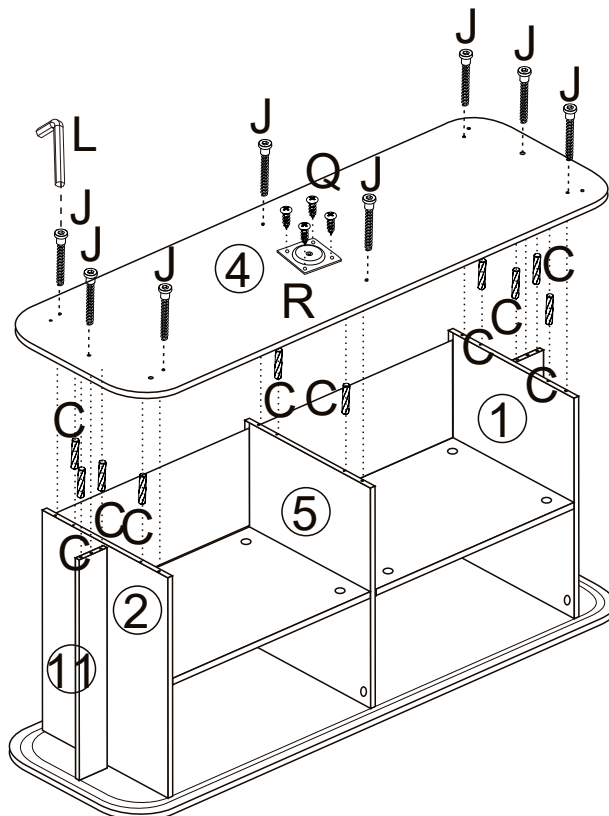


STEP 6: Attach the bottom panel(4) with side panels(1),(2),(5),connect panel (11) by hardware (C,J,L);

Attach hardware (R) on bottom panel (4) by hardware (Q).

DO NOT use any power tools as this may damage the frame and will invalidate any claim.

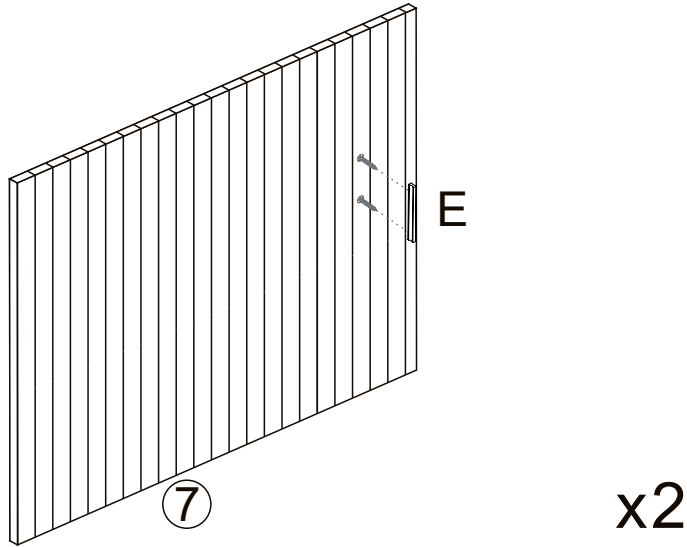
CX10
RX1
JX8
LX1
QX4



STEP 7: Attach the handle(E) with door panel (7).

DO NOT use any power tools as this may damage the frame and will invalidate any claim.

EX2

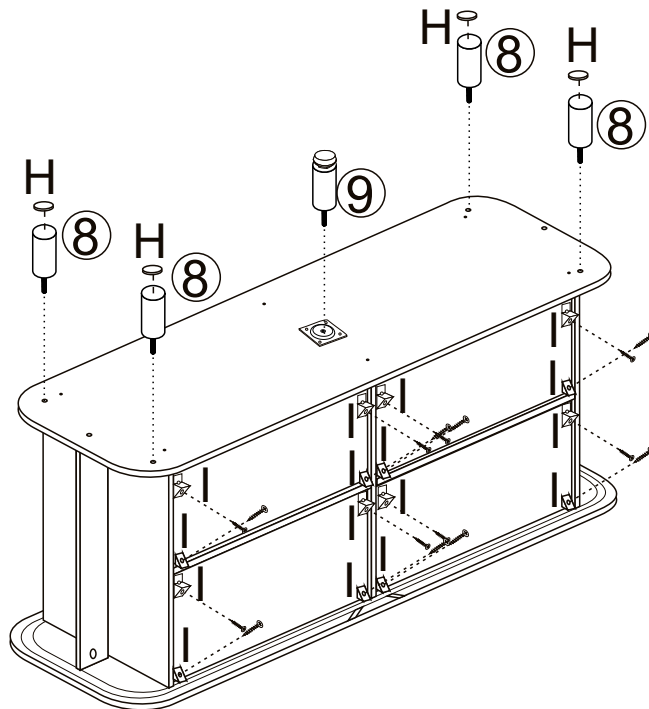


STEP 8: Insert the leg(8),(9);Then,attach the foot pad (H).

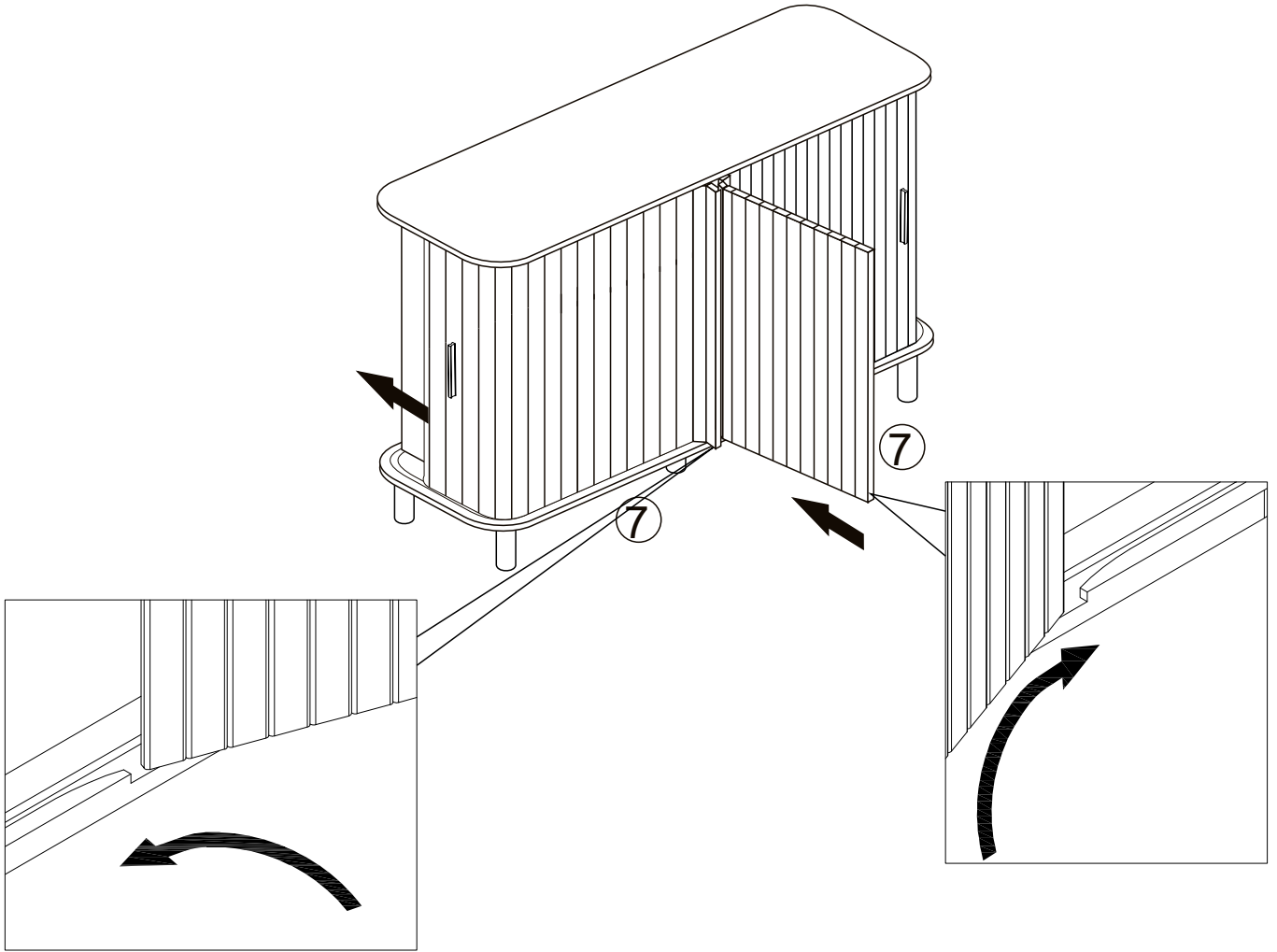
Attach the hardware (I) on the back.

DO NOT use any power tools as this may damage the frame and will invalidate any claim.

HX4
IX16

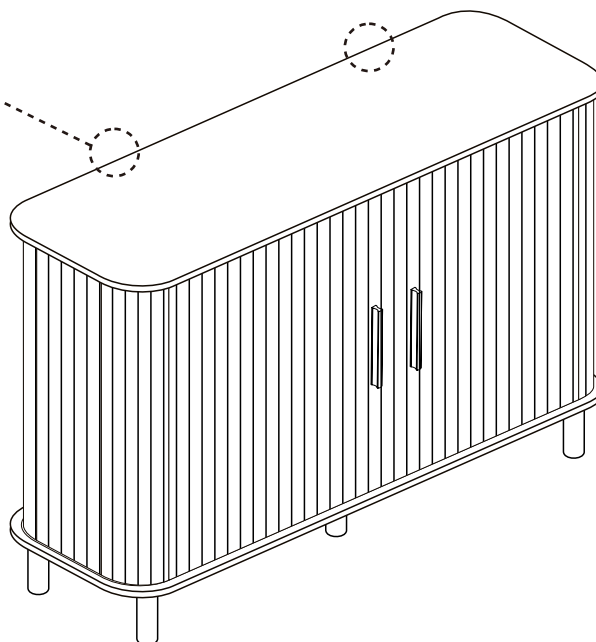
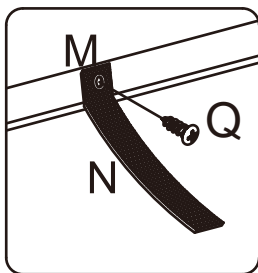


STEP 9: Insert two doors (7) by sliding each panel into the routed grooves at the back of the unit.
DO NOT use any power tools as this may damage the frame and will invalidate any claim.



STEP 10: Secure the safety strap (N) by hardware (M,Q).
DO NOT use any power tools as this may damage the frame and will invalidate any claim.

QX2
MX2
NX2



PLEASE NOTE that wall fixings are not supplied as different wall materials require different fixing devices. You must use fixings devices suitable for the type of wall you intend to mount product to. Ensure the head of any screw used has a diameter greater than the mounting hole and the fixing is safe and secure before use.



WARNING!

In order to prevent overturning this product must be used with the wall attachment device provided. Serious or fatal crushing injuries can occur from furniture tipping over. To help prevent topple over:-

- Use the wall attachment devices provided
- Never allow children to climb or hang on drawers or doors
- Do not overload the drawer beyond maximum recommended loading
- Place heaviest items in the lower drawers or shelves
- Unless specifically designed to accommodate, do not set TV's or other heavy objects on top of this product
- Never open more than one drawer at a time
- Do not hang things from the doors

An attachment device is provided with your product, however you will need to source suitable fixings for your wall type. If in doubt consult a qualified trades person.

Always ensure that the wall to be drilled into is free from hidden electrical wire, water and gas pipe.

We advise that the wall straps provided should be used to further enhance the safety of this product.

Additional Information:

- If you have any issues with your item please contact the retailer directly you purchased it from who will be able to resolve any issues with us