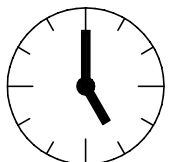
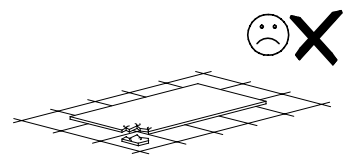
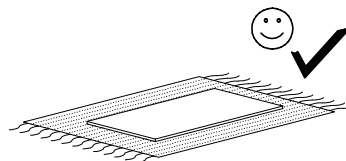
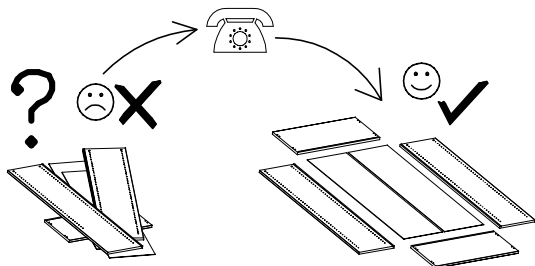
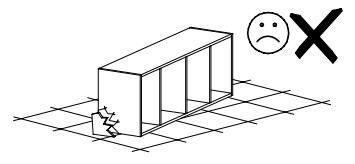
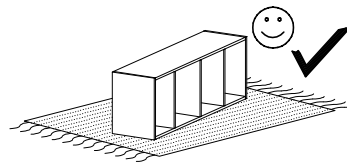
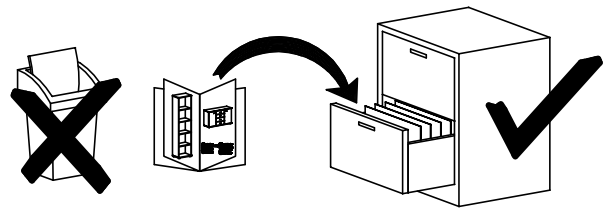
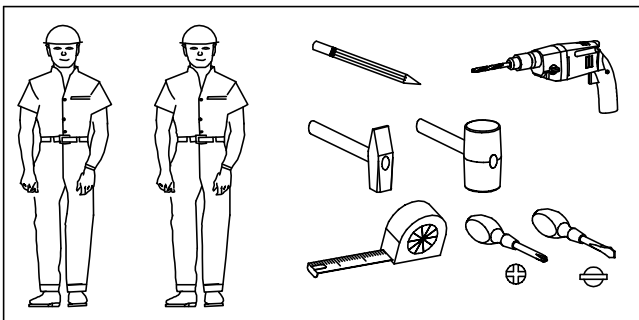
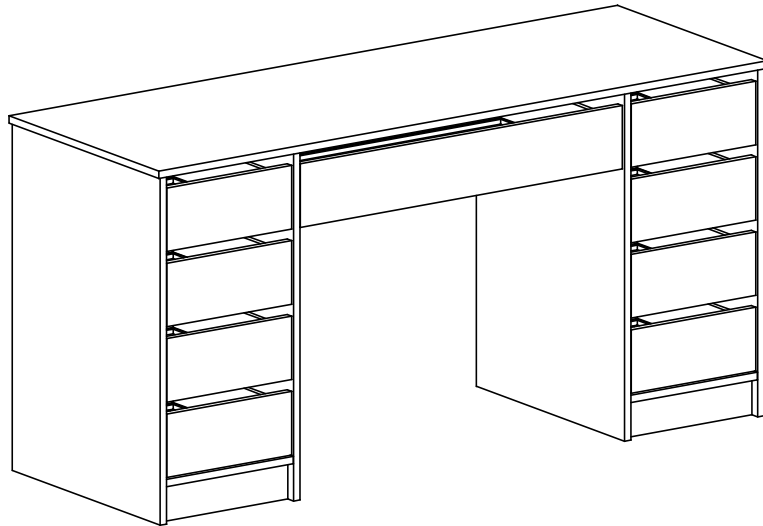
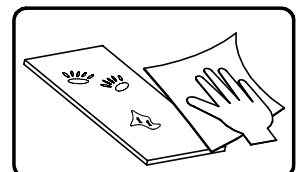
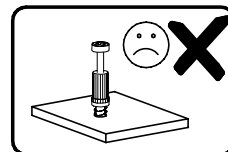
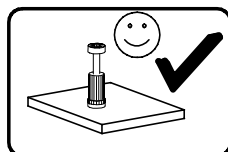
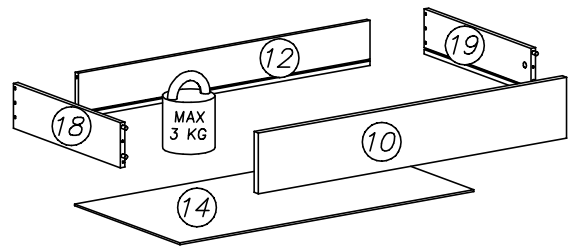
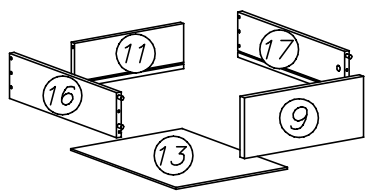
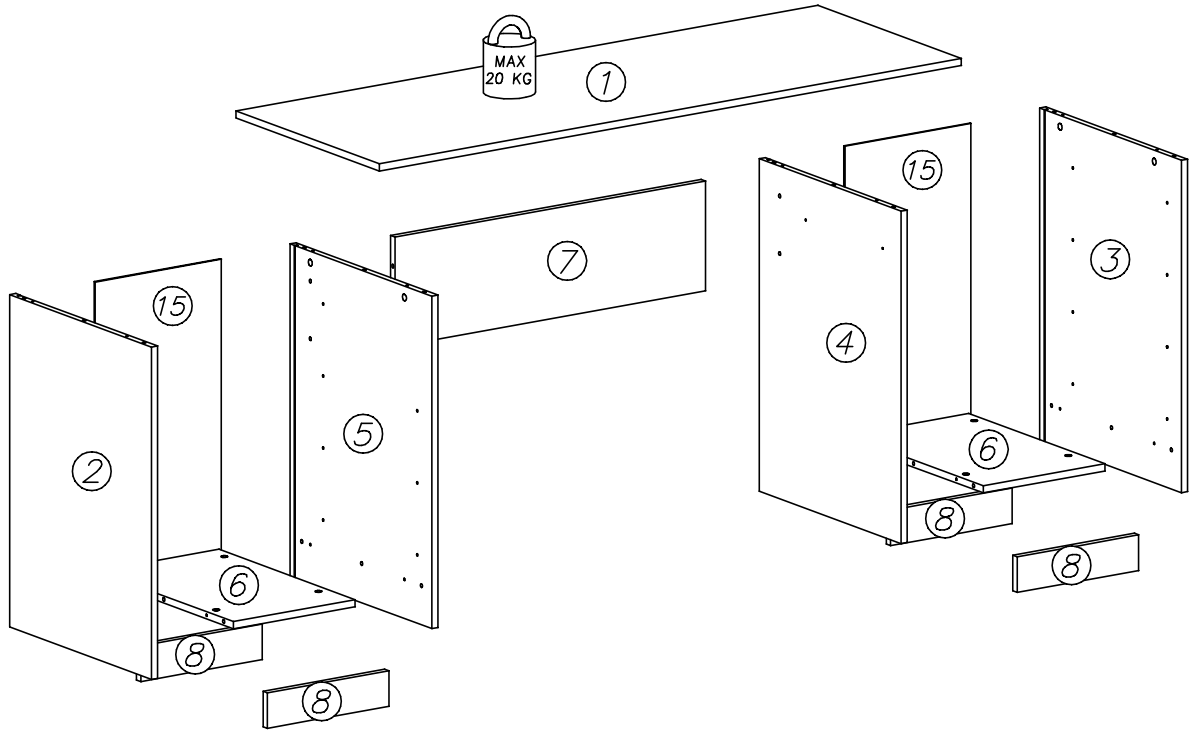
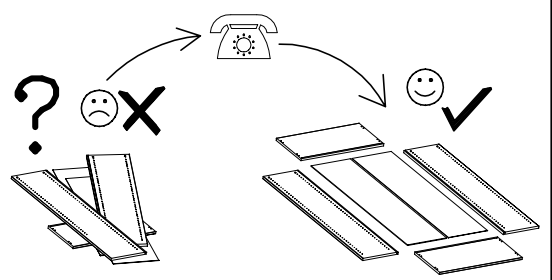
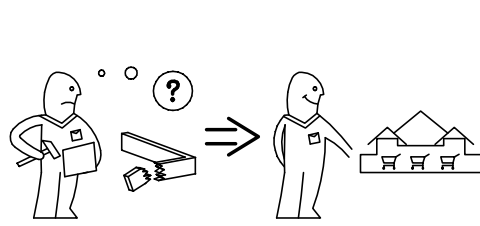
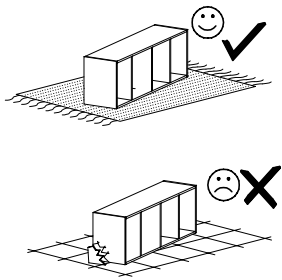


INSTALLATION & ASSEMBLY



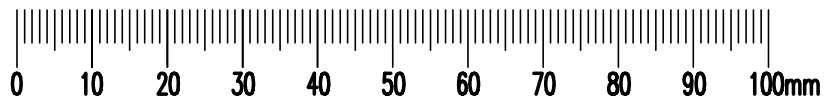
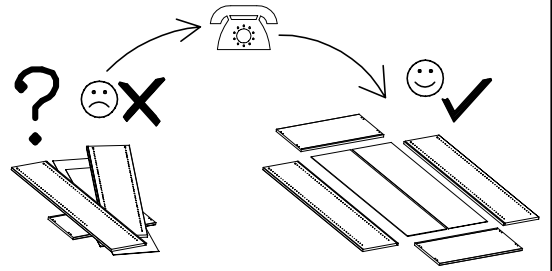
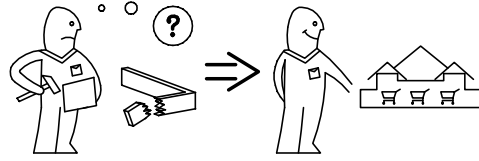
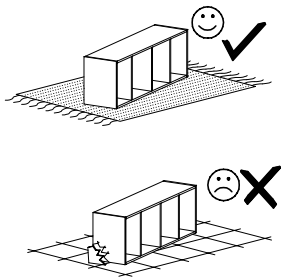
1,5h

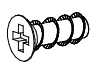
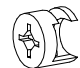

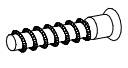
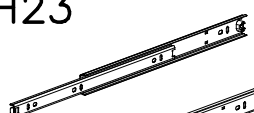



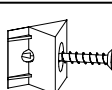

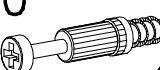

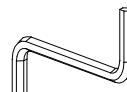
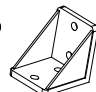





nr	L[mm]	B[mm]	T[mm]	Menge	Colli
1	1523	536	16	1	2/2
2	738	528	16	1	1/2
3	738	528	16	1	1/2
4	738	528	16	1	1/2
5	738	528	16	1	1/2
6	318	527	16	2	2/2
7	813	244	16	1	2/2
8	318	79	16	4	2/2
9	312	135	16	8	2/2
10	807	135	16	1	2/2

nr	L[mm]	B[mm]	T[mm]	Menge	Colli
11	285	100	12	8	1/2
12	763	100	12	1	1/2
13	295	401	3	8	2/2
14	773	401	3	1	2/2
15	649	330	3	2	2/2
16	400	100	12	9	1/2
17	400	100	12	9	1/2



G20  5x11 x...(72)	K4  Ø12x10 x...(18)			
P4  x...(8)	A6  Ø7x40 x...(36)	H23  H27-400mm x...(9)	M8  400mm x...(1)	
K1  Ø15x12 x...(16)	A1  Ø7x50 x...(4)		I1  x...(12)	G34  3,5x16 x...(34)
K10  x...(34)	B1  Ø8x35 x...(24)	W2  x...(1)	F15  x...(8)	I7  Ø18 x...(16)

II

G20



5x11

x...(72)

K1



ø15x12

x...(16)

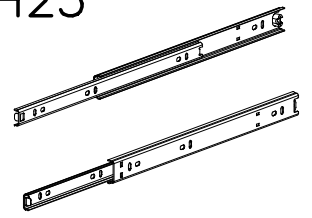
G34



3,5x16

x...(34)

H23



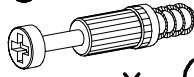
H27-400mm x...(9)

P4



x...(8)

K10



x...(34)

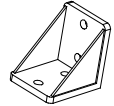
B1



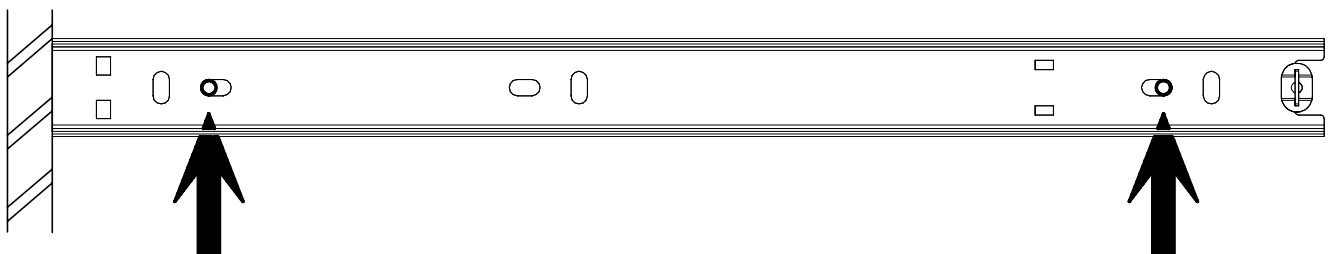
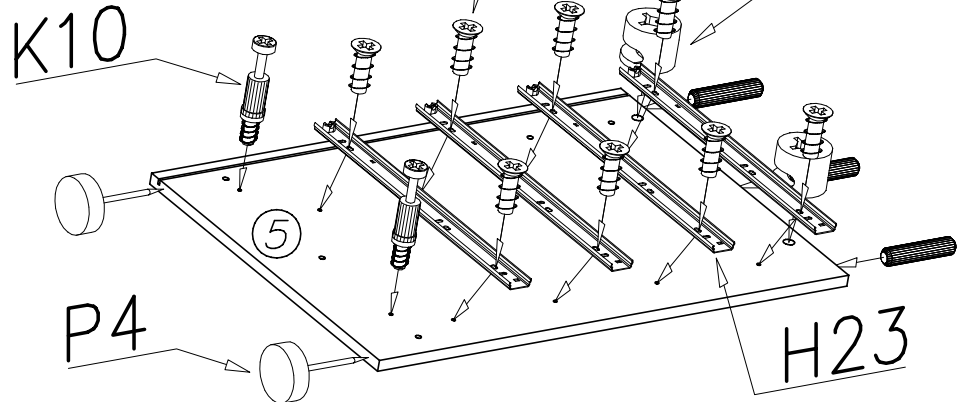
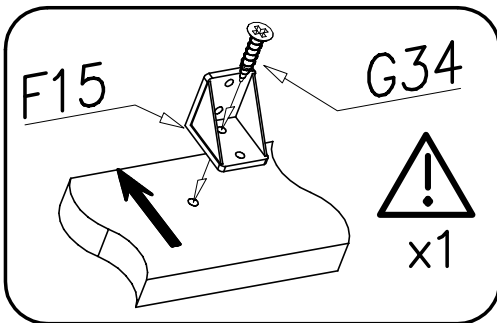
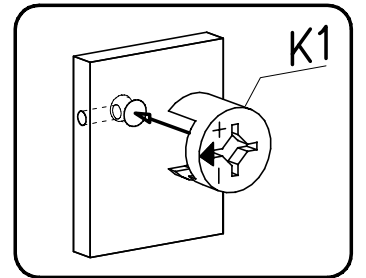
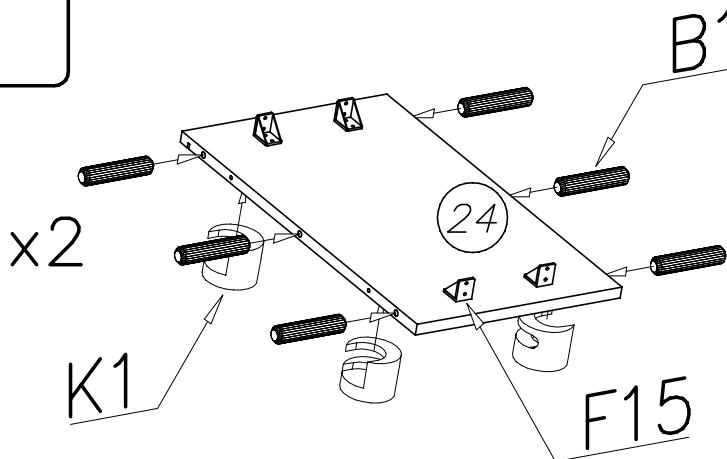
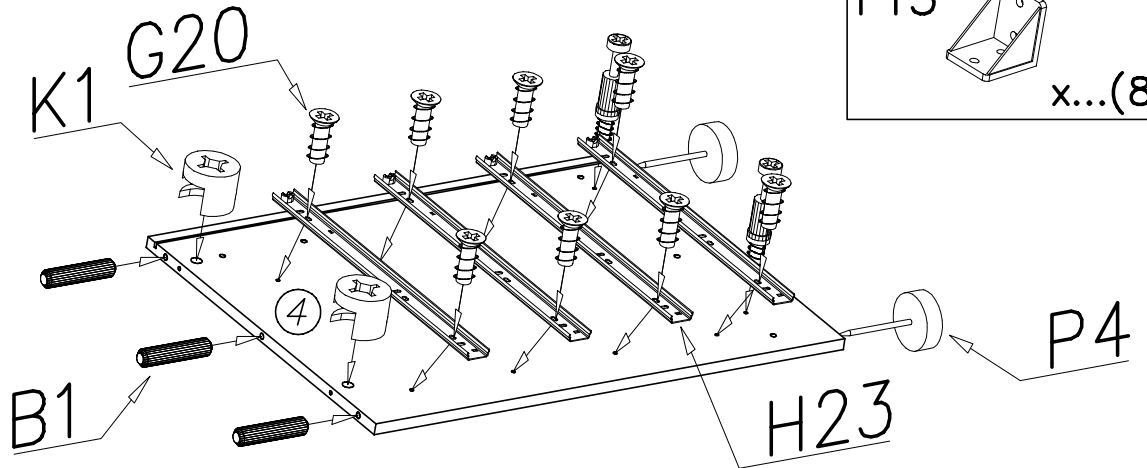
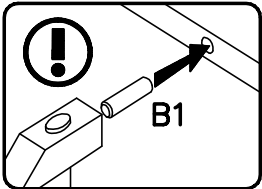
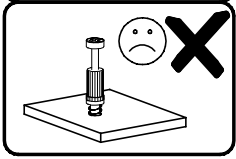
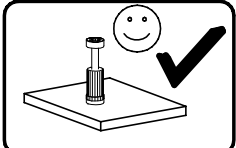
ø8x35

x...(24)

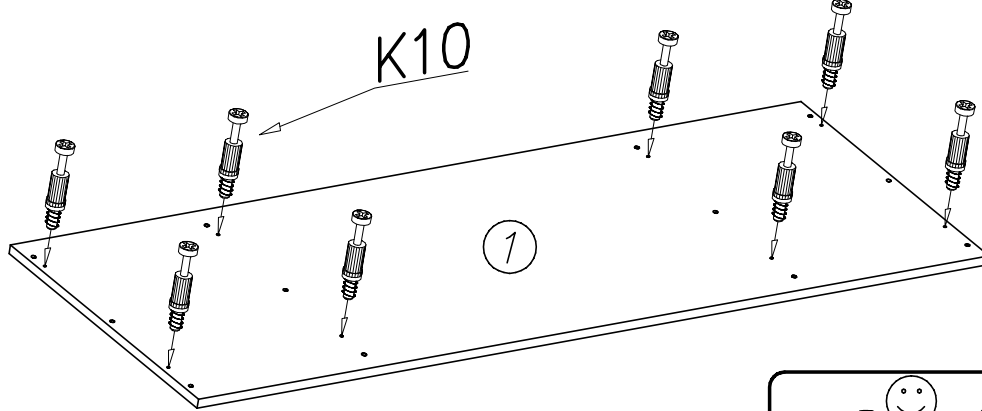
F15



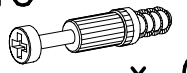
x...(8)



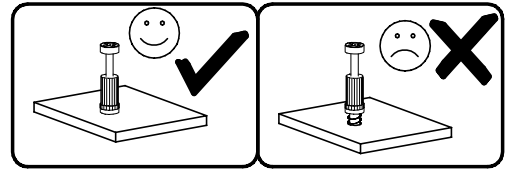
III



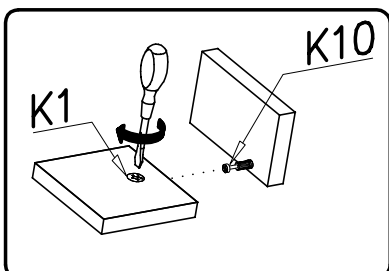
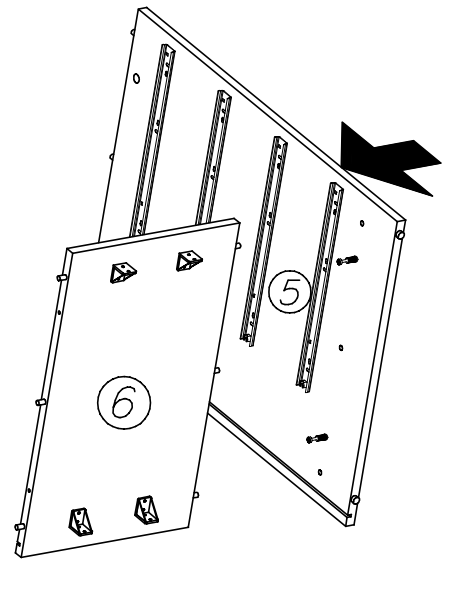
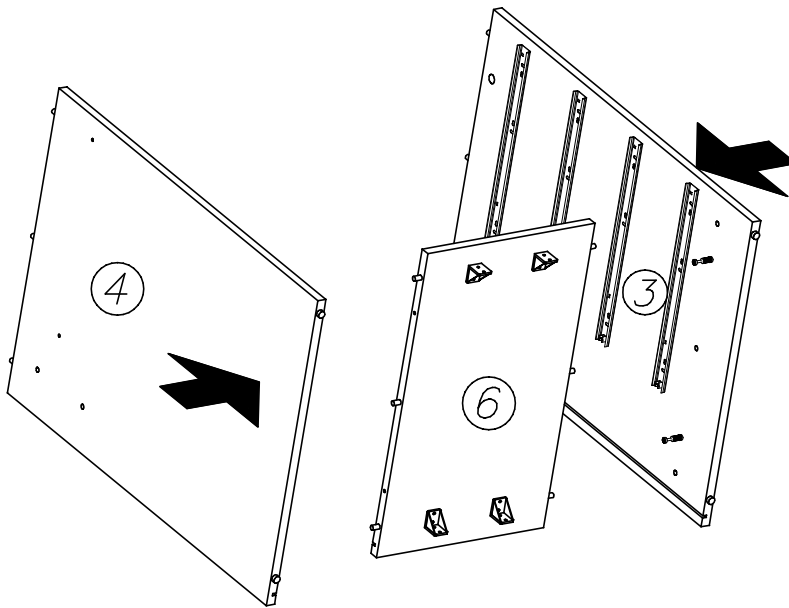
K10



x...(8)



IV



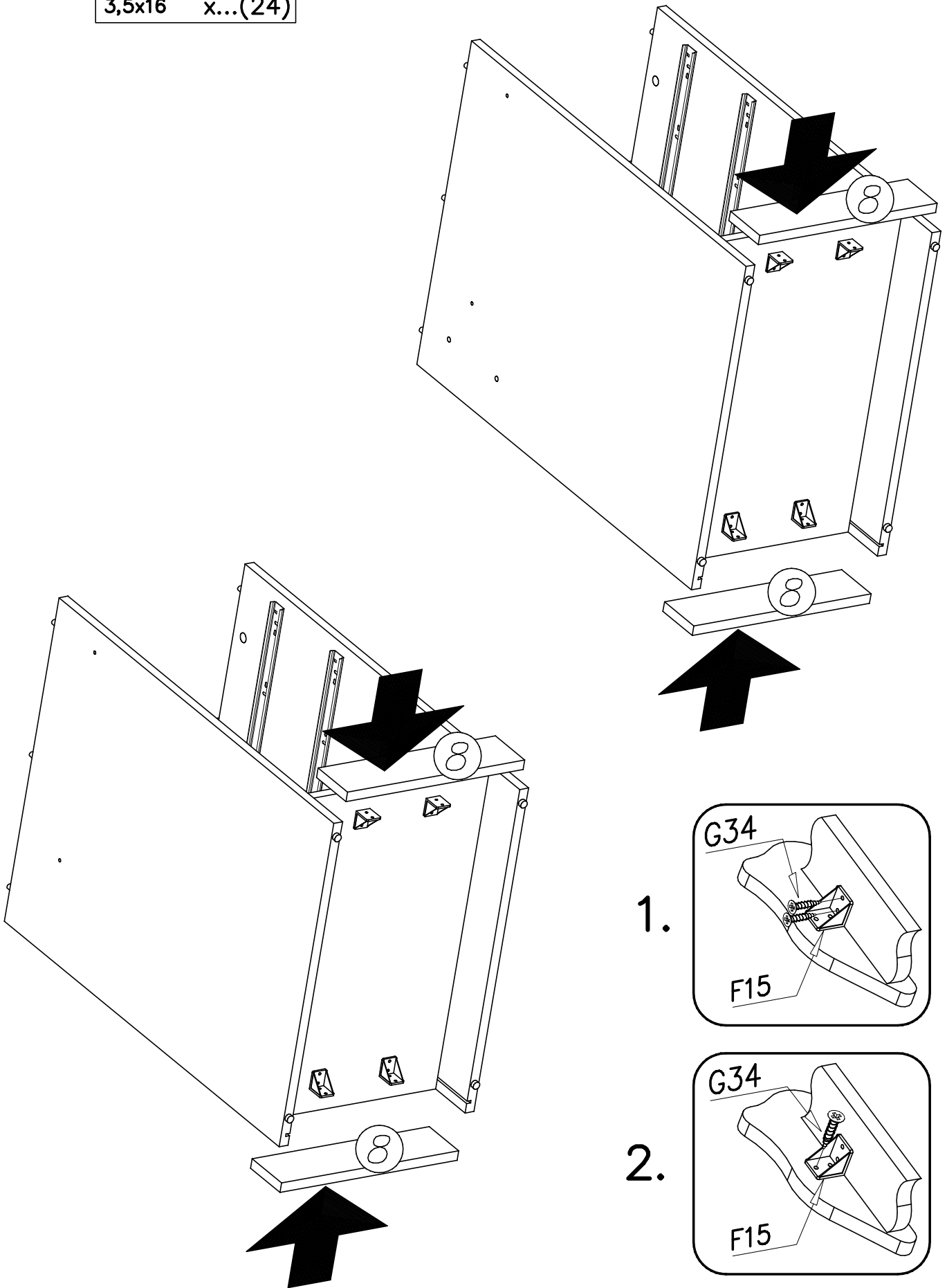
V

G34

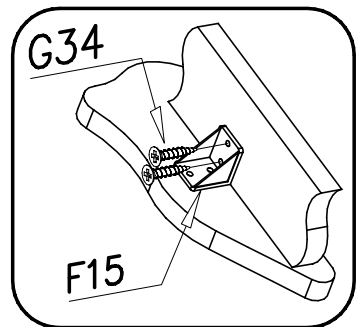


3,5x16

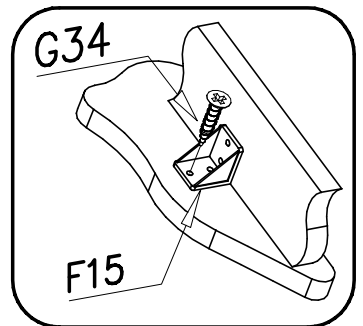
x...(24)




1.

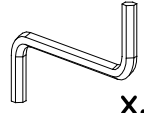


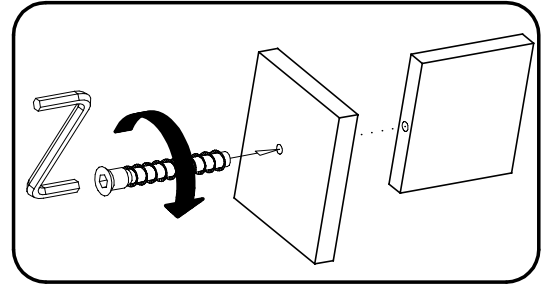
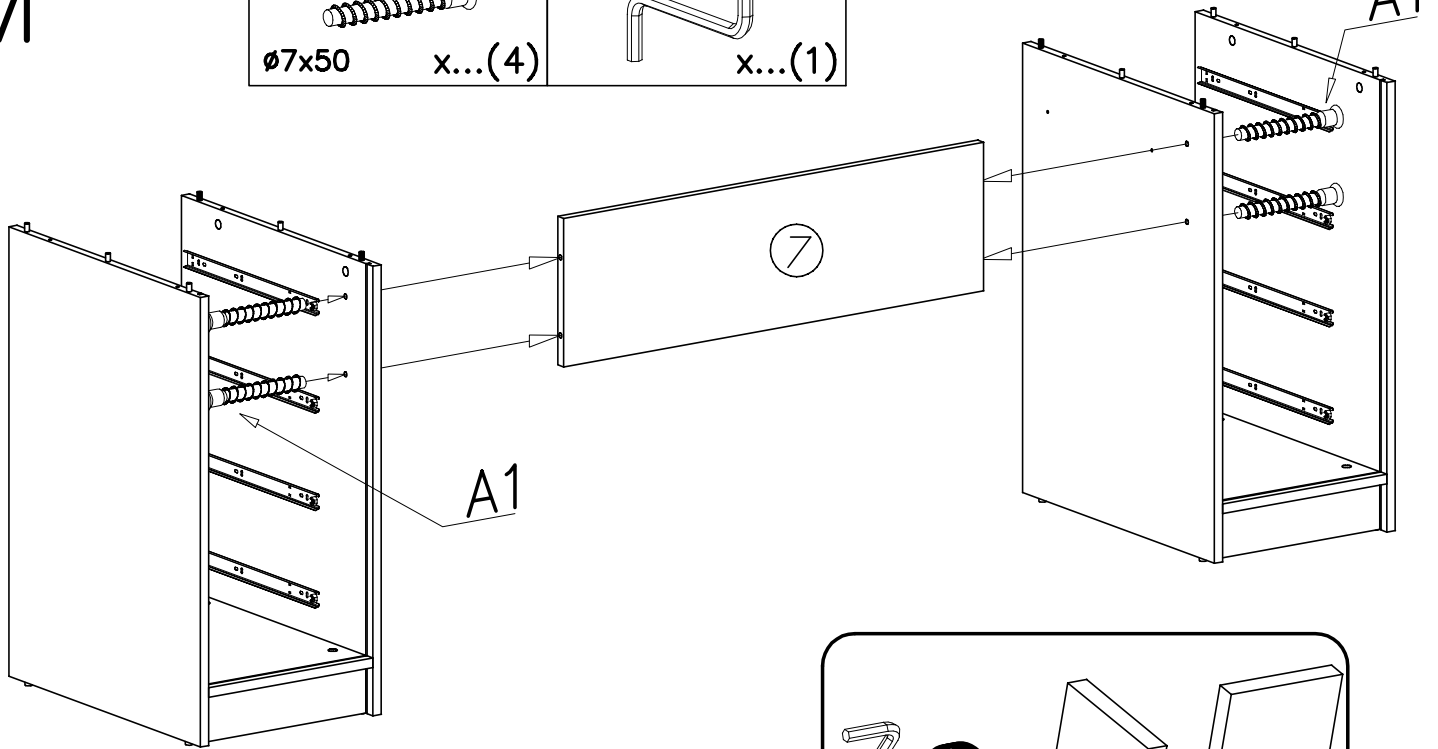
2.



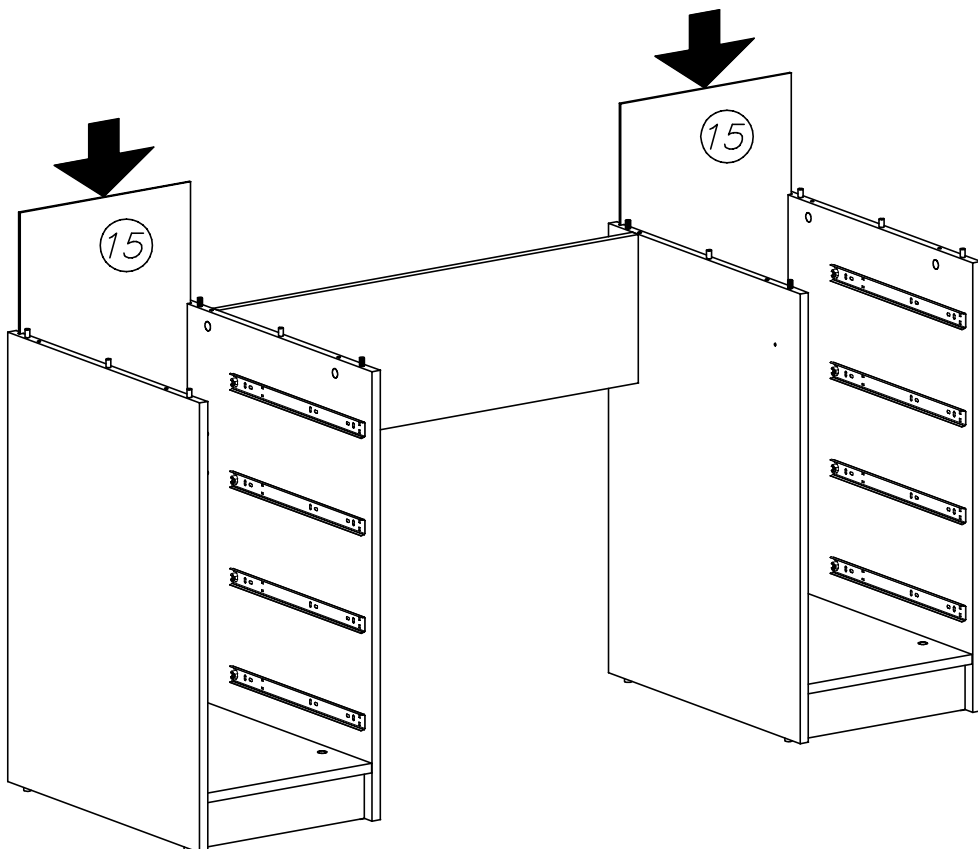
VI

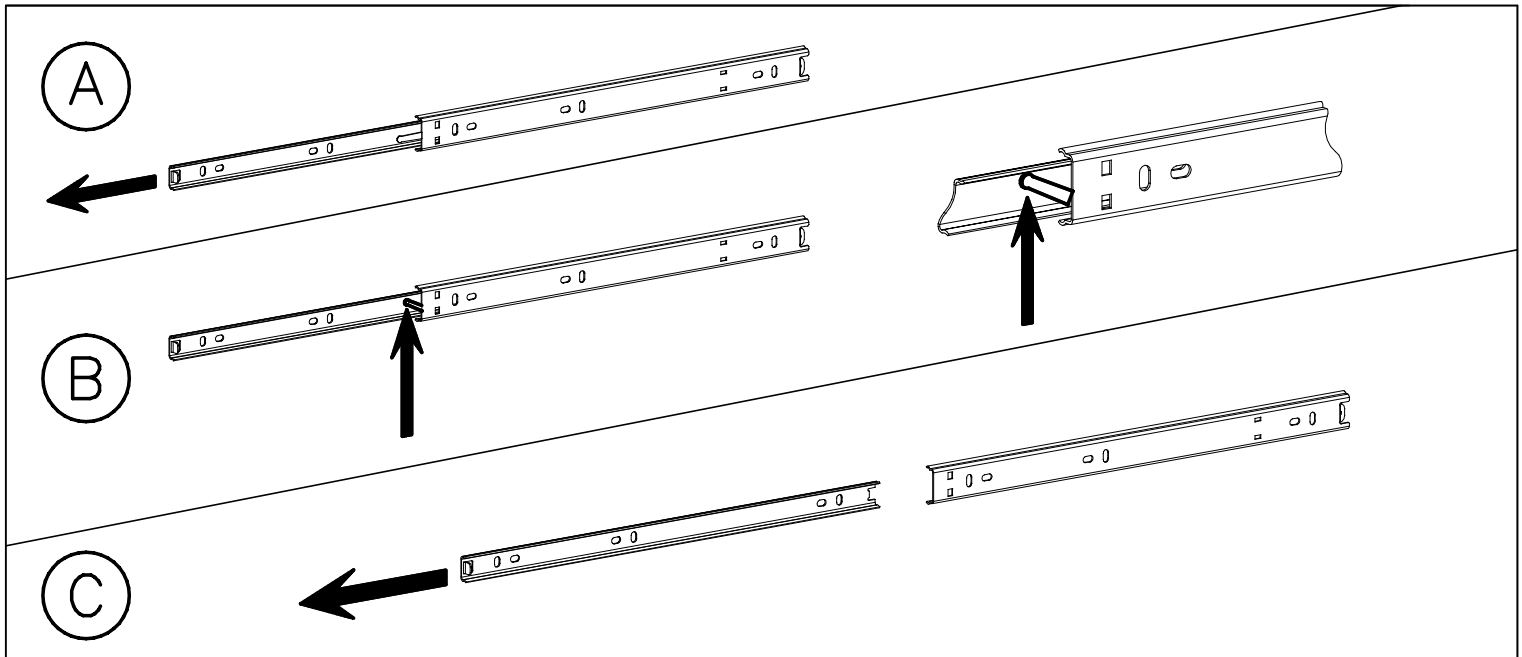
A1 
ø7x50 x...(4)

W2 
x...(1)

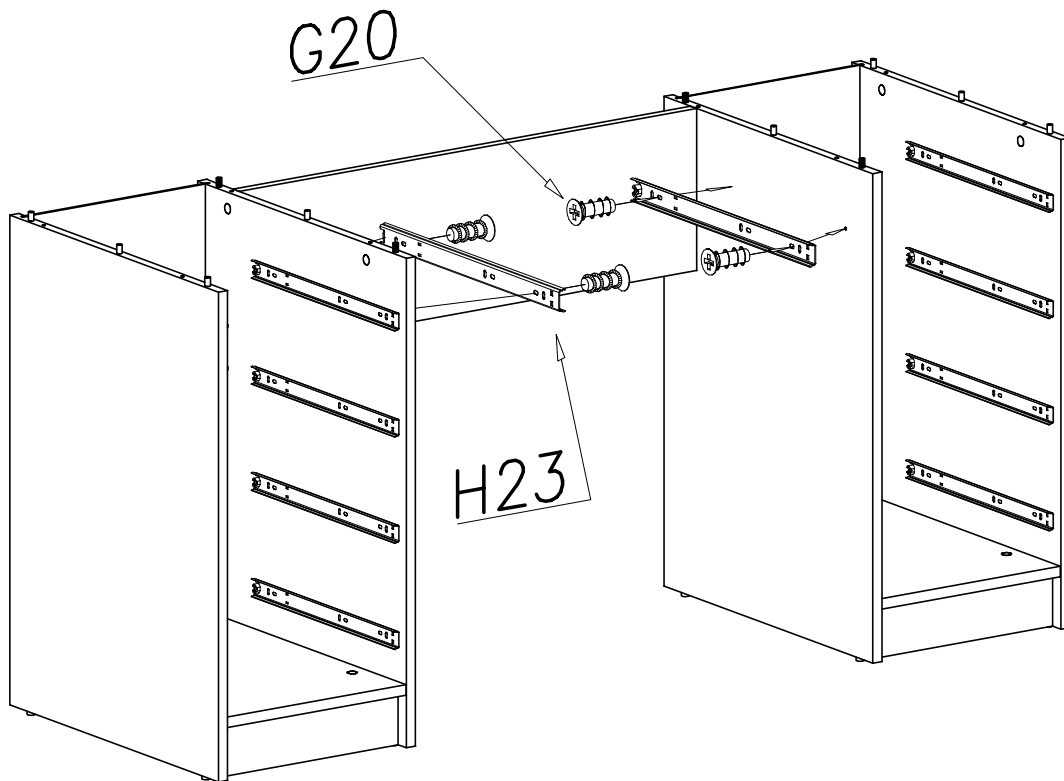


VII

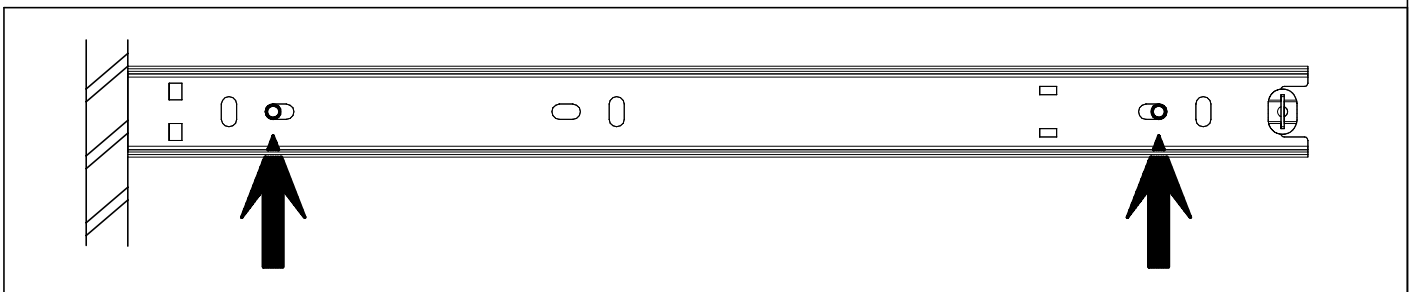


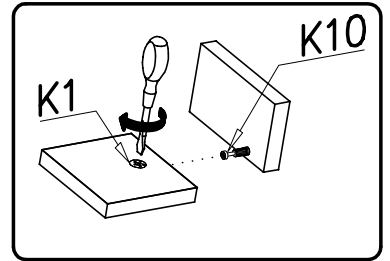
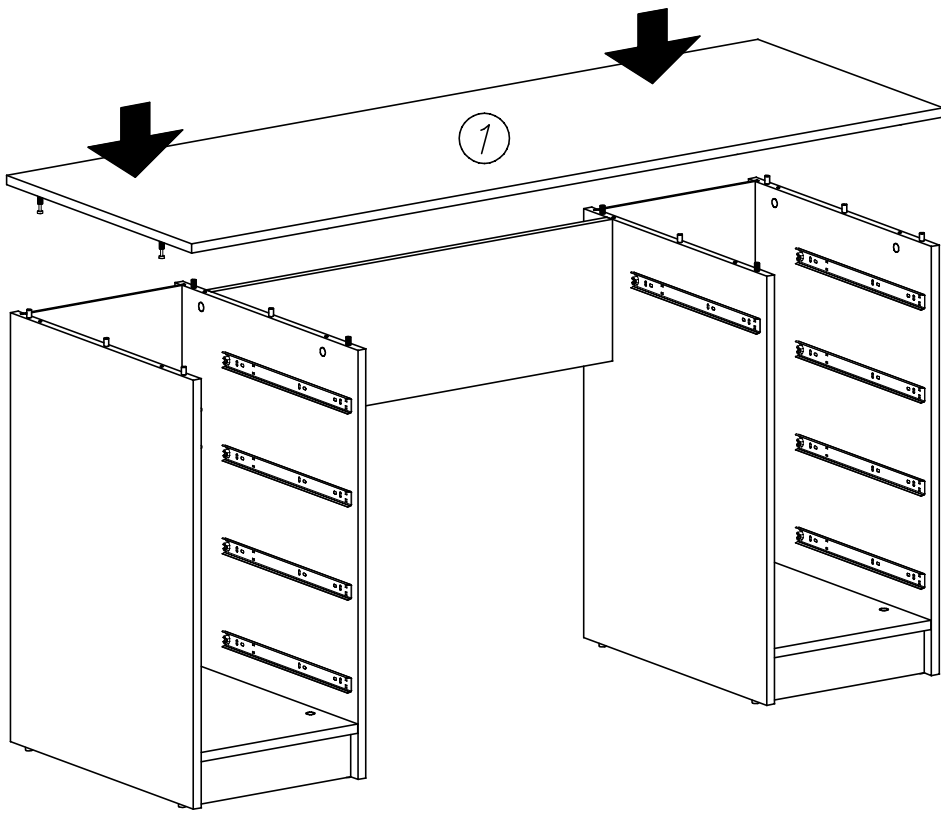


VIII

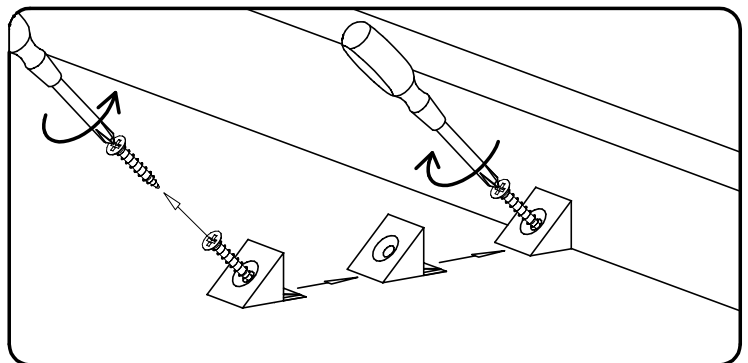
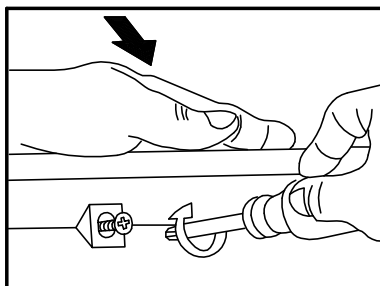
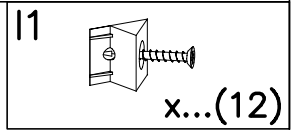
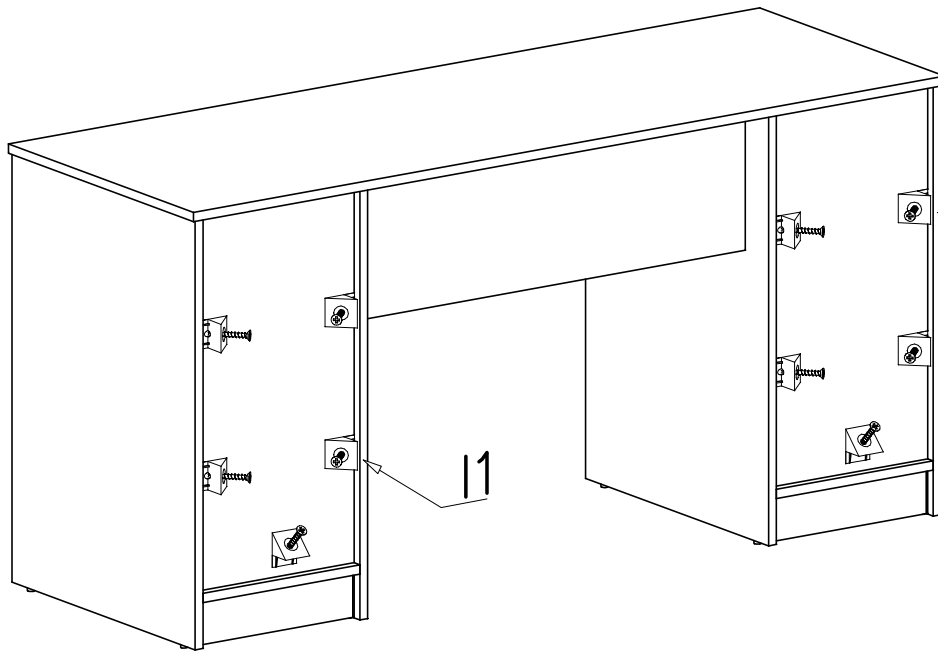


H23	
H27-400mm	x...(1)
G20	
5x11	x...(4)

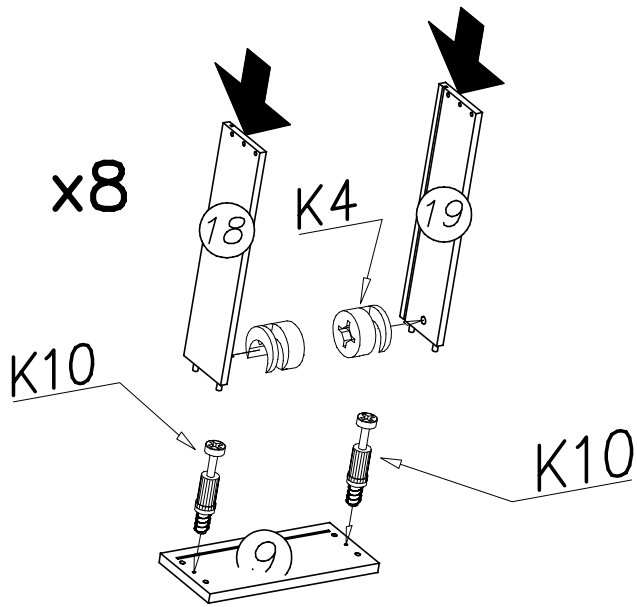




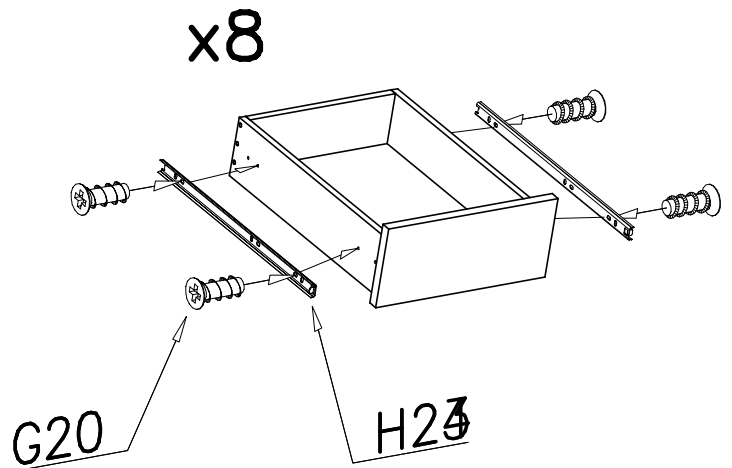
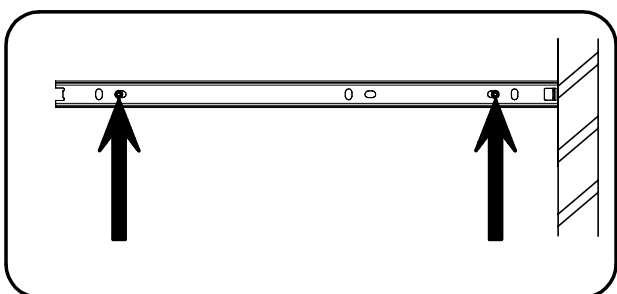
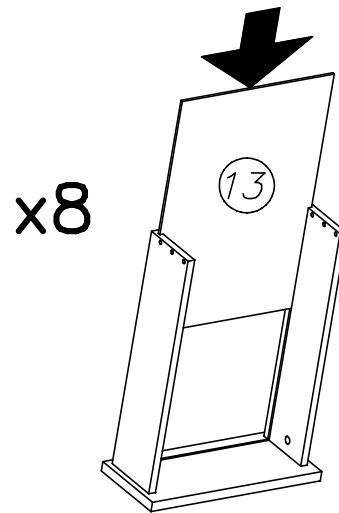
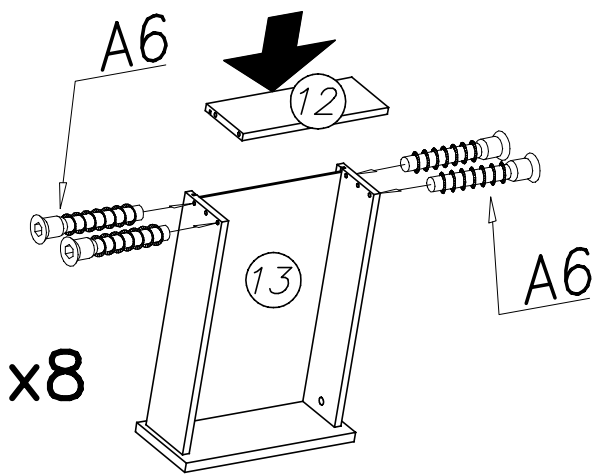
X



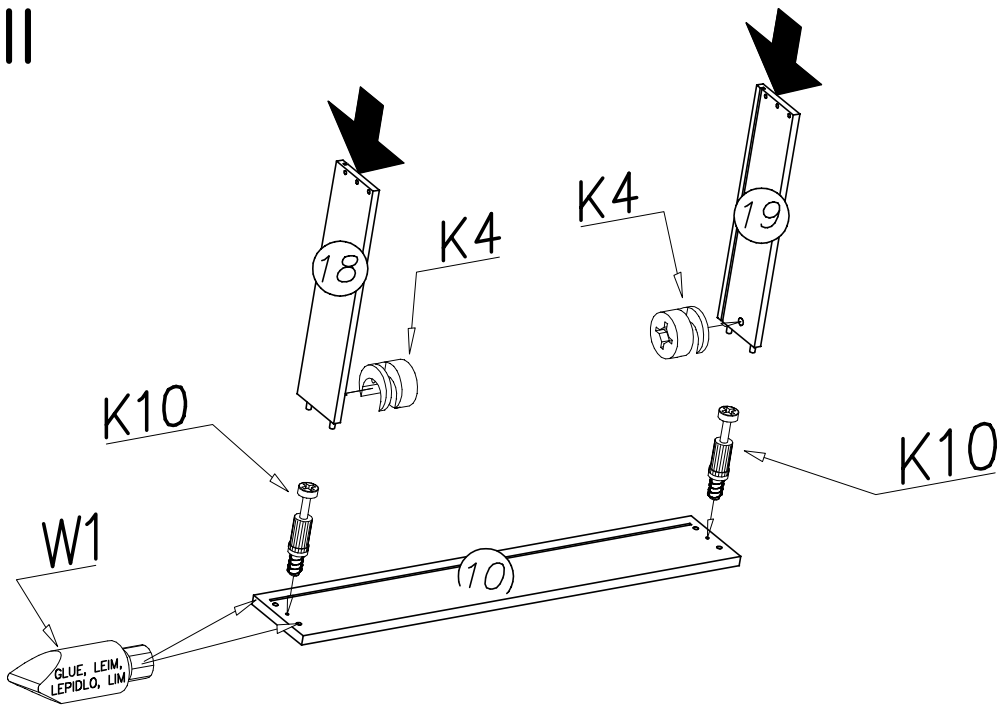
XI


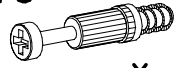

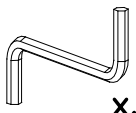


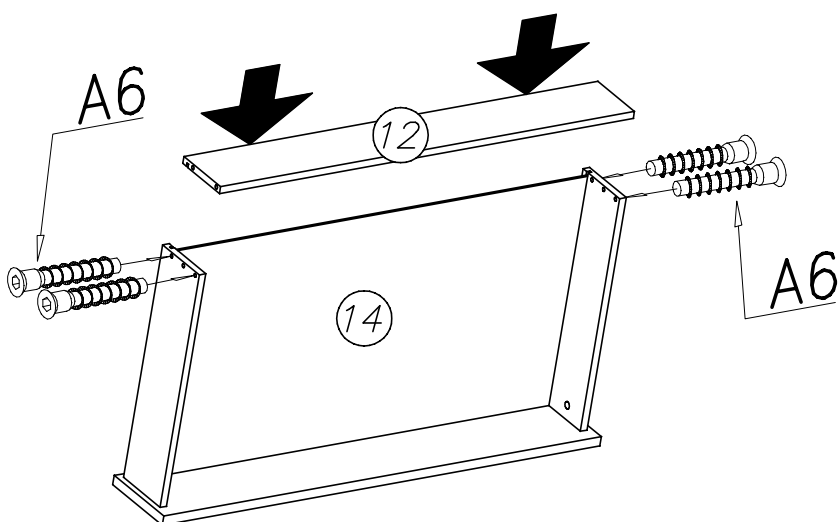
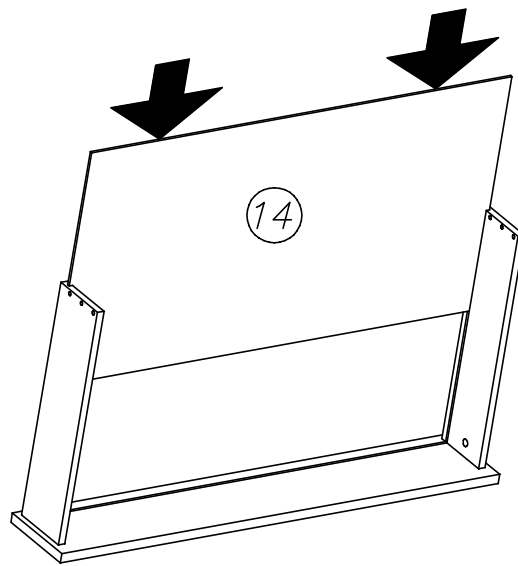
K4		A6	
ø12x10	x...(16)	ø7x40	x...(32)
K10		G20	
	x...(16)	5x11	x...(32)
W2		H23	
	x...(1)		
		H27-400mm	x...(8)




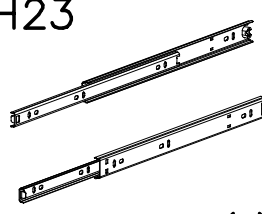

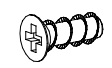
XII

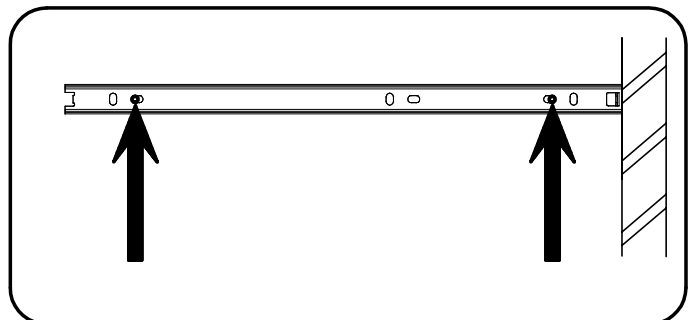
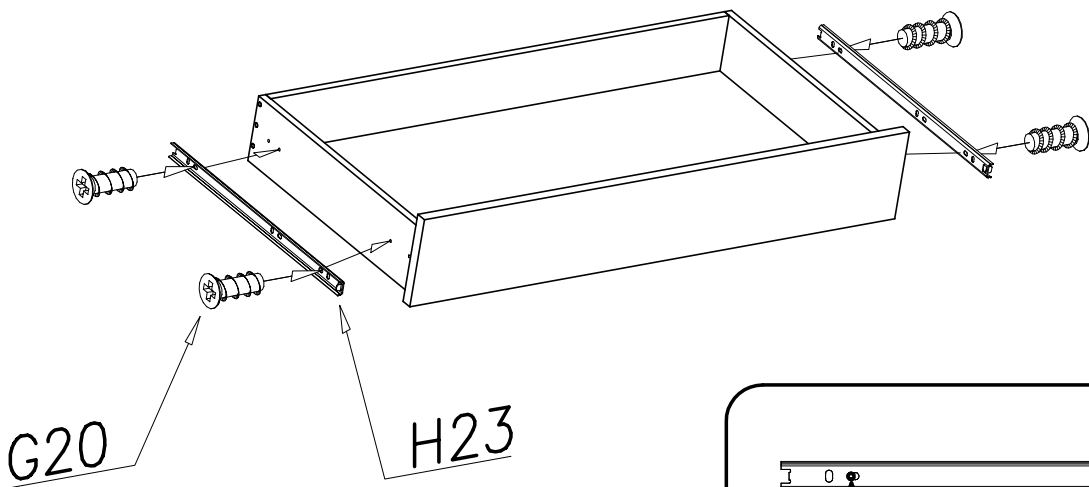
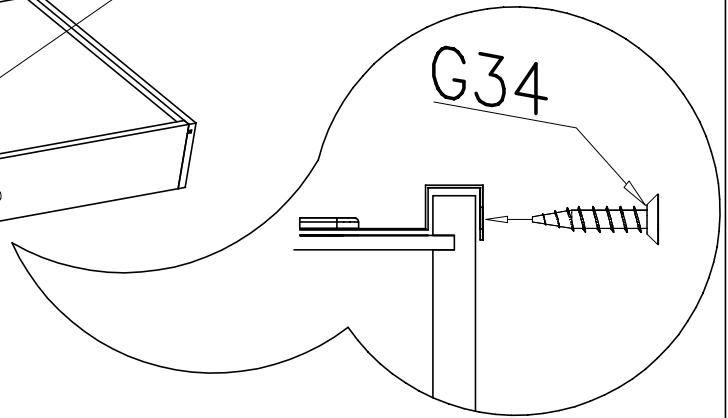
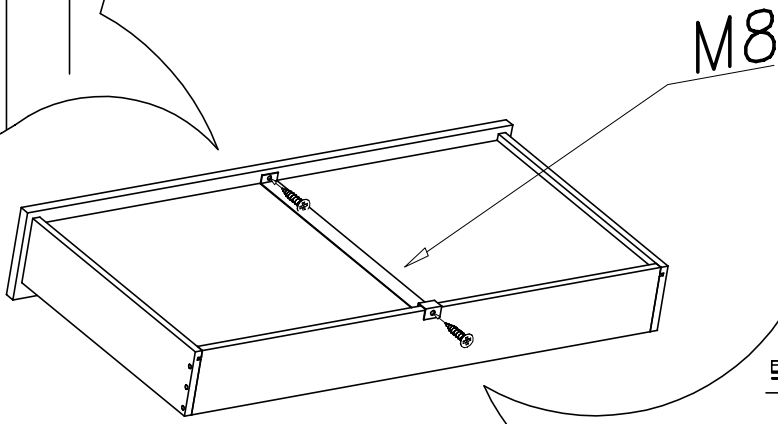
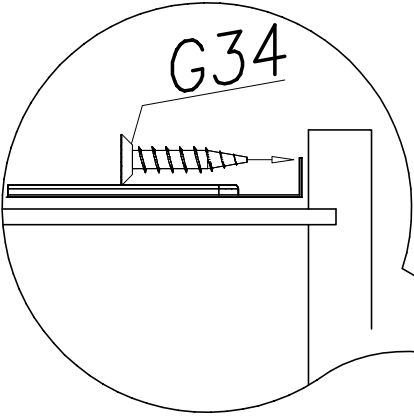


K4	
ø12x10	x...(2)
K10	
	x...(2)
A6	
ø7x40	x...(4)
W2	
	x...(1)

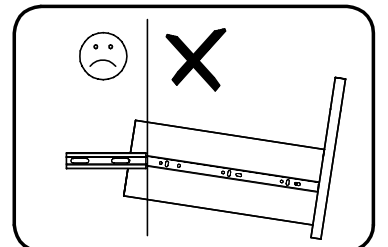
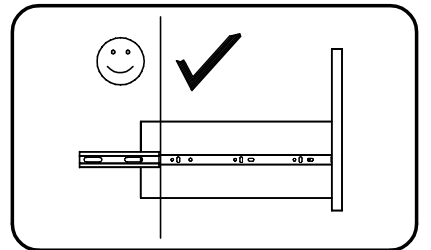
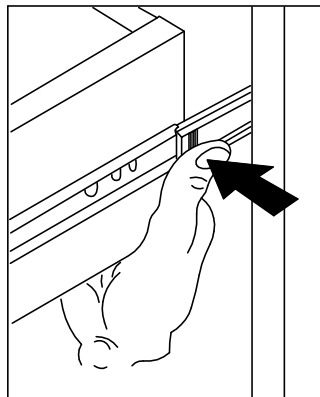
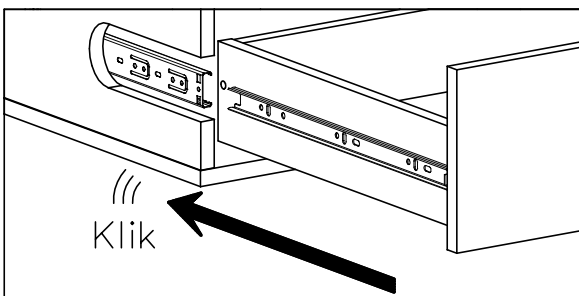
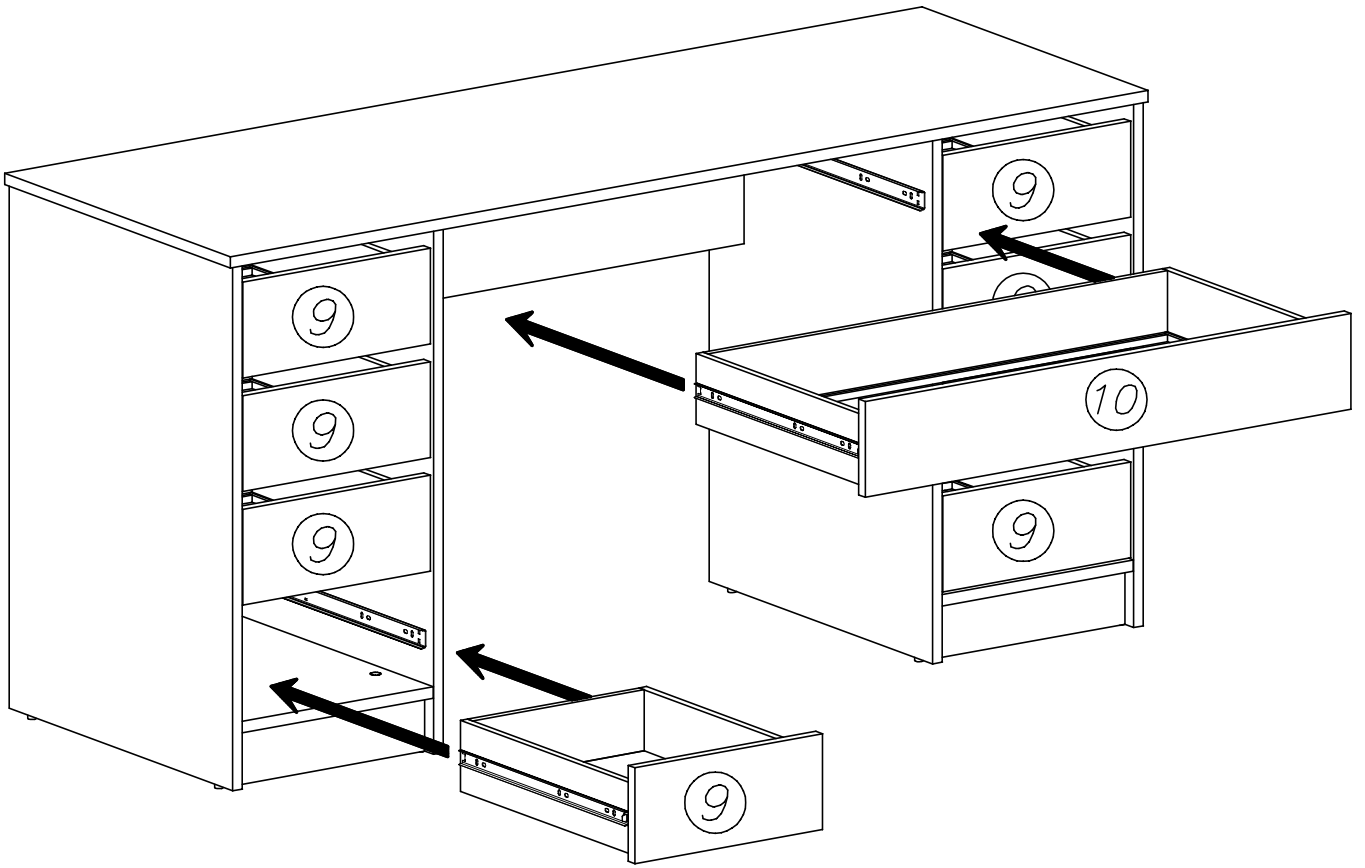


XIII

M8		400mm	x...(1)
H23			x...(1)
G34		3,5x16	x...(2)
G20		5x11	x...(4)



XIV





Uwaga • Upozornění • Achtung • Attention • Caution • Figyelem
 Attenzione • Opgelet • Внимание • Atenție • Upozornenie • Dikkat

