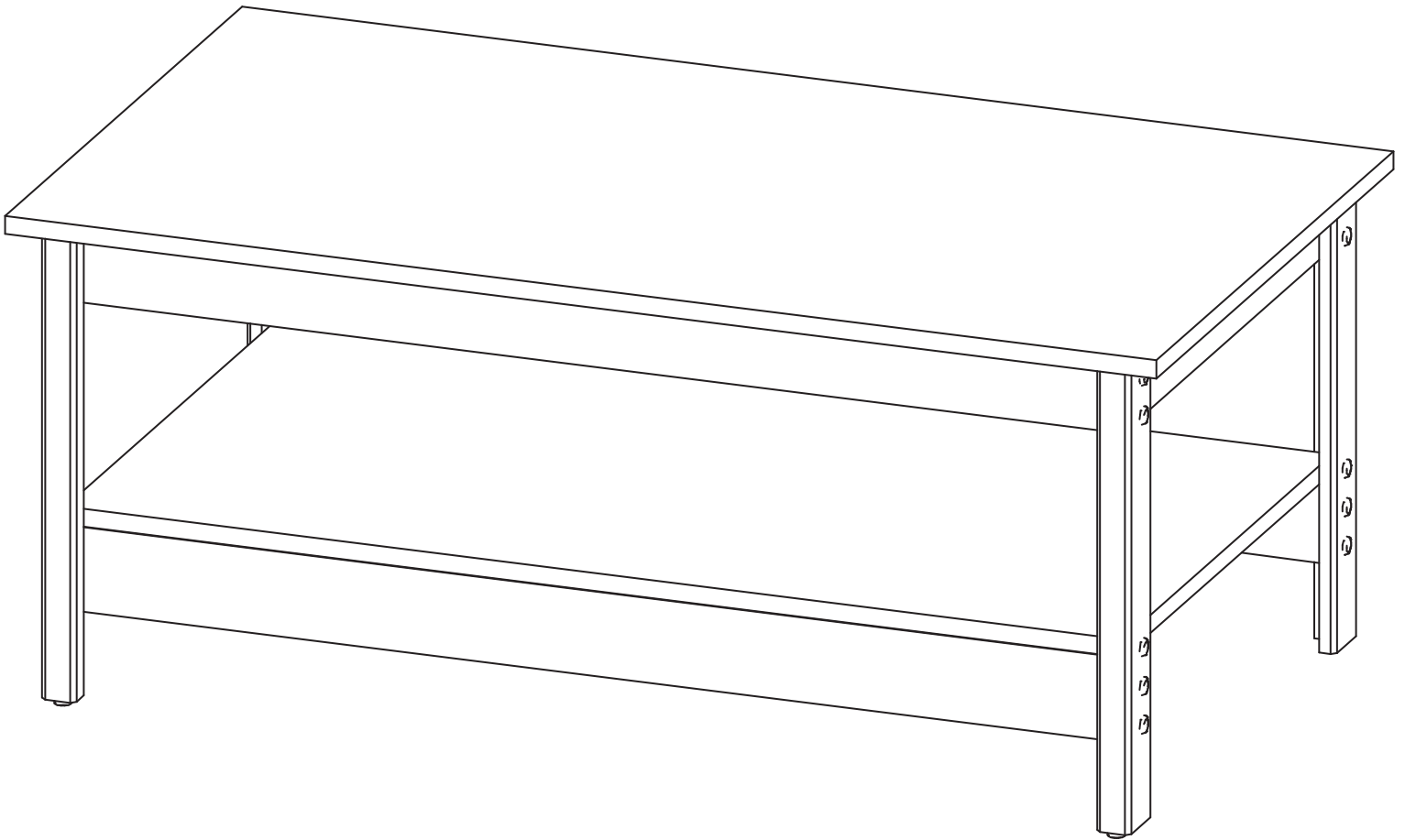


# COFFEE TABLE WITH SHELF

Carefully review assembly and care instructions before using this product. Save this document for future reference.  
**Assemble components on a soft, clean surface to avoid scratching or damaging the finish.**



## **!** HELPFUL HINTS

Sunnydaze Decor advises reviewing this manual fully, and assembling the unit soon after purchase. Check that all parts are accounted for and familiarize yourself with the assembly before beginning.

**SAVE THIS MANUAL FOR FUTURE REFERENCE.**

# INTRODUCTION

**Read the manual carefully to ensure you fully understand all use, care, assembly, and safety information.**



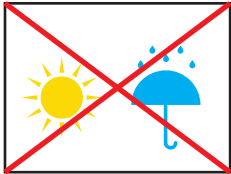
Read this manual carefully and follow the assembly instructions in the order listed. Pay close attention to assembly drawings.



Regularly clean with a clean microfiber cloth to prevent dust accumulation.



Do not paint the unit.  
Do not use abrasive materials or cleaners to clean the furniture.



Indoor use only.  
Do not expose the furniture to heat or humidity.



When cleaning nearby the furniture, do not allow contact with water or cleaners as it may deteriorate the furniture.



Do not allow metal components to come in contact with water or cleaners as it may cause rust and staining.



Assemble on a soft, flat, clean, and dry surface.



Use a soft, protective barrier when assembling the furniture.

**TIP:** Use the box carton as a protective layer to separate and protect the parts from scratches and other damage during assembly.



Do not push or drag furniture as doing so may damage the unit.

Only move furniture when it is empty.



Always ask for help when moving furniture.



**Avoid Accidents** - Do not climb, sit or stand on the furniture.

Do not allow children to play on or inside the furniture.



Keep sharp objects away as they may scratch or damage the unit.

Do not use the furniture as a writing surface without a padded barrier.

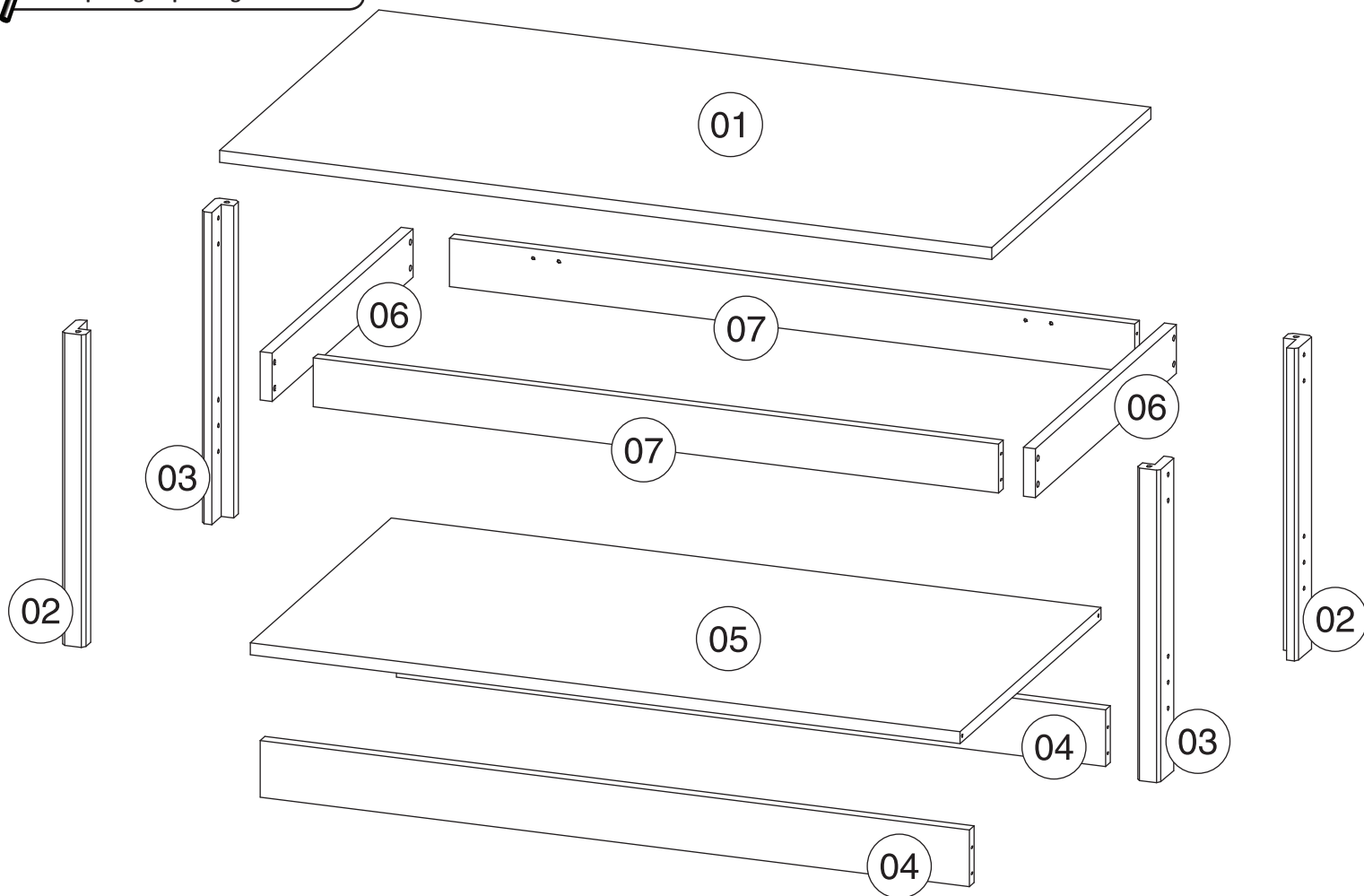
## NOTICE:

Manufacturer and seller expressly disclaim any and all liability from personal injury, property damage or loss, whether direct or indirect, or incidental, resulting from the incorrect attachment, improper use, inadequate maintenance, or neglect of this product.

# COMPONENTS



Inspect packaging to ensure all parts are accounted for before disposing of packing materials.



| SEQ. | PART NAME   | QTY. |
|------|-------------|------|
| 01   | Tabletop    | 1    |
| 02   | Left Leg    | 2    |
| 03   | Right Leg   | 2    |
| 04   | Bottom Rail | 2    |
| 05   | Shelf       | 1    |
| 06   | Short Apron | 2    |
| 07   | Long Apron  | 2    |

| No. | HARDWARE                | QTY. |
|-----|-------------------------|------|
| A   | Wood Dowel              | 4    |
| AZ  | Hex Key                 | 1    |
| BX  | M3x12mm Flat Screw      | 4    |
| D   | M3.5x14mm Flat Screw    | 24   |
| DZ  | M5x50mm Confirmat Screw | 20   |
| FM  | Screw Cap               | 20   |
| Q   | Angle Bracket           | 6    |
| X   | Plastic Foot            | 4    |

| TOOLS REQUIRED (not included) |                      |
|-------------------------------|----------------------|
|                               | Phillips Screwdriver |
|                               | Rubber Mallet        |

**⚠ WARNING ⚠**

**CHOKING HAZARD** — This item contains small parts that can be swallowed. Keep children and pets away during assembly.

## ⚠ WARNING:

Manufacturer and seller expressly disclaim any and all liability from personal injury, property damage or loss, whether direct or indirect, or incidental, resulting from the incorrect attachment, improper use, inadequate maintenance, or neglect of this product.

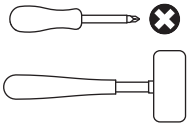
# ASSEMBLY

Carefully review all steps and fully understand assembly before beginning.

**IMPORTANT:** Take care not to over-tighten screws as doing so may crack the wood or strip the screw hole, causing a weak connection and reduced stability.

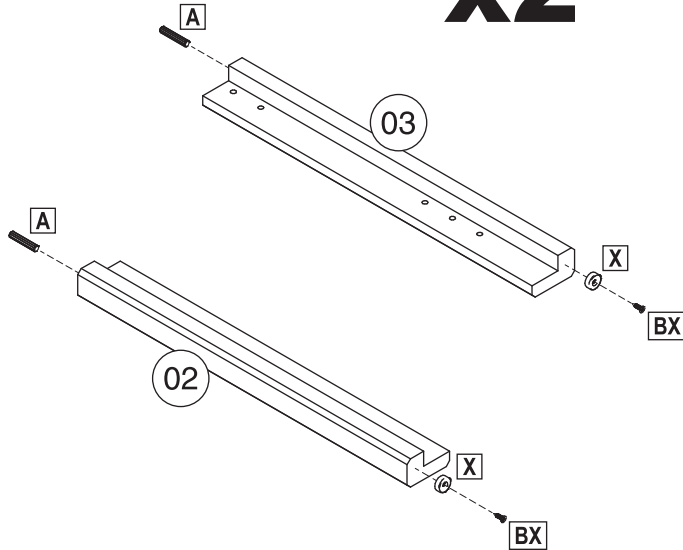
## STEP 1 TOOLS REQUIRED

- 02: 2
- 03: 2
- A: 4
- BX: 4
- X: 4



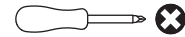
**TIP:** Install wood dowels by gently tapping them into the designated hole using a rubber mallet.

**x2**

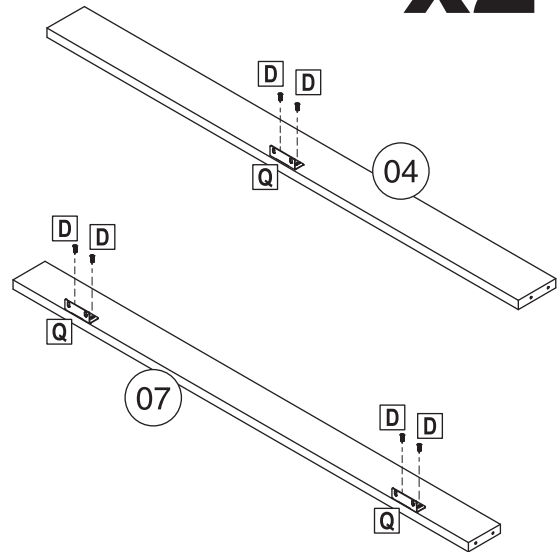


## STEP 2 TOOLS REQUIRED

- 04: 2
- 07: 2
- D: 12
- Q: 6



**x2**

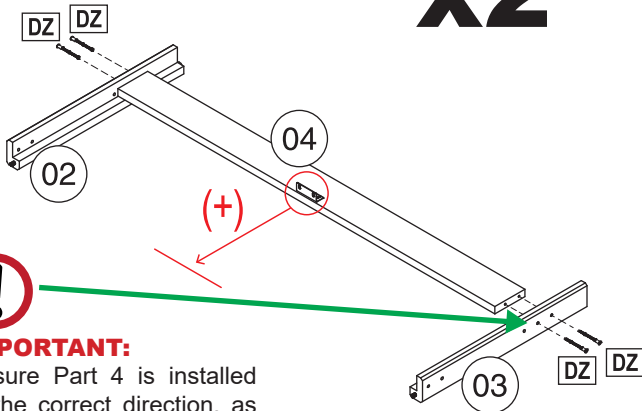


## STEP 3 TOOLS REQUIRED

- DZ: 8



**x2**

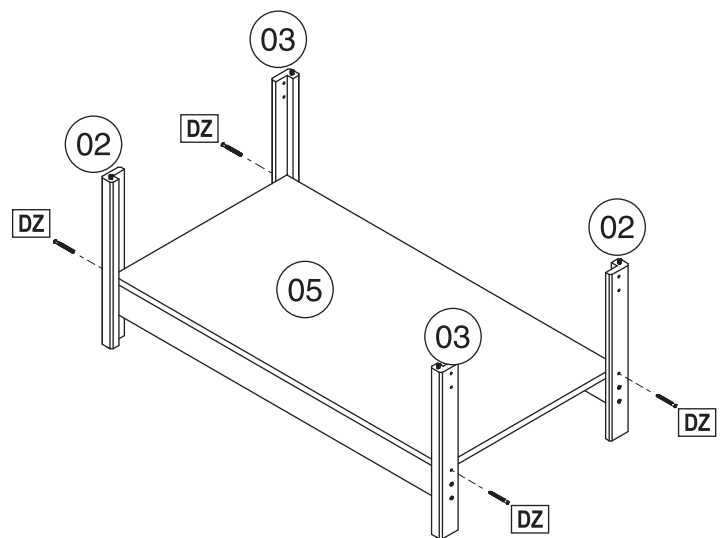


**IMPORTANT:**

Ensure Part 4 is installed in the correct direction, as indicated in the drawing.

## STEP 4 TOOLS REQUIRED

- 05: 1
- DZ: 4



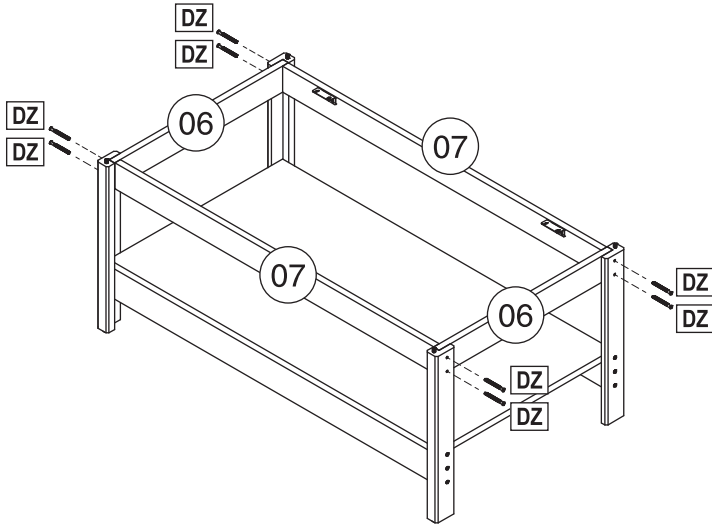
Do not fully tighten hardware until after Step 6 is complete.

Do not fully tighten hardware until after Step 6 is complete.

### STEP 5

#### TOOLS REQUIRED

06: 2  
DZ: 8

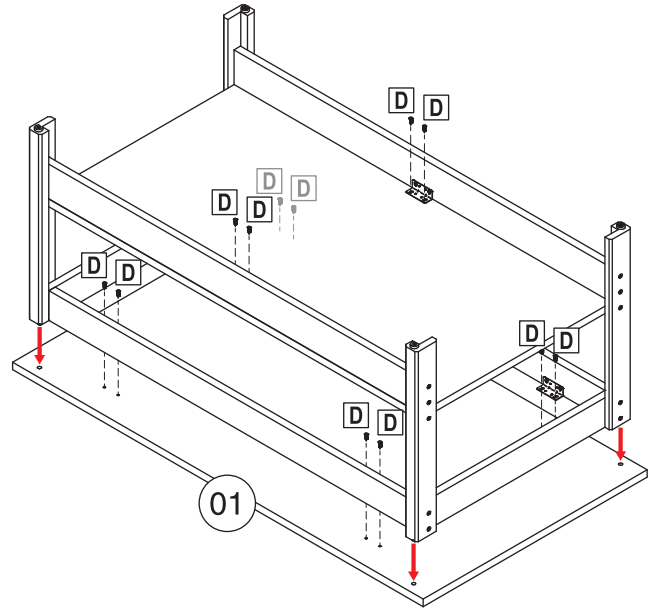


Do not fully tighten hardware until after Step 6 is complete.

### STEP 6

#### TOOLS REQUIRED

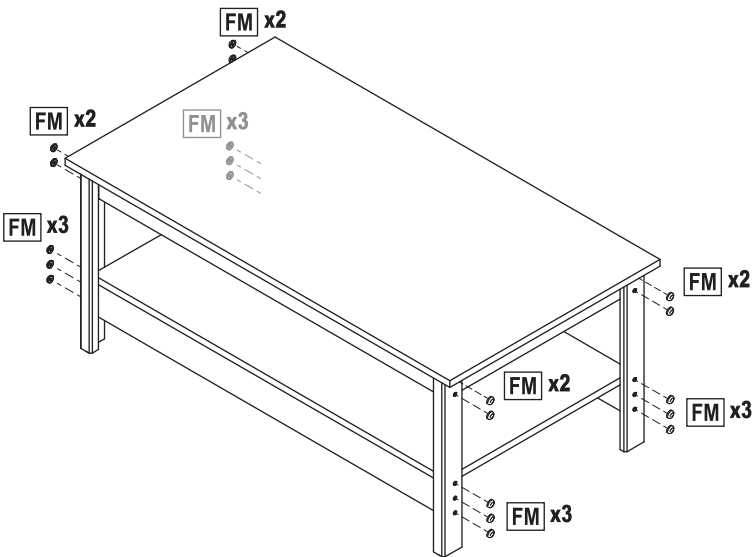
01: 1  
D: 12



Fully tighten all hardware after this step is complete.

### STEP 7

FM: 20



## SAFETY STATEMENTS & WARNINGS

- Residential use only. Not for commercial or industrial use.
- For indoor use only.
- Ensure fittings are tight before use. Periodically check fitting to ensure they are tight.
- Only use this unit on a flat, level surface.
- Do not sit, stand or climb on the unit.
- Supervise children; never allow children to climb or sit on this unit as it may tip over and cause serious injury.
- Never put a television on this product.
- Do not place liquids or hot items directly on the furniture.
- Never use chemical cleaning products or polishes as they may damage the finish.
- Do not exceed the weight capacity of the furniture.
- Do not overload the shelf as doing so may cause it to sag.
- Do not place the unit in direct sunlight.
- Avoid placing unit near heating or cooling vents as forced air is very drying and can damage the unit.
- Do not write on furniture without a padded barrier to protect the surface.

**Any modification to the product or failure to follow recommended care will void the product warranty.**

*If you experience issues with assembly or the product was damaged during shipping, please contact our customer service team directly through one of the methods mentioned at the top of page 1. Please have the item number and order information ready to expedite response time.*

### NOTICE:

**Manufacturer and seller expressly disclaim any and all liability from personal injury, property damage or loss, whether direct or indirect, or incidental, resulting from the incorrect attachment, improper use, inadequate maintenance, or neglect of this product.**