

ASSEMBLY INSTRUCTIONS

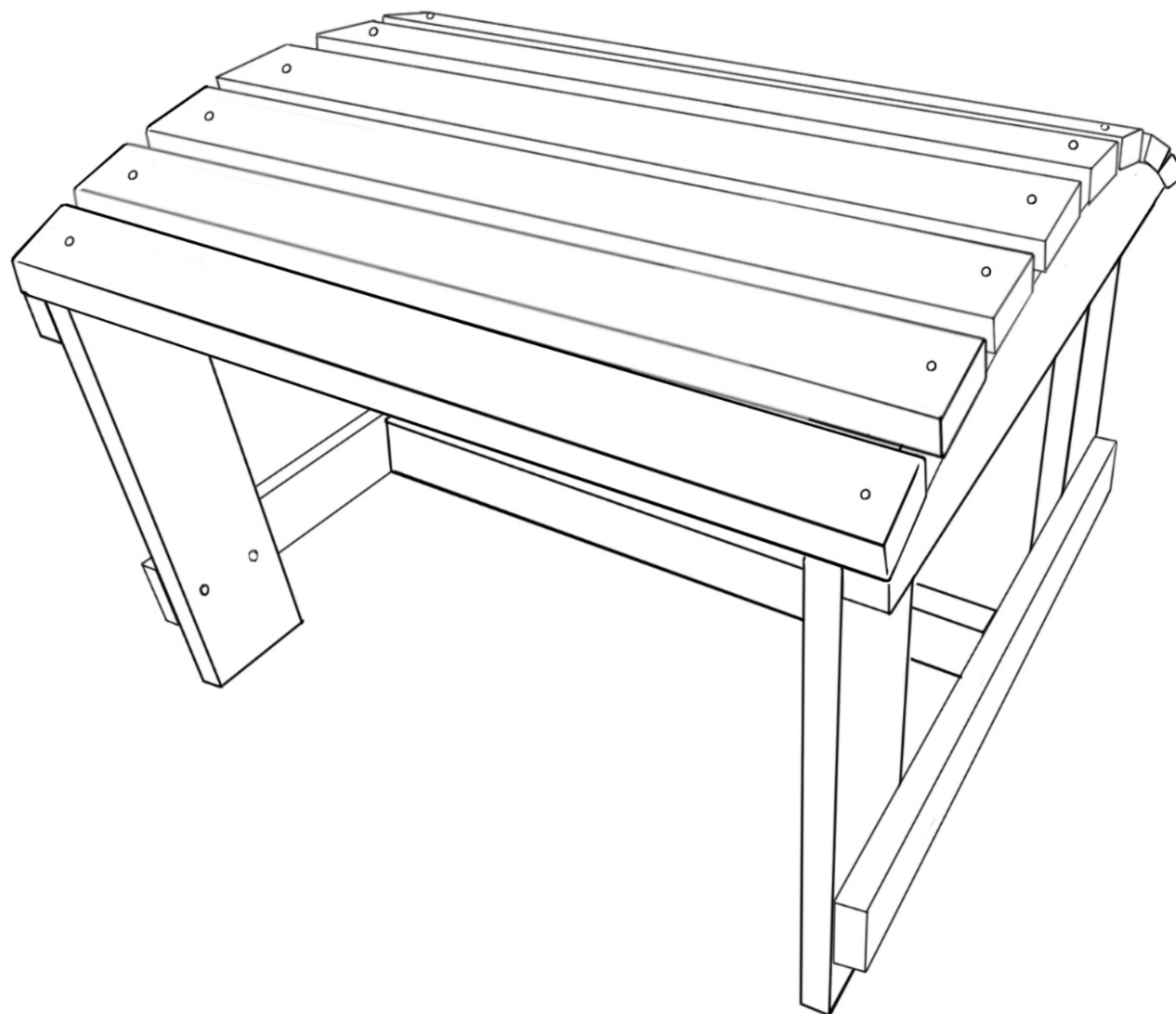
Please read this before beginning assembly and follow instructions carefully

Important Safety Instructions:

- Please read this instruction carefully prior to assembly
- Please ensure all parts and hardware are available in the package prior to assembly
- Use the parts and hardware lists to identify each component included
- Save all packaging material until the completion to avoid any accidental discarding of smaller parts or hardware
- It is recommended to install the product by one people


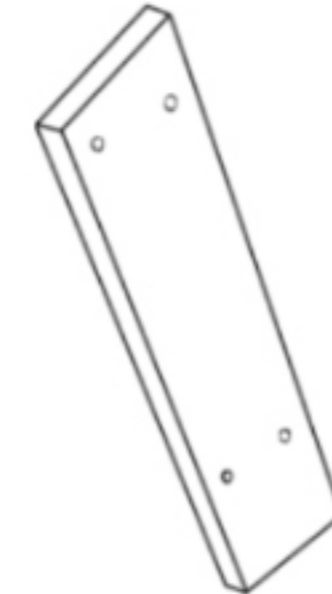


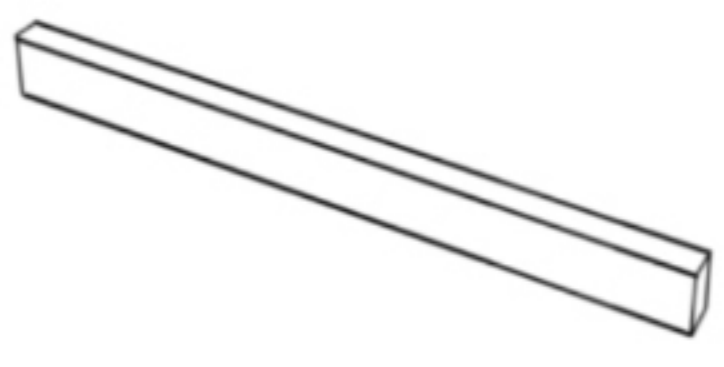
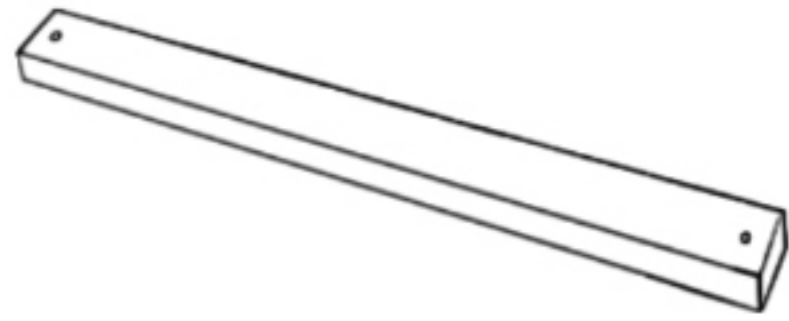
Assembly tips:

- Please align pre-drilled holes accurately during installation
- Please insert screws in the right angle (90 degrees)
- This product can be damaged if parts are not correctly assembled




THANK YOU FOR PURCHASING

PARTS LIST

TOP SIDE CROSS BEAM	2PCS		A
LEG	2PCS		B1
LEG	2PCS		B2
SIDE CROSS BEAM	2PCS		C
CROSS BEAM	1PC		D
SEAT SLATS	8PCS		E

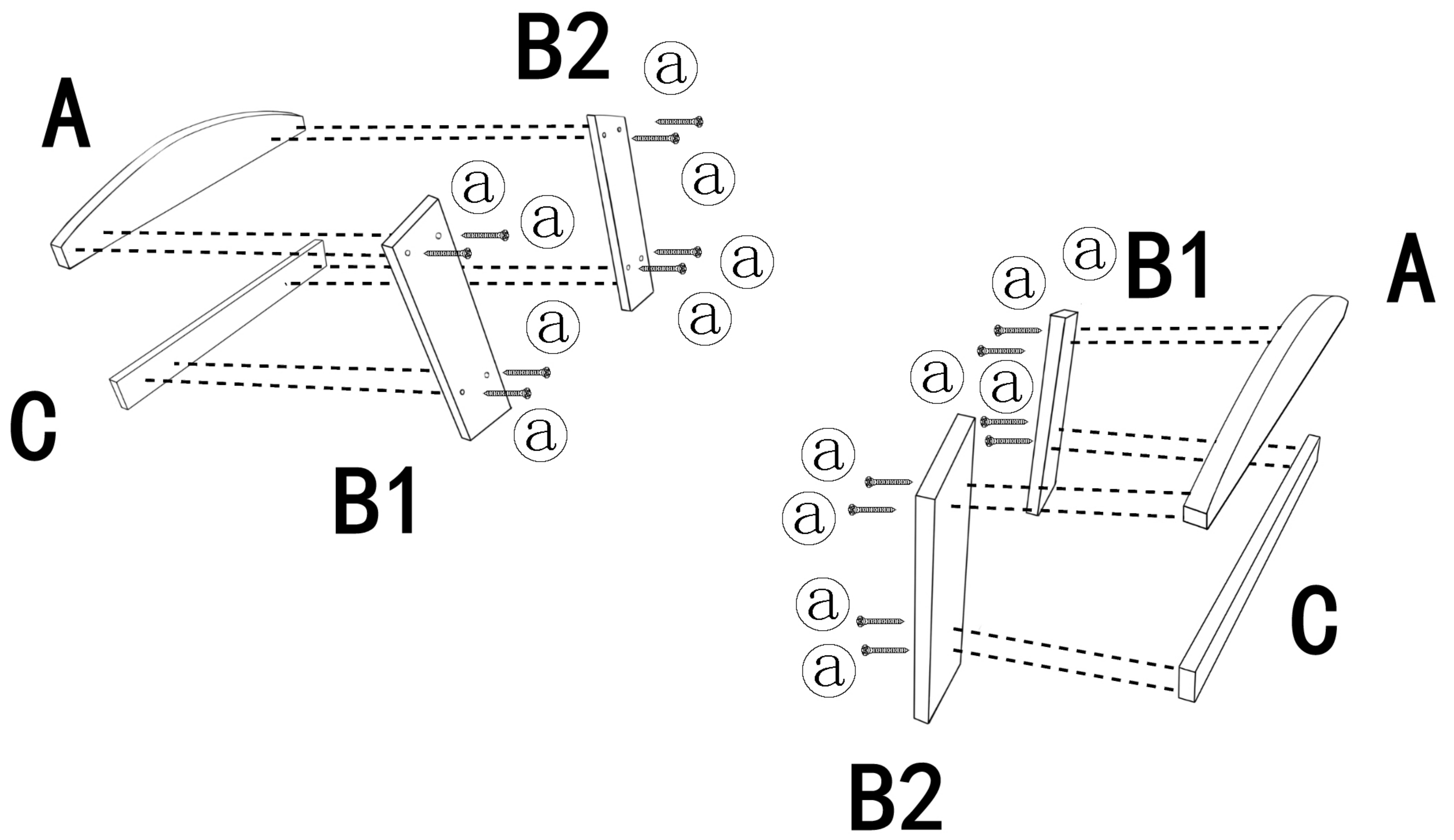
HARDWARE LIST

Ⓐ		BOLT	36 PCS
---	--	------	--------

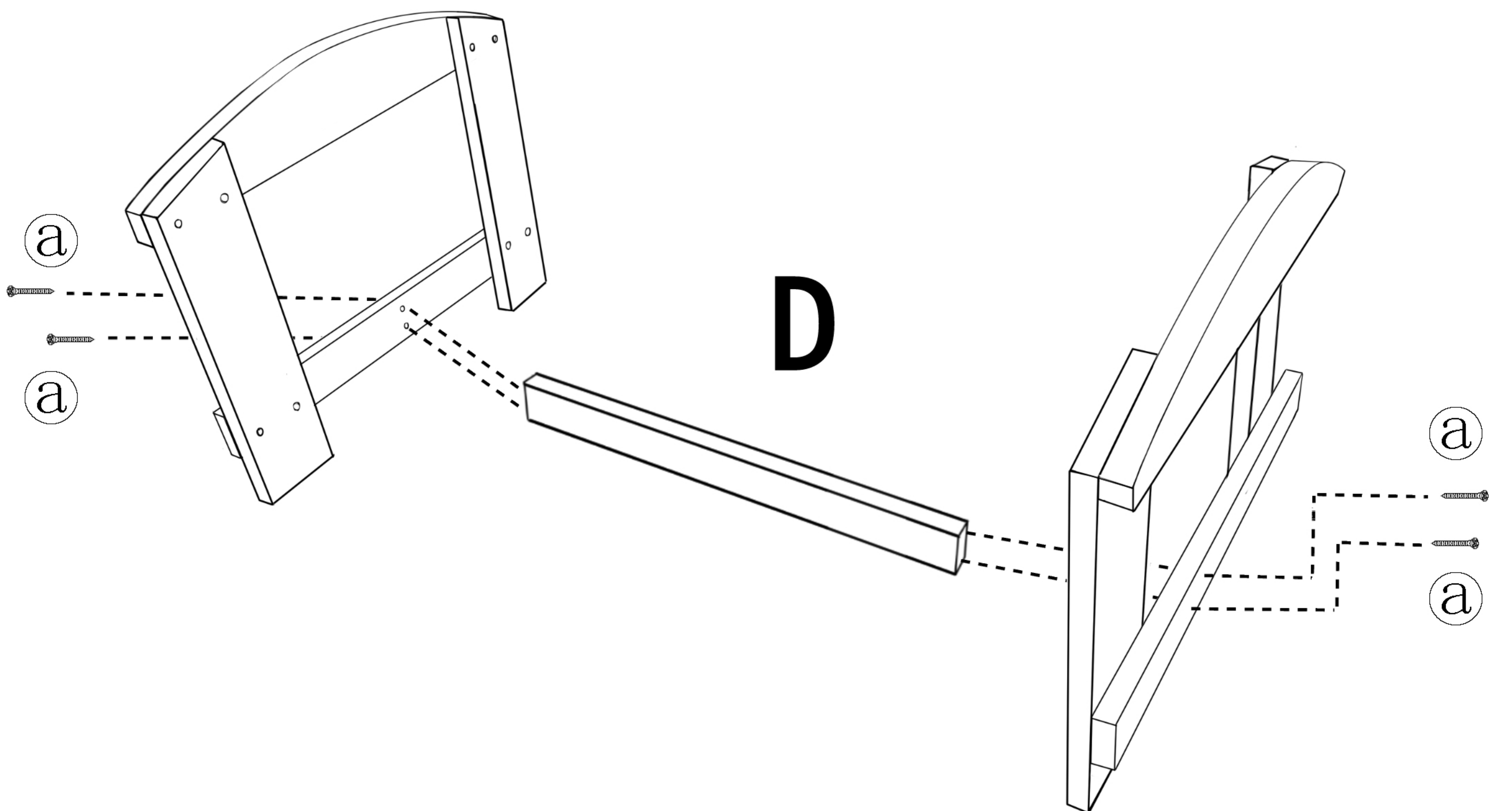
TOOLS REQUIRED (not included):

> Driller with Cross Head Bit or Philips screwdriver

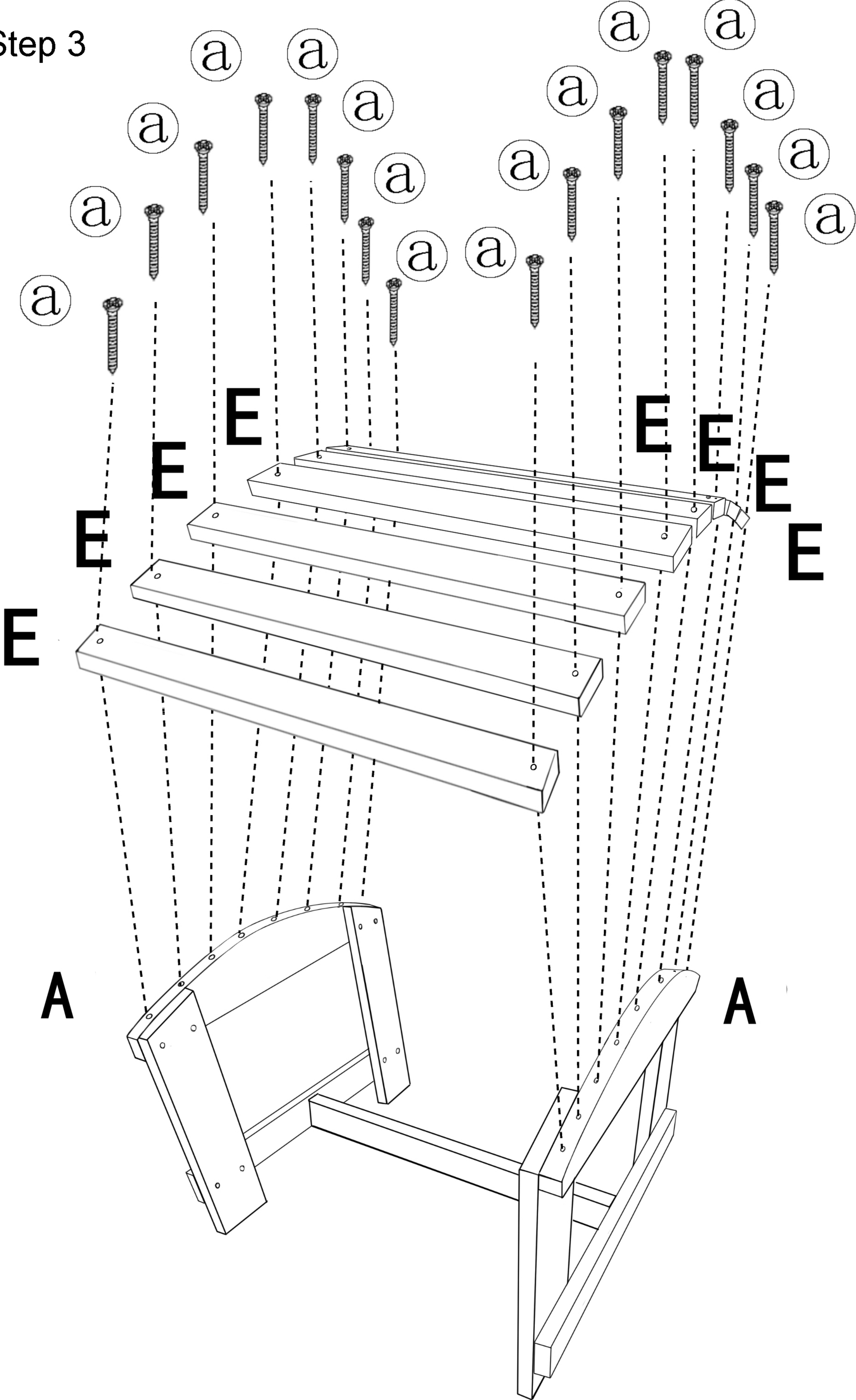
Step 1

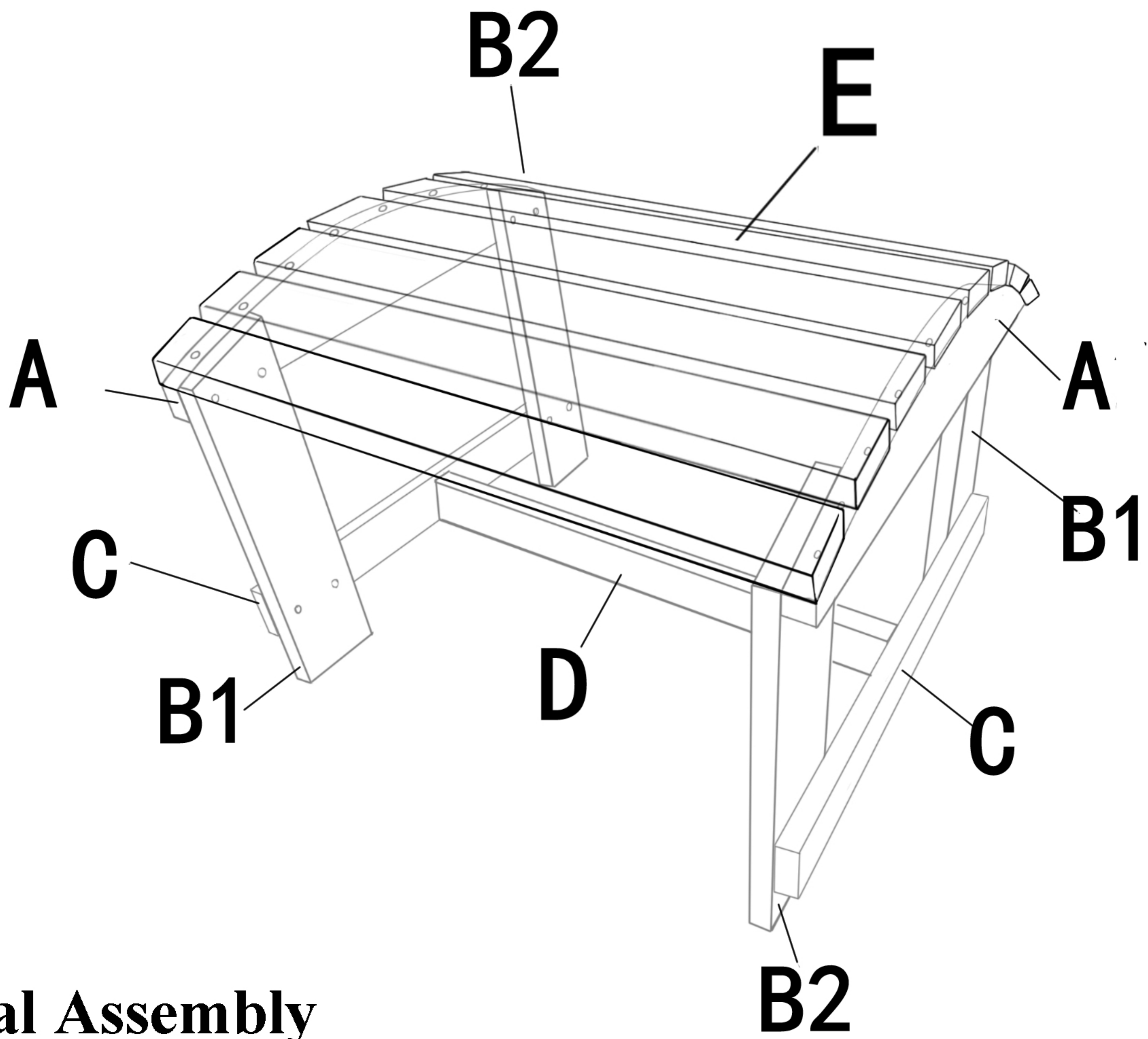


Step 2



Step 3





Final Assembly

