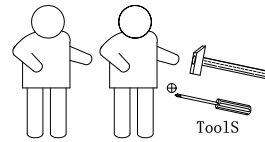
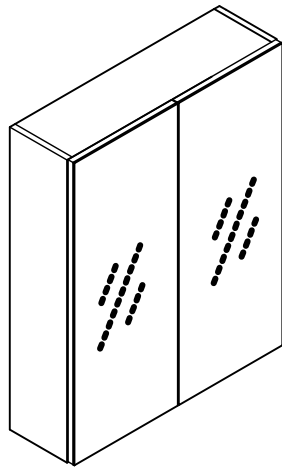
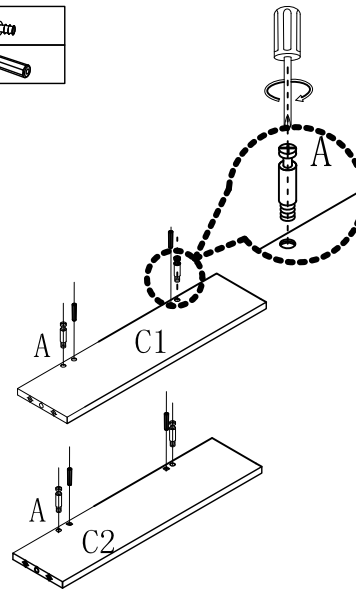


# Assembly Instructions



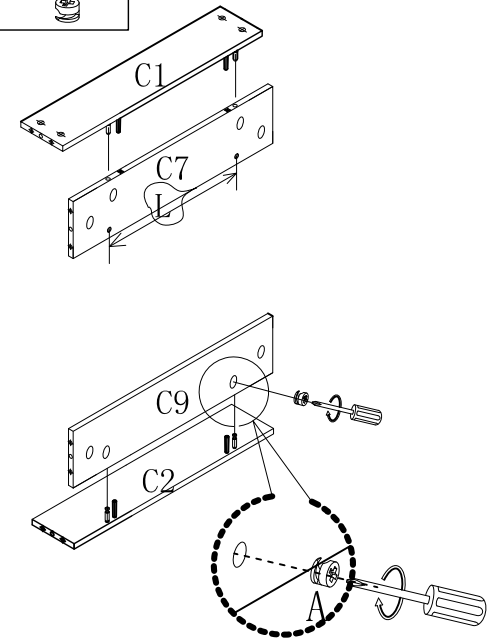
## Step: 1

- A=4
- C=4



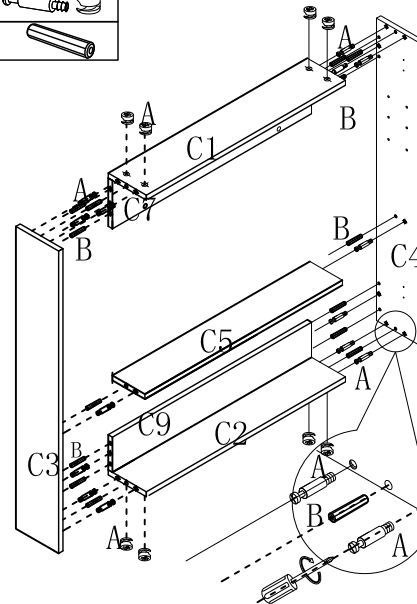
## Step: 2

- A=4



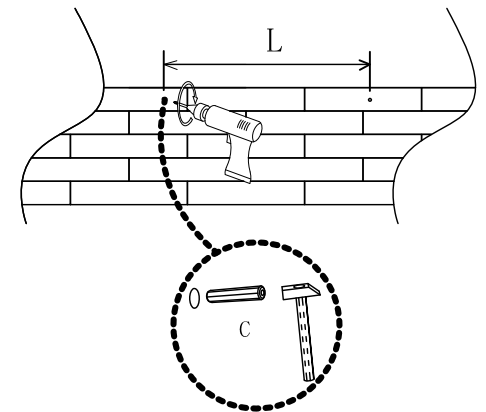
## Step: 3

- A=16
- B=14

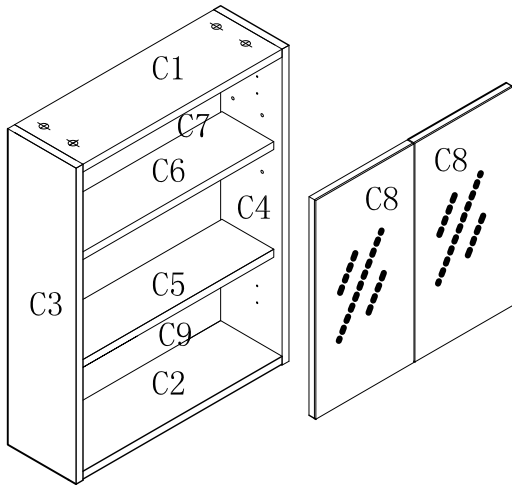


## Step: 4

- C=2



### Part List / Figure List





### Furniture board listing

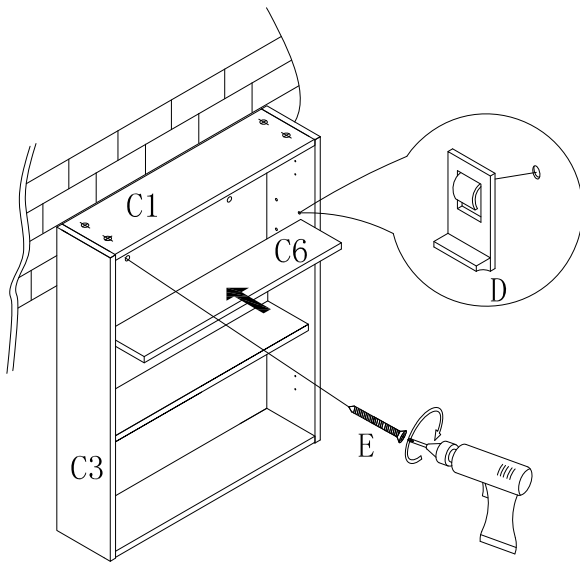
C1=1		C5=1	
C2=1		C6=1	
C3=1		C7=1	
C4=1		C8=2	
C9=1			

### Hardware List / Fitting



A=20	B=18	C=2	D=4	E=2	F=4	G=24	H=12
	Dowel- ø 8*30mm	ø 6*30mm		ø 6*50mm		ø 4*14mm	ø 18*0.5

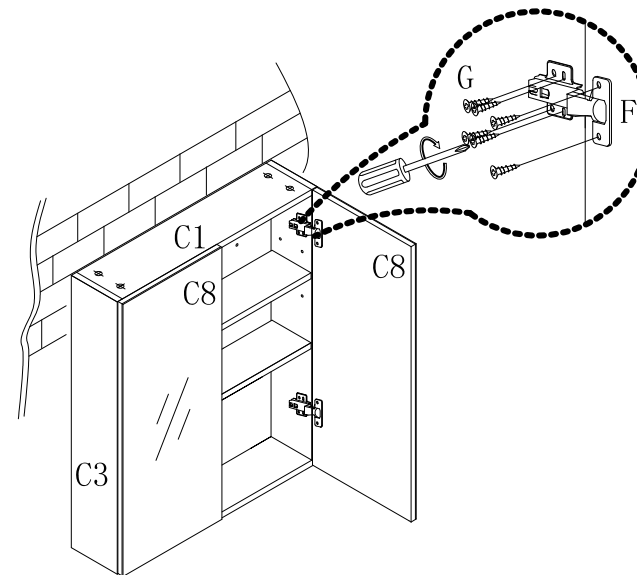
Step: 5

- D=4 
- E=2 



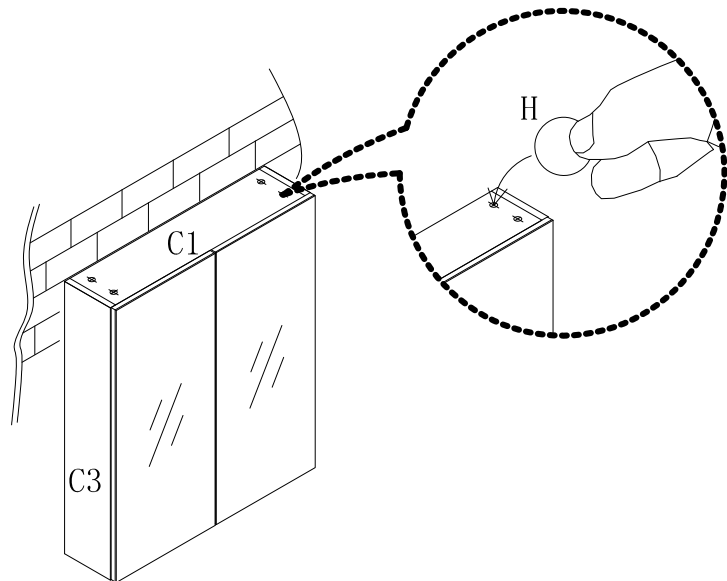
Step: 6

- F=4 
- G=24 

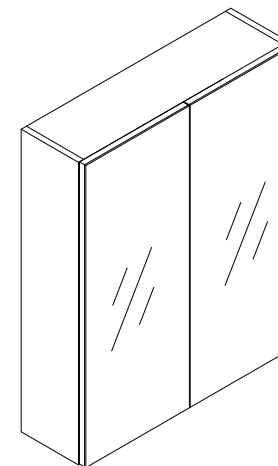


Step: 7

- H=12 



Step: 8



**OK!**