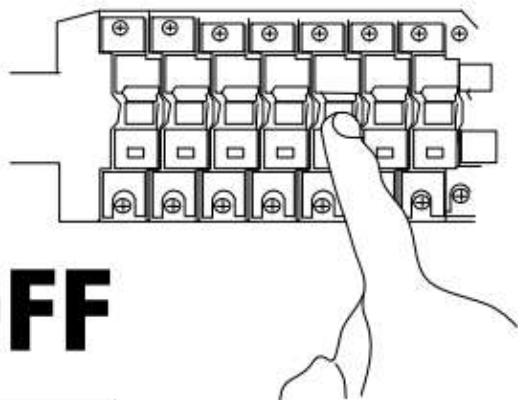


# Installation

1



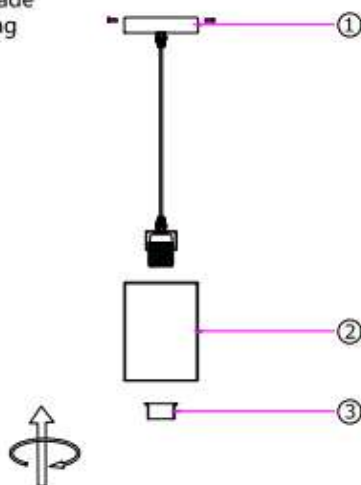
## OFF

### STEPS

Turn off the power

2

- ① E26 lamp holder + ceiling plate combination
- ② glass lampshade
- ③ Metal lock ring

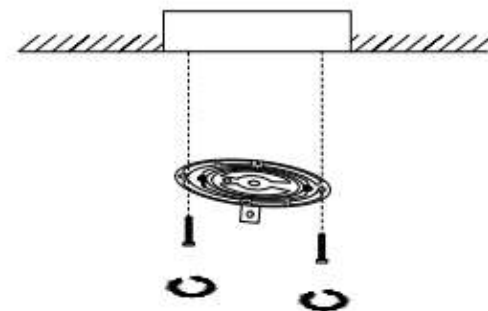


### STEP

1. Secure the glass lampshade and E26 lamp holder with a metal lock ring.

And then proceed to the next step, as shown in Figure 3

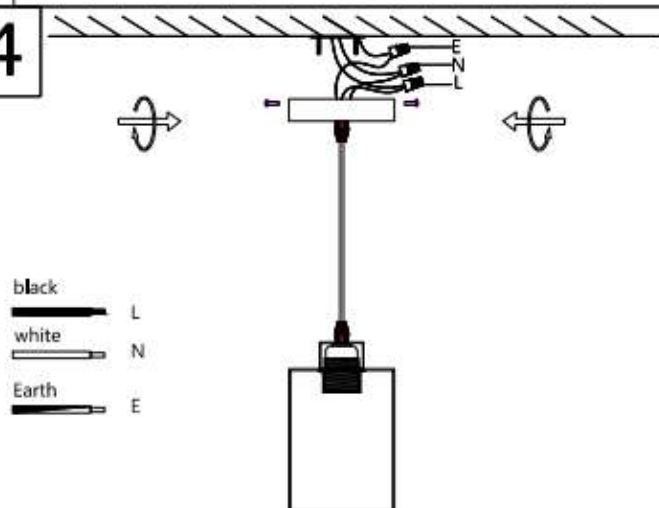
3



### STEP

Install the hanging board on the ceiling, and then proceed to the next step, as shown in Figure 4

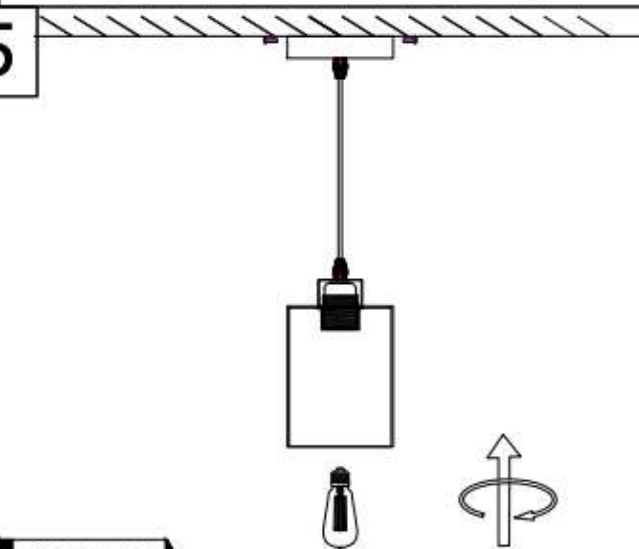
4



### STEPS

1. Connect the power wire of lamp body to the reserved Power cable, pay attention to the positive and negative poles
2. Fix the lamp body on the ceiling with nuts

5



### STEPS

1. Finally, tighten the E26 bulb to complete the installation.
- 2./
- 3./

## Caution:

Advertencia:

1. Voltage: 110V-130V
2. Bulb Model: E26 / MAX-60W (not include)
3. Before installation, please check whether the accessories are complete, If you have any problem, please contact our customer service in time
4. Before installation, please cut off the power supply to prevent electric shock.
5. Please be sure the installation according to the company's instructions.



Screw



Wire connector



Instruction