




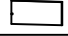


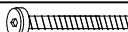



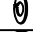


# ASSEMBLY INSTRUCTIONS

Dimension: 60''L \* 40''W \* 30''H

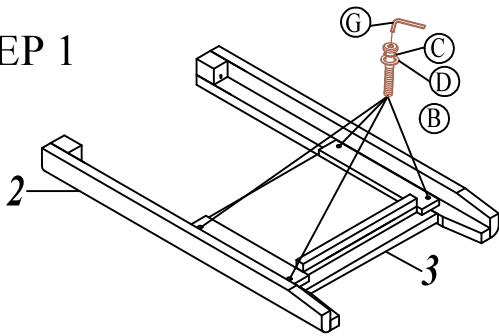
Item No: F2460

Description: Dining Table

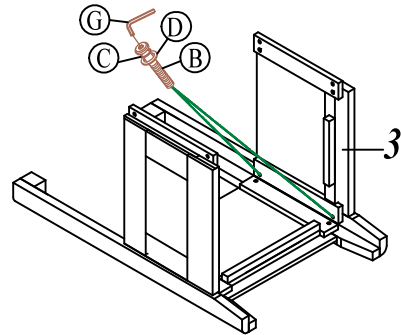
No	Description	Q'TY
1	TABLE TOP 	1pc
2	TABLE LEG 	4pcs
3	BASE SIDE PANEL 	4pcs
4	TOP FLOOR SHELF 	1pc
5	BOTTOM PANEL 	1pc
6	DOOR ASSEMBLY 	2pcs

No	Description	Q'TY
A	BOLT 	4pcs
B	BOLT 	16pcs
C	LOCK WASAER 	16pcs
D	METAL WASHER 	16pcs
E	LOCK WASHER 	4pcs
F	METAL WASHER 	4pcs
G	ALLEN KEY 	1pc

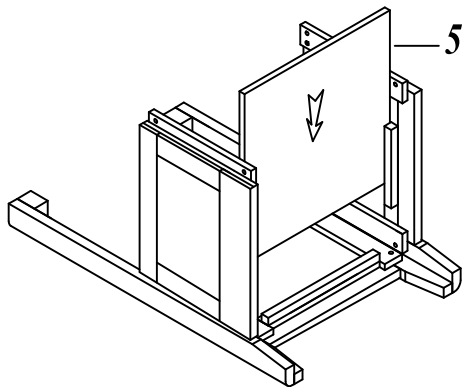
## STEP 1



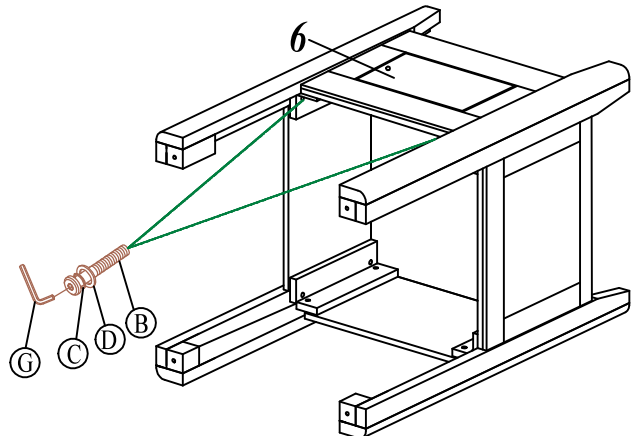
## STEP 2



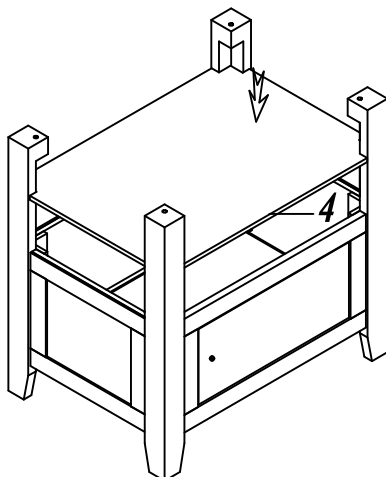
## STEP 3



## STEP 4



## STEP 5



## STEP 6

