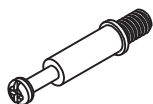
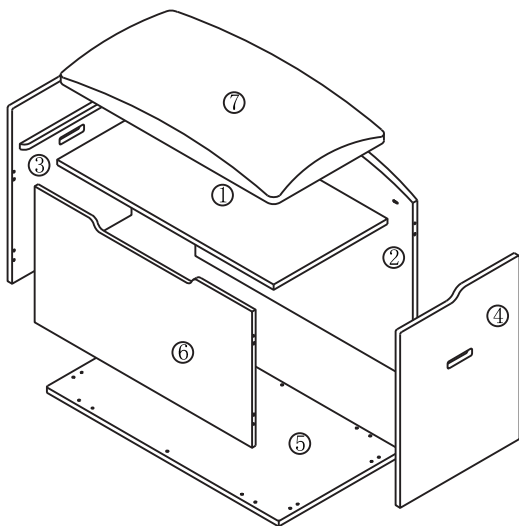


**USER'S MANUAL**  

---

**Toy Storage Box**



Ax8



Bx8



4X40mm  
Cx10



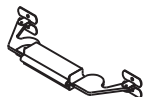
Dx16



Ex3



3X12mm  
Fx18



Gx2



4X12mm  
Hx8

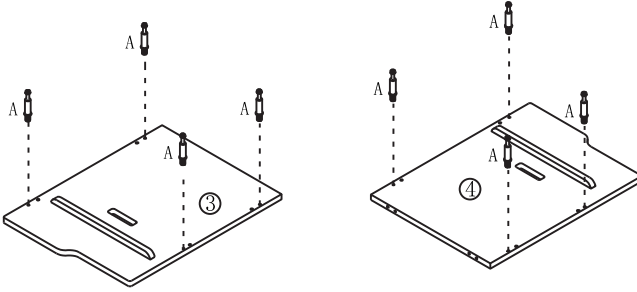


Ix6

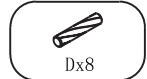
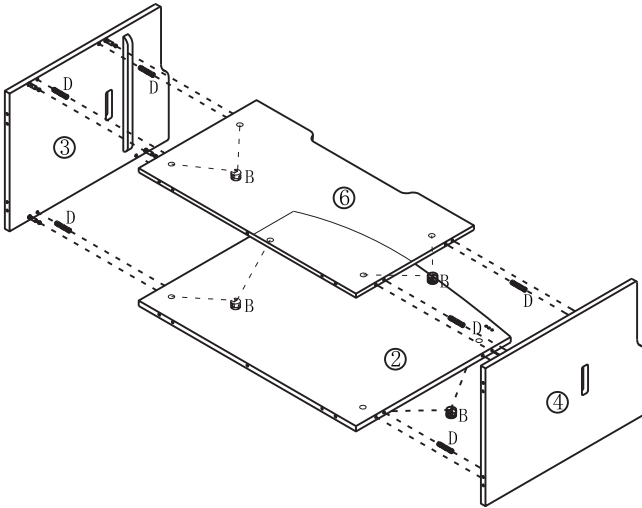


Jx2

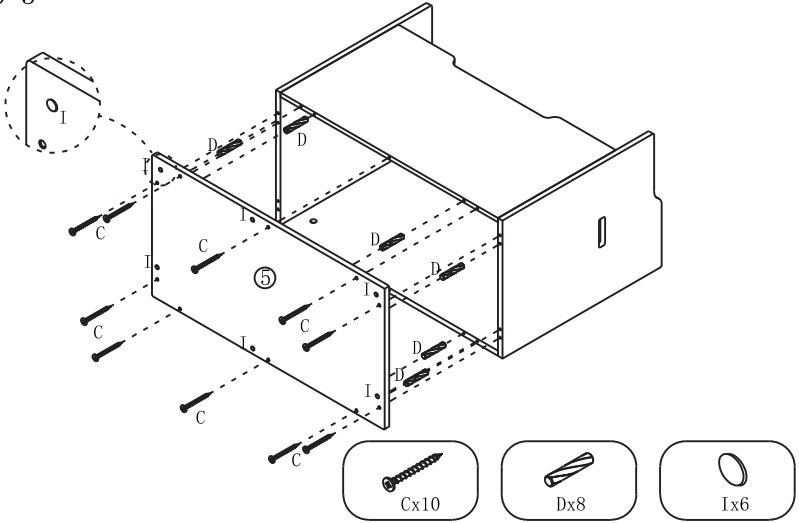
Step 1



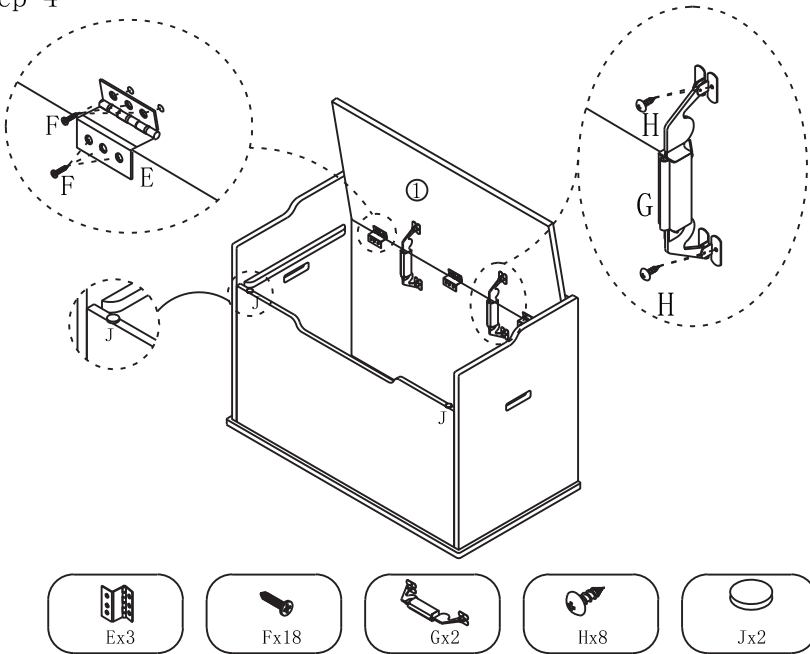
Step 2



Step 3



Step 4



---

Step 5

